



US00D818343S

(12) **United States Design Patent** (10) **Patent No.:** **US D818,343 S**
Ignarra (45) **Date of Patent:** **** May 22, 2018**

(54) **TIRE CARRIER**
(71) Applicant: **Paramount Restyling Automotive Inc.**,
Ontario, CA (US)
(72) Inventor: **Ricardo Santiago Ignarra**, Ontario,
CA (US)
(73) Assignee: **PARAMOUNT RESTYLING**
AUTOMOTIVE INC., Ontario (CA)

8,061,753 B2 11/2011 Papanikolaou et al.
D652,706 S 1/2012 Osaki
8,528,976 B2 9/2013 Wimberley
D698,224 S 1/2014 Ridges
D730,794 S 6/2015 Ridges
D748,450 S * 2/2016 Ganter D8/323
D758,829 S * 6/2016 Bennett D8/328
D773,110 S * 11/2016 Eboli B60R 11/00
D26/138
D775,932 S * 1/2017 van Hillo D8/349

(**) Term: **15 Years**

(21) Appl. No.: **29/565,596**

(22) Filed: **May 23, 2016**

(51) **LOC (11) Cl.** **08-06**

(52) **U.S. Cl.**
USPC **D8/328**

(58) **Field of Classification Search**
USPC D8/354, 349, 363, 452; D26/24, 39, 59,
D26/67-74
CPC A22B 5/00; E05D 5/12; E05D 1/02; A22C
17/00
See application file for complete search history.

(56) **References Cited**

U.S. PATENT DOCUMENTS

3,387,406 A 6/1968 Coker et al.
5,000,503 A 3/1991 Bematek
5,052,729 A 10/1991 Huber
D355,632 S 2/1995 Padgett
D424,005 S 5/2000 Henry
D473,835 S 4/2003 Roehmer et al.
D505,469 S 5/2005 Kenney
6,938,941 B2 9/2005 Thiele et al.
D548,044 S 8/2007 Tang
D560,470 S * 1/2008 Short D8/354
D562,206 S 2/2008 Newbill
7,651,141 B2 1/2010 Kraenzle
D609,619 S 2/2010 Newbill
D633,024 S 2/2011 Harriton

OTHER PUBLICATIONS

Amazon page printed on Oct. 6, 2016 showing "Rugged Ridge" HD
Tire Carrier Kit for Jeep JK Wrngler.

* cited by examiner

Primary Examiner — John Windmuller
Assistant Examiner — Benjamin M Weeks
(74) *Attorney, Agent, or Firm* — Myers Andras LLP;
Joseph C. Andras

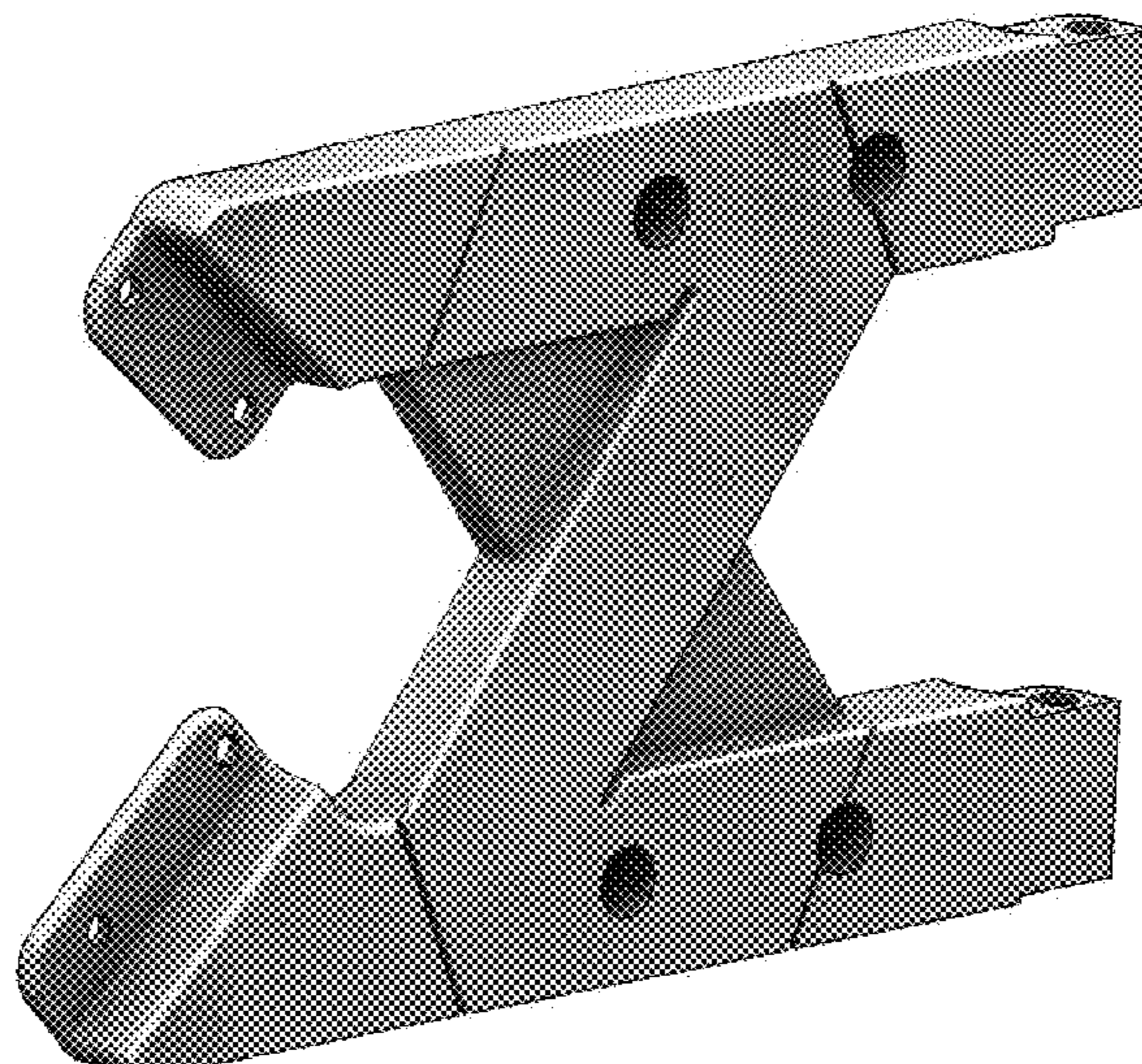
(57) **CLAIM**

The ornamental design for a tire carrier, as shown and
described.

DESCRIPTION

FIG. 1 is a left front perspective view of the tire carrier
according to my design;
FIG. 2 is a right front perspective view of the tire carrier;
FIG. 3 is a front elevational view of the tire carrier;
FIG. 4 is a back elevational view of the tire carrier;
FIG. 5 is a top view of the tire carrier;
FIG. 6 is a bottom view of the tire carrier;
FIG. 7 is a left view of the tire carrier; and,
FIG. 8 is a right view of the tire carrier.
The surface shading is provided to show the contour of all
surfaces, i.e. the shape of the design. It is not intended to
represent any particular material or visible surface pattern.

1 Claim, 6 Drawing Sheets



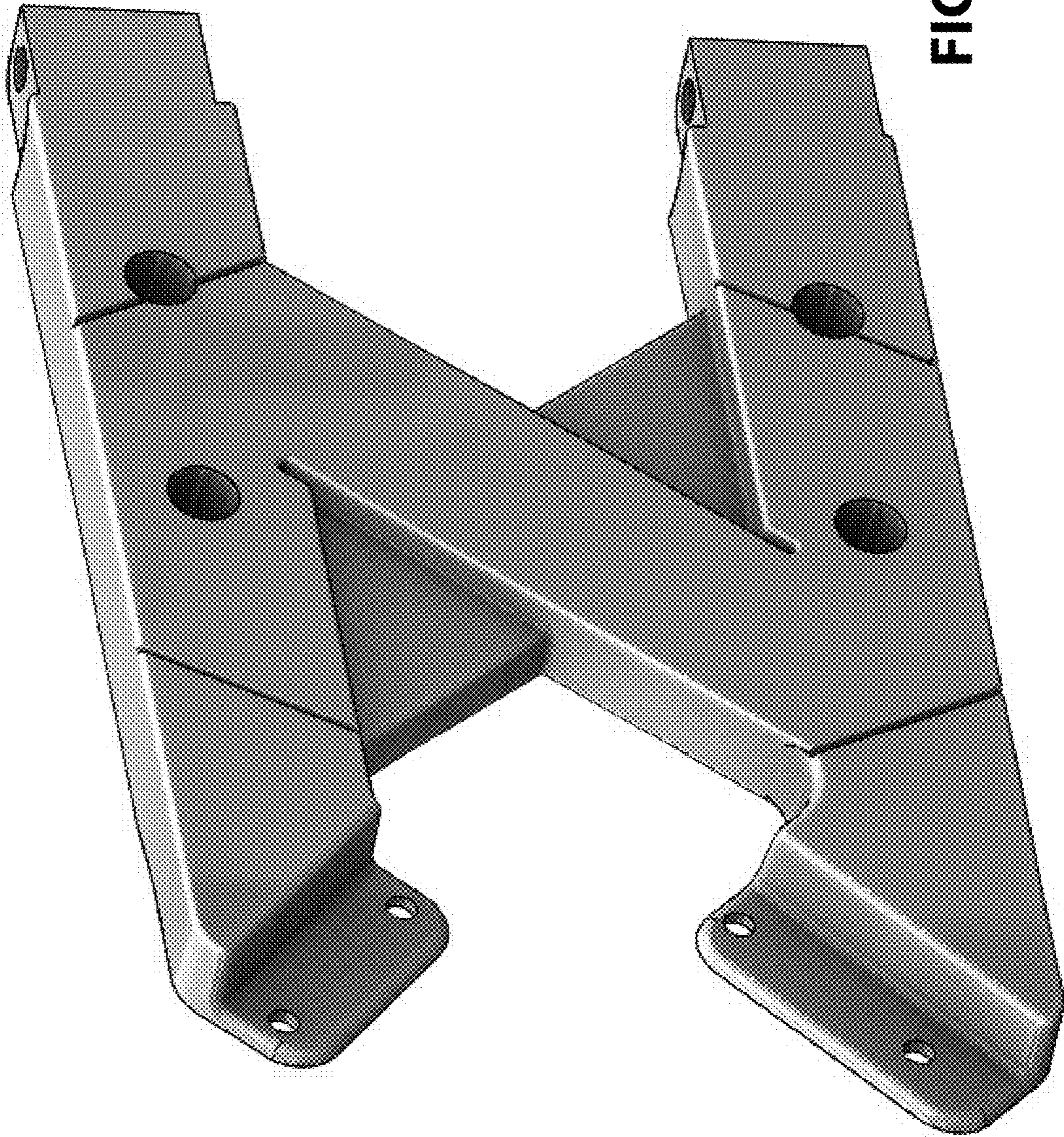
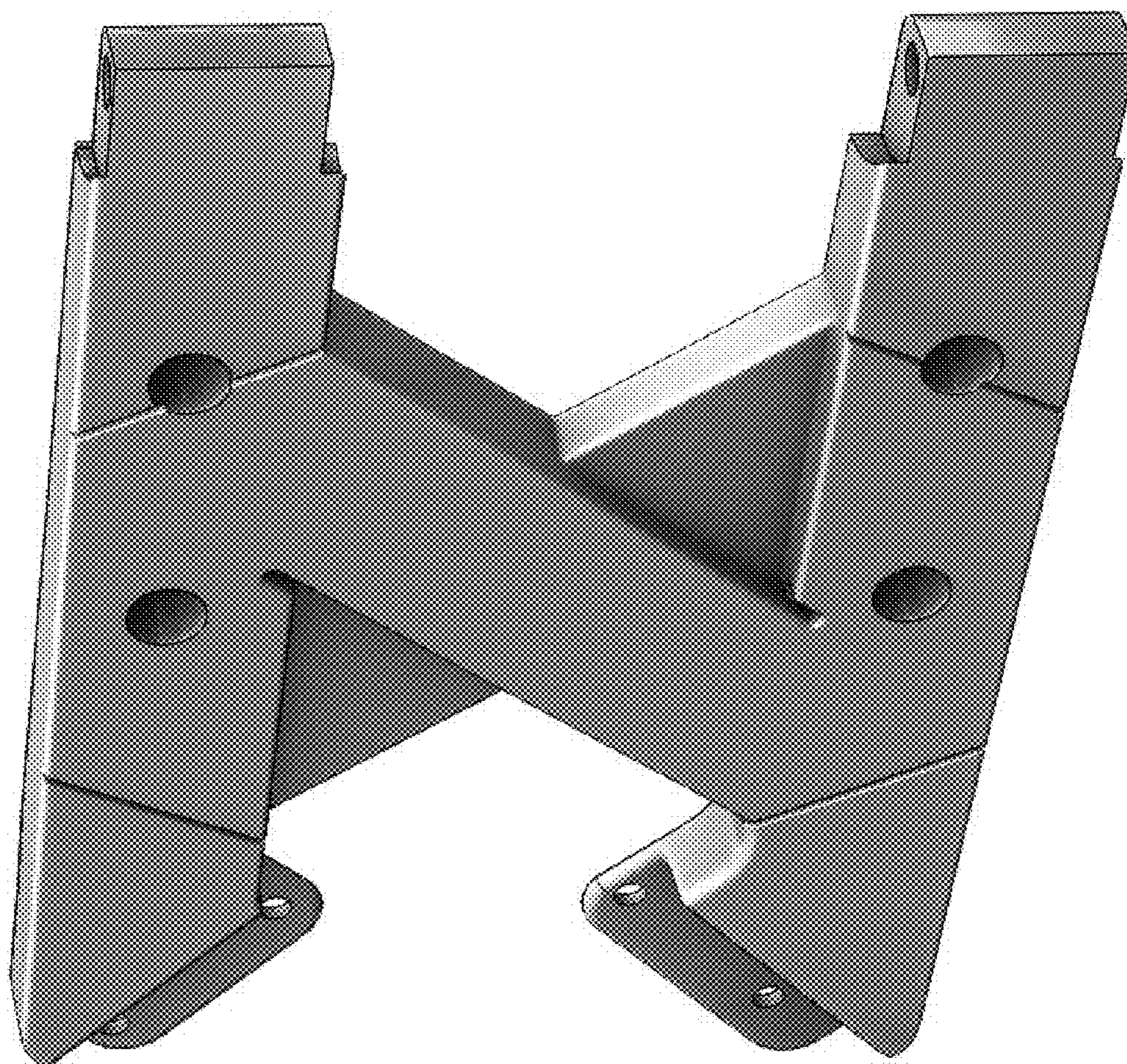


FIG. 1

FIG. 2



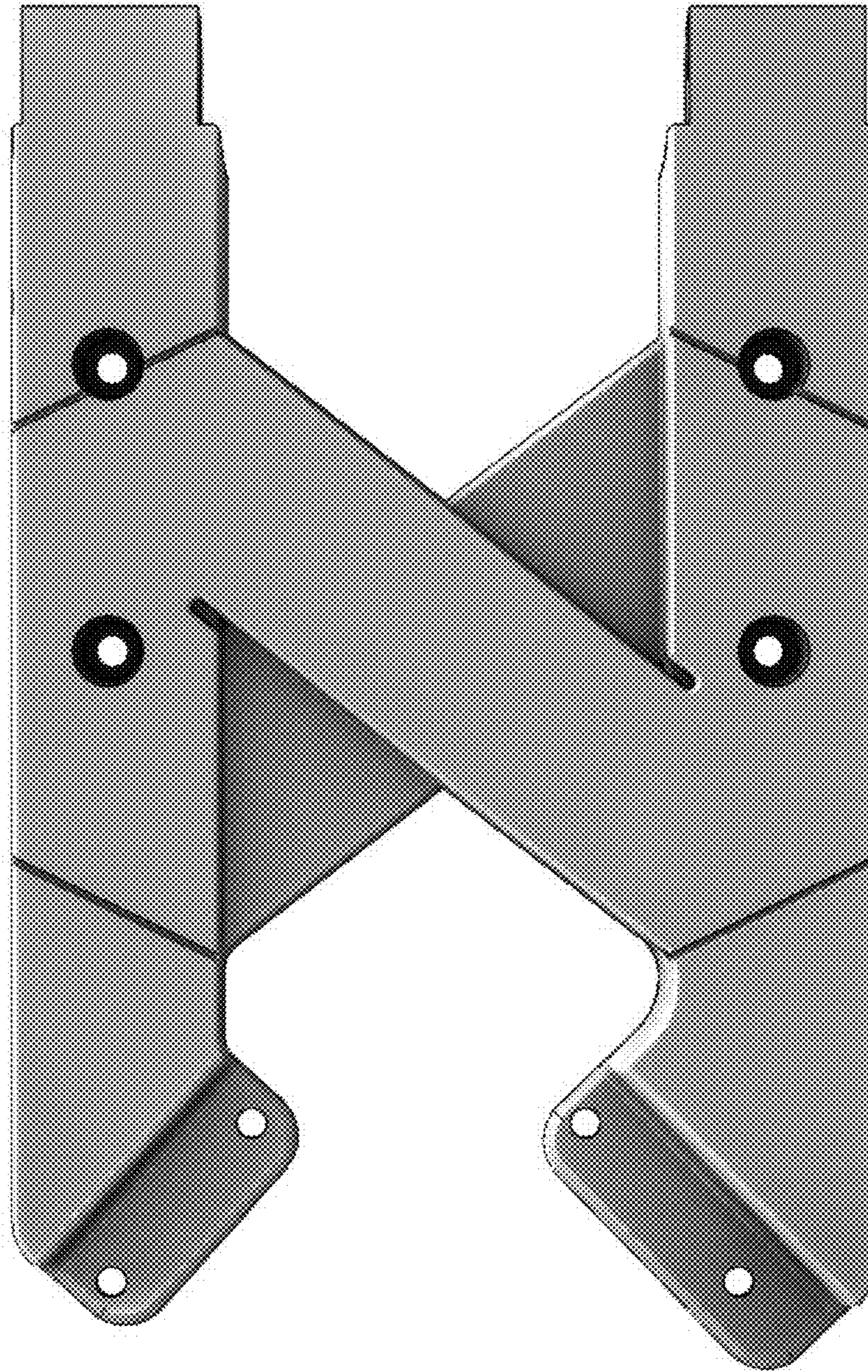


FIG. 3

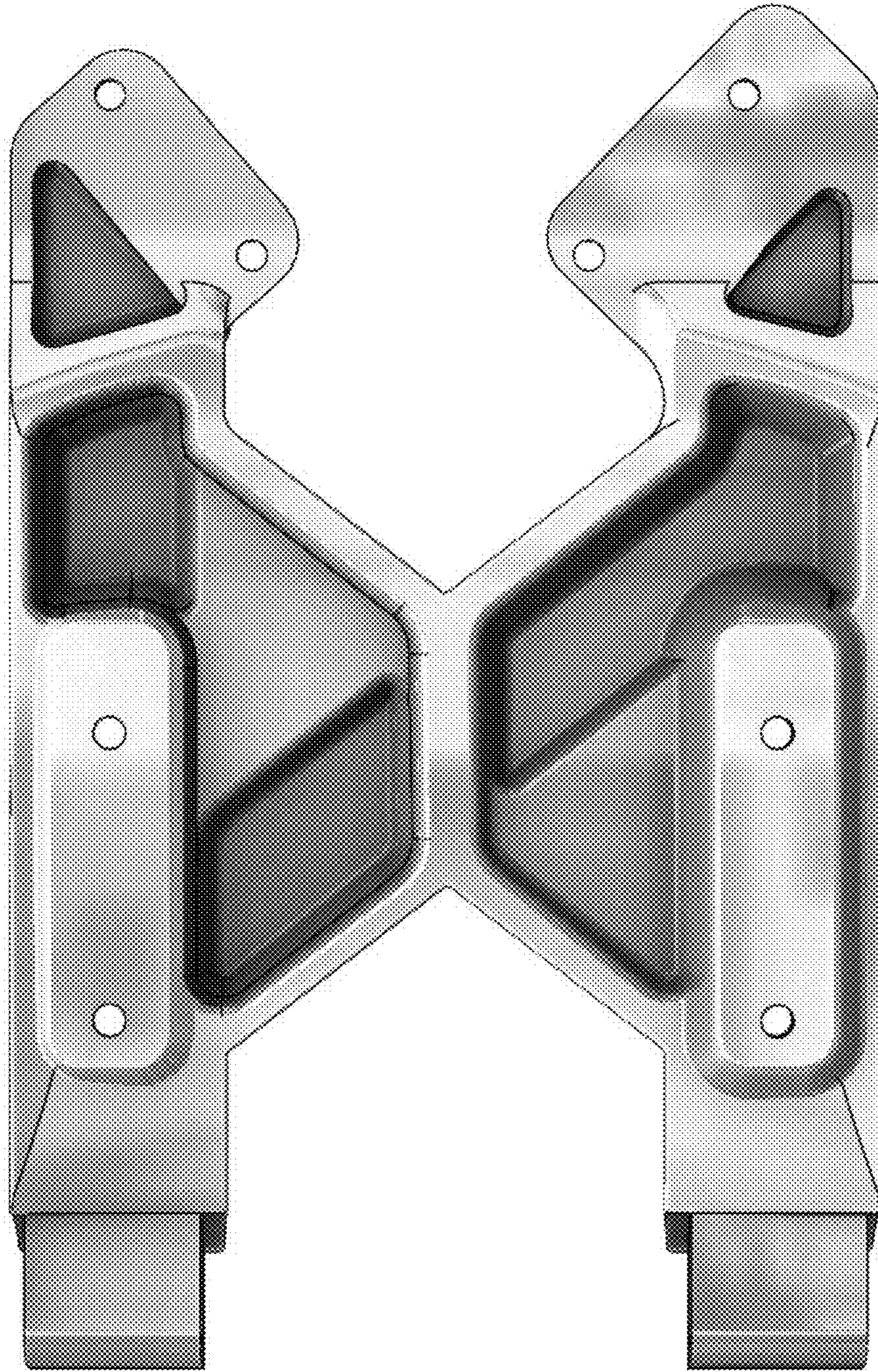


FIG. 4

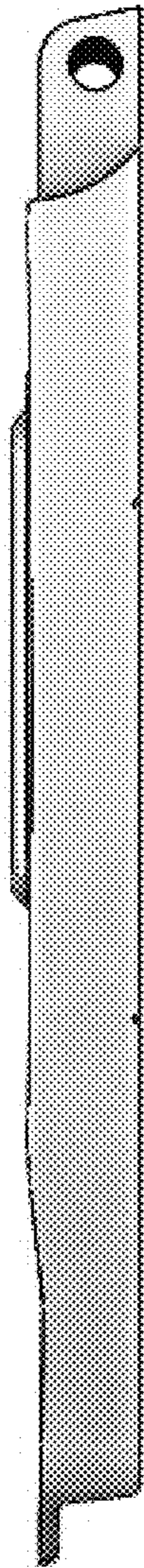


FIG. 5

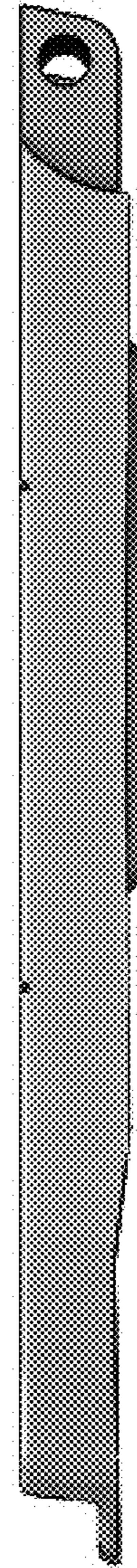


FIG. 6

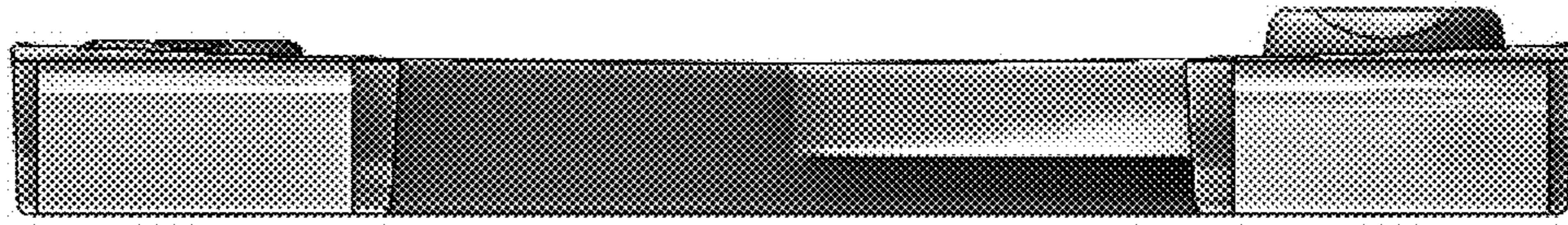


FIG. 8

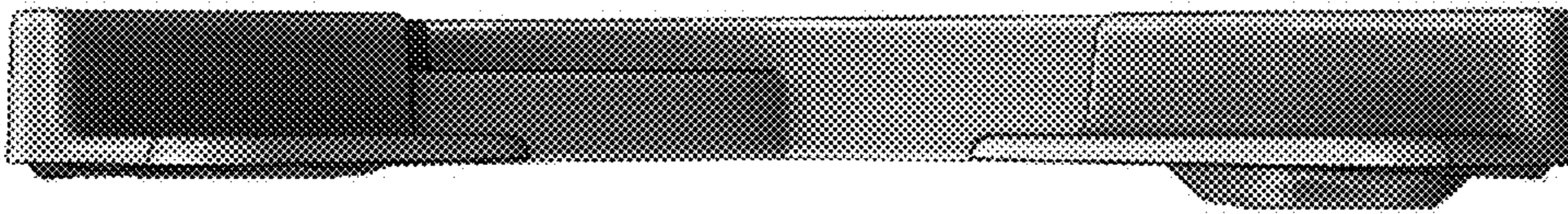


FIG. 7