



US00D818342S

(12) **United States Design Patent**  
**Graham**

(10) **Patent No.:** **US D818,342 S**

(45) **Date of Patent:** **\*\* May 22, 2018**

(54) **COUNTERBALANCE**

(71) Applicant: **Weber Knapp Company**, Jamestown, NY (US)

(72) Inventor: **Daniel M. Graham**, Ashville, NY (US)

(73) Assignee: **Weber Knapp Company**, Jamestown, NY (US)

(\*\*) Term: **15 Years**

(21) Appl. No.: **29/573,029**

(22) Filed: **Aug. 2, 2016**

(51) **LOC (11) Cl.** ..... **08-06**

(52) **U.S. Cl.**  
USPC ..... **D8/323**

(58) **Field of Classification Search**  
USPC ..... D10/46; D8/323, 325, 327, 328, 329  
CPC ..... E05D 1/04; E05D 11/1014; E05B 73/007;  
E05B 65/50; E05C 17/365; E05C 17/36;  
E05C 17/025; B21D 53/40  
See application file for complete search history.

(56) **References Cited**

**PUBLICATIONS**

[http://www.shopperschoice.com/item\\_item\\_2854886.html](http://www.shopperschoice.com/item_item_2854886.html);  
undated, last accessed Jun. 7, 2016.  
Viking Installation Guide, Viking Range Corporation, Greenwood, MI; C4 Outdoor Cooker Cart Assembly, created Apr. 23, 2008.

Design U.S. Appl. No. 29/563,068, filed May 2, 2016 and titled Counterbalance (unpublished).

*Primary Examiner* — Antoine Duval Davis  
(74) *Attorney, Agent, or Firm* — Simpson & Simpson, PLLC

(57) **CLAIM**

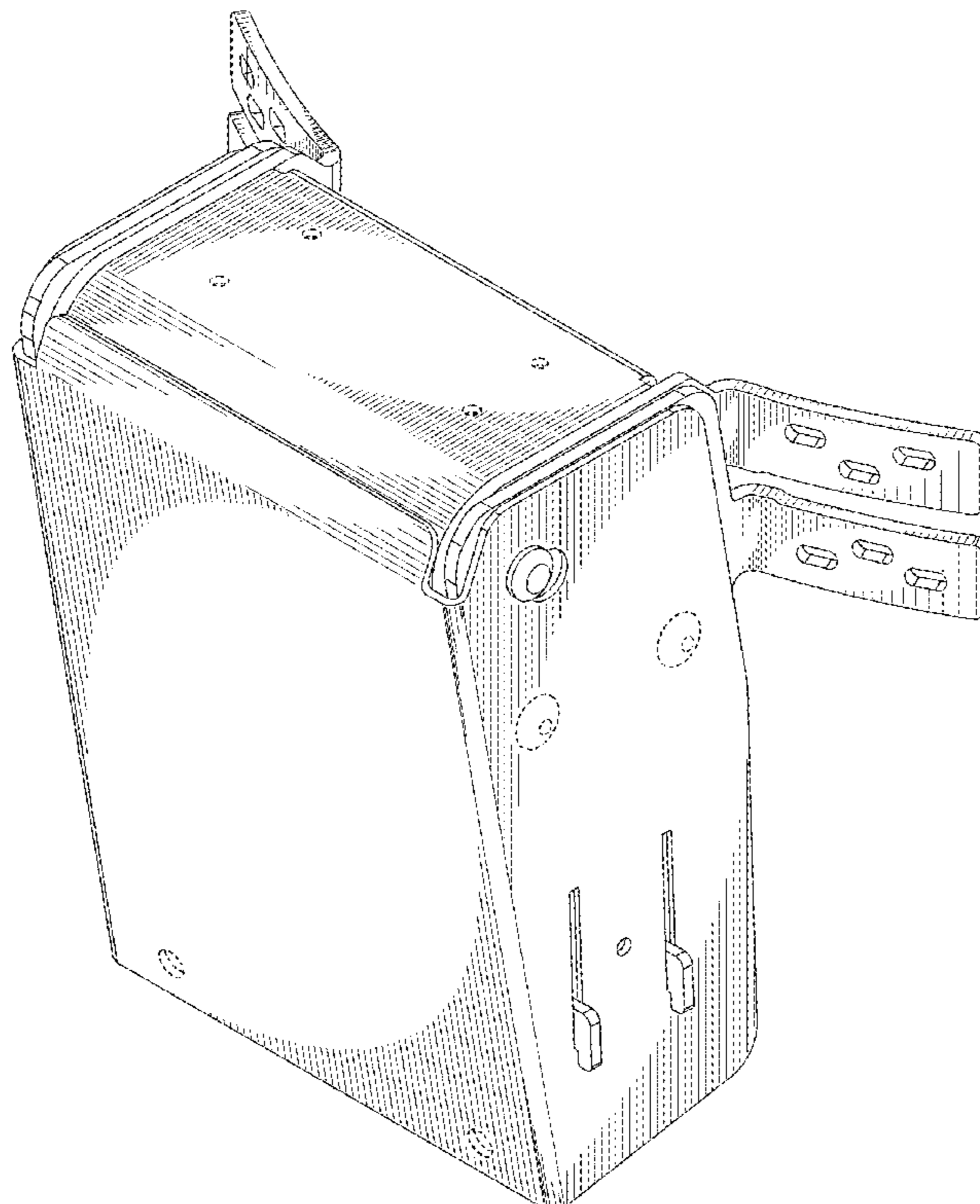
The ornamental design for a counterbalance, as shown and described.

**DESCRIPTION**

FIG. 1 is a front perspective view of the counterbalance of the present invention;  
FIG. 2 is a back perspective view of the counterbalance shown in FIG. 1;  
FIG. 3 is a front elevational view of the counterbalance shown in FIG. 1;  
FIG. 4 is a rear elevational view of the counterbalance shown in FIG. 1;  
FIG. 5 is a left side elevational view of the counterbalance shown in FIG. 1;  
FIG. 6 is a right side elevational view of the counterbalance shown in FIG. 1;  
FIG. 7 is a top plan view of the counterbalance shown in FIG. 1; and,  
FIG. 8 is a bottom plan view of the counterbalance shown in FIG. 1.

The broken line showings of fasteners, e.g., screws, rivets, nuts, bolts, etc., depicted in the figures are for the purpose of illustrating various fasteners, and form no part of the claimed design. The broken line showing of a spring assembly depicted in the figures is for the purpose of illustrating a linear actuator, and forms no part of the claimed design.

**1 Claim, 7 Drawing Sheets**



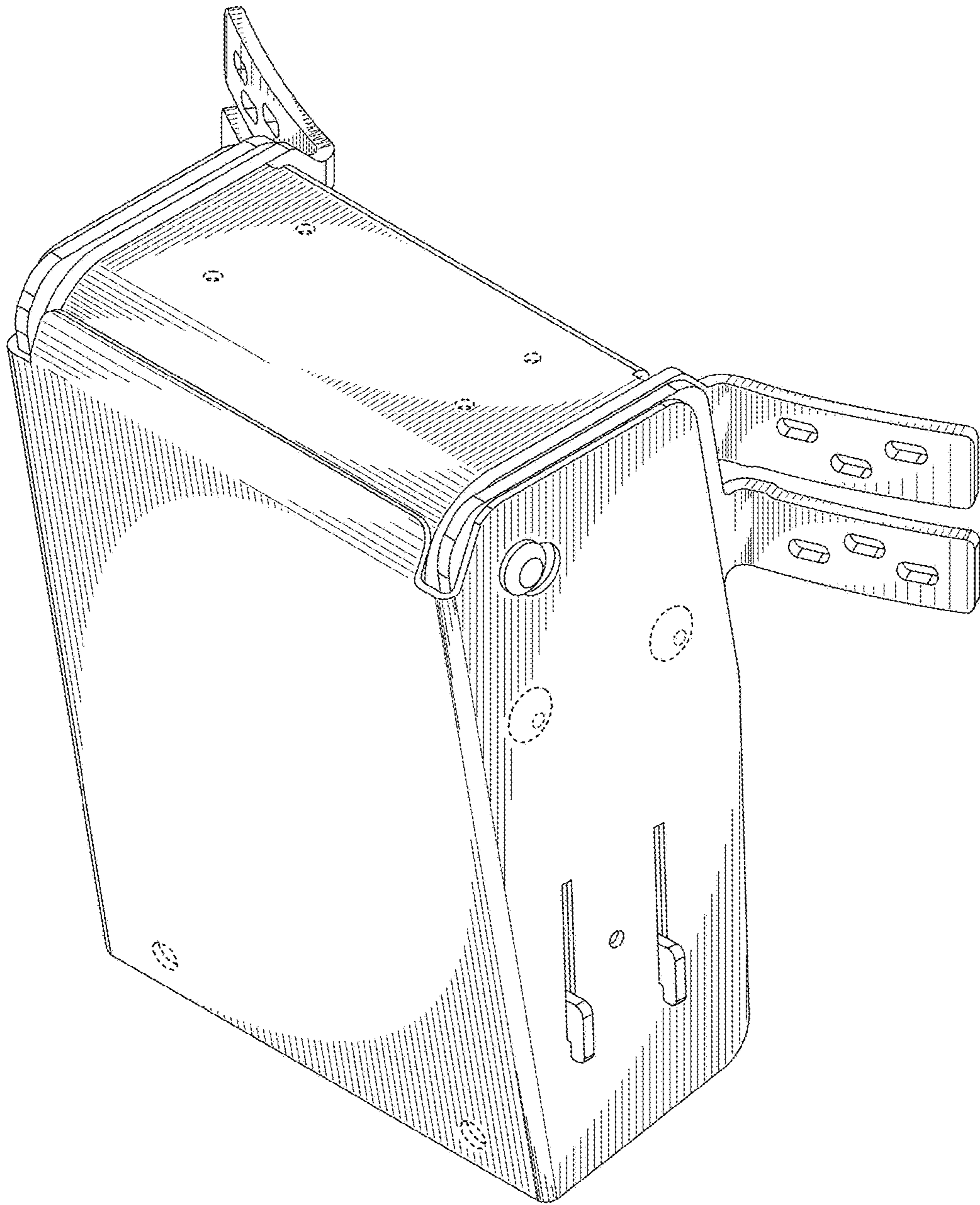


FIG. 1

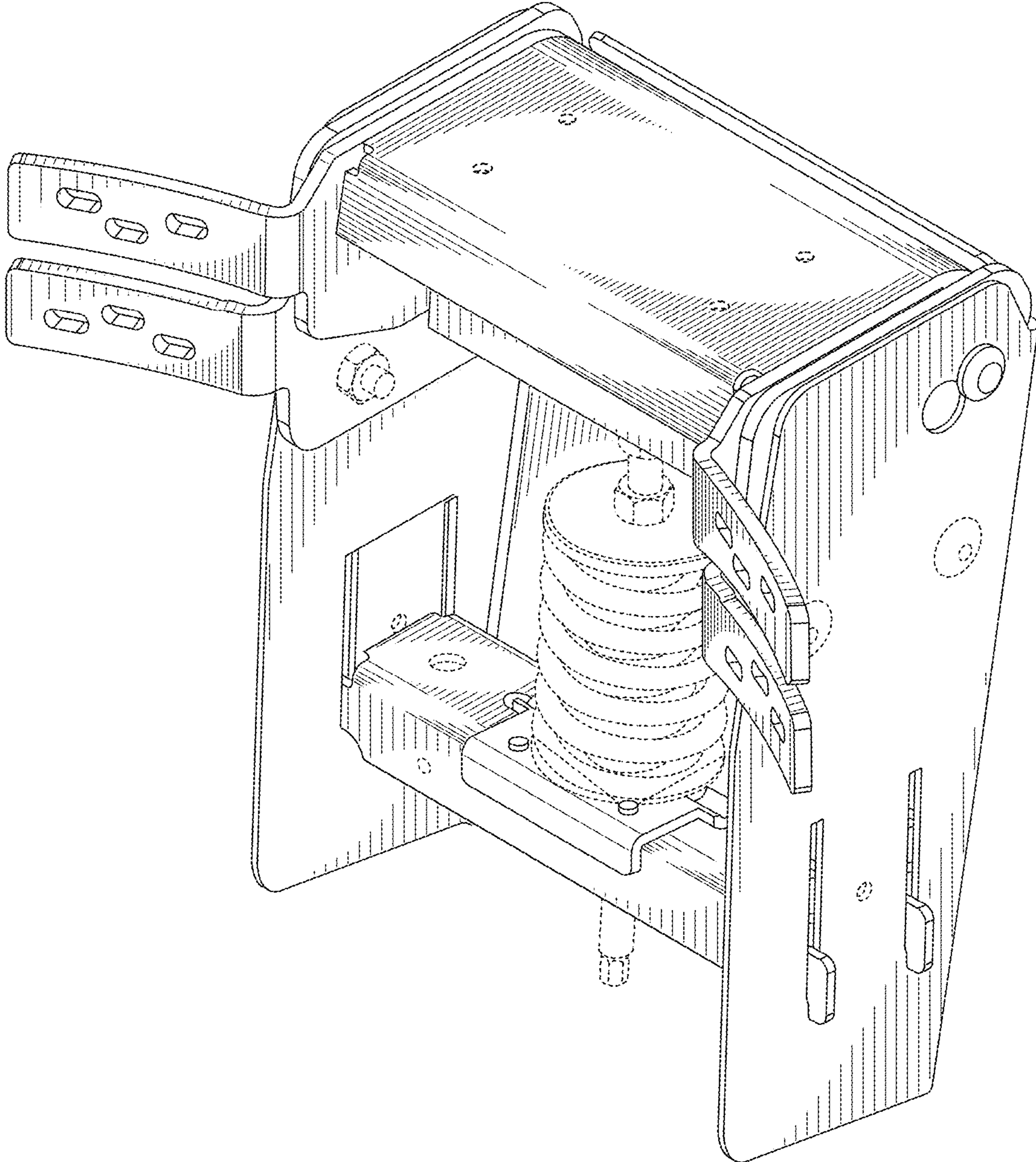


FIG. 2

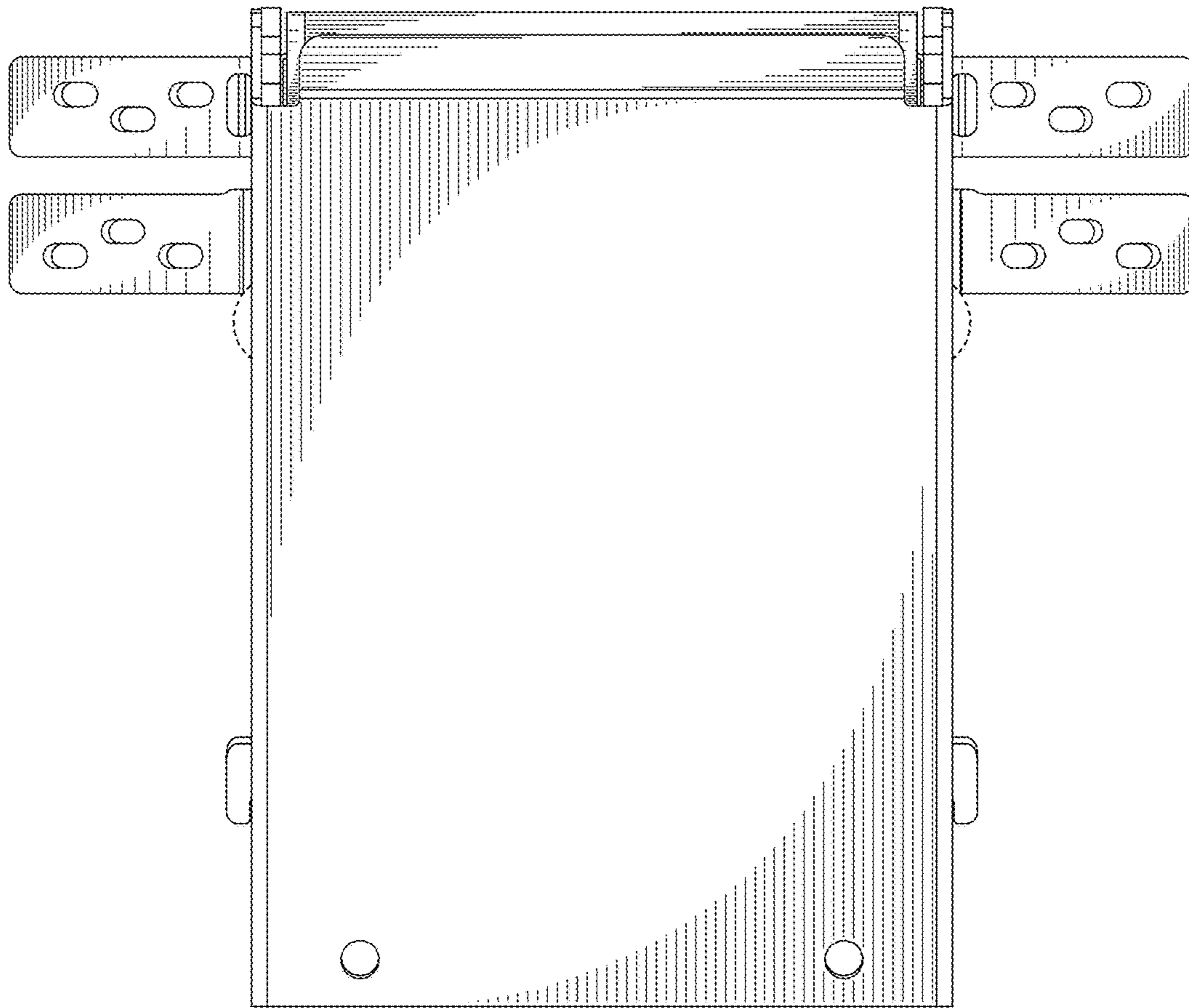


FIG. 3

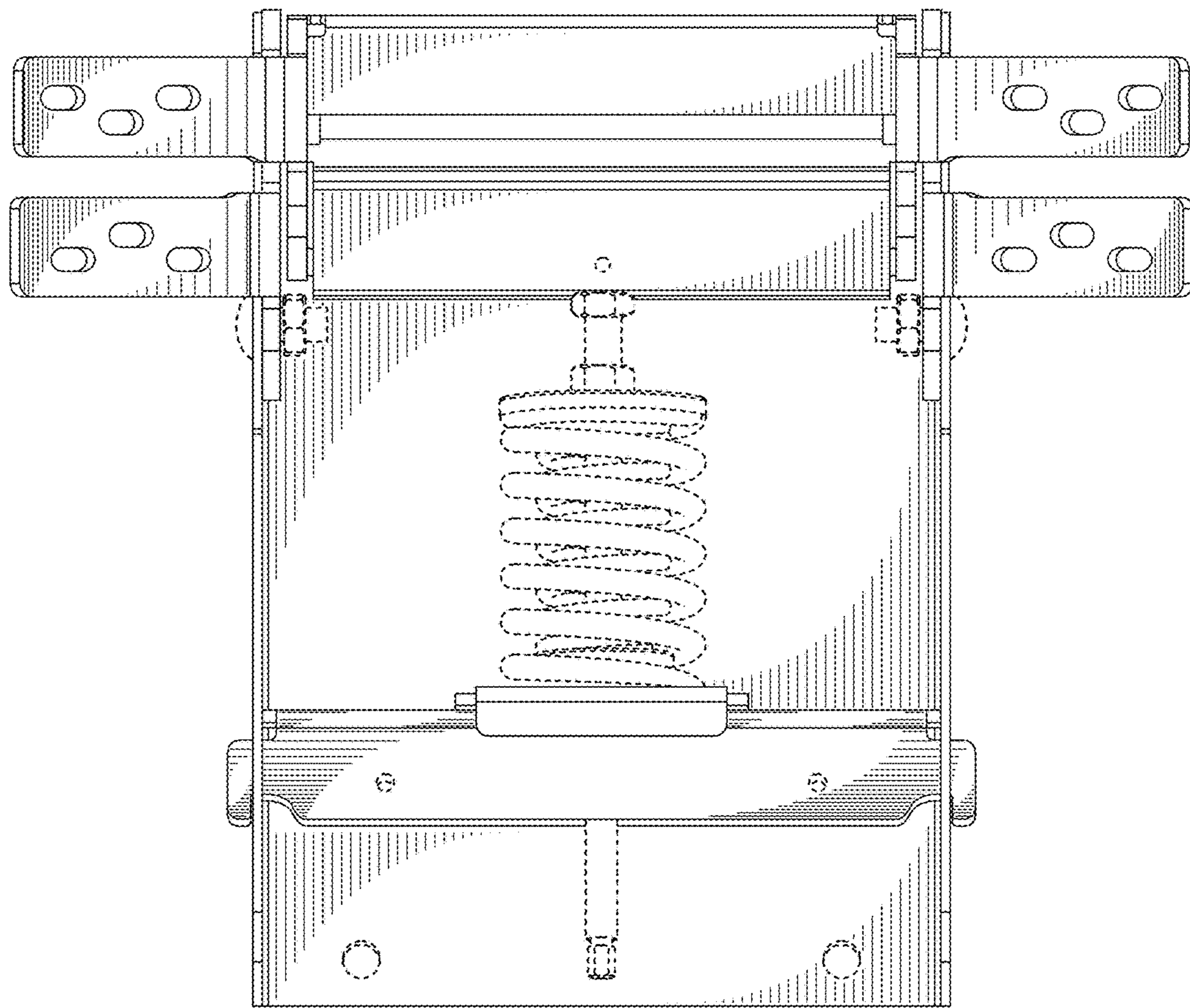


FIG. 4

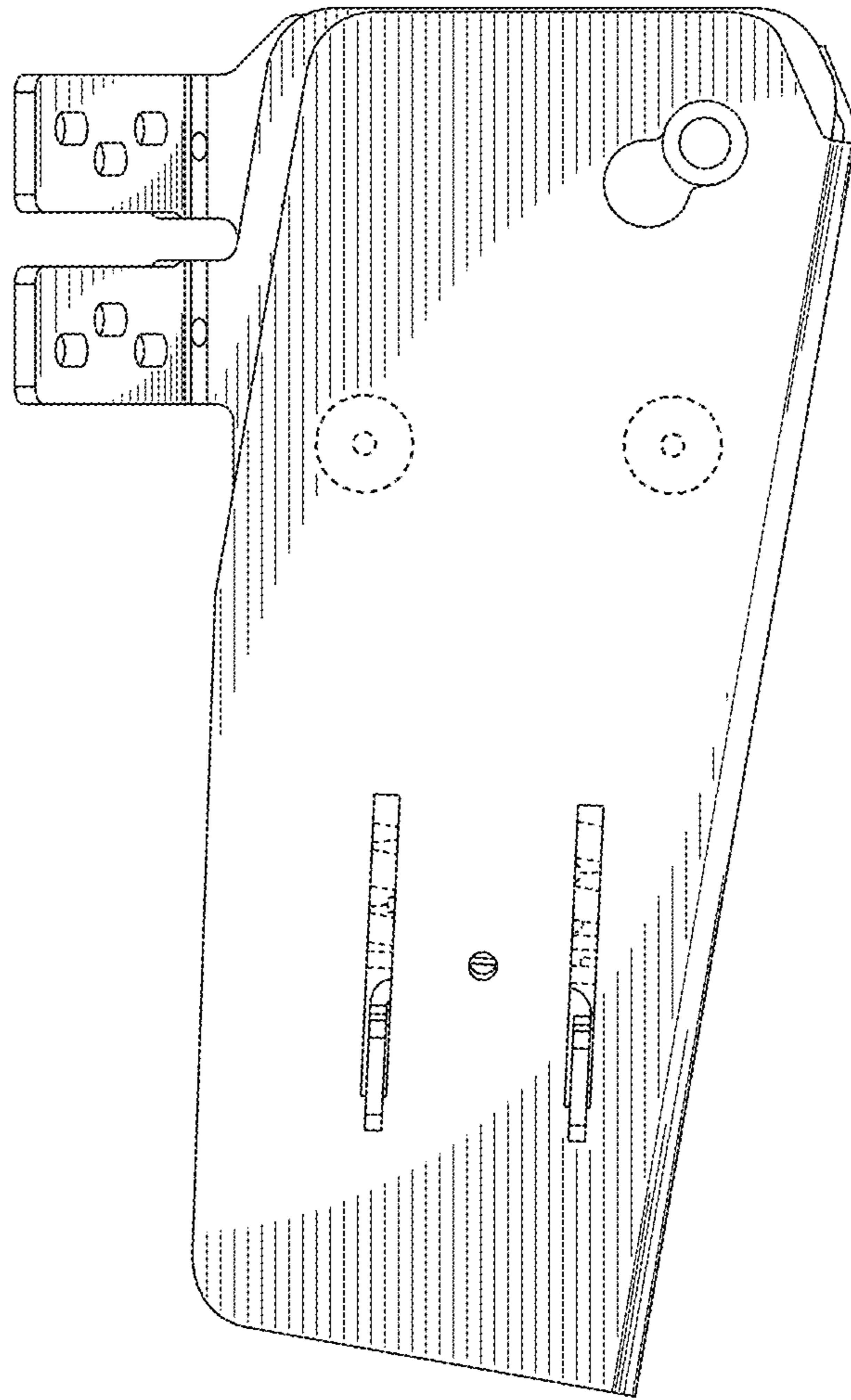


FIG. 5

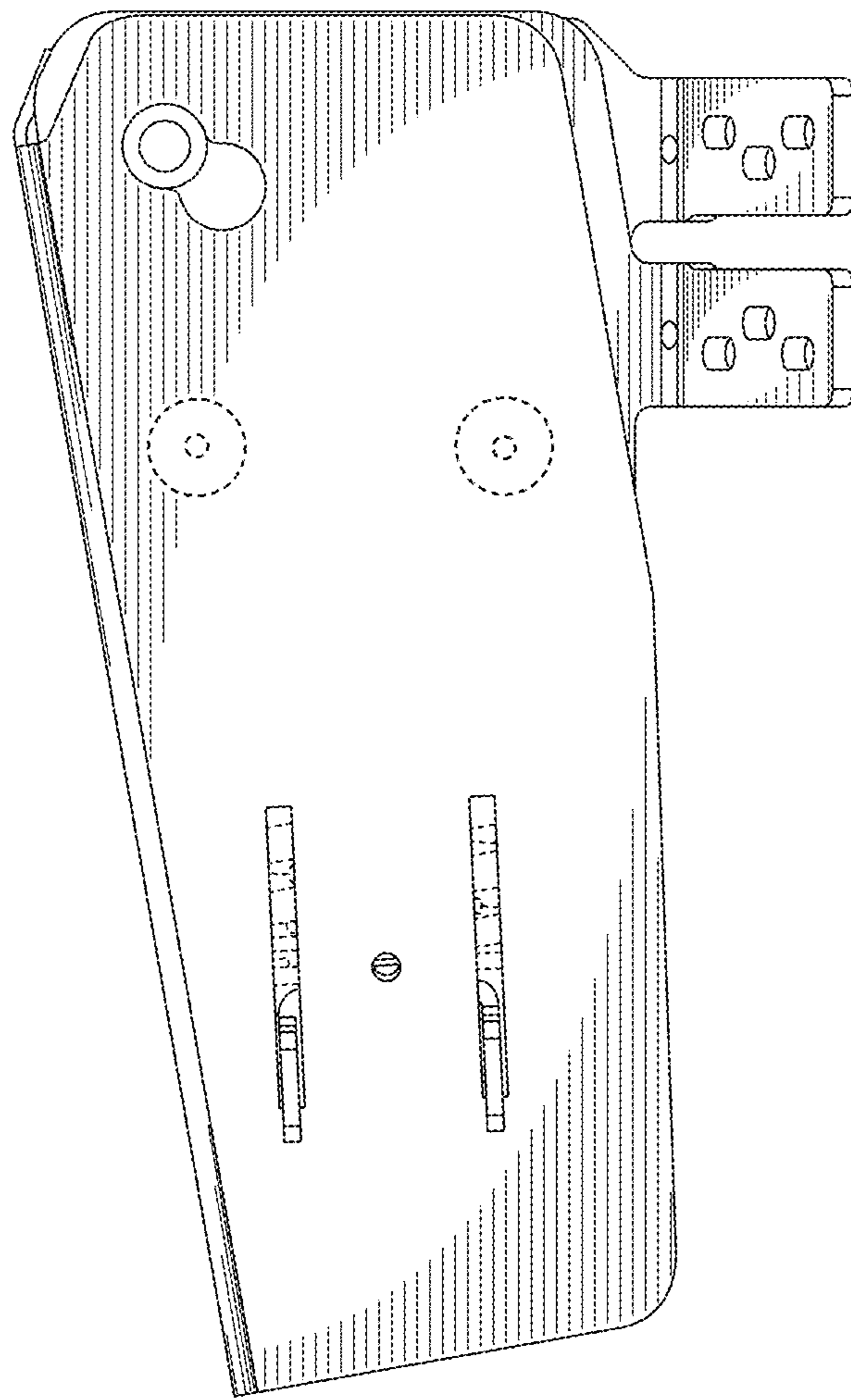


FIG. 6

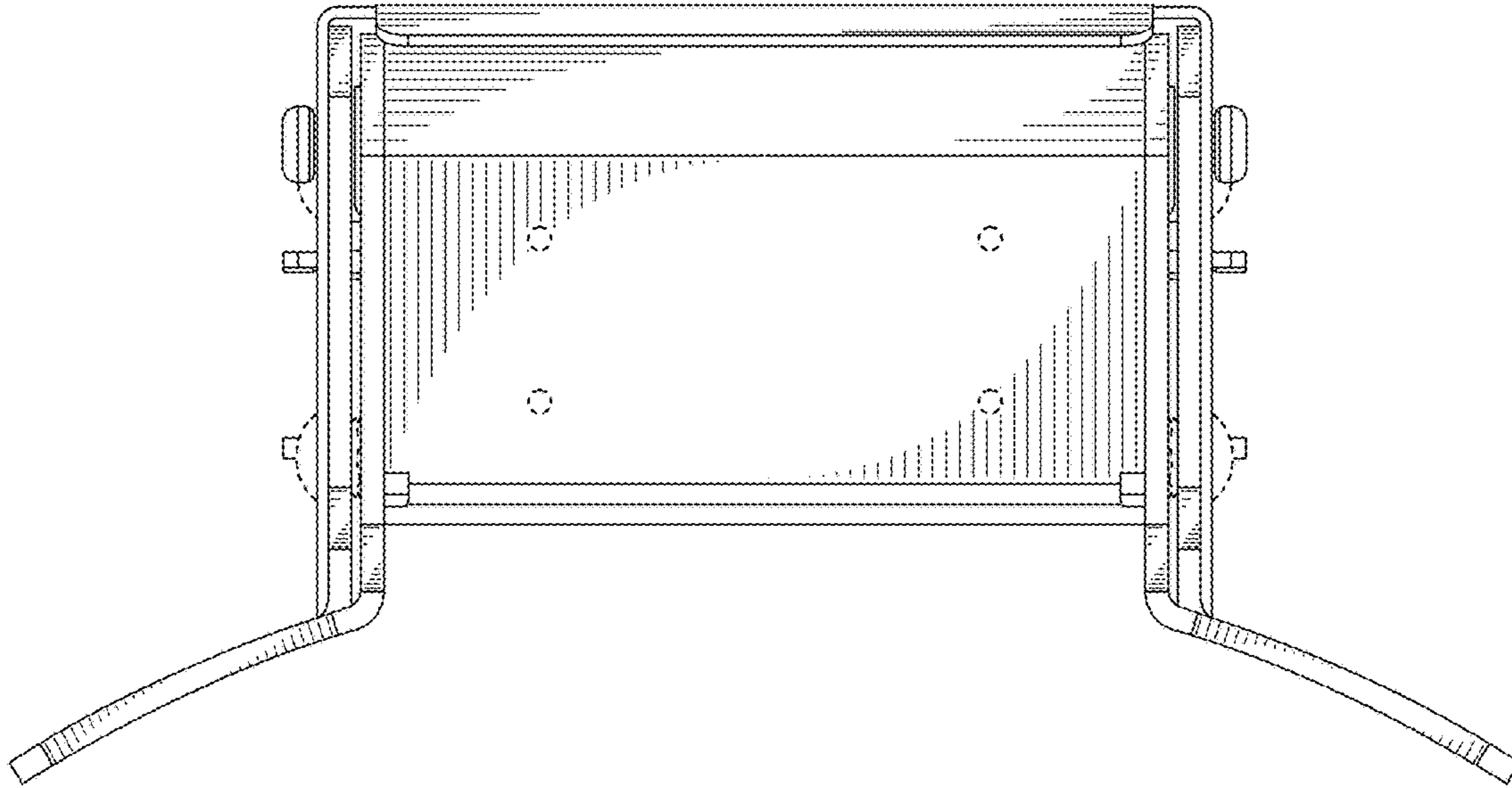


FIG. 7

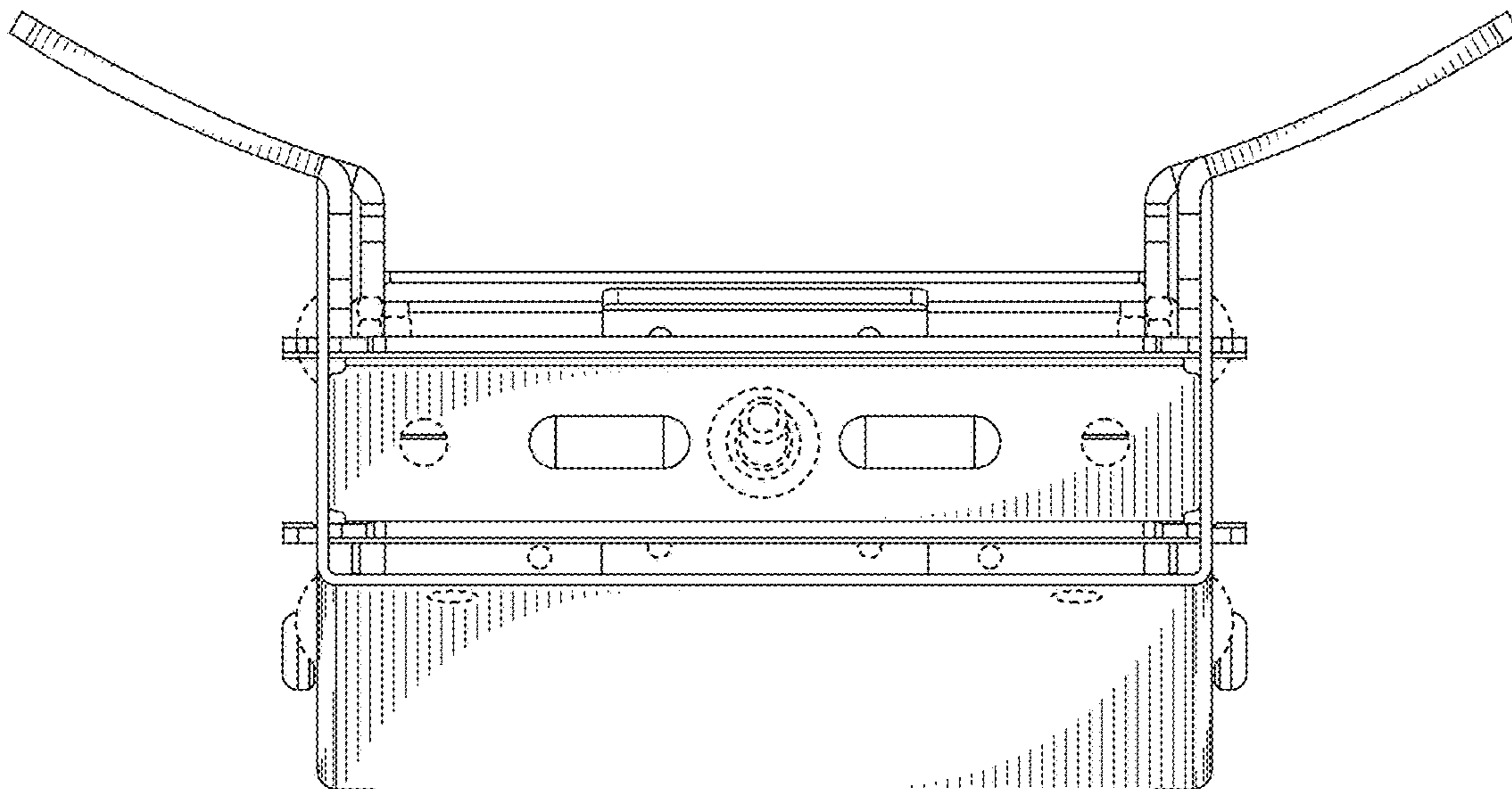


FIG. 8