



US00D818341S

(12) **United States Design Patent** (10) **Patent No.:** **US D818,341 S**
Graham et al. (45) **Date of Patent:** **** May 22, 2018**

(54) **COUNTERBALANCE**

(71) Applicant: **Weber Knapp Company**, Jamestown, NY (US)
(72) Inventors: **Daniel M. Graham**, Ashville, NY (US); **Jeremy F. Redlecki**, Clymer, NY (US)
(73) Assignee: **Weber Knapp Company**, Jamestown, NY (US)

(**) Term: **15 Years**

(21) Appl. No.: **29/563,068**

(22) Filed: **May 2, 2016**

(51) **LOC (11) Cl.** **08-06**

(52) **U.S. Cl.**
USPC **D8/323**

(58) **Field of Classification Search**
USPC D8/323, 325, 327, 328, 329; D10/95, 46; D7/409; 16/306
CPC ... E05D 3/12; E05D 11/0054; E05D 11/1014; E05D 1/04; E05Y 2900/602; E05F 1/1261; E05F 1/1058; E05B 73/007; E05B 65/50; E05C 17/365; E05C 17/36; E05C 17/025; B21D 56/40
See application file for complete search history.

(56) **References Cited**

U.S. PATENT DOCUMENTS

1,059,221 A * 4/1913 Saylor B65D 51/28 16/253
4,382,312 A * 5/1983 Liggett E05D 3/06 16/288
5,394,590 A * 3/1995 Yu A47J 37/0786 126/25 R
5,850,828 A * 12/1998 Valentino A47J 37/0704 126/201
6,463,923 B2 * 10/2002 Carley A47J 36/12 126/25 R

(Continued)

OTHER PUBLICATIONS

http://www.shopperschoice.com/item_item_2854886.html;
undated, last accessed Jun. 7, 2016.

(Continued)

Primary Examiner — Mark Goodwin
(74) *Attorney, Agent, or Firm* — Simpson & Simpson, PLLC

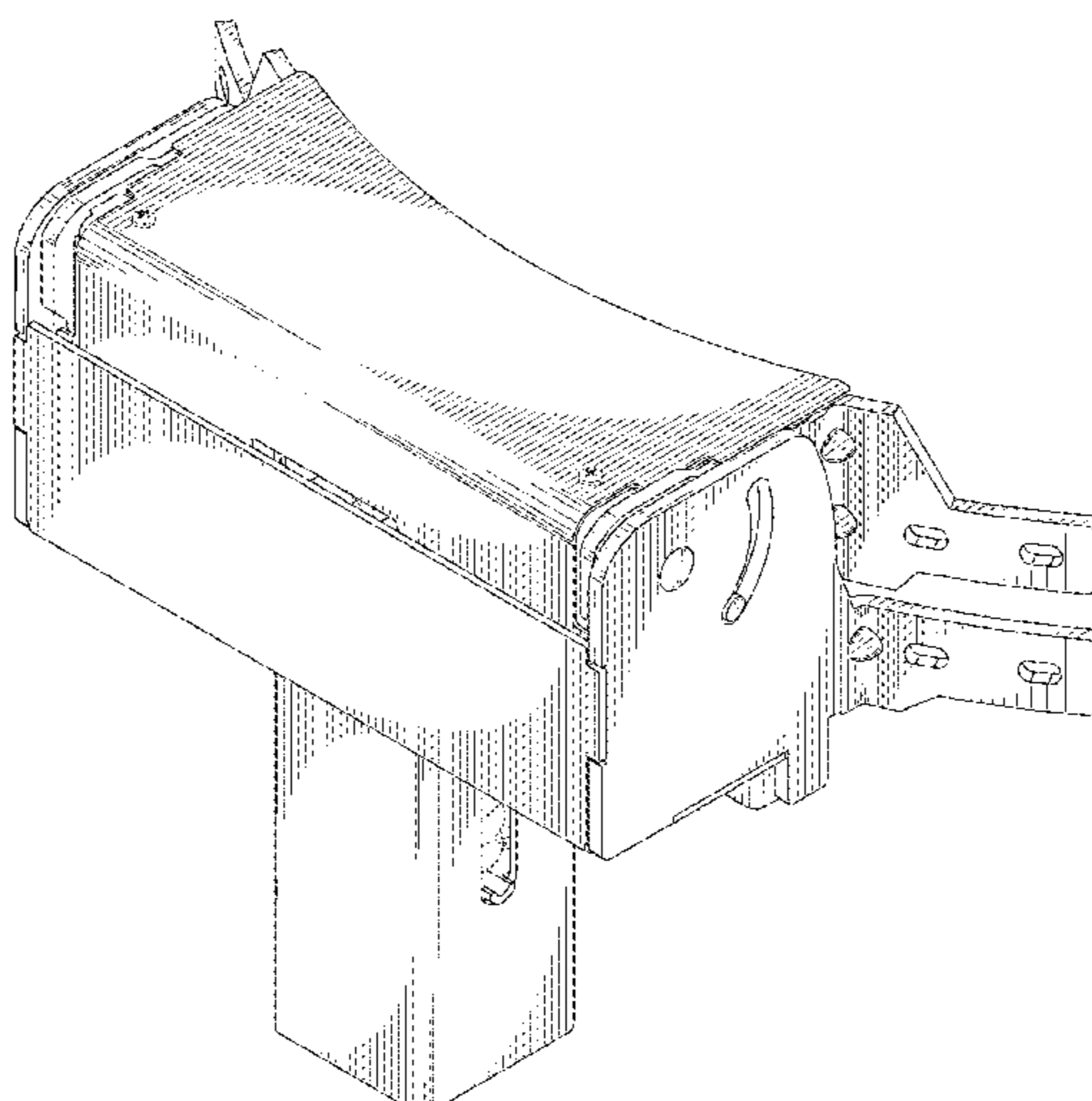
(57) **CLAIM**

The ornamental design for a counterbalance, as shown and described.

DESCRIPTION

FIG. 1 is a front perspective view of the counterbalance of the present invention;
FIG. 2 is a back perspective view of the counterbalance shown in FIG. 1;
FIG. 3 is a front elevational view of the counterbalance shown in FIG. 1;
FIG. 4 is a rear elevational view of the counterbalance shown in FIG. 1;
FIG. 5 is a left side elevational view of the counterbalance shown in FIG. 1;
FIG. 6 is a right side elevational view of the counterbalance shown in FIG. 1;
FIG. 7 is a top plan view of the counterbalance shown in FIG. 1; and,
FIG. 8 is a bottom plan view of the counterbalance shown in FIG. 1.
The broken line showings of fasteners, e.g., screws, rivets, etc., depicted in the figures are for the purpose of illustrating various fasteners, and form no part of the claimed design. The broken line showing of a spring assembly depicted in the figures is for the purpose of illustrating a linear actuator, and forms no part of the claimed design.

1 Claim, 8 Drawing Sheets



(56)

References Cited

U.S. PATENT DOCUMENTS

6,499,189	B2 *	12/2002	Kondo	E05D 3/06 16/239
6,701,577	B1 *	3/2004	Yeh	A47J 36/12 126/194
6,922,033	B2 *	7/2005	Ziegenhorn	A47J 27/14 126/13
D507,957	S *	8/2005	Nipke	D8/323
7,574,775	B2 *	8/2009	Zetti	E05D 3/16 16/266
7,698,785	B2 *	4/2010	Bennett	E05D 3/16 16/239
7,770,576	B2 *	8/2010	Polkinghorn	A47J 37/0786 126/194
7,784,155	B2 *	8/2010	Hoffman	E05D 3/10 16/367
D652,706	S *	1/2012	Osaki	D8/323
D699,093	S *	2/2014	Farnsworth	D8/323
D716,129	S *	10/2014	Kashiwaguma	D8/323
D717,633	S *	11/2014	Lu	D8/323
D730,149	S *	5/2015	Smith	D8/323
D748,966	S *	2/2016	Morinaga	D8/323
D749,394	S *	2/2016	Morinaga	D8/323
D763,038	S *	8/2016	Whitcomb	D7/409
9,603,484	B2 *	3/2017	Cleveland	A47J 37/04
2008/0078374	A1 *	4/2008	Polkinghorn	A47J 36/12 126/194

OTHER PUBLICATIONS

Viking Installation Guide, Viking Range Corporation, Greenwood, MI; C4 Outdoor Cooker Cart Assembly, created Apr. 23, 2008.

* cited by examiner

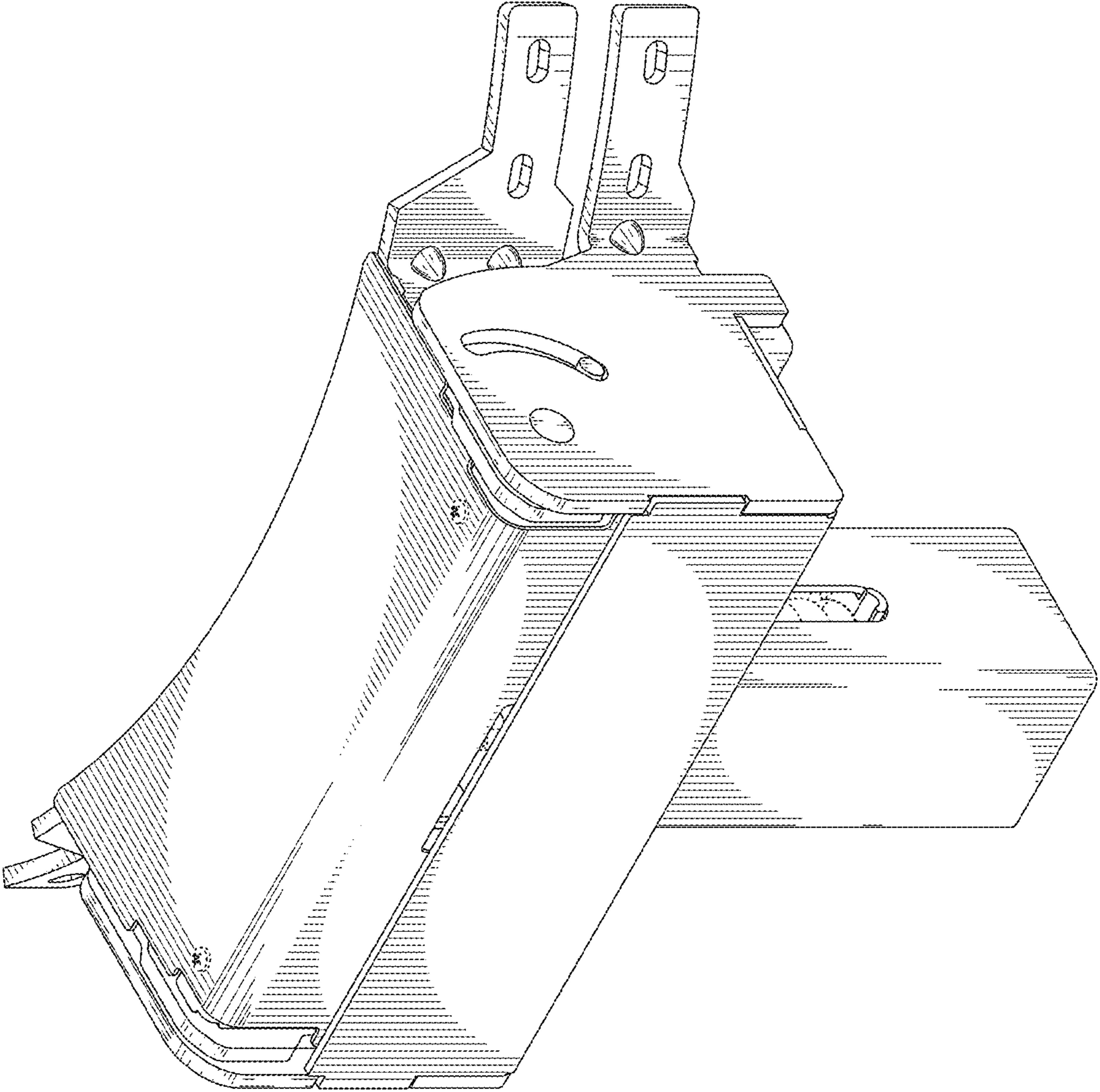


FIG. 1

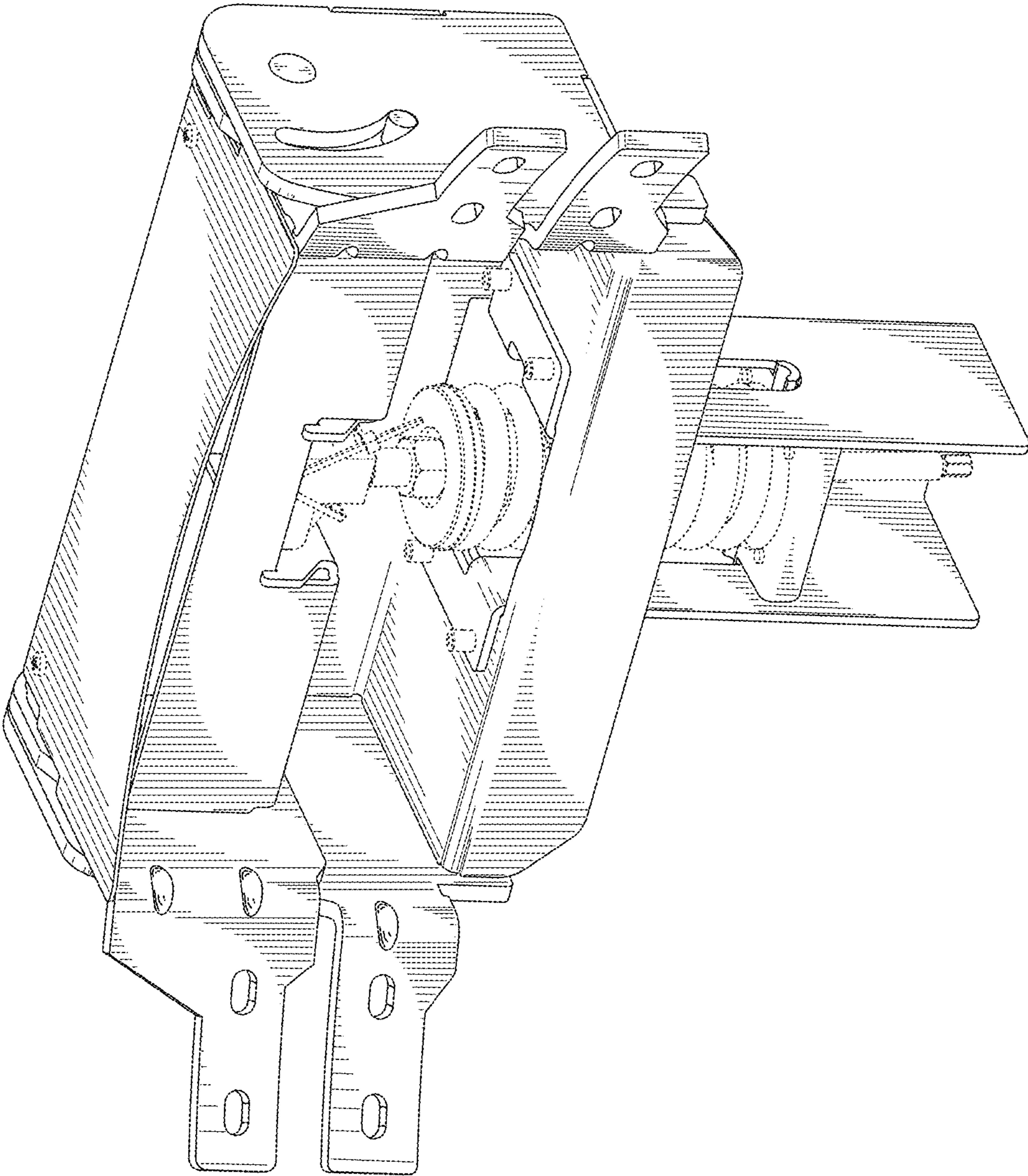


FIG. 2

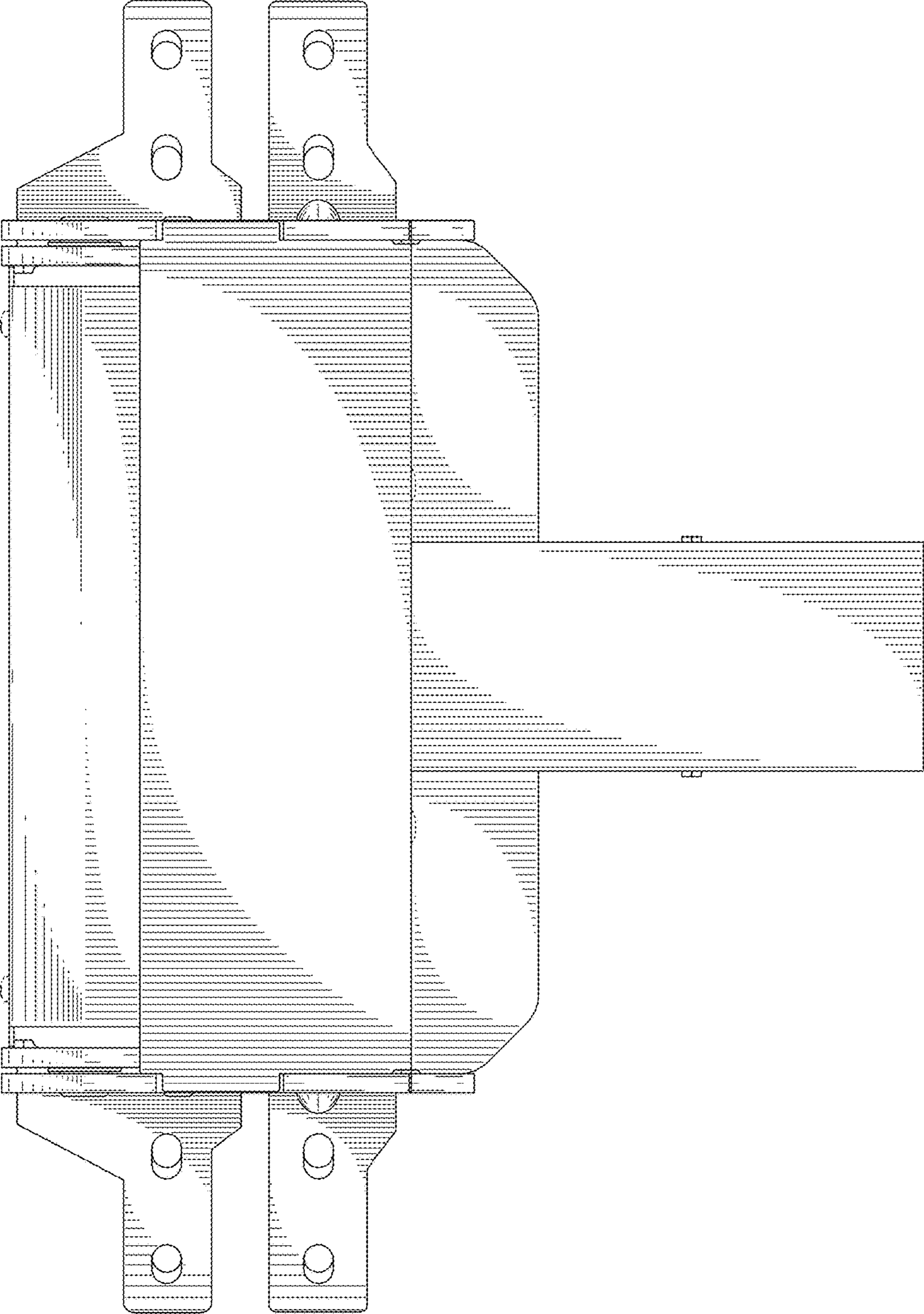


FIG. 3

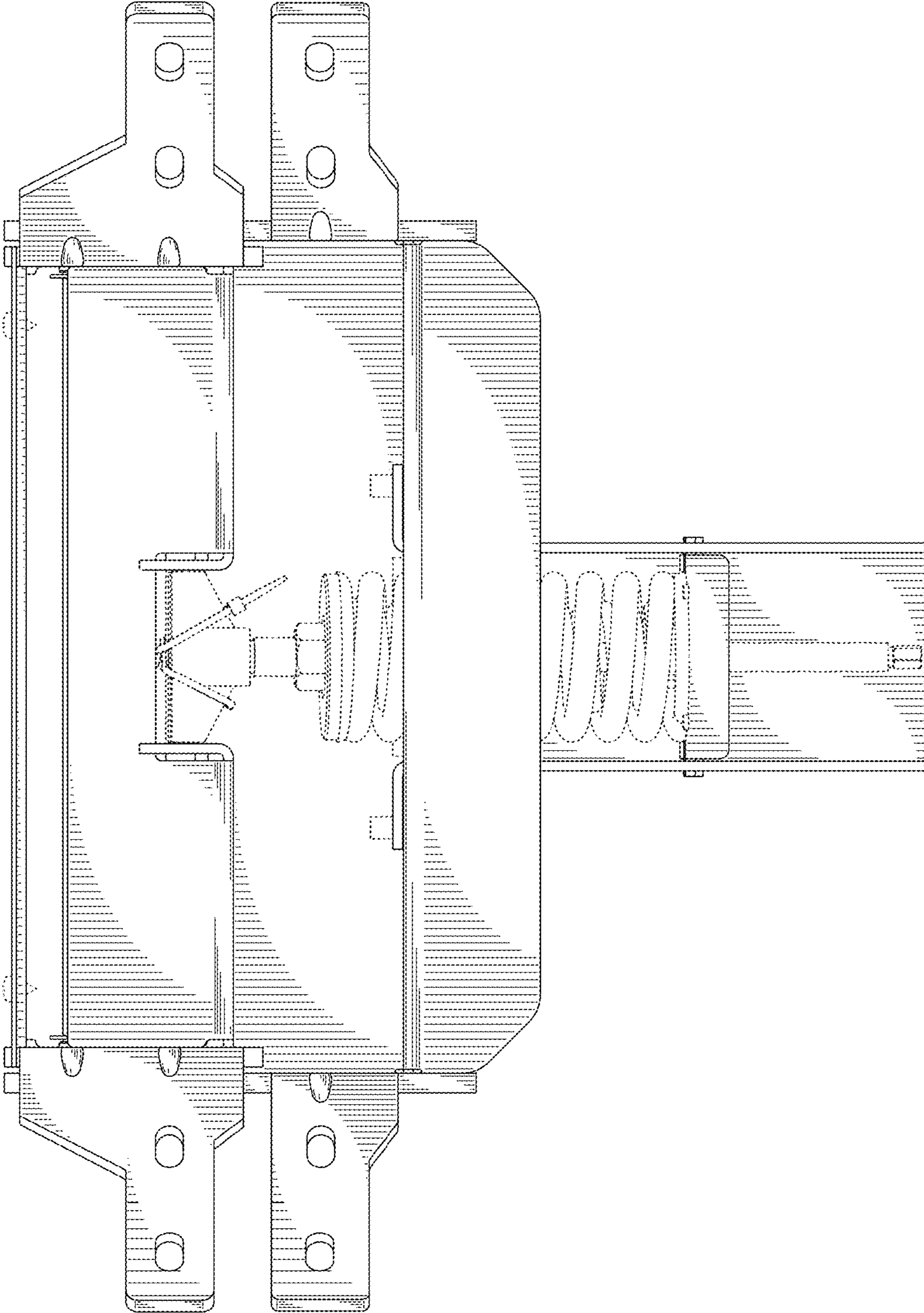


FIG. 4

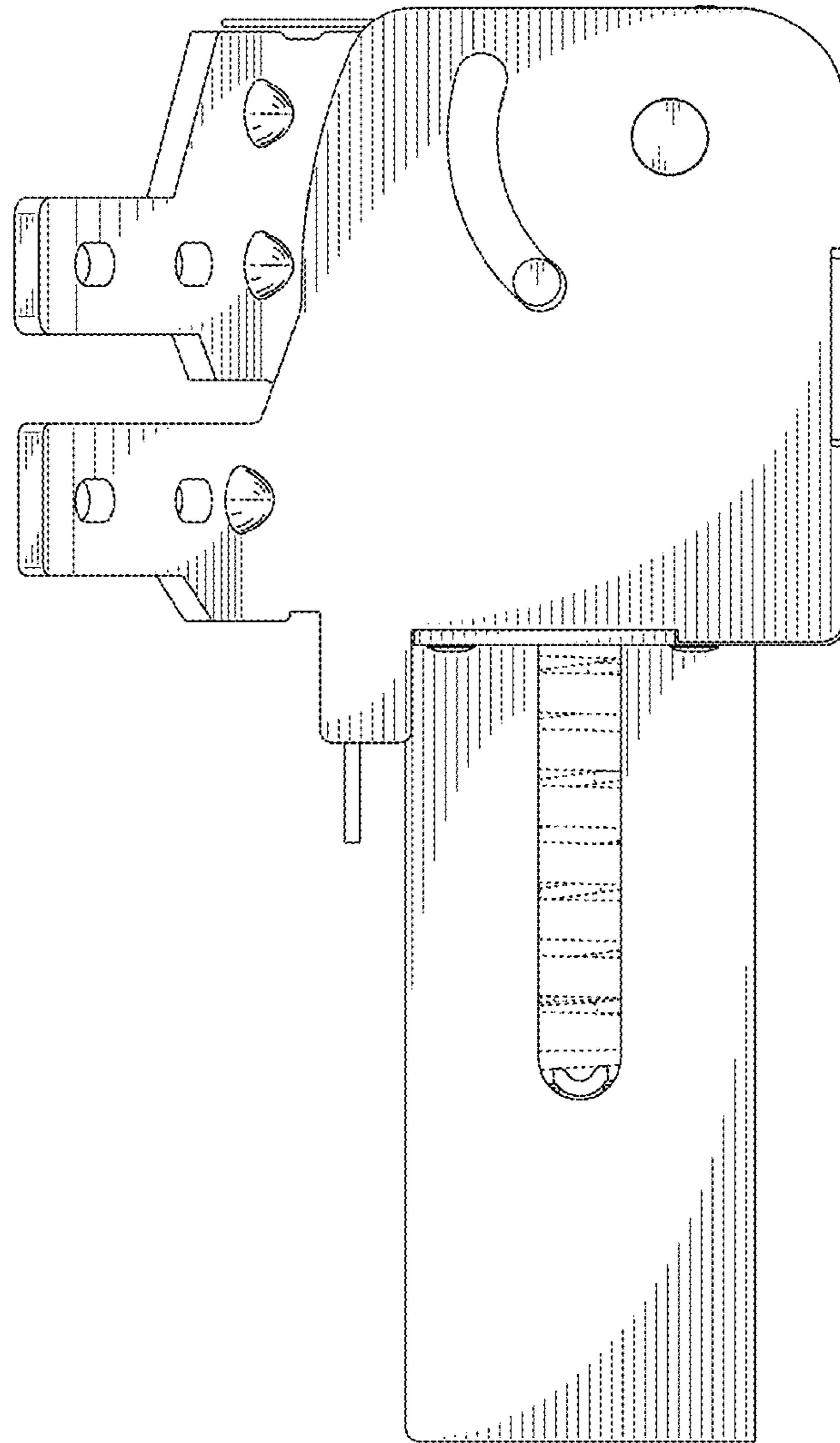


FIG. 5

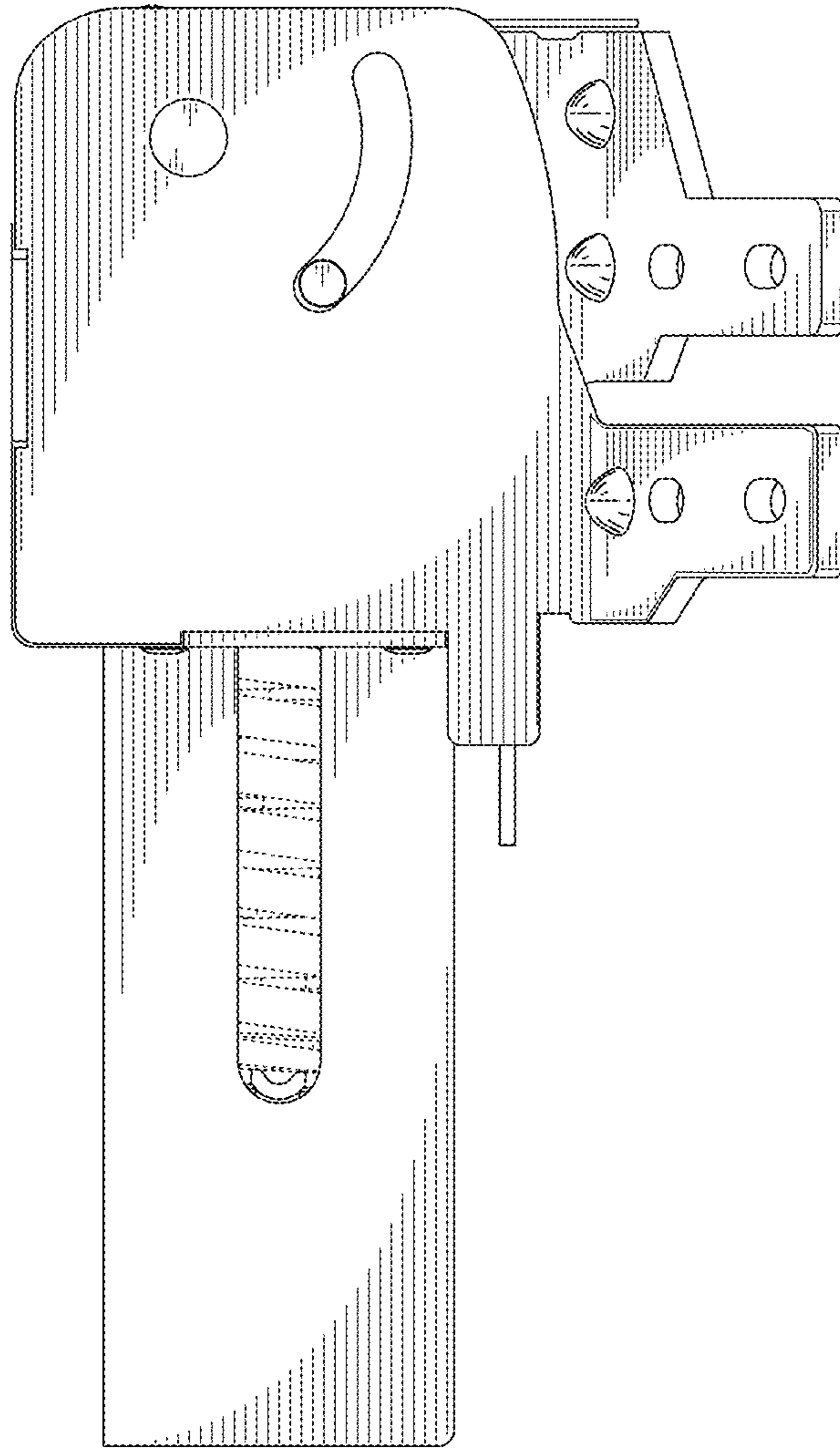


FIG. 6

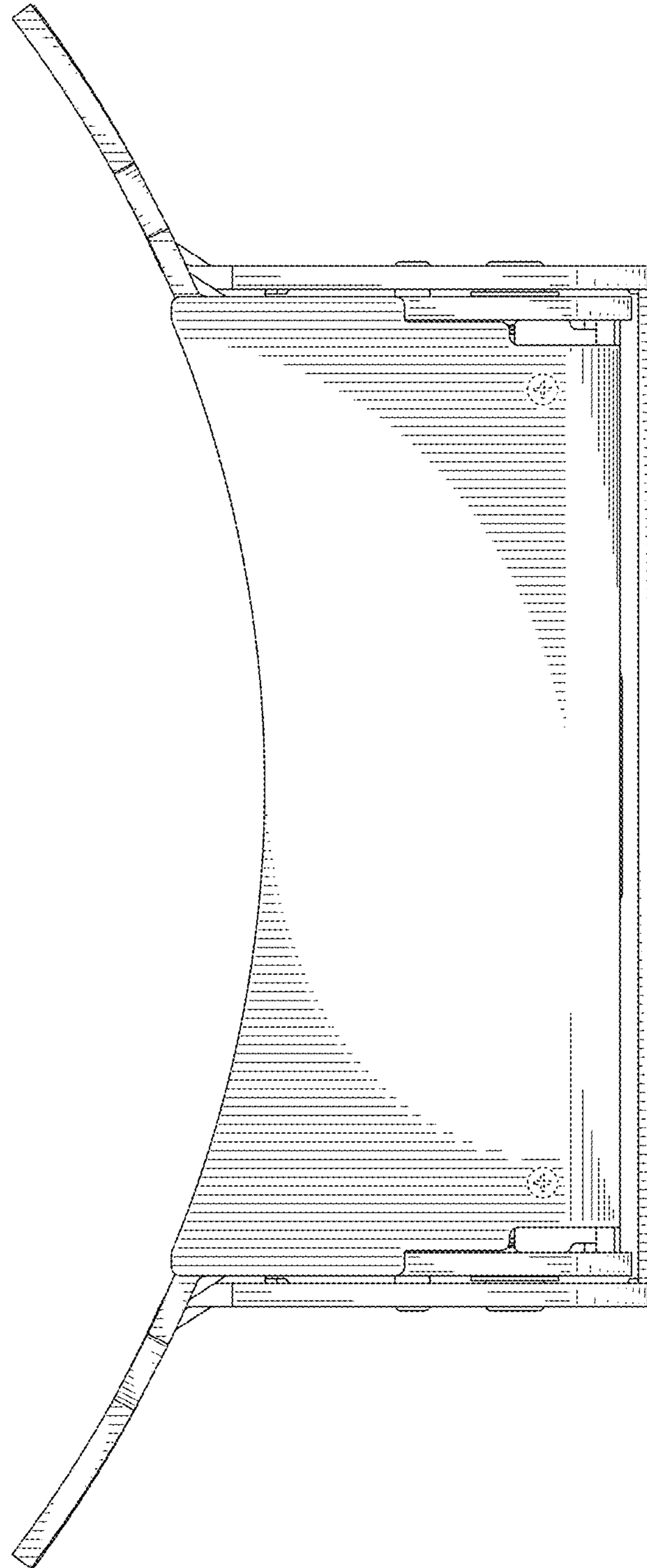


FIG. 7

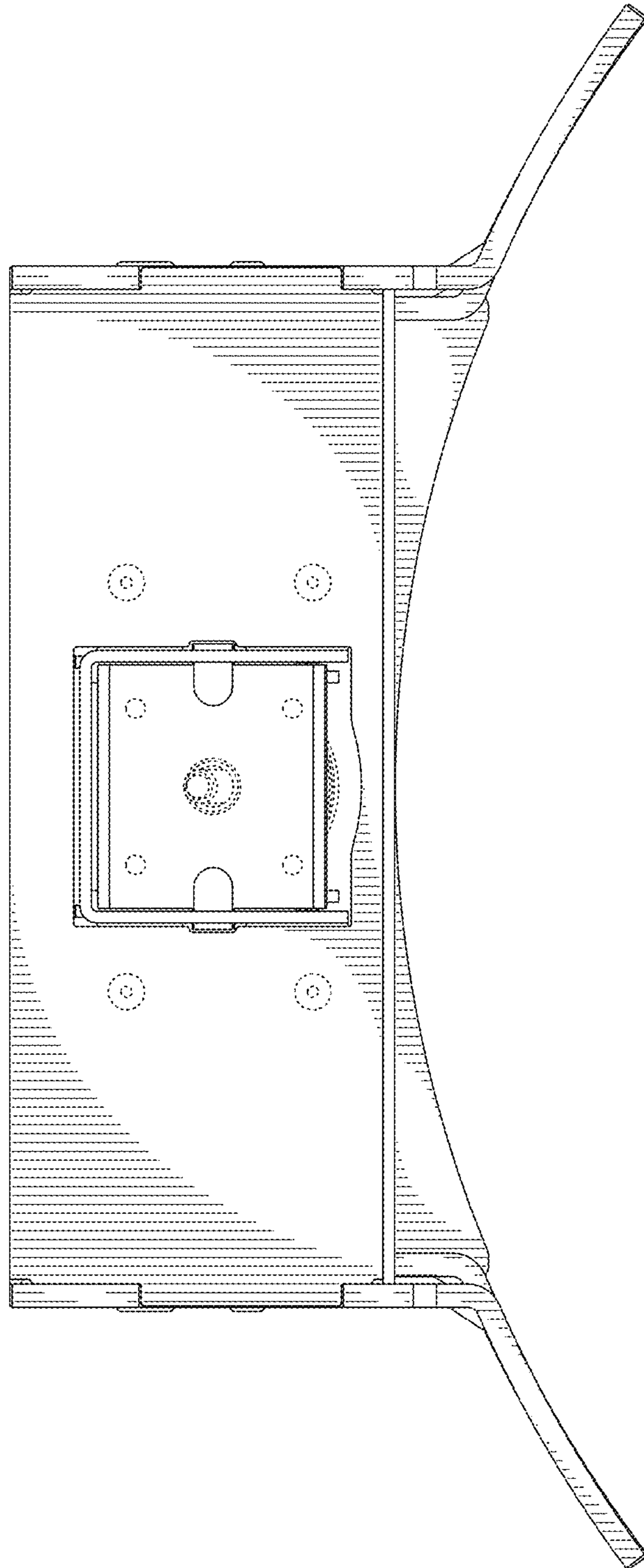


FIG. 8