



US00D818339S

(12) **United States Design Patent** (10) **Patent No.:** **US D818,339 S**  
**Gal et al.** (45) **Date of Patent:** **\*\* May 22, 2018**

(54) **HINGE PIN JOINT**

(56) **References Cited**

- (71) Applicant: **A.D. Integrity Applications Ltd.**,  
Ashkelon (IL)
- (72) Inventors: **Avner Gal**, Hertzeliya (IL); **David Malka**, Rehovot (IL); **Vladimir Ravitch**, Ashkelon (IL); **Alexander Klionsky**, Ashdod (IL); **Vitaly Bondar**, Ashdod (IL)
- (73) Assignee: **A.D. INTEGRITY APPLICATIONS LTD.**, Ashkelon (IL)
- (\*\*) Term: **15 Years**
- (21) Appl. No.: **29/547,069**
- (22) Filed: **Dec. 1, 2015**

U.S. PATENT DOCUMENTS

D289,888	S	*	5/1987	Bardeau	.....	D8/323
D616,282	S	*	5/2010	Cosby	.....	D8/323
D637,060	S	*	5/2011	Mitchell	.....	D8/323
D644,499	S	*	9/2011	Herglotz	.....	D8/327
D658,031	S	*	4/2012	Mitchell	.....	D8/323
D664,499	S		7/2012	Workman et al.		
D707,099	S	*	6/2014	Nicholson	.....	D8/323

(Continued)

FOREIGN PATENT DOCUMENTS

EM	002216028-0001	A	7/2013
EM	002216028-0002	A	7/2013

(Continued)

OTHER PUBLICATIONS

TW 102305953, Search Report from Taiwan Intellectual Property Office, Jan. 5, 2015.

*Primary Examiner* — Wan Laymon  
*Assistant Examiner* — Mark Booker

(74) *Attorney, Agent, or Firm* — Leason Ellis LLP

**Related U.S. Application Data**

(62) Division of application No. 29/459,332, filed on Jun. 28, 2013, now Pat. No. Des. 747,173.

**Foreign Application Priority Data**

- Mar. 12, 2013 (IL) ..... 53821
- (51) **LOC (11) Cl.** ..... **08-06**
- (52) **U.S. Cl.**  
USPC ..... **D8/323**

- (58) **Field of Classification Search**  
USPC ..... D8/323, 325, 327, 328, 329, 346, 403,  
D8/499; 4/236, 240; 16/221, 225, 250,  
16/682, 309, 235, 275, 244, 379, 390,  
16/430, 241, 238, 245, 236, 243, 242,  
16/385, 331, 274  
CPC ..... Y10T 16/00; Y10T 16/52; Y10T 16/521;  
Y10T 16/522; Y10T 16/5275; Y10T  
16/528; Y10T 16/532; Y10T 16/53247;  
Y10T 16/54056; Y10T 16/551  
See application file for complete search history.

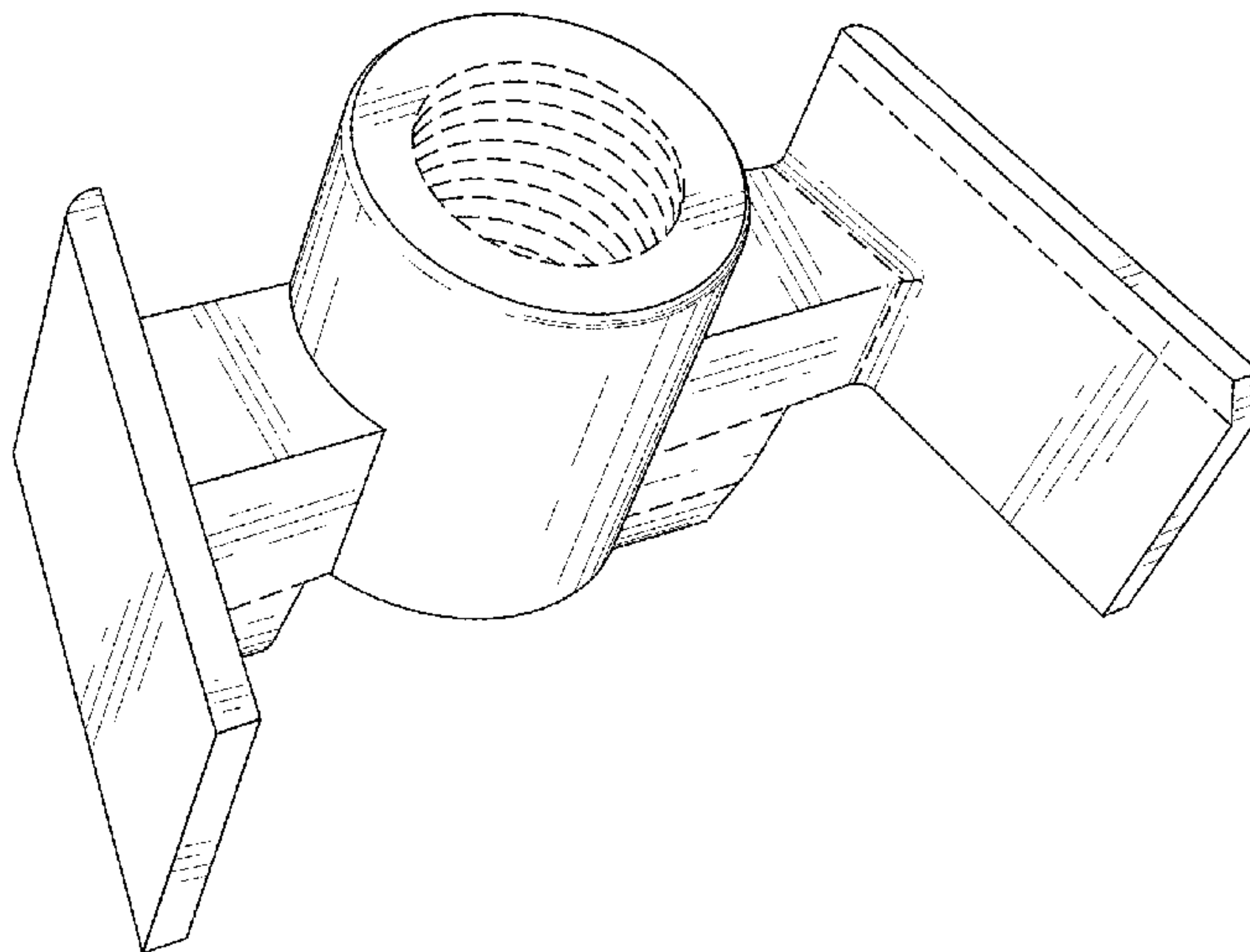
(57) **CLAIM**

The ornamental design for a hinge pin joint, as shown and described.

**DESCRIPTION**

FIG. 1 is a perspective view of a hinge pin joint design; FIG. 2 is a front view of the hinge pin joint design; FIG. 3 is a back view of the hinge pin joint design; FIG. 4 is a top view of the hinge pin joint design; FIG. 5 is a bottom view of the hinge pin joint design; FIG. 6 is a right view of the hinge pin joint design; and, FIG. 7 is a left view of the hinge pin joint design. The portions of the hinge pin joint design shown in broken lines form no part of the claimed design.

**1 Claim, 7 Drawing Sheets**



(56)

**References Cited**

U.S. PATENT DOCUMENTS

D719,809 S \* 12/2014 Mitchell ..... D8/323  
D725,989 S \* 4/2015 Gompper ..... D8/323  
D741,142 S \* 10/2015 Todd, Jr. .... D8/327  
D747,173 S \* 1/2016 Gal ..... D8/323  
D761,076 S \* 7/2016 Schweiss ..... D8/323

FOREIGN PATENT DOCUMENTS

TW M314788 7/2007  
TW M333461 6/2008  
TW D129669 7/2009

\* cited by examiner

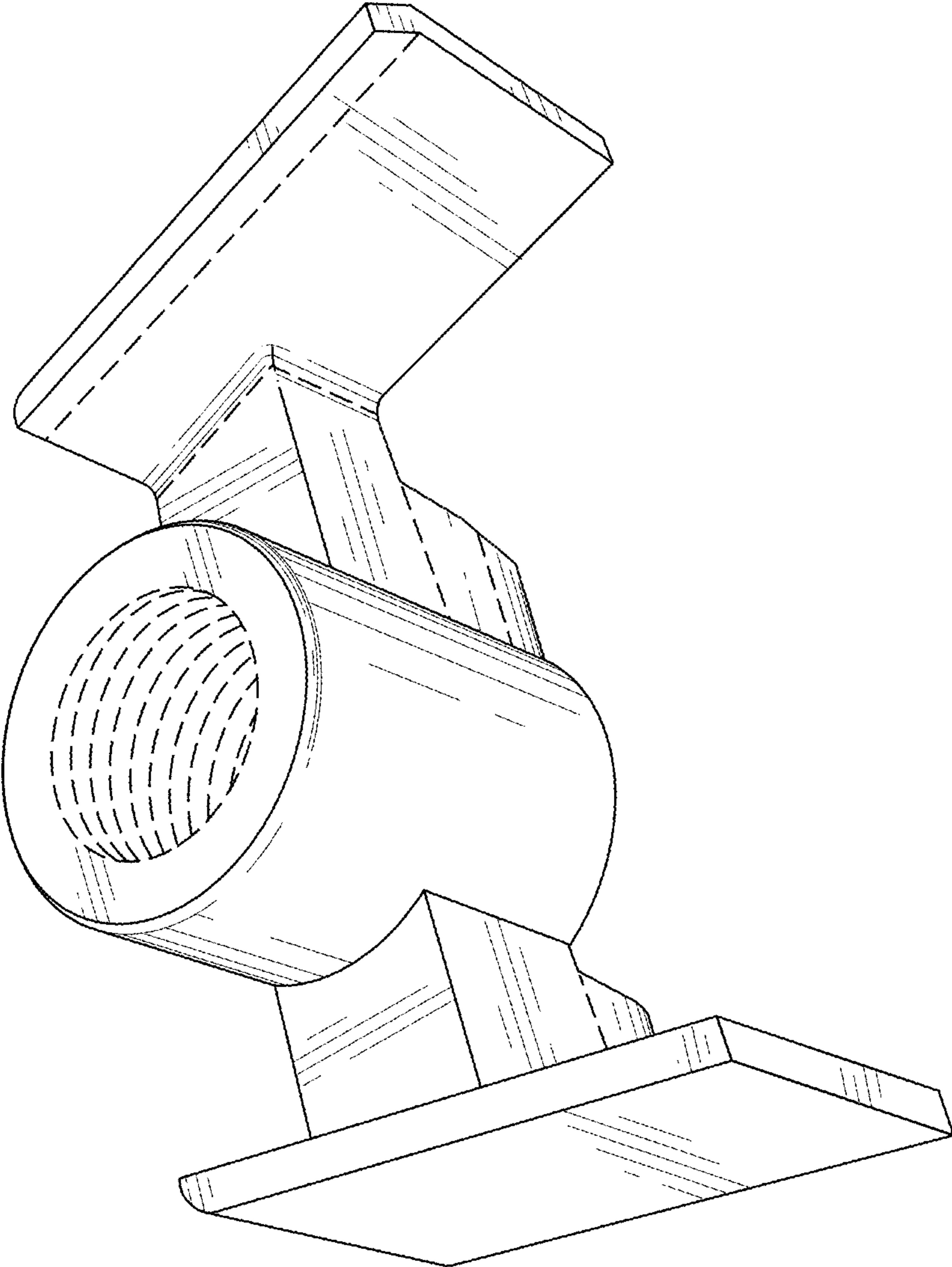


Fig. 1

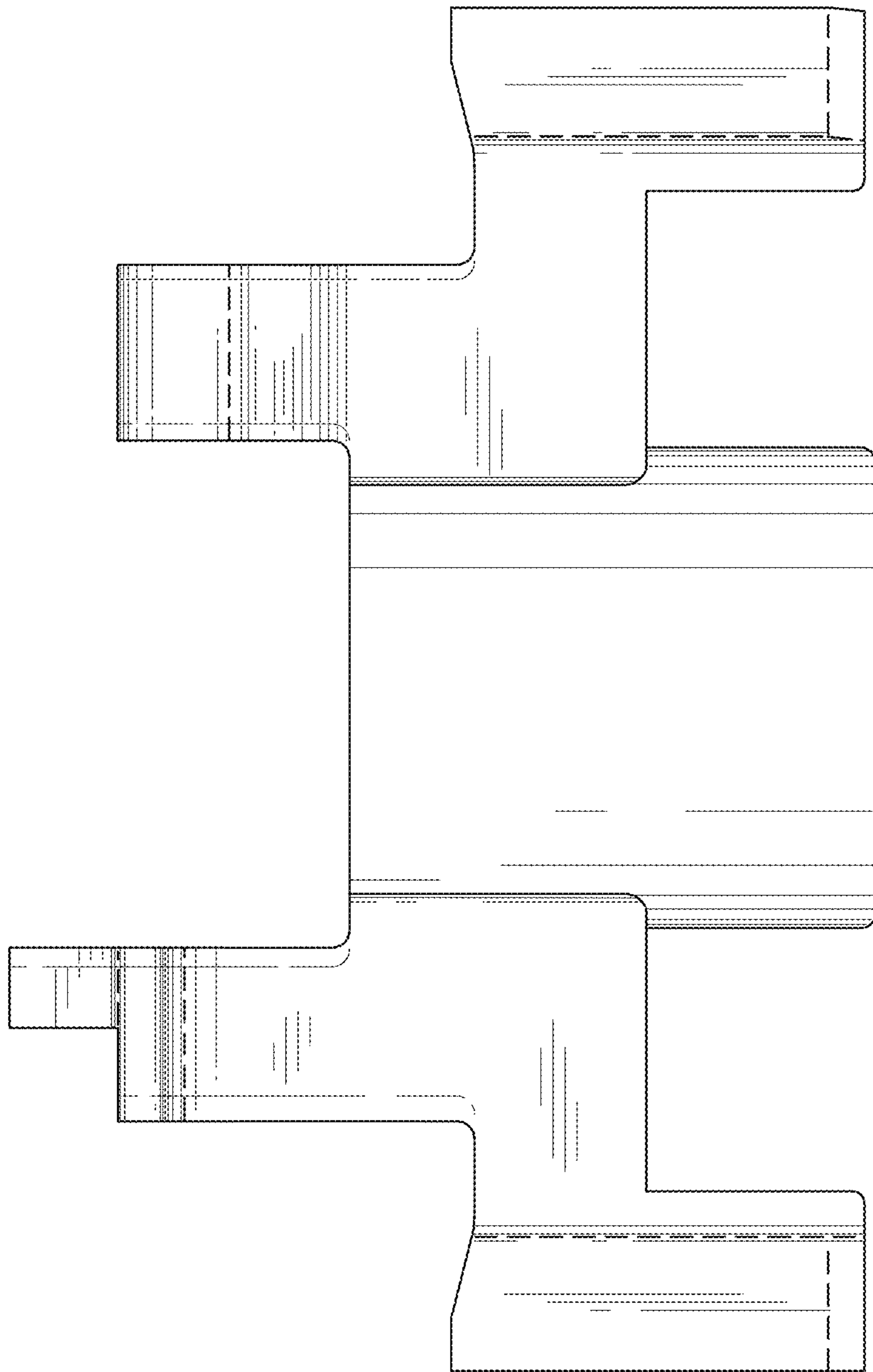


Fig. 2

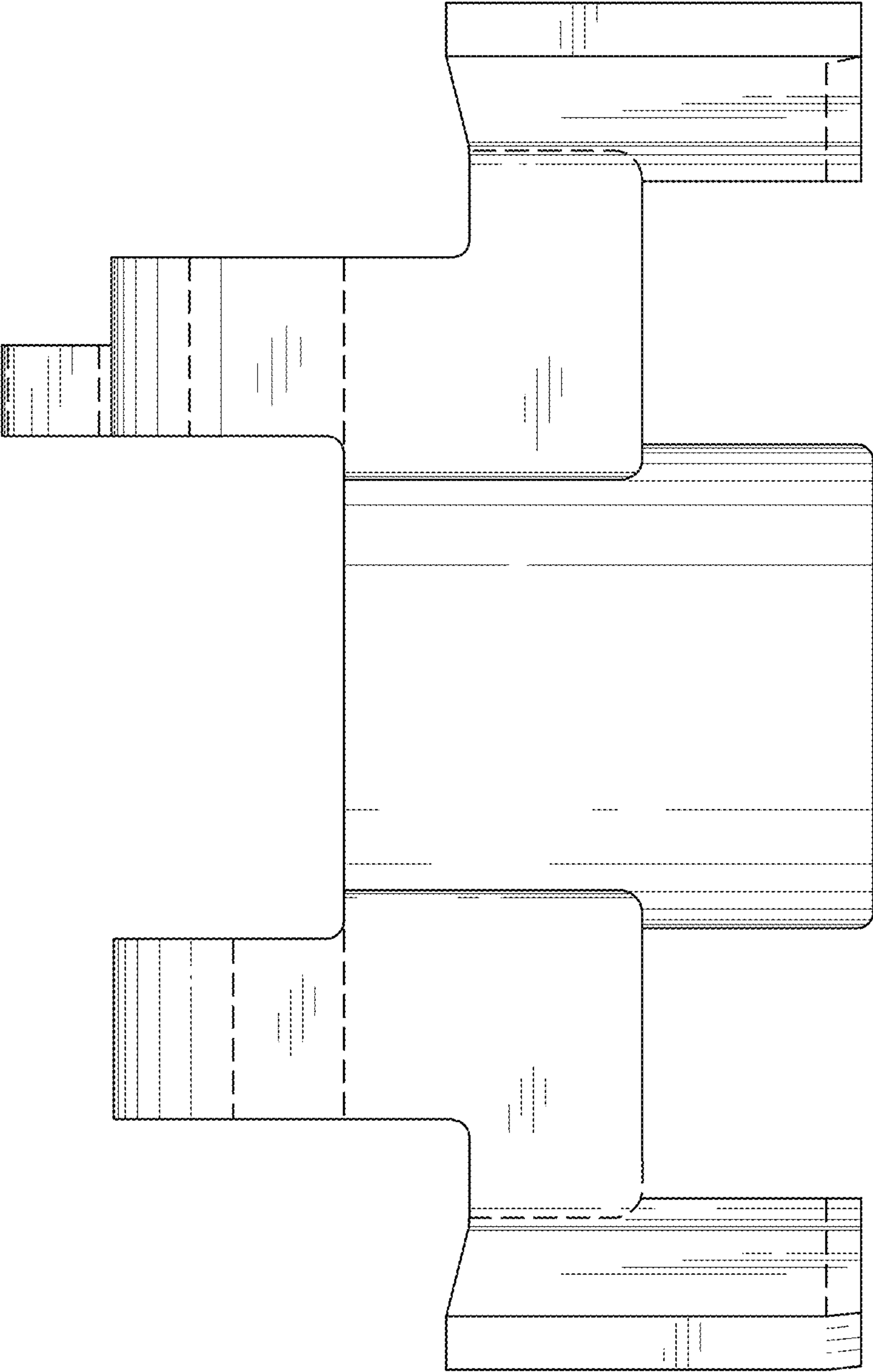


Fig. 3

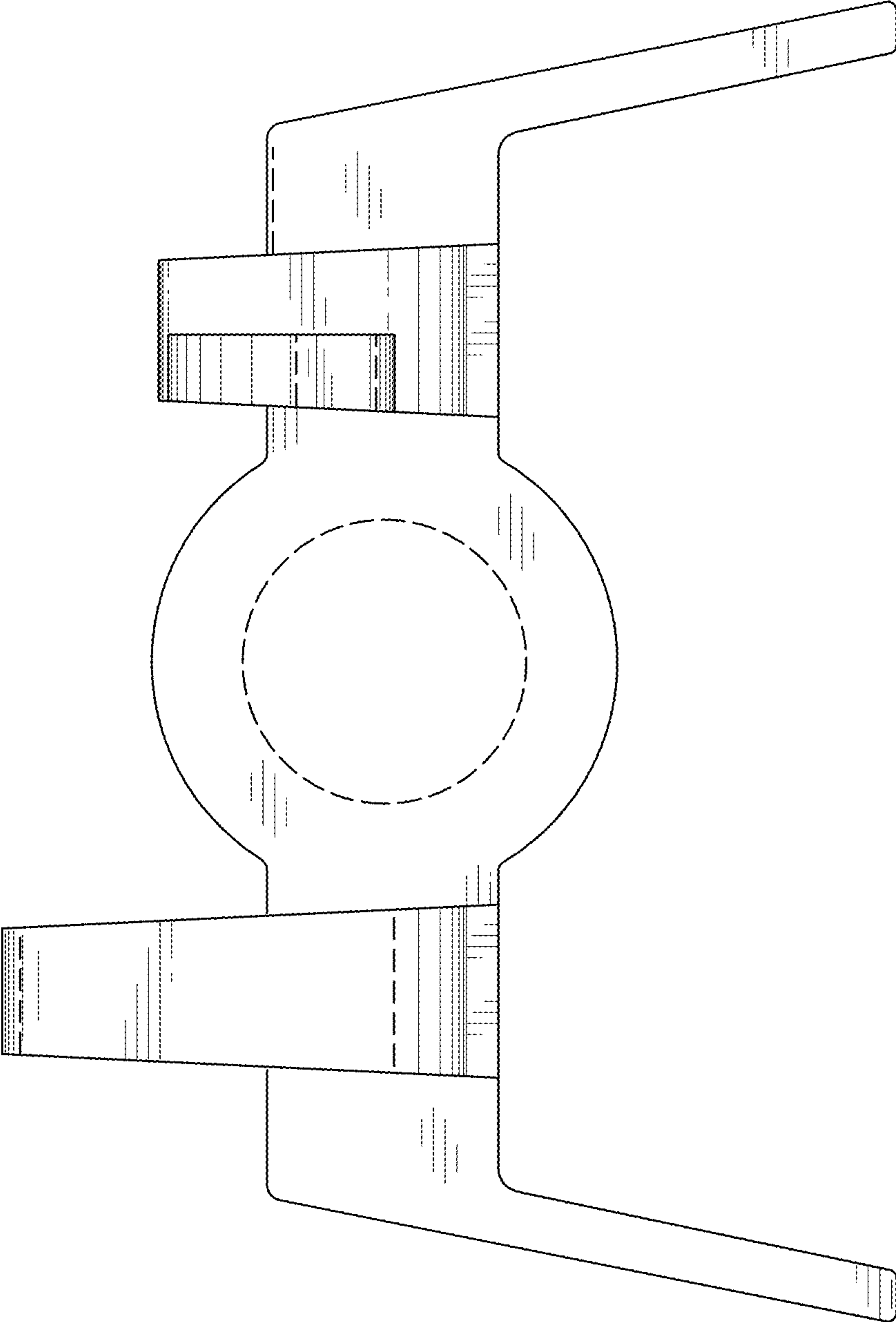


Fig. 4



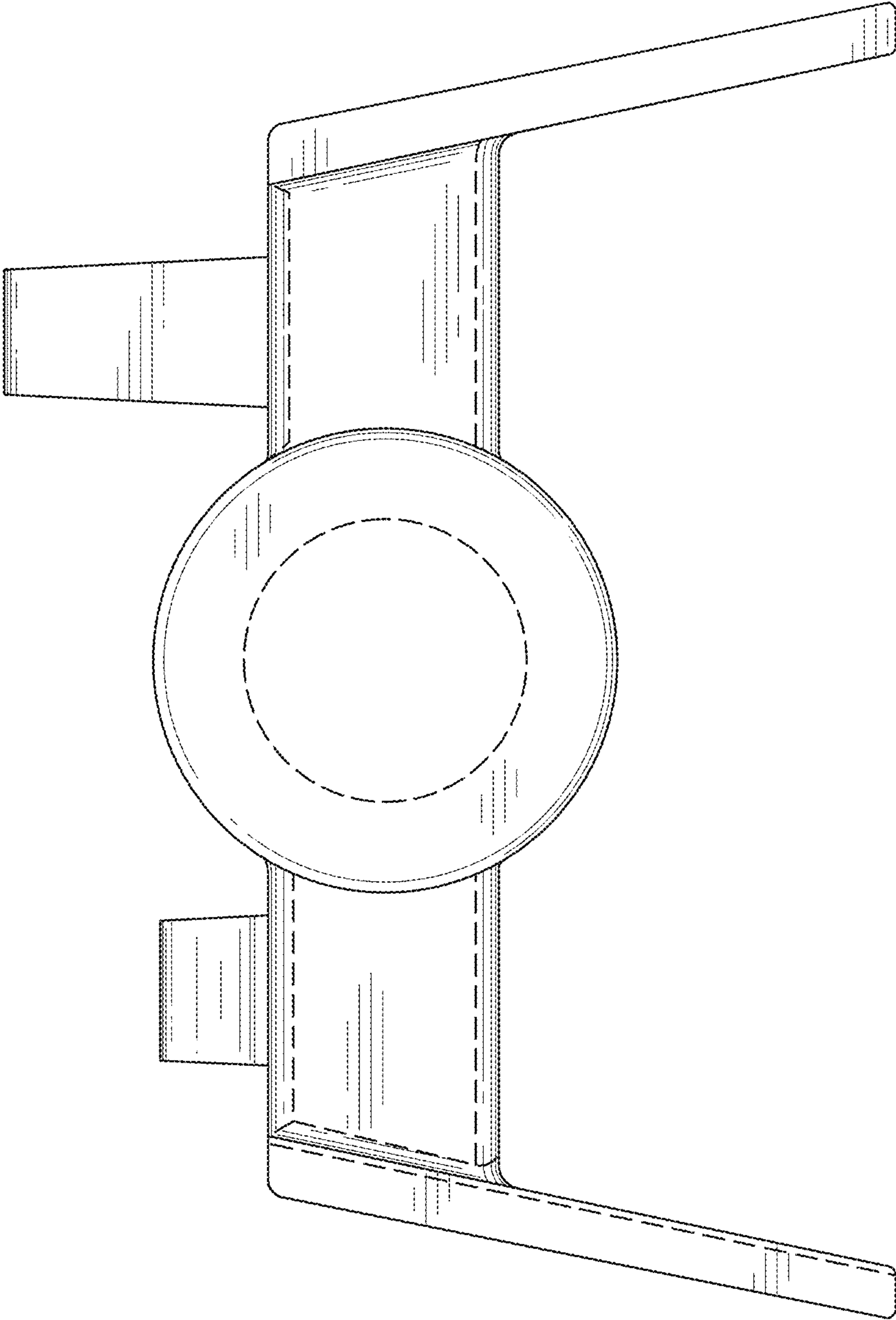


Fig. 5

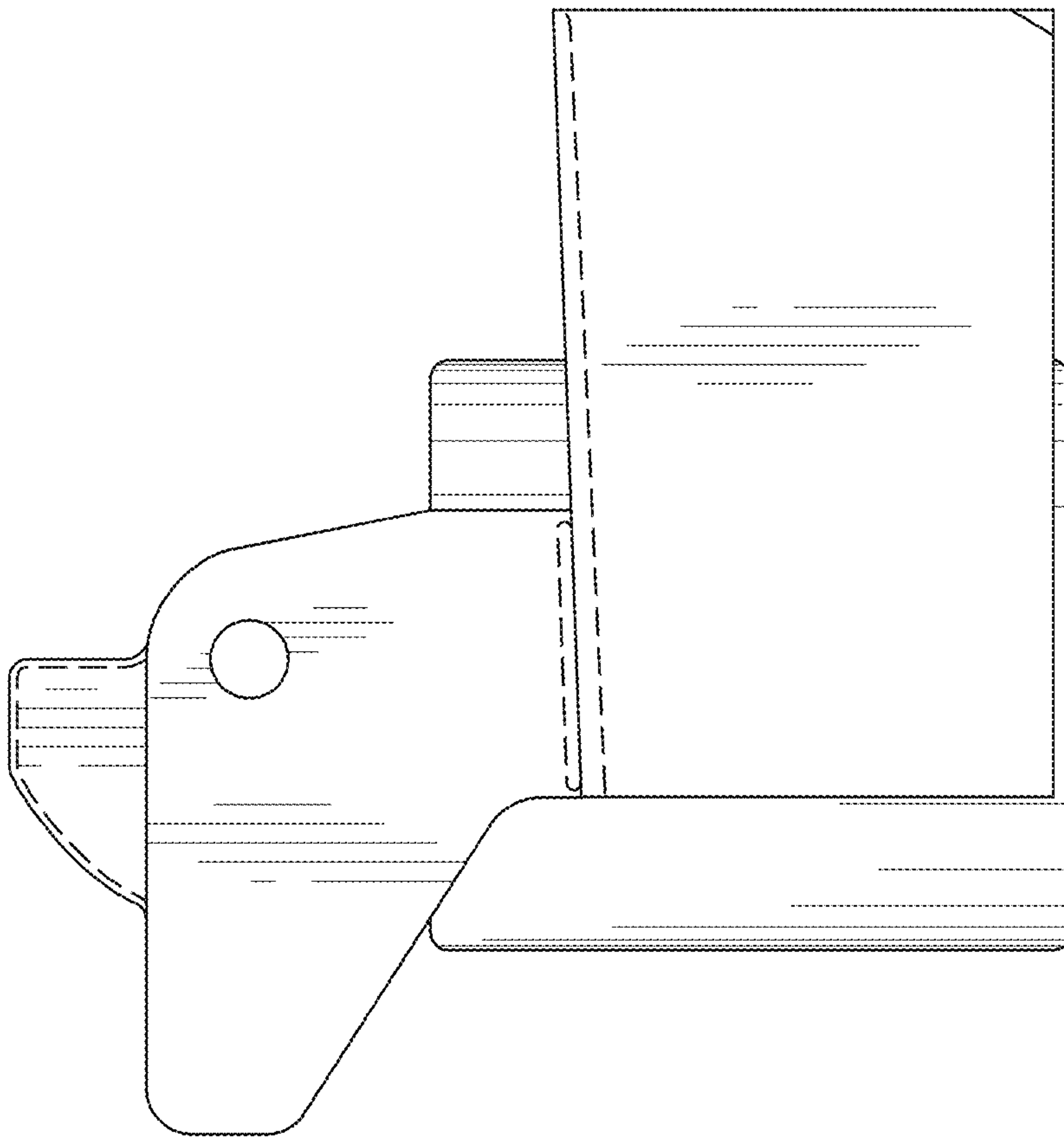


Fig. 6



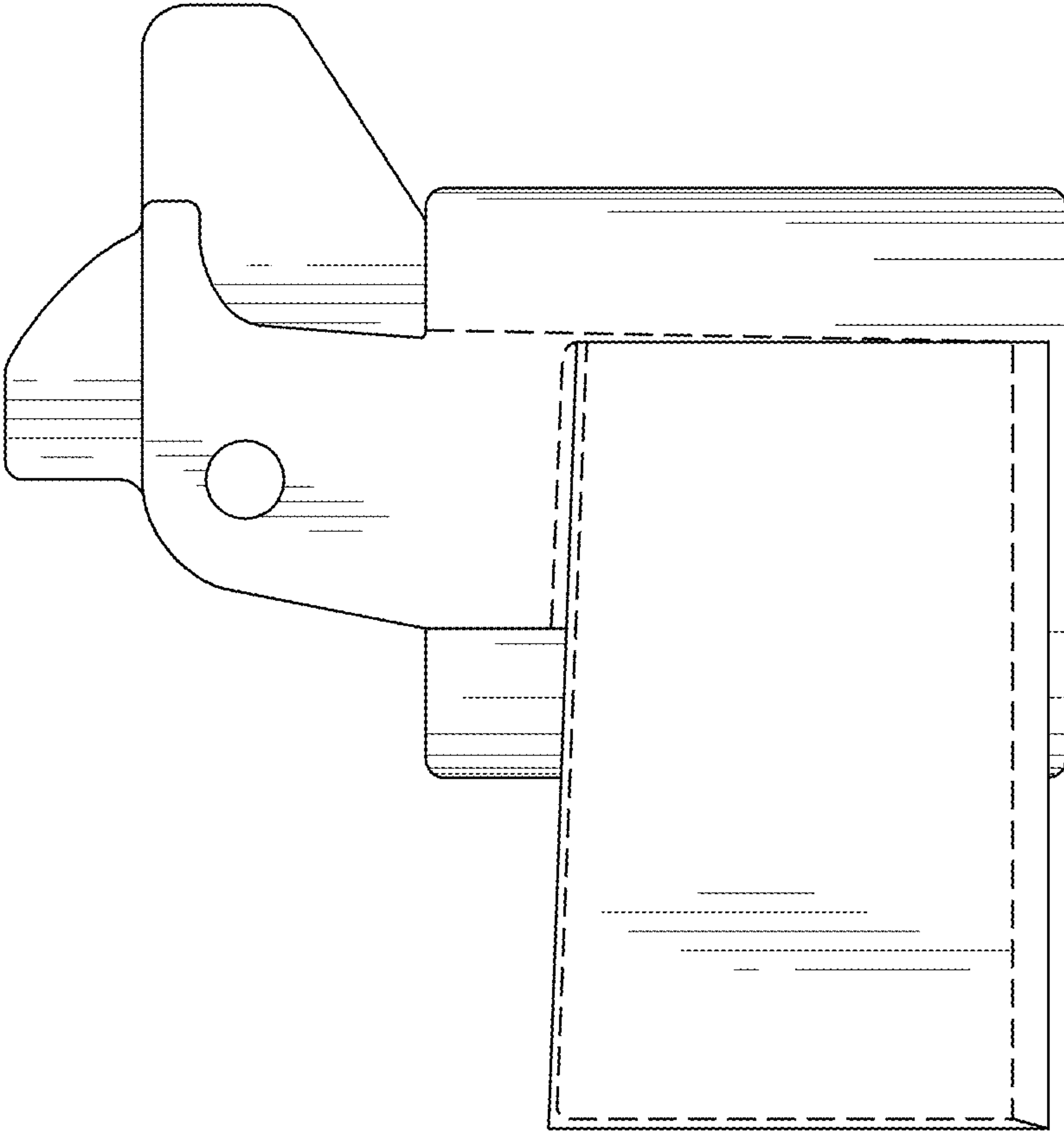


Fig. 7