



US00D818338S

(12) **United States Design Patent** (10) **Patent No.:** **US D818,338 S**
Jones (45) **Date of Patent:** **** May 22, 2018**

(54) **HAMMER**
(71) Applicant: **M&Y Trading Corp.**, Carteret, NJ (US)
(72) Inventor: **Linda Jones**, Hadlow (GB)
(73) Assignee: **M&Y Trading Corp.**, Carteret, NJ (US)
(**) Term: **15 Years**
(21) Appl. No.: **29/582,625**
(22) Filed: **Oct. 28, 2016**

Related U.S. Application Data

(63) Continuation-in-part of application No. 29/484,382, filed on Mar. 8, 2014.
(51) **LOC (11) Cl.** **08-02**
(52) **U.S. Cl.**
USPC **D8/77**
(58) **Field of Classification Search**
USPC D8/75, 76, 77, 78, 79, 80, 81, 88, 89
CPC ... B25D 1/00; B25D 1/02; B25D 1/04; B25D 1/045; B25D 1/06; B25D 1/12; B25G 1/02
See application file for complete search history.

References Cited

U.S. PATENT DOCUMENTS

D182,132 S * 2/1958 MacMinn D21/728
2,928,444 A * 3/1960 Ivins B25D 1/02
473/329
3,040,792 A * 6/1962 West B25D 1/02
81/19

(Continued)

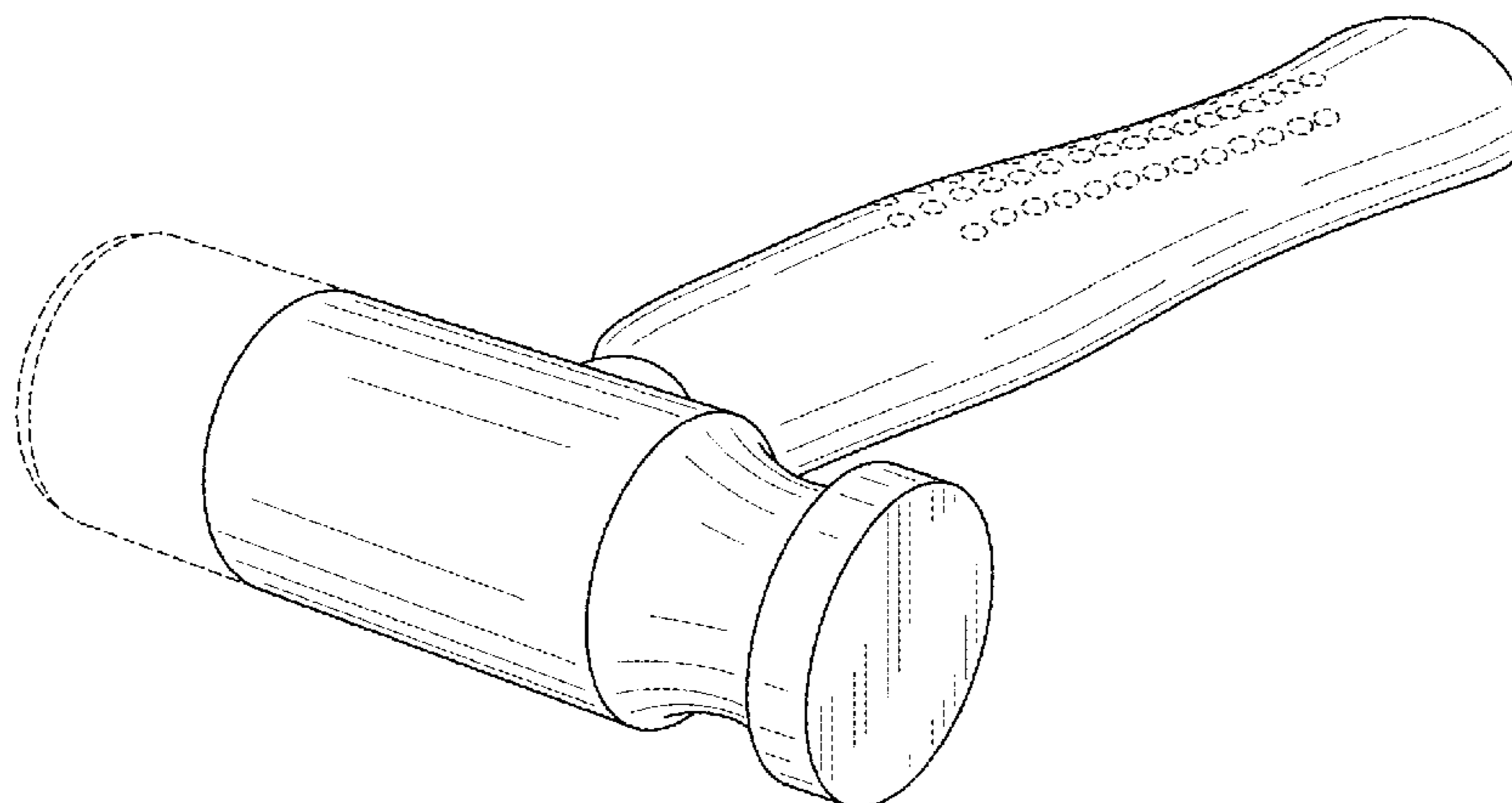
Primary Examiner — Phillip S Hyder
(74) *Attorney, Agent, or Firm* — Stern & Schurin LLP

(57) **CLAIM**
The ornamental design for a hammer, as shown and described.

DESCRIPTION

FIG. 1 is a top, front and left-side perspective view showing my new design for a hammer with two different striking faces, one of which is shown in broken lines;
FIG. 2 is a bottom, front and right-side perspective view thereof;
FIG. 3 is a bottom, front and right-side perspective view thereof, wherein the broken line striking head is separated from the rest of the hammer;
FIG. 4 is a top plan view thereof, wherein the broken line striking head is separated from the rest of the hammer;
FIG. 5 is a top plan view thereof;
FIG. 6 is a bottom plan view thereof;
FIG. 7 is left side view thereof;
FIG. 8 is a right side view thereof;
FIG. 9 is a front elevational view thereof;
FIG. 10 is a rear elevational view thereof;
FIG. 11 is a top, front and left-side perspective view showing my new design for a hammer as above, except that the striking face shown in broken lines differs from that in FIGS. 1-10.
FIG. 12 is a bottom, front and right-side perspective view thereof;
FIG. 13 is a bottom, front and right-side perspective view thereof, wherein the broken line striking head is separated from the rest of the hammer;
FIG. 14 is a top plan view thereof, wherein the broken line striking head is separated from the rest of the hammer;
FIG. 15 is a top plan view thereof;
FIG. 16 is a bottom plan view thereof;
FIG. 17 is left side view thereof;
FIG. 18 is a right side view thereof;
FIG. 19 is a front elevational view thereof; and,
FIG. 20 is a rear elevational view thereof.
Broken lines in the figures illustrate features of the hammer that form no part of the claim.

1 Claim, 20 Drawing Sheets



(56)

References Cited

U.S. PATENT DOCUMENTS

3,088,506 A * 5/1963 Bianchini B25D 1/02
81/19
3,456,330 A * 7/1969 Norcross B25D 1/02
164/98
3,844,321 A * 10/1974 Cook B25D 1/00
273/DIG. 8
D286,284 S * 10/1986 Sasaki D14/138 R
D302,932 S * 8/1989 Chapin D8/75
5,123,303 A * 6/1992 Lee B25D 1/00
254/26 R
D339,972 S * 10/1993 Forman D8/77
D413,780 S * 9/1999 Beam D8/75
D649,246 S * 11/2011 Prichett D24/142
D651,886 S * 1/2012 Clement D8/77
D779,906 S * 2/2017 Kraljic D8/77

* cited by examiner

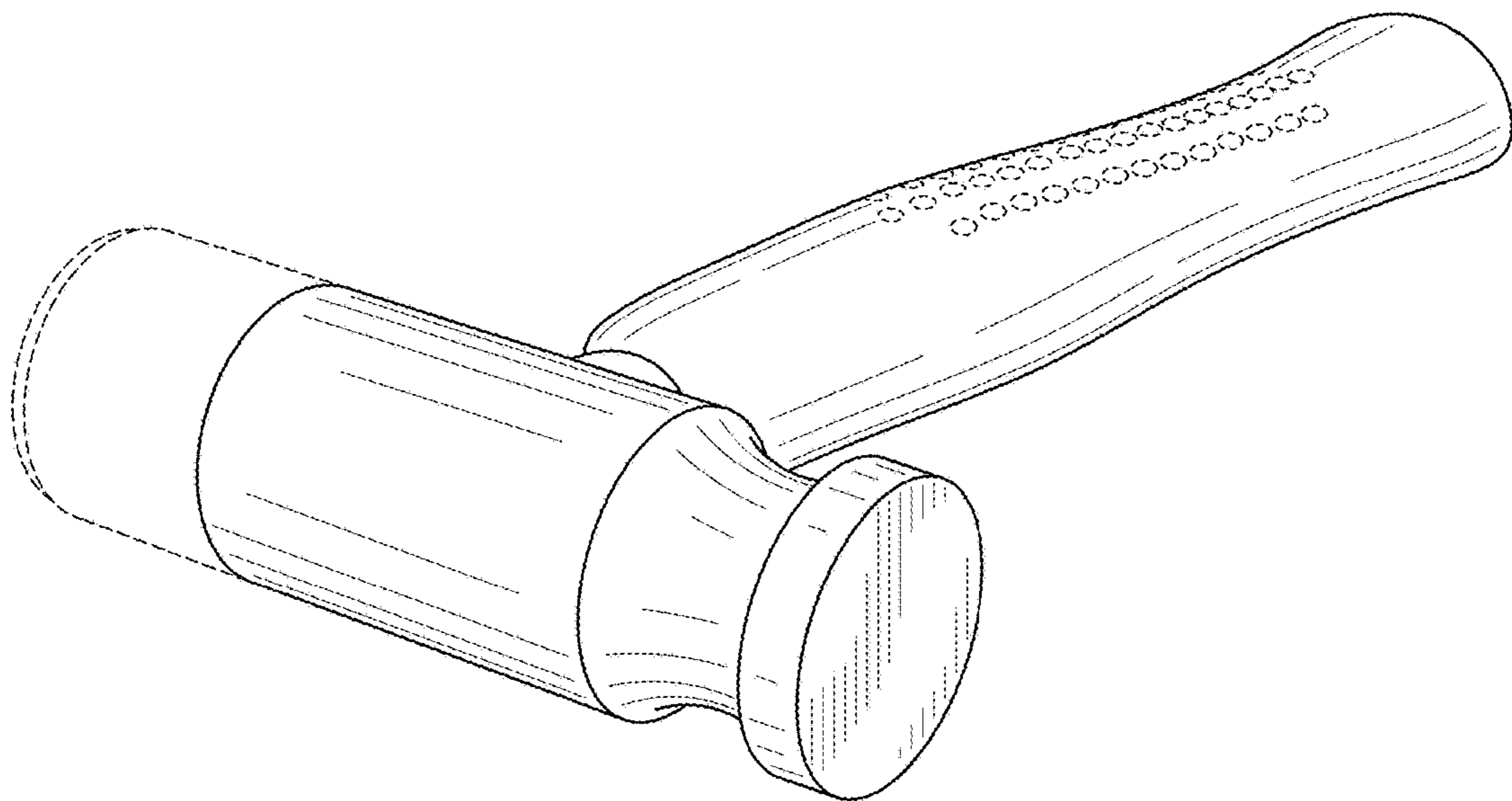


FIG. 1

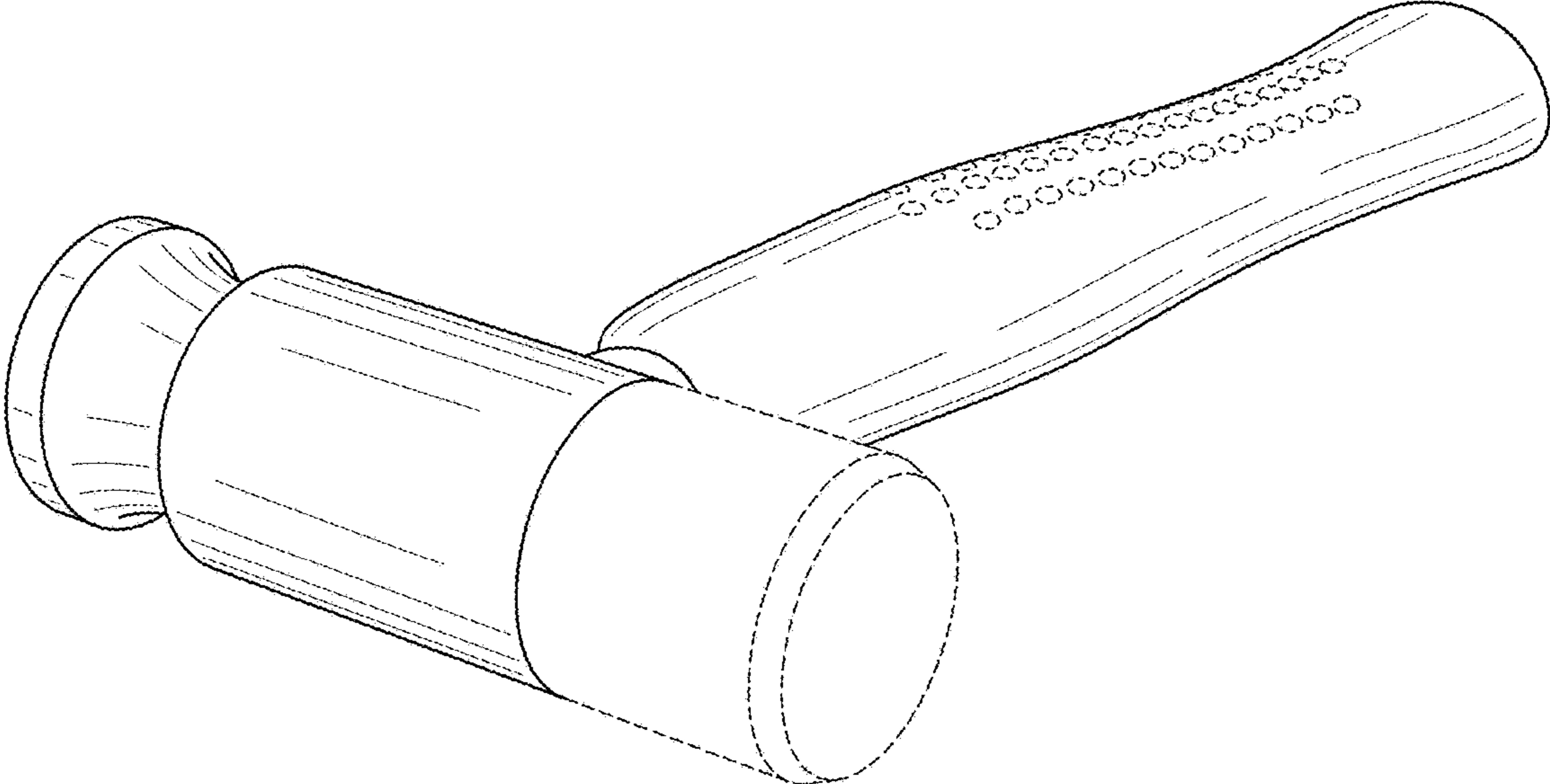


FIG. 2

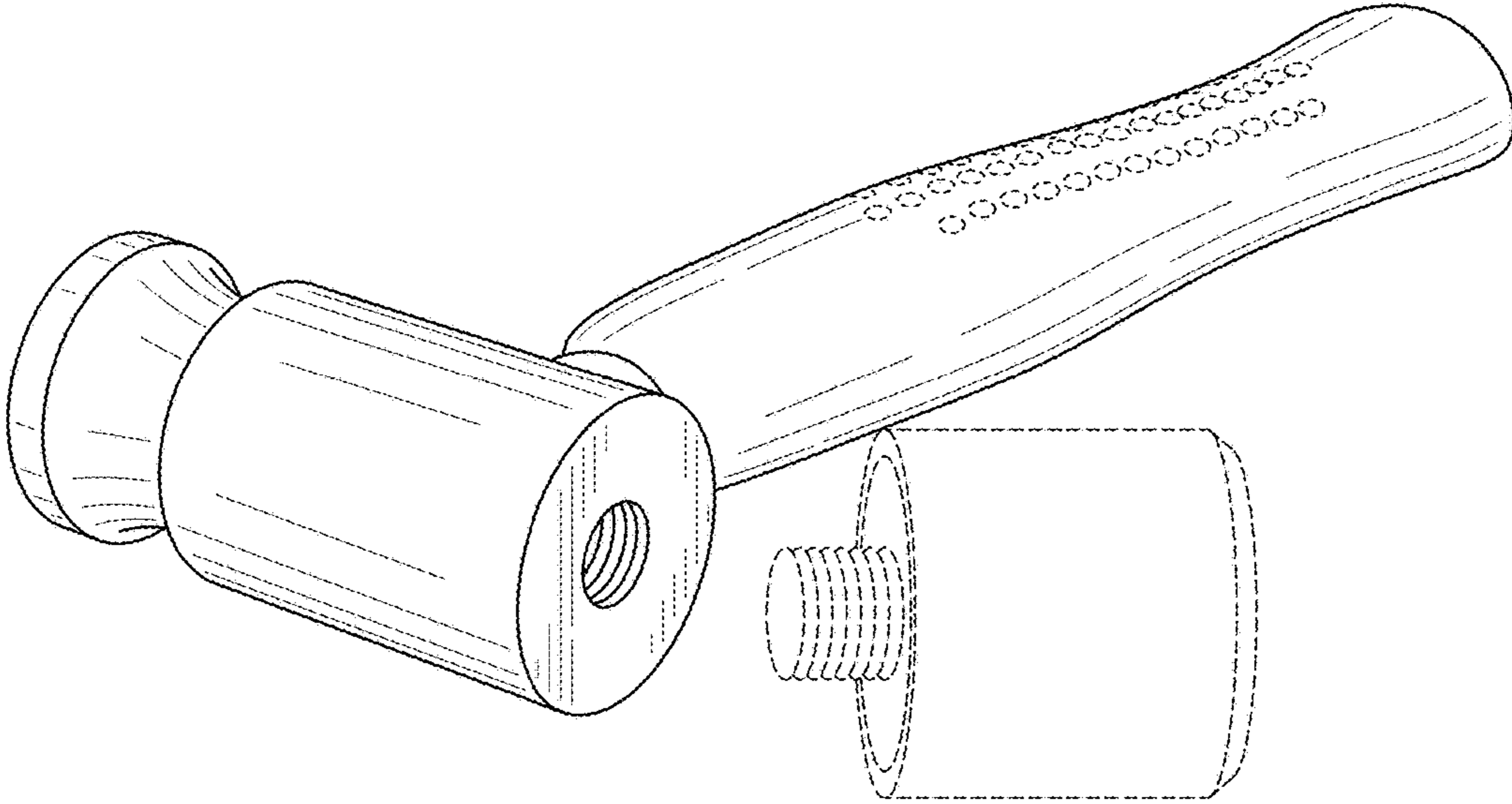


FIG. 3

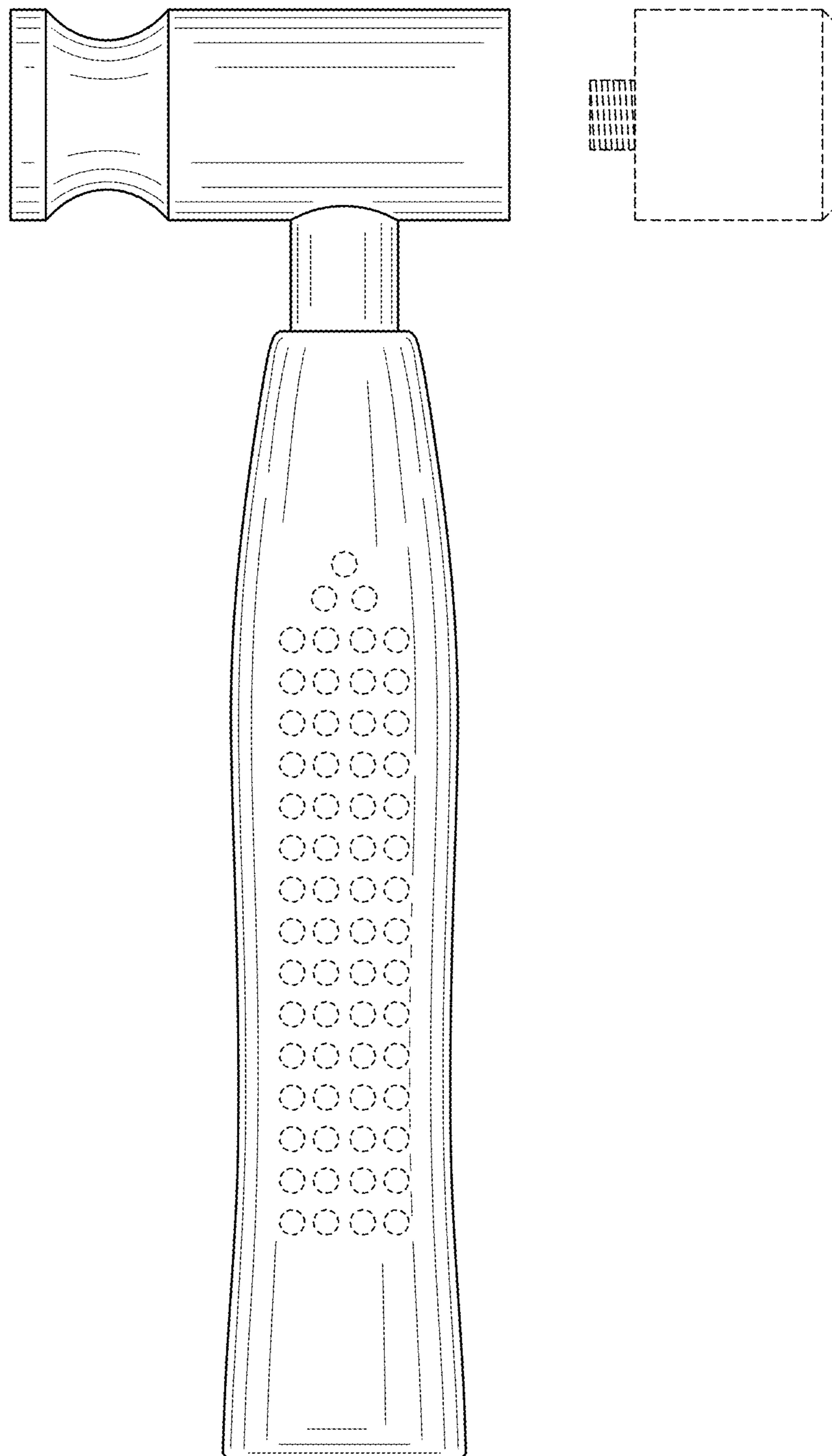


FIG. 4

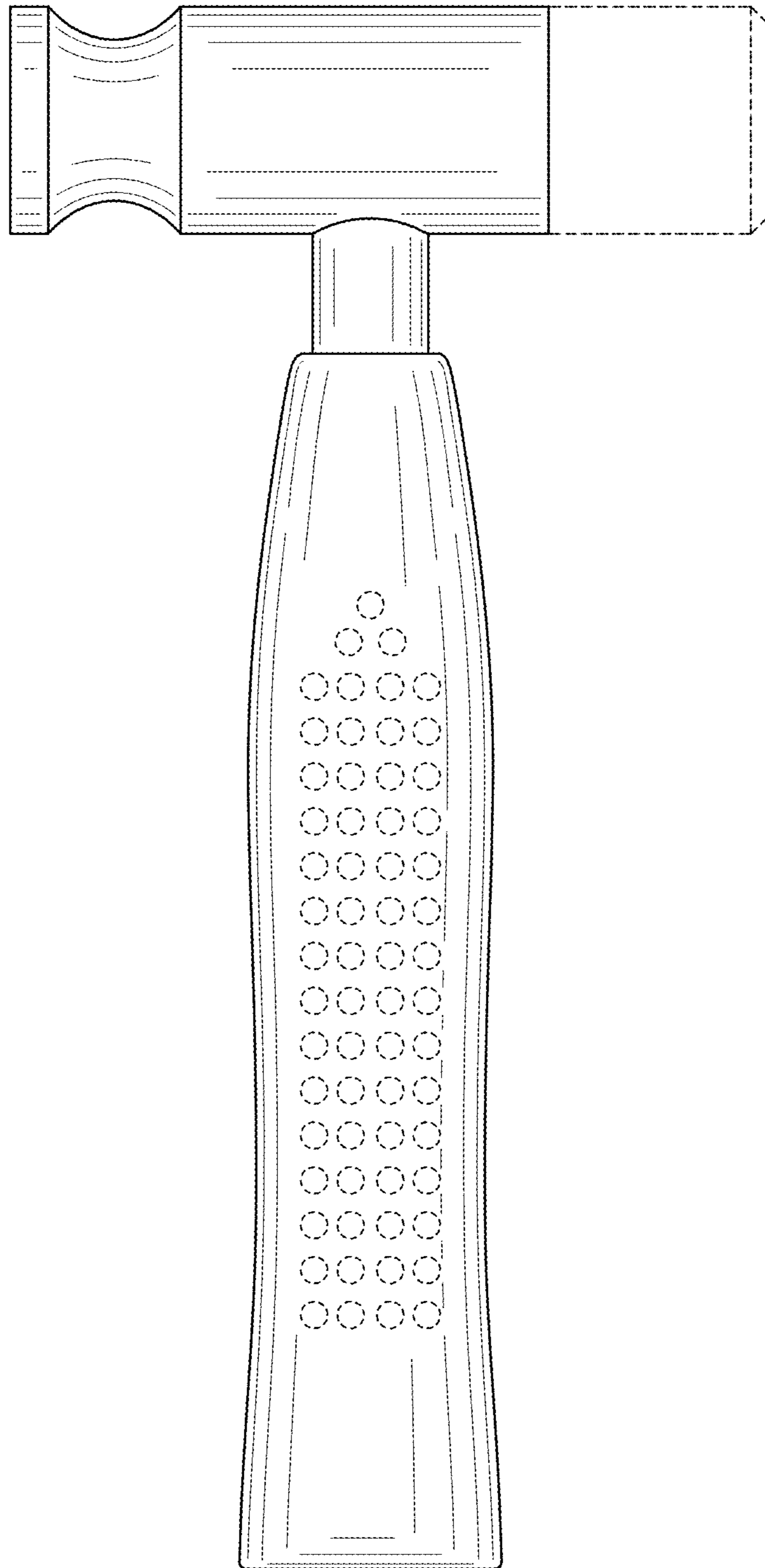


FIG. 5

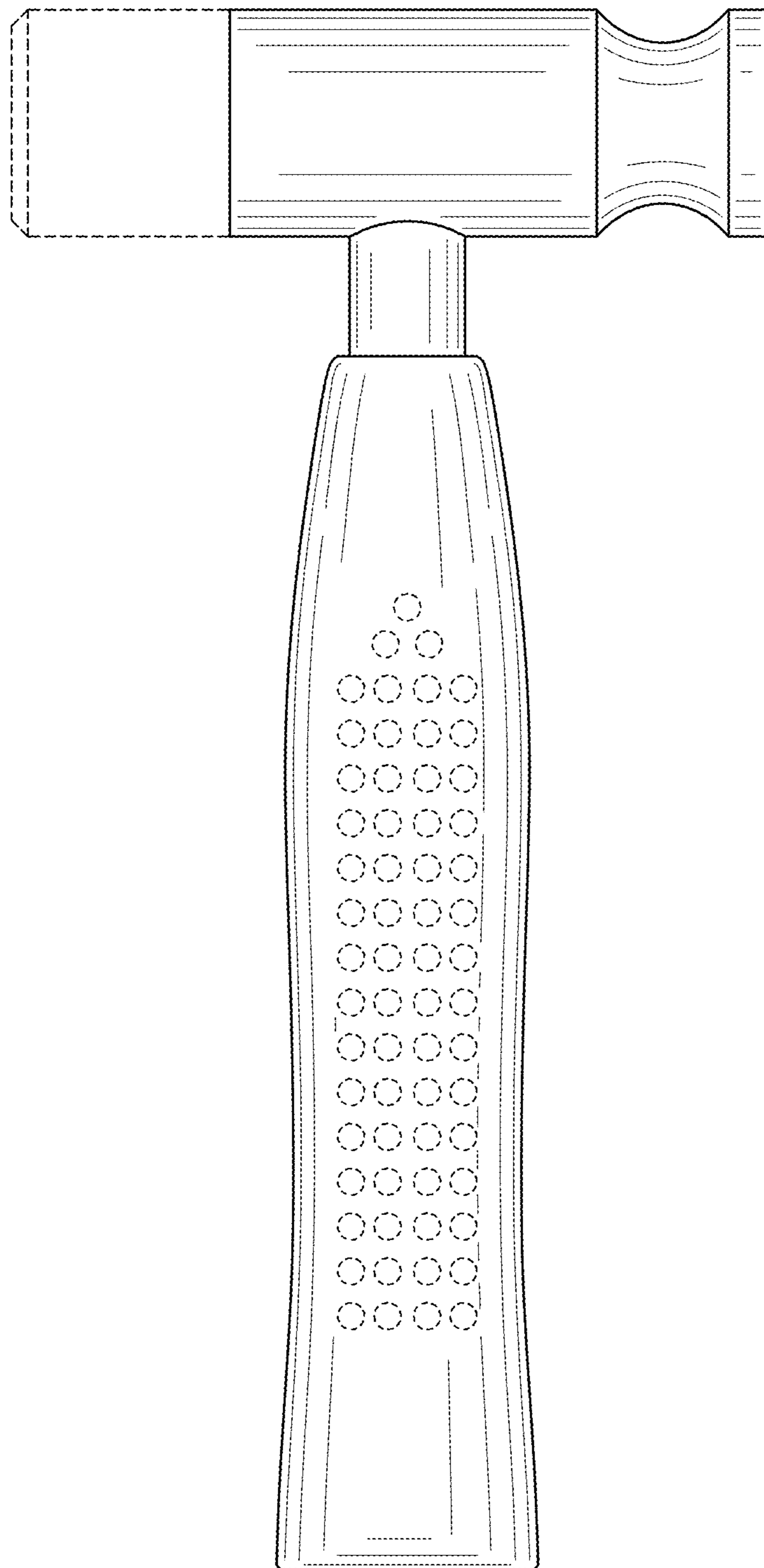


FIG. 6

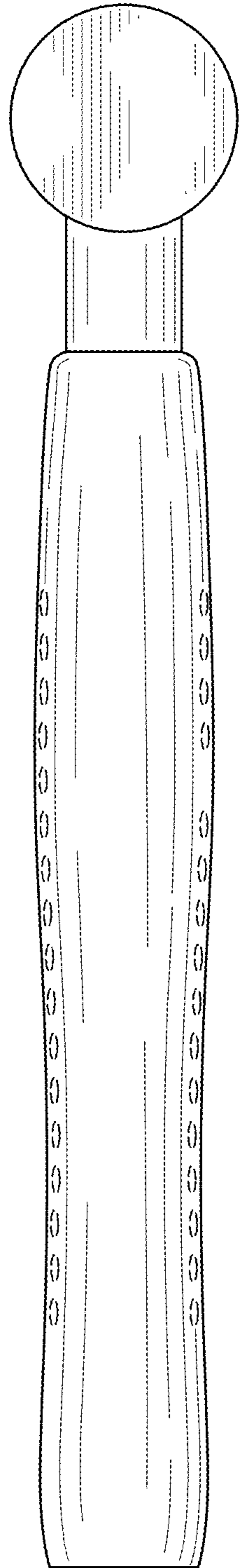


FIG. 7

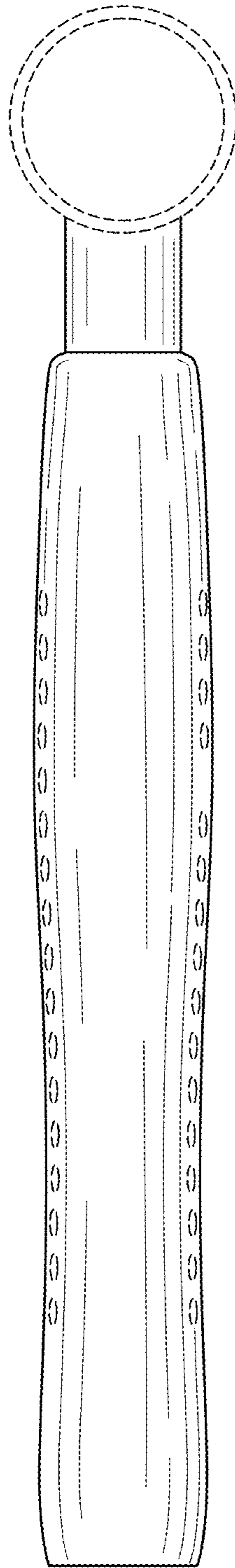


FIG. 8

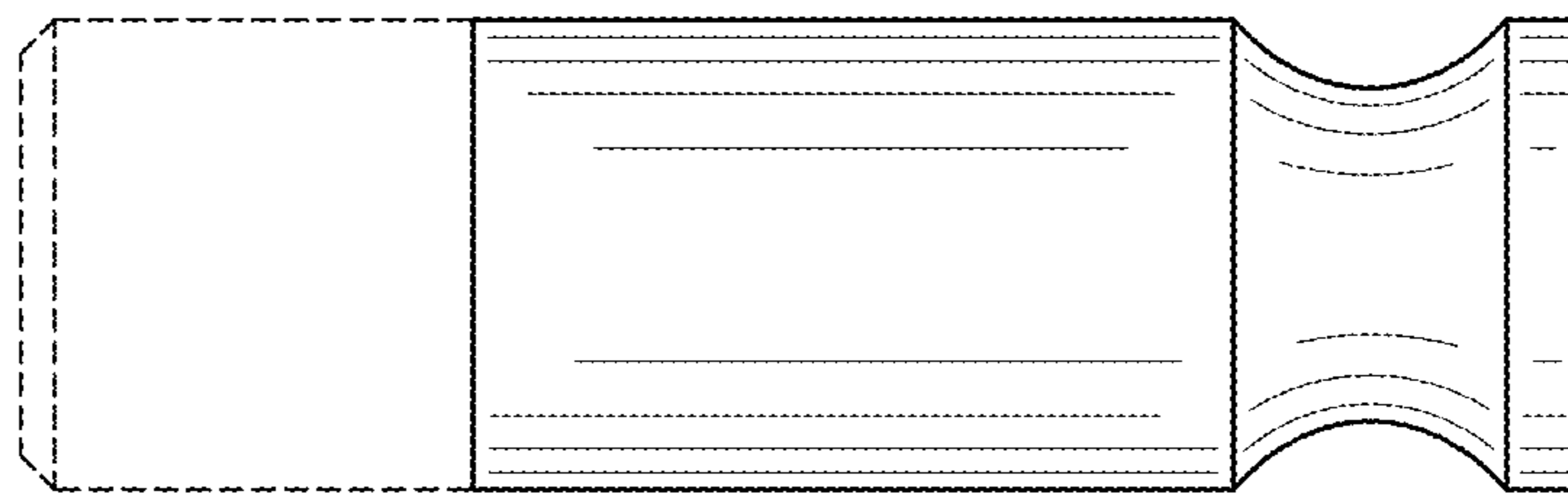


FIG. 9

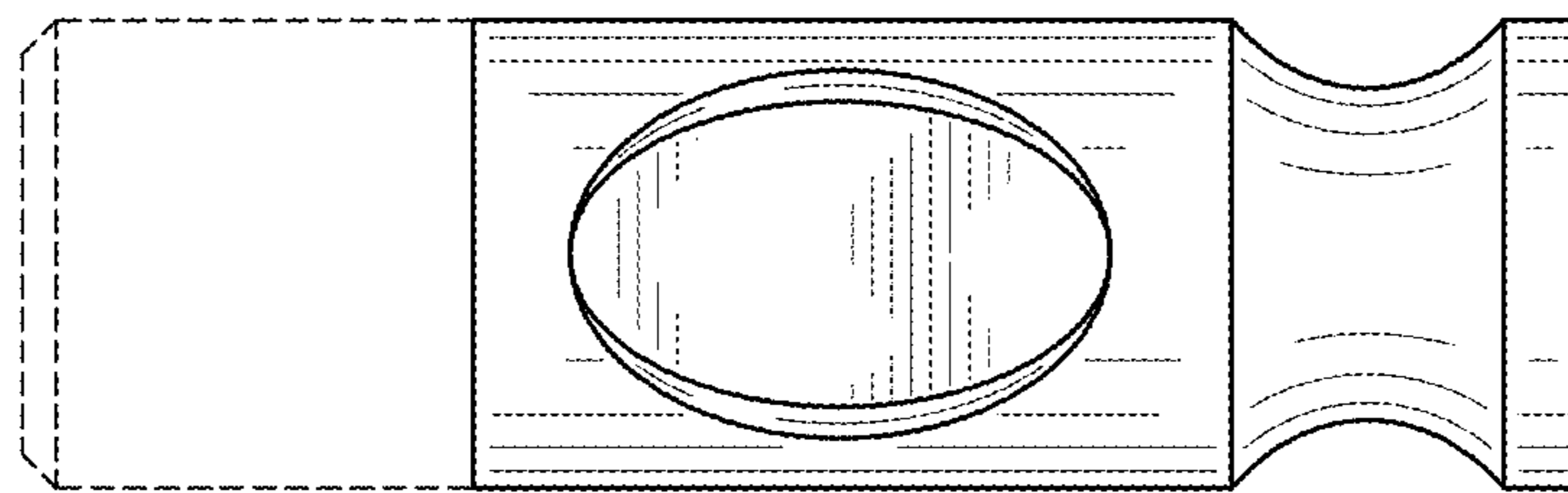


FIG. 10

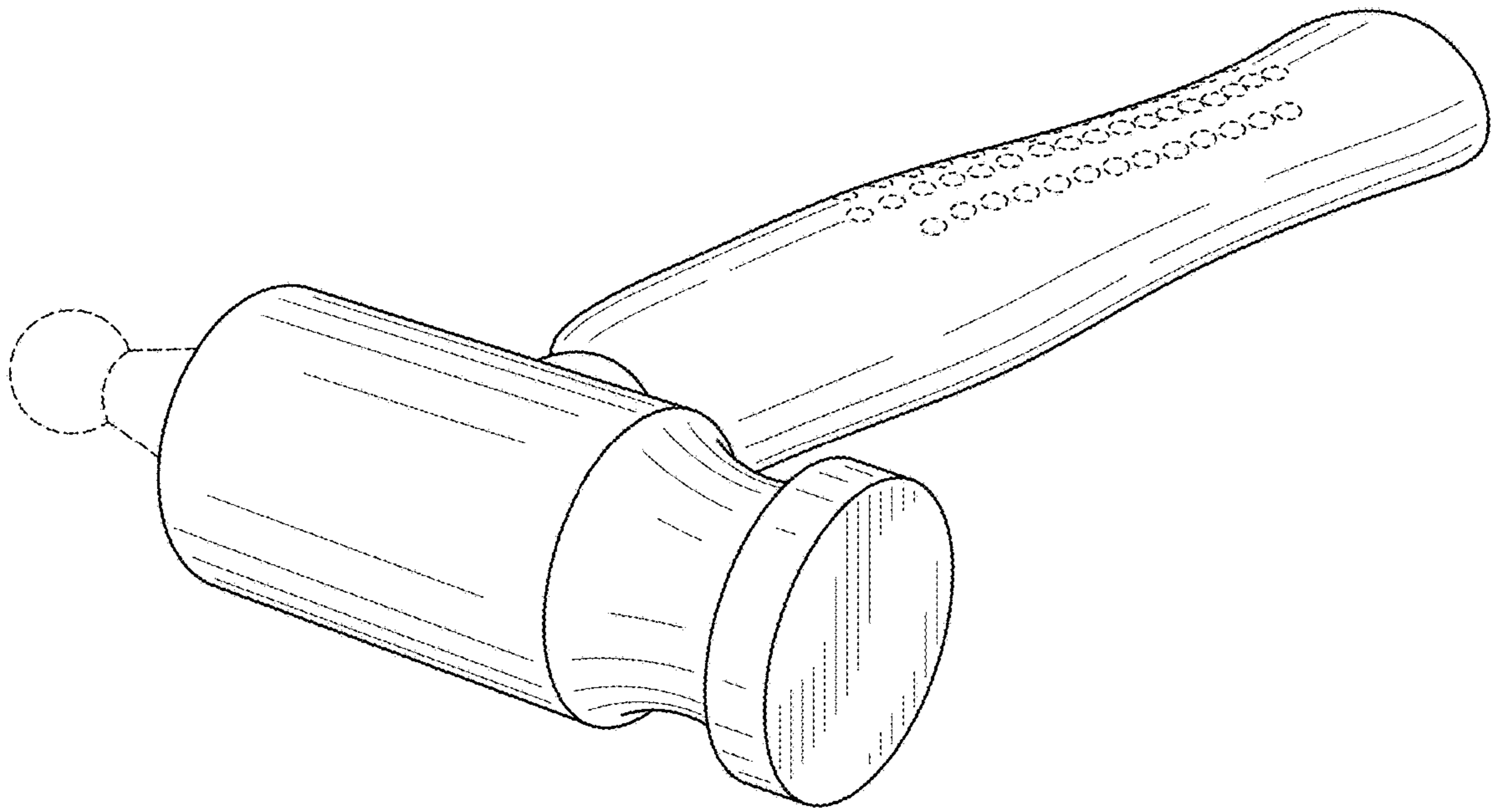


FIG. 11

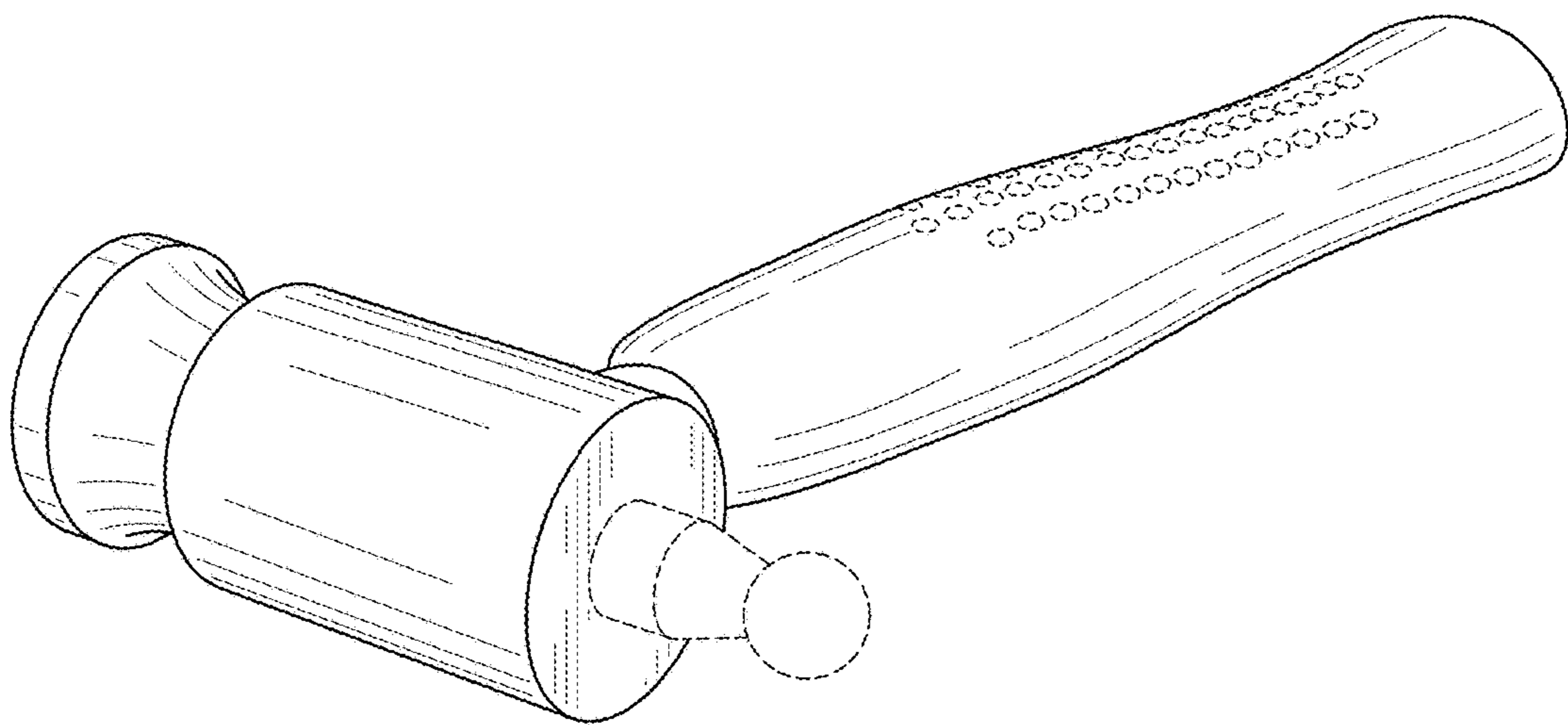


FIG. 12

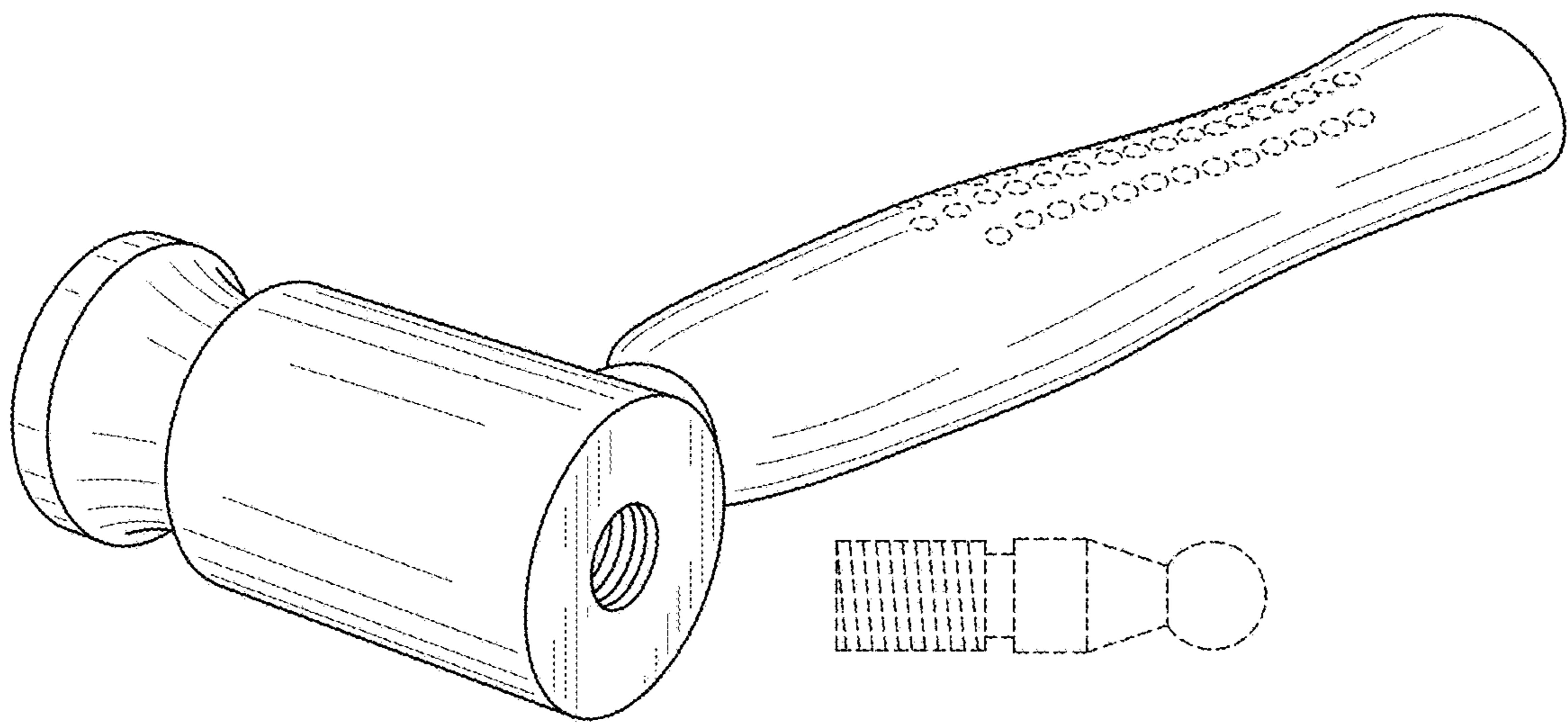


FIG. 13

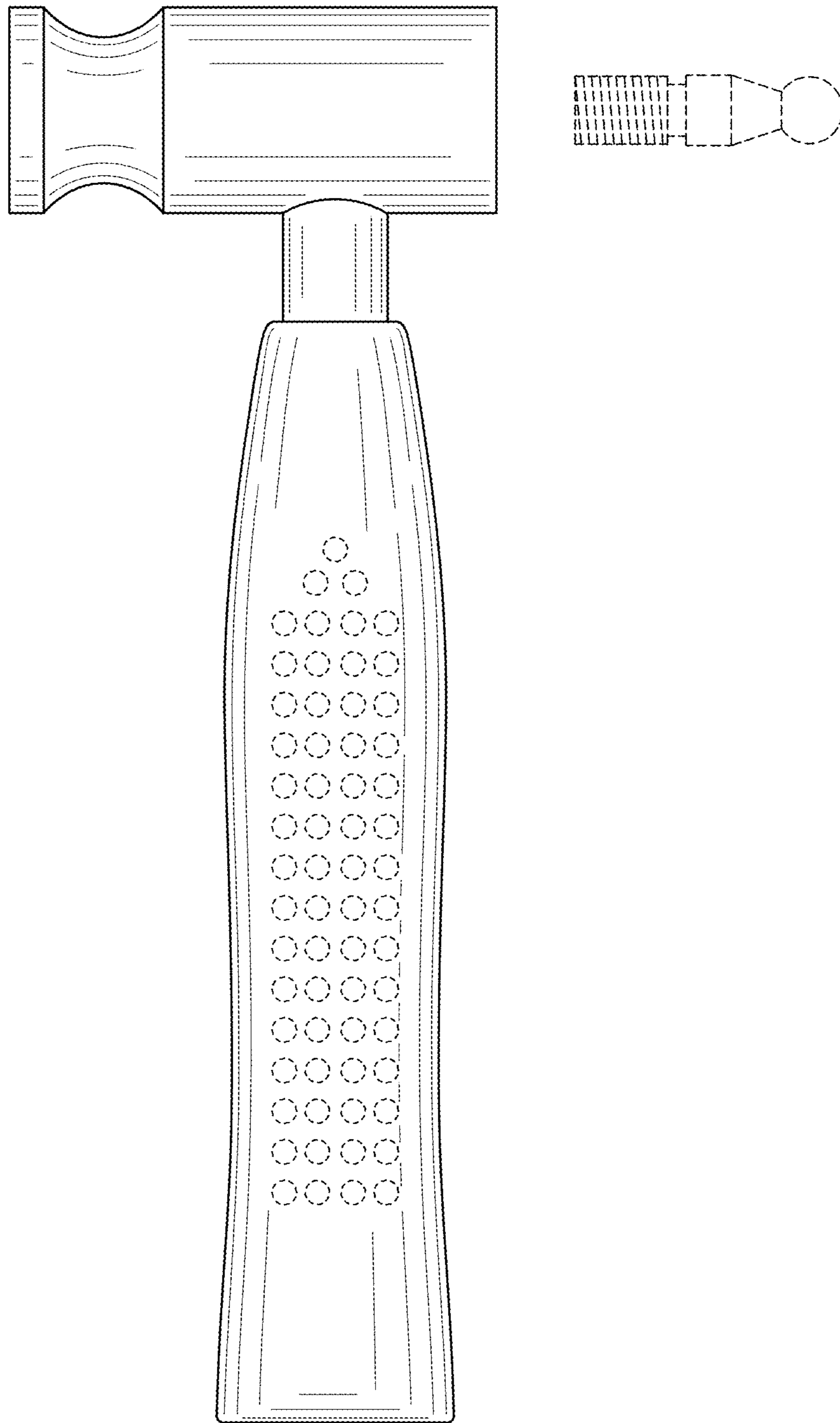


FIG. 14

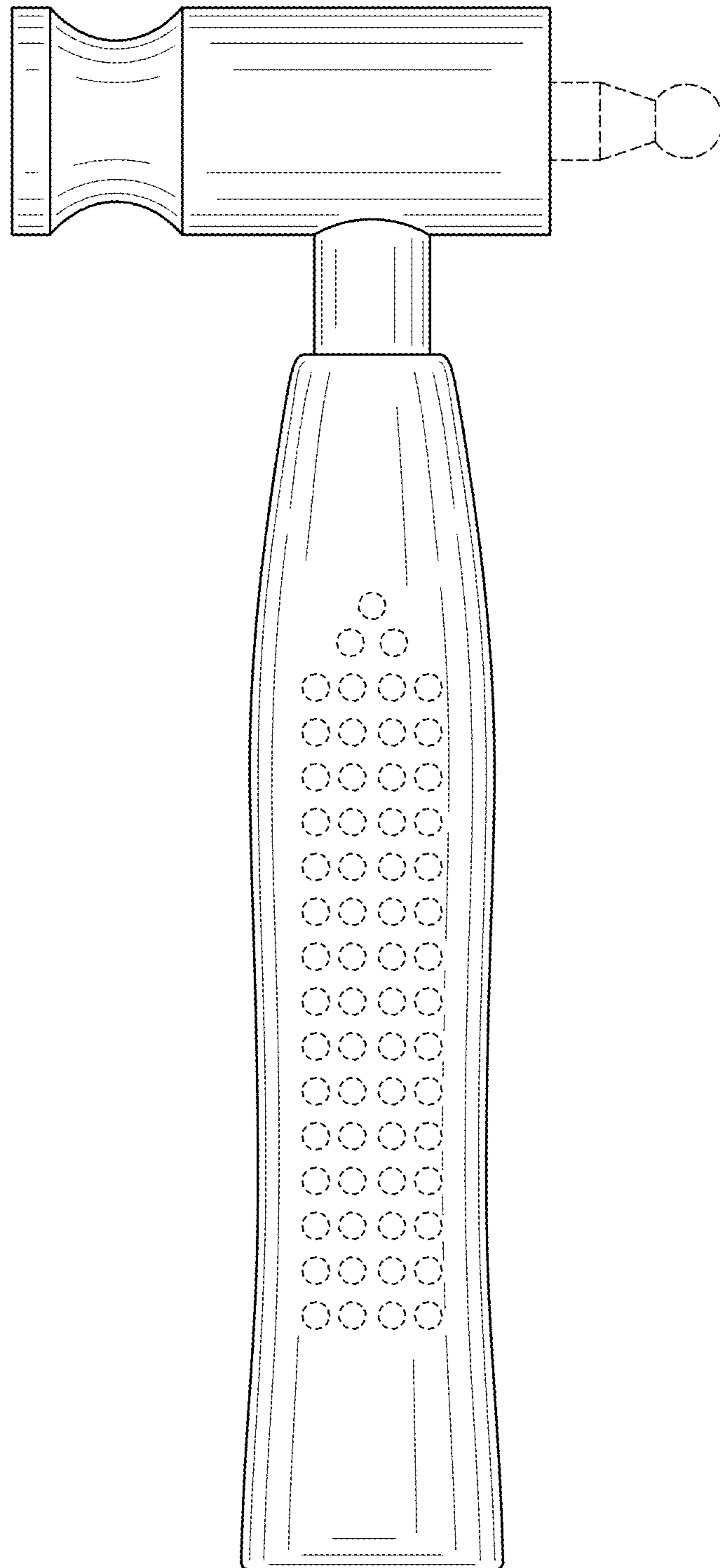


FIG. 15

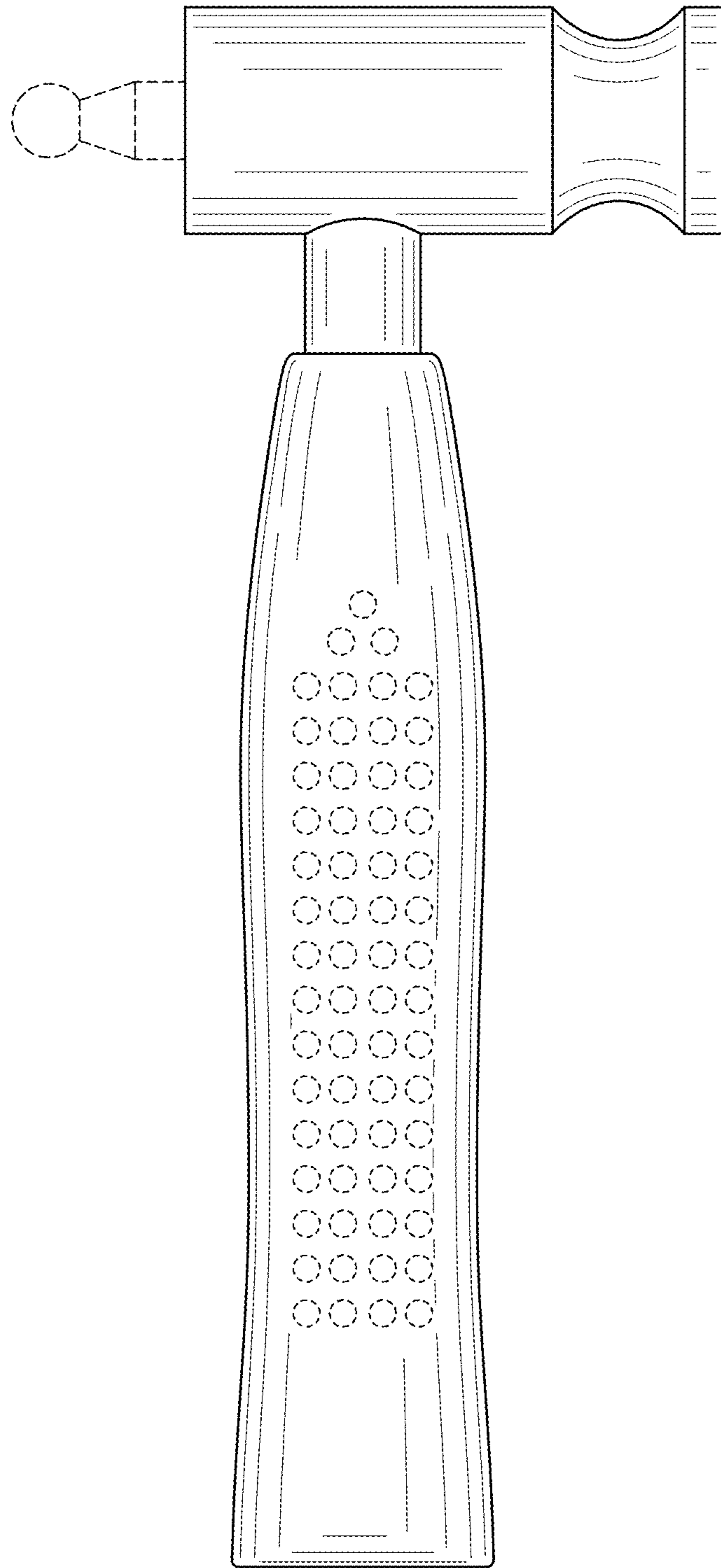


FIG. 16

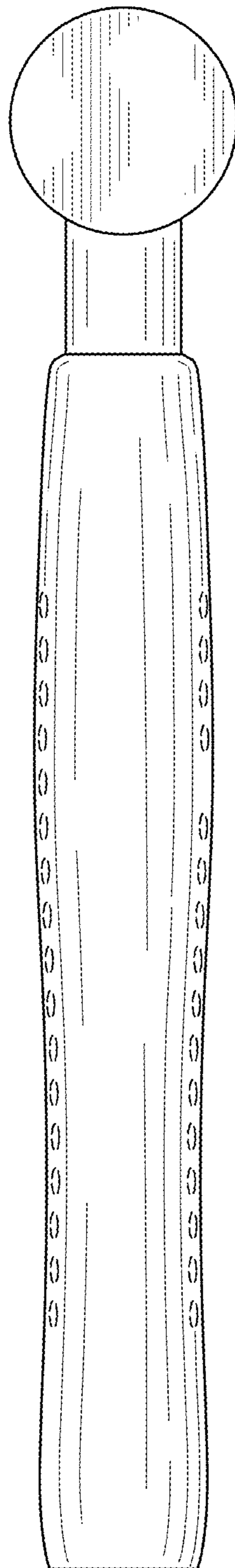


FIG. 17

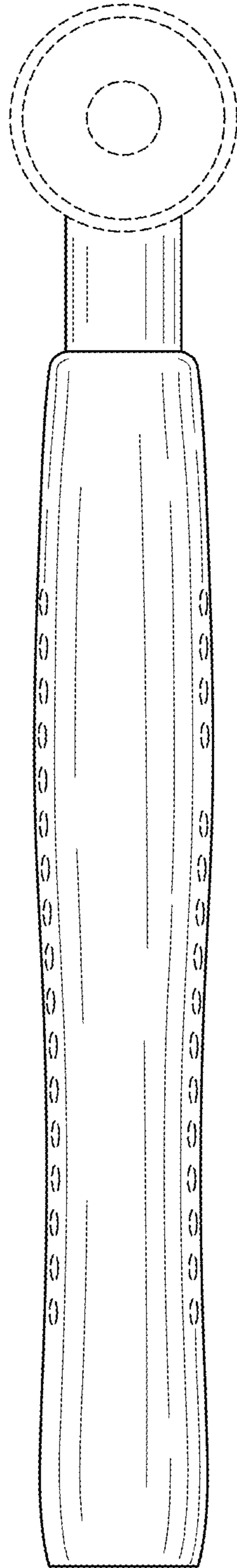


FIG. 18

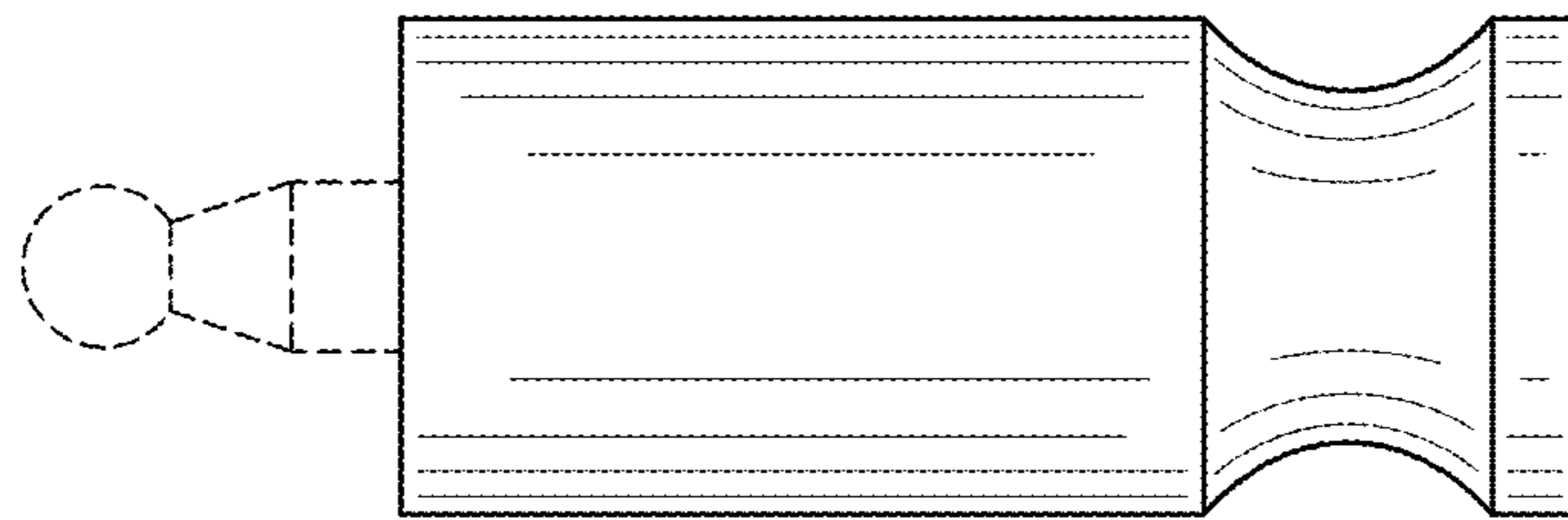


FIG. 19

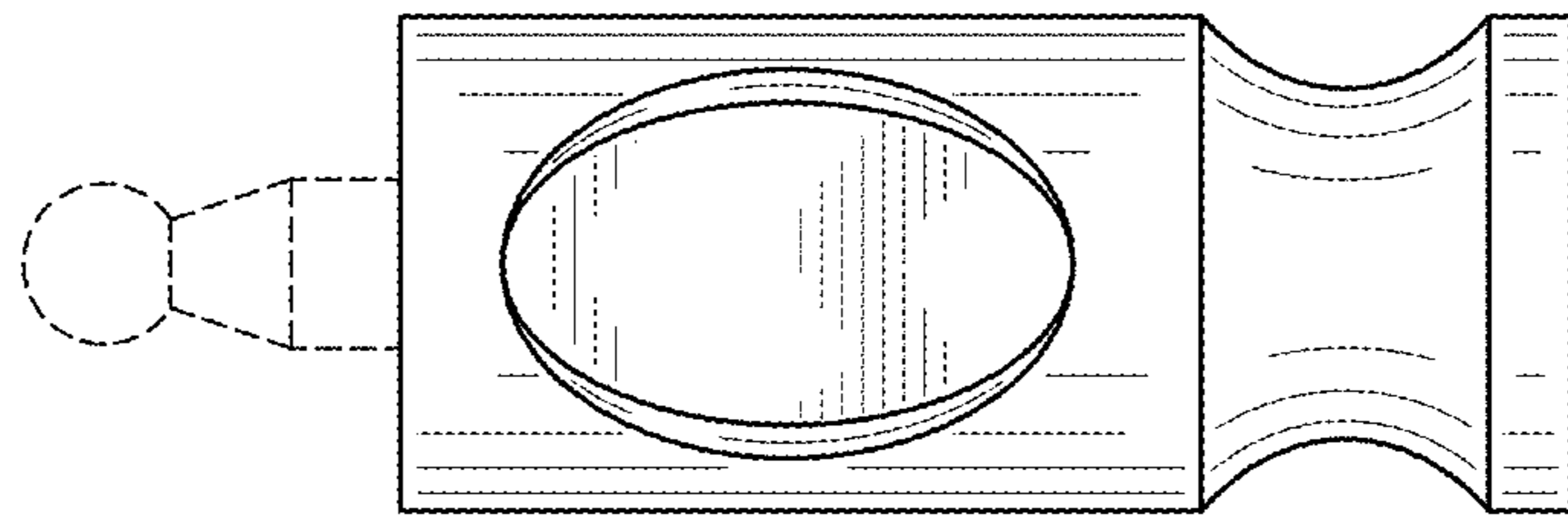


FIG. 20