

US00D818336S

(12) **United States Design Patent** (10) **Patent No.:** **US D818,336 S**
Goodman et al. (45) **Date of Patent:** **** May 22, 2018**

(54) **TOOL HOLDER**

(71) Applicant: **Spectrum Diversified Designs, LLC**,
Streetsboro, OH (US)

(72) Inventors: **Aaron Goodman**, Beachwood, OH
(US); **Courtney Wilson**, Chardon, OH
(US)

5,531,415 A * 7/1996 Kallemeyn A47F 5/0815
211/59.1

D390,056 S * 2/1998 Pujals, Jr. D6/566

D401,461 S * 11/1998 Laga D6/566

D419,355 S * 1/2000 Simcox D6/571

2006/0067661 A1* 3/2006 Pierzynski A47F 5/0807
396/71

(73) Assignee: **Spectrum Diversified Designs, LLC**,
Streetsboro, OH (US)

(**) Term: **15 Years**

OTHER PUBLICATIONS

<https://www.spectrumdiversified.com/products/Pegboard-Tool-Holder>; 1 page, at least as early as Feb. 25, 2017

(21) Appl. No.: **29/596,786**

(22) Filed: **Mar. 10, 2017**

(51) **LOC (11) Cl.** **08-05**

(52) **U.S. Cl.**
USPC **D8/71**

(58) **Field of Classification Search**
USPC D8/71, 72, 73, 74, 373; D6/400, 553,
D6/569, 328, 513; D15/133, 140;
248/218.4, 219.2

* cited by examiner

Primary Examiner — Lakiya G Rogers
Assistant Examiner — Harold E Blackwell, II

(74) *Attorney, Agent, or Firm* — Tucker Ellis LLP;
Patrick F. Clunk

See application file for complete search history.

(56) **References Cited**

U.S. PATENT DOCUMENTS

D280,047 S * 8/1985 Benedict D6/328

D295,344 S * 4/1988 Pryor D6/317

D298,713 S * 11/1988 Hinderaker D6/552

4,895,334 A * 1/1990 Bajek A47L 13/51
248/302

D340,824 S * 11/1993 Pujals Jr. D6/566

(57) **CLAIM**

The ornamental design for a tool holder, as shown and described.

DESCRIPTION

FIG. 1 is a perspective view of a tool holder showing our new design.

FIG. 2 is a front view thereof.

FIG. 3 is a rear view thereof.

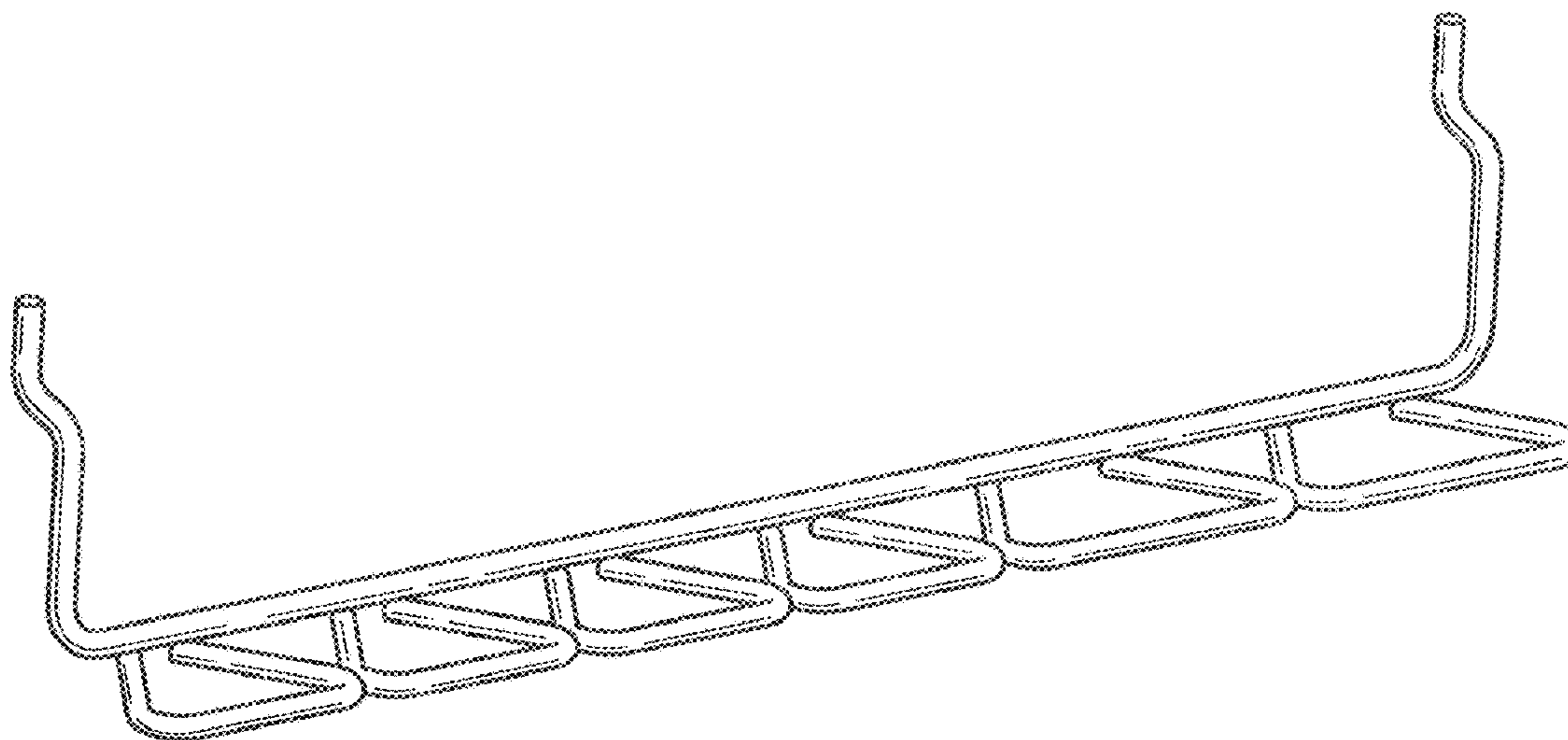
FIG. 4 is a left side view thereof.

FIG. 5 is a right side view thereof.

FIG. 6 is a top view thereof; and,

FIG. 7 is a bottom view thereof.

1 Claim, 4 Drawing Sheets



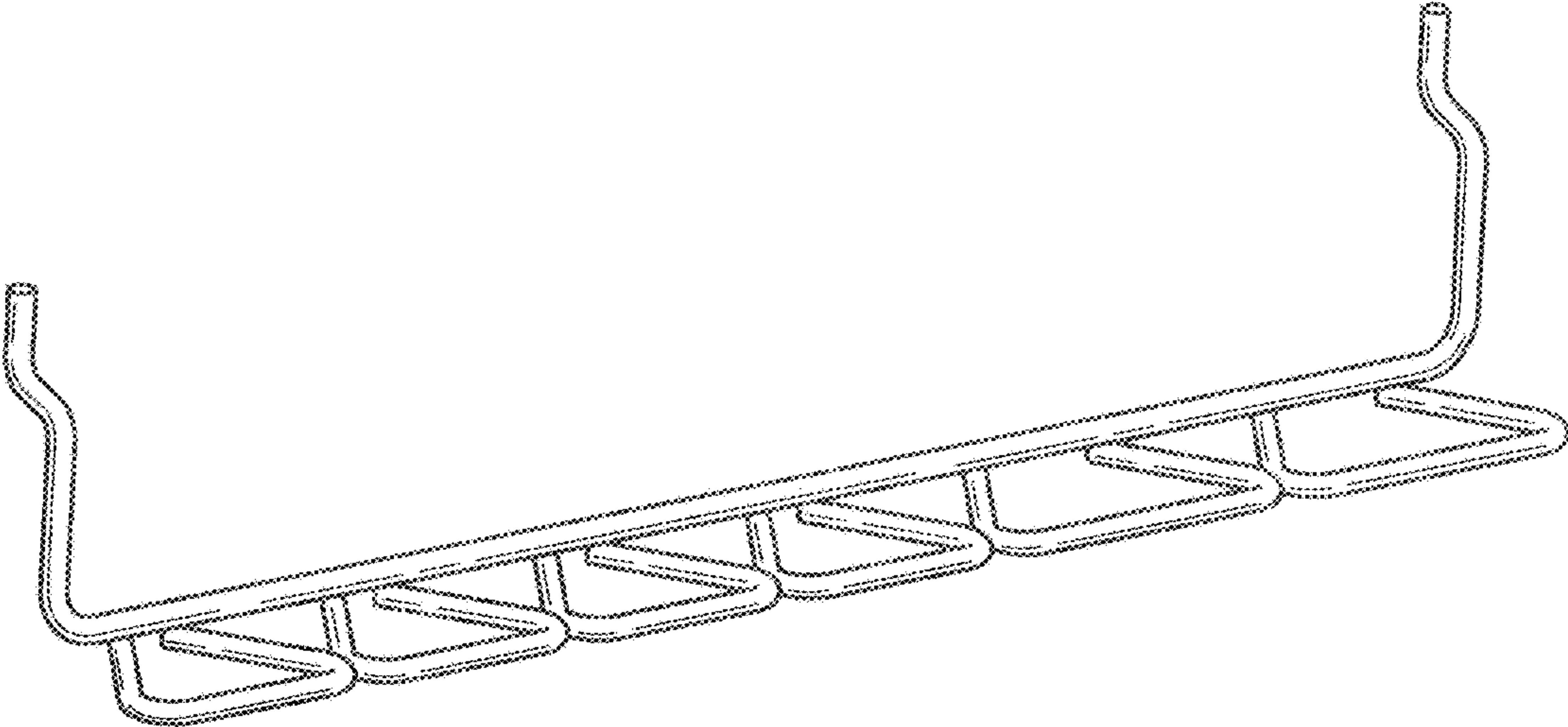


FIG. 1

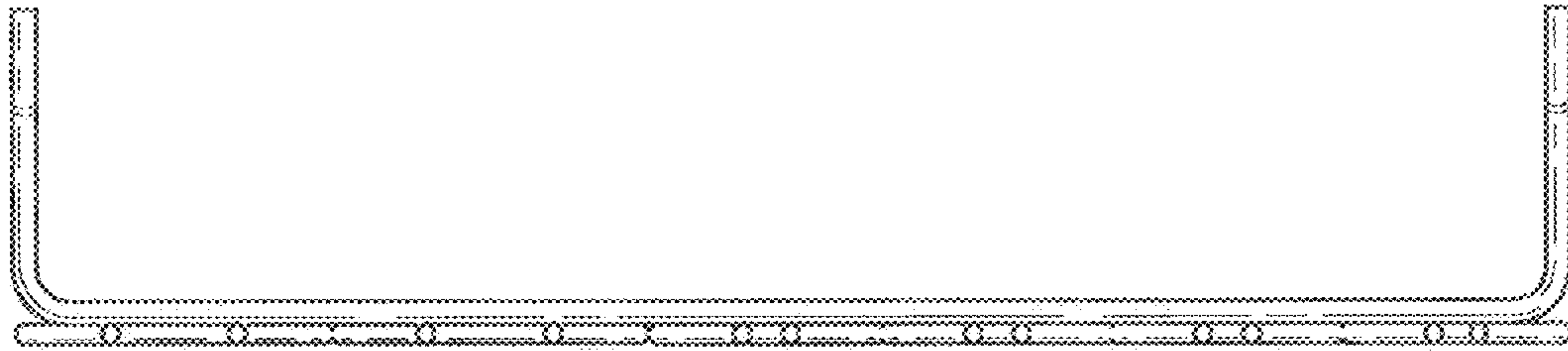


FIG. 2



FIG. 3

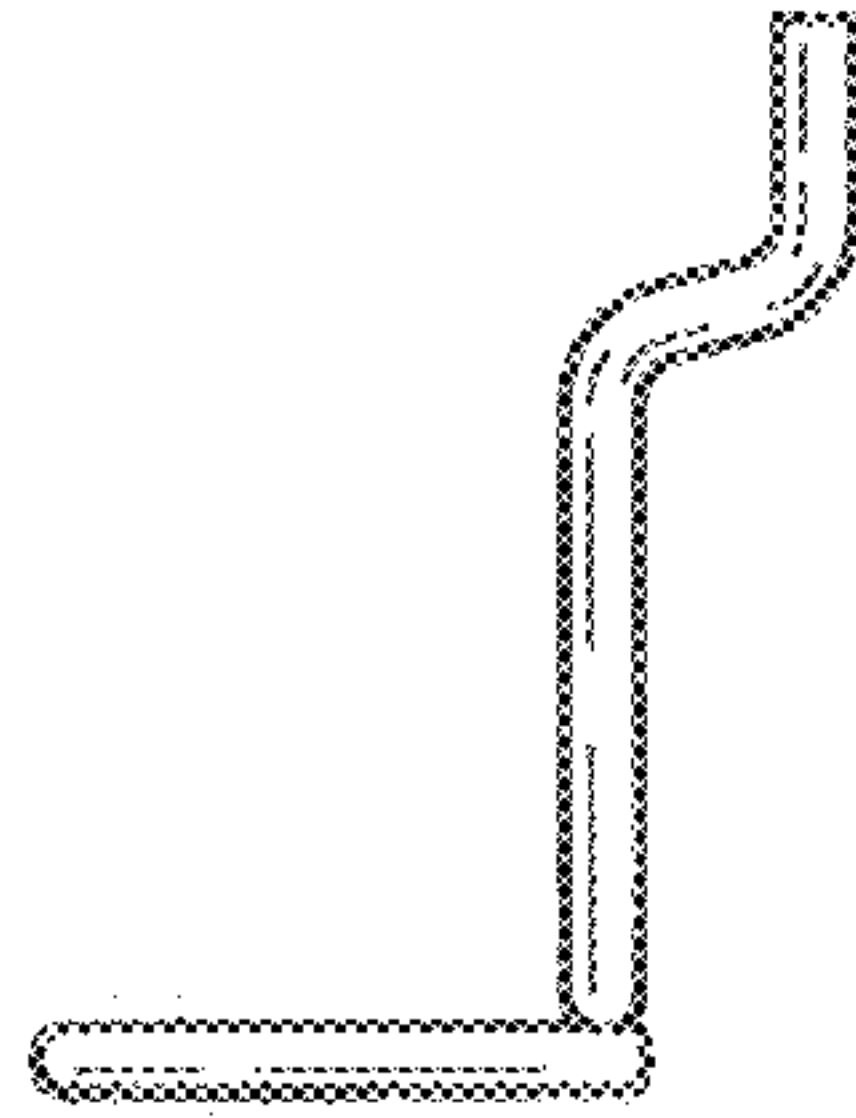


FIG. 4

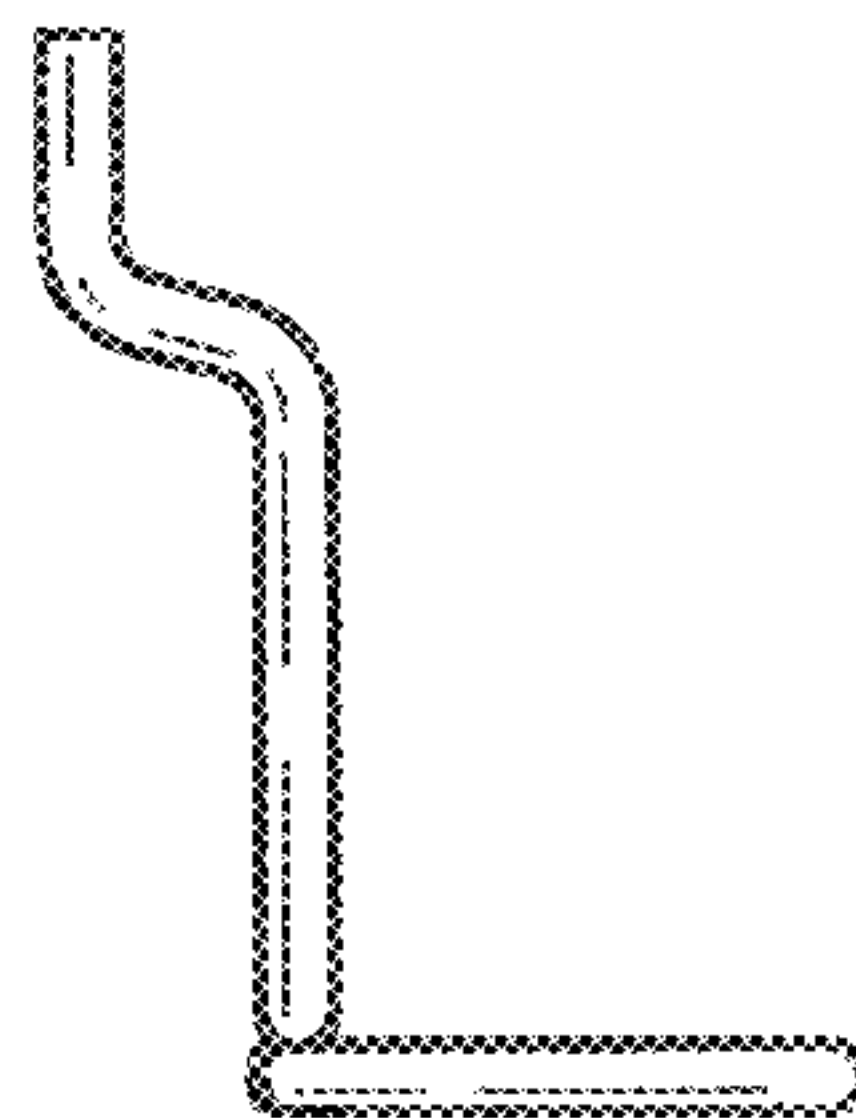


FIG. 5

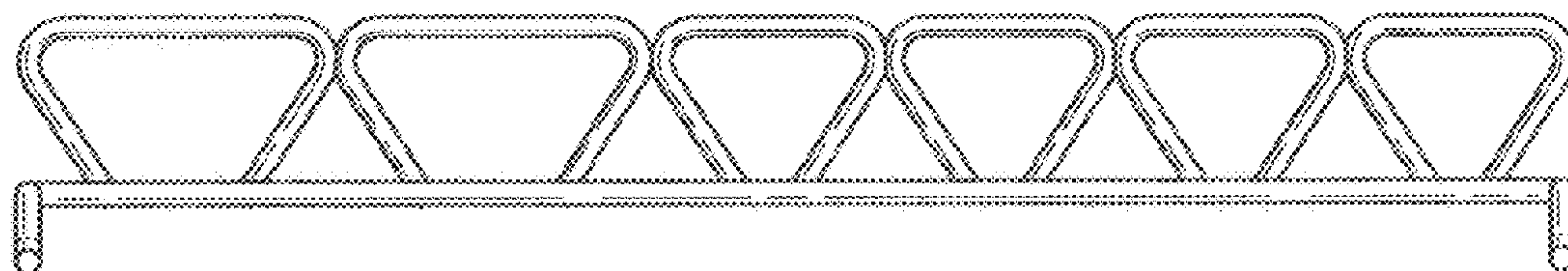


FIG. 6

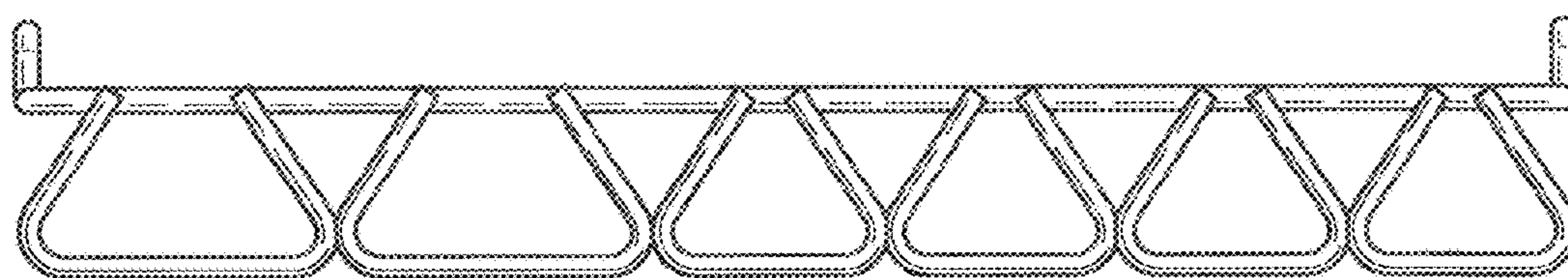


FIG. 7