



US00D818335S

(12) **United States Design Patent** (10) **Patent No.:** **US D818,335 S**
Walters (45) **Date of Patent:** **** May 22, 2018**

- (54) **HAND GUARD FOR POWER TOOLS**
- (71) Applicant: **Kimco Innovations, Inc.**, Longview, WA (US)
- (72) Inventor: **Jeffrey Walters**, Longview, WA (US)
- (73) Assignee: **Kimco Innovations, Inc.**, Longview, WA (US)
- (**) Term: **15 Years**
- (21) Appl. No.: **29/565,494**
- (22) Filed: **May 20, 2016**
- (51) **LOC (11) Cl.** **08-05**
- (52) **U.S. Cl.**
USPC **D8/70; D15/138**
- (58) **Field of Classification Search**
USPC D8/14.1, 61-70; D15/124, 125, 126, D15/132, 138, 139, 140
CPC . B23Q 11/00; B23Q 11/0046; B23Q 11/0053; B23Q 11/0071
See application file for complete search history.

- 5,772,367 A * 6/1998 Daniel B23Q 11/0046 173/75
- 5,797,354 A 8/1998 Marschall
- D439,819 S * 4/2001 Bass D8/70
- D473,120 S * 4/2003 Lind D8/70
- D499,625 S * 12/2004 Stirm D8/70
- D514,463 S * 2/2006 Levine D10/113.2
- D537,316 S * 2/2007 Skradski D8/70
- D542,312 S * 5/2007 Skradski D15/138
- D542,313 S * 5/2007 Skradski D15/138
- D543,563 S * 5/2007 Skradski D15/138
- D575,311 S * 8/2008 Konecny D15/138
- D579,369 S * 10/2008 Spataro D10/113.2
- D586,075 S * 2/2009 Wiley D34/38
- D588,893 S * 3/2009 Radich D8/70
- D647,669 S 10/2011 Martinez
- D677,292 S * 3/2013 Barnes D15/132
- D695,584 S * 12/2013 Chen D8/70
- D699,084 S * 2/2014 Miller D7/701

(Continued)

Primary Examiner — Darlington Ly
(74) *Attorney, Agent, or Firm* — Klarquist Sparkman, LLP

(57) **CLAIM**

I claim the ornamental design for a hand guard for power tools, as shown and described.

DESCRIPTION

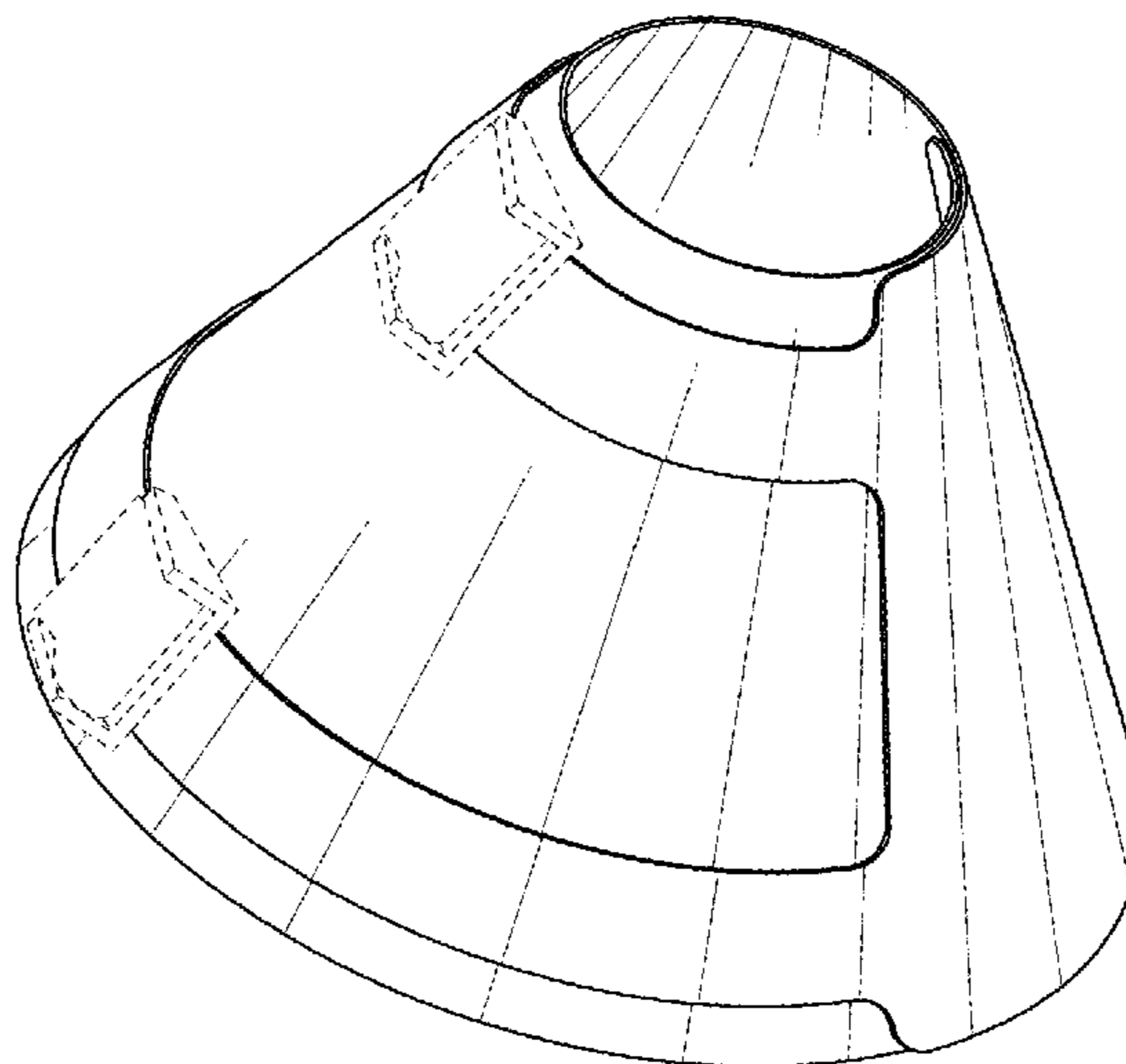
FIG. 1 is a perspective view of a hand guard for power tools in an assembled configuration;
FIG. 2 is a front elevation view thereof;
FIG. 3 is a rear elevation view thereof;
FIG. 4 is a right side elevation view thereof;
FIG. 5 is a left side elevation view thereof;
FIG. 6 is a top plan view thereof; and,
FIG. 7 is a bottom plan view thereof.
The broken lines in the drawings illustrate portions of the hand guard for power tools that do not form part of the claimed design.

1 Claim, 4 Drawing Sheets

(56) **References Cited**

U.S. PATENT DOCUMENTS

- 3,692,321 A * 9/1972 Shattuck B23B 31/1223 279/4.04
- 3,934,661 A * 1/1976 Sauerwein E21B 21/015 175/211
- 3,936,213 A * 2/1976 Kappel B23Q 11/0053 175/211
- 4,200,057 A 4/1980 Agar
- 4,921,375 A * 5/1990 Famulari B23Q 11/0046 144/252.1
- 5,160,230 A * 11/1992 Cuevas B23Q 11/0053 408/67
- 5,197,414 A 3/1993 Kanakura
- D344,879 S * 3/1994 Chan D8/62
- 5,653,561 A * 8/1997 May B23Q 11/0046 408/67



(56)

References Cited

U.S. PATENT DOCUMENTS

8,720,386	B2	5/2014	Markfield	
D735,548	S	8/2015	Bermudez	D8/70
2009/0090307	A1	4/2009	Heister	
2009/0241855	A1	10/2009	Stocki et al.	
2011/0162589	A1	7/2011	Singer et al.	

* cited by examiner

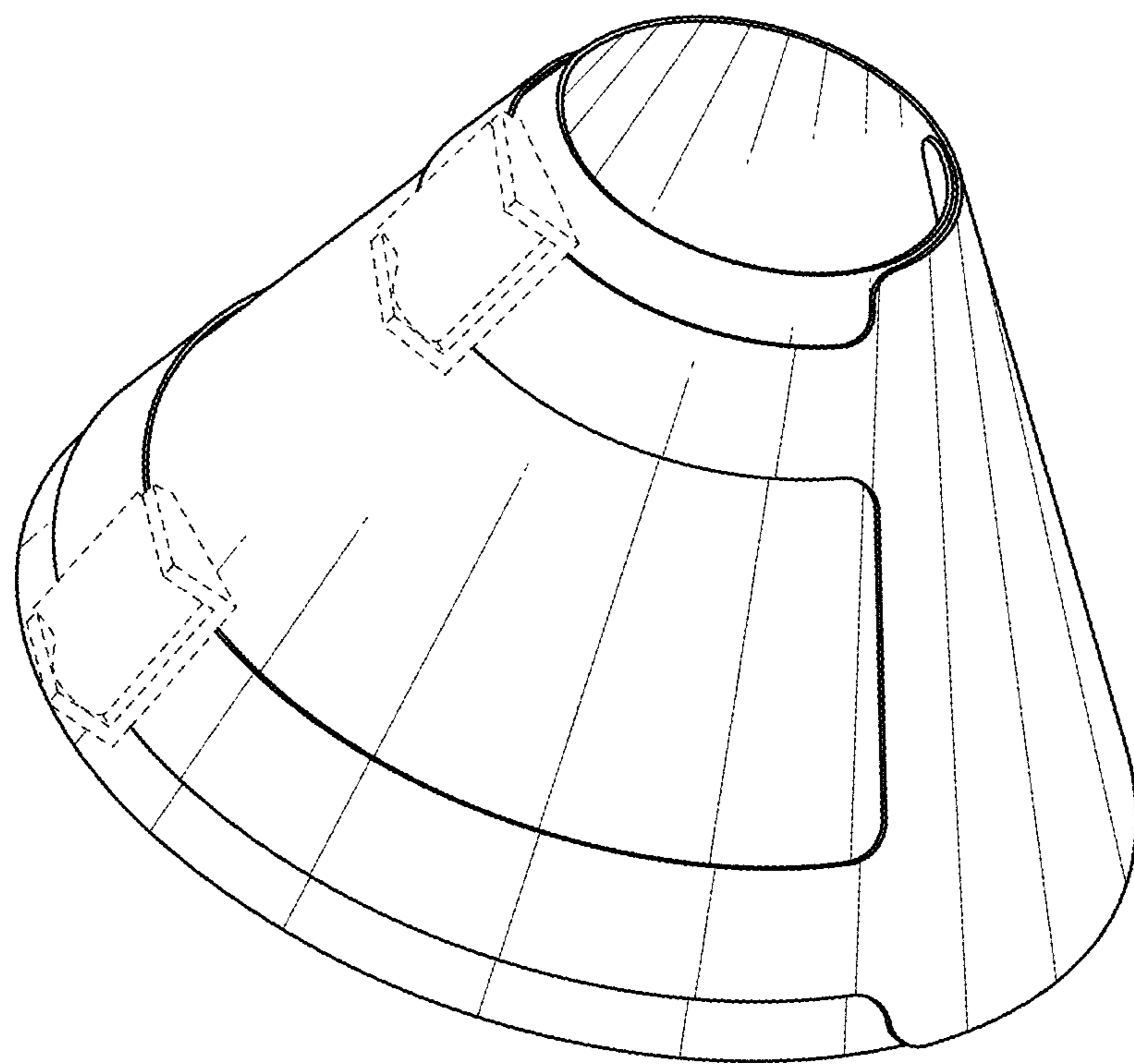


FIG. 1

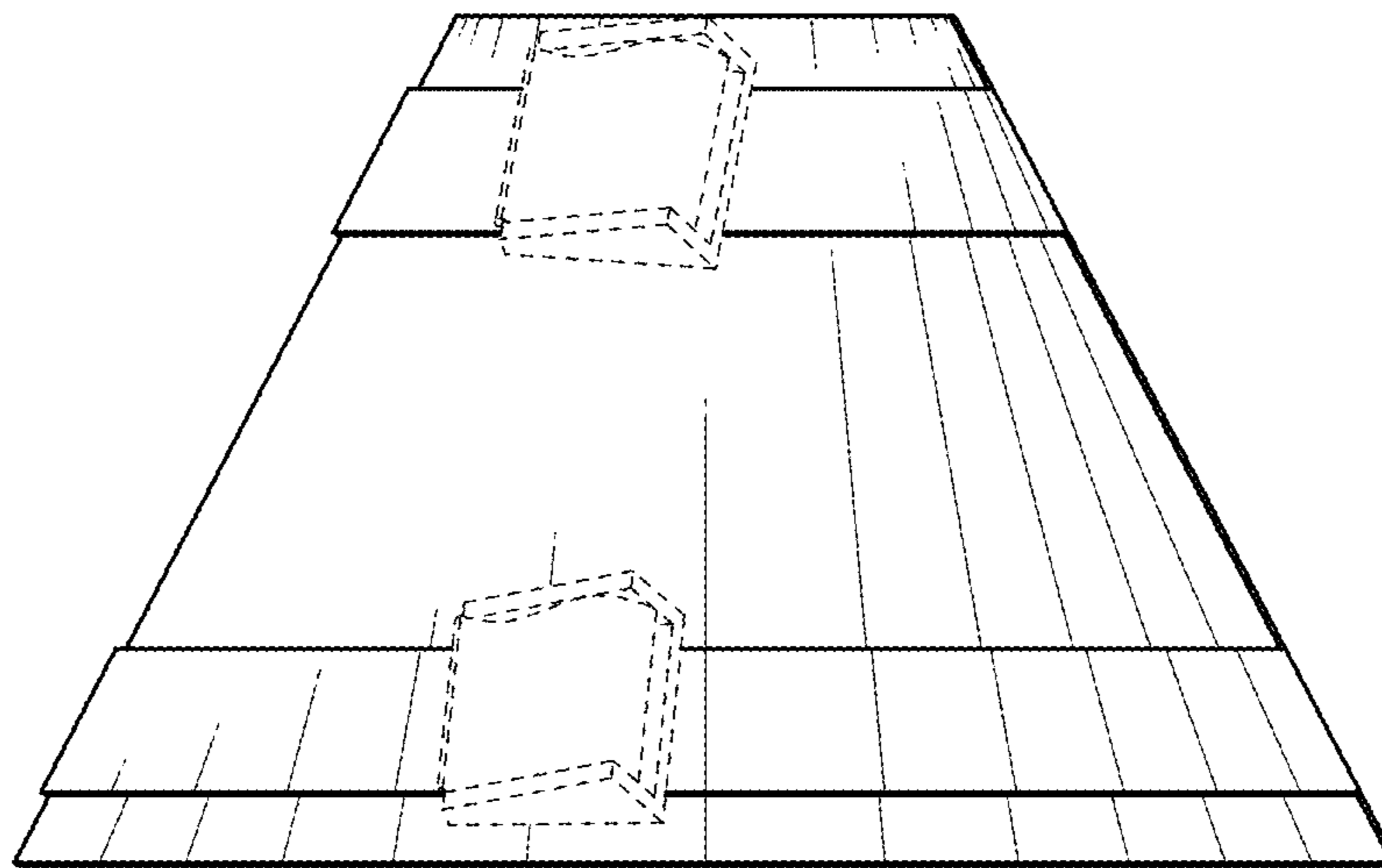


FIG. 2

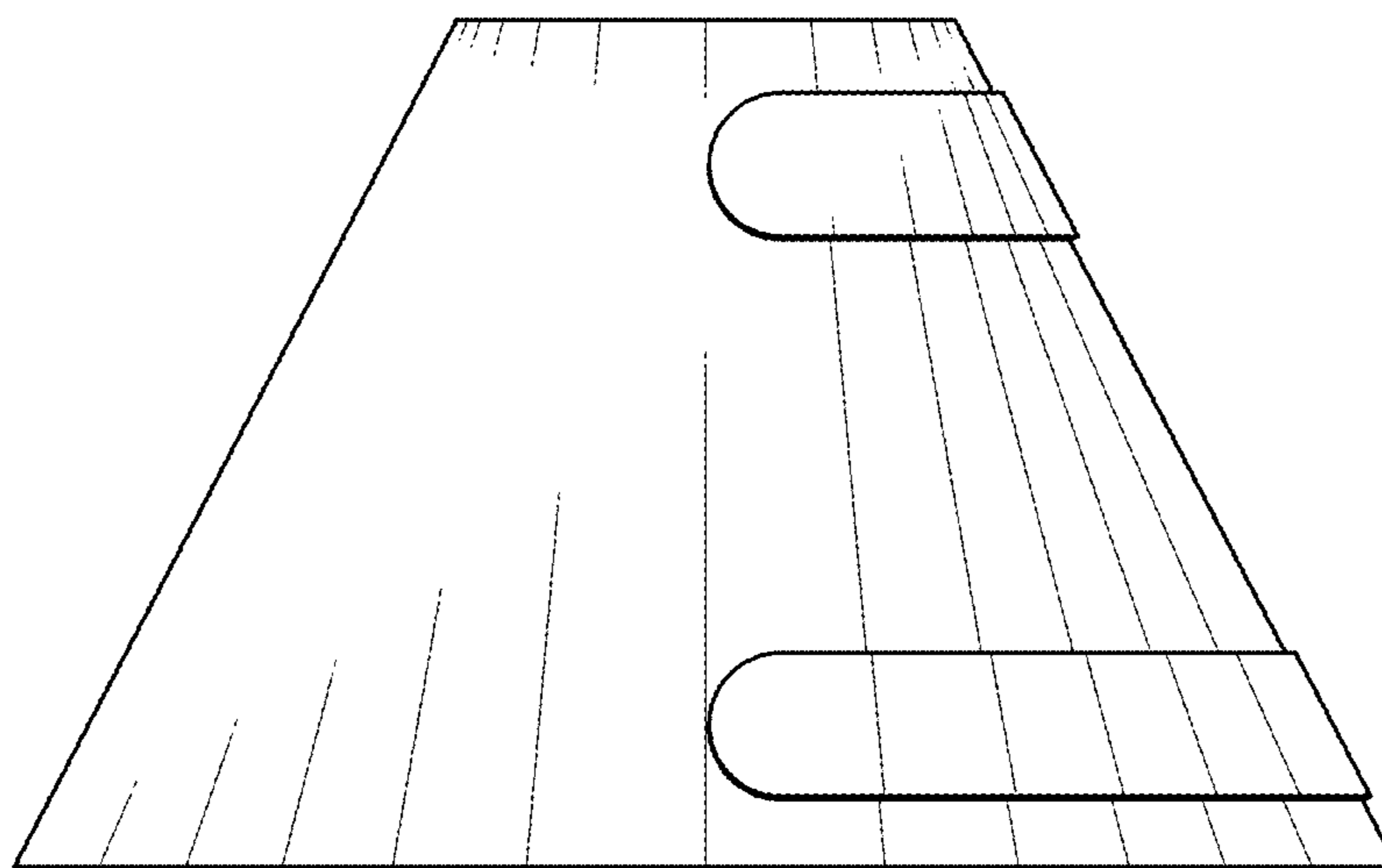


FIG. 3

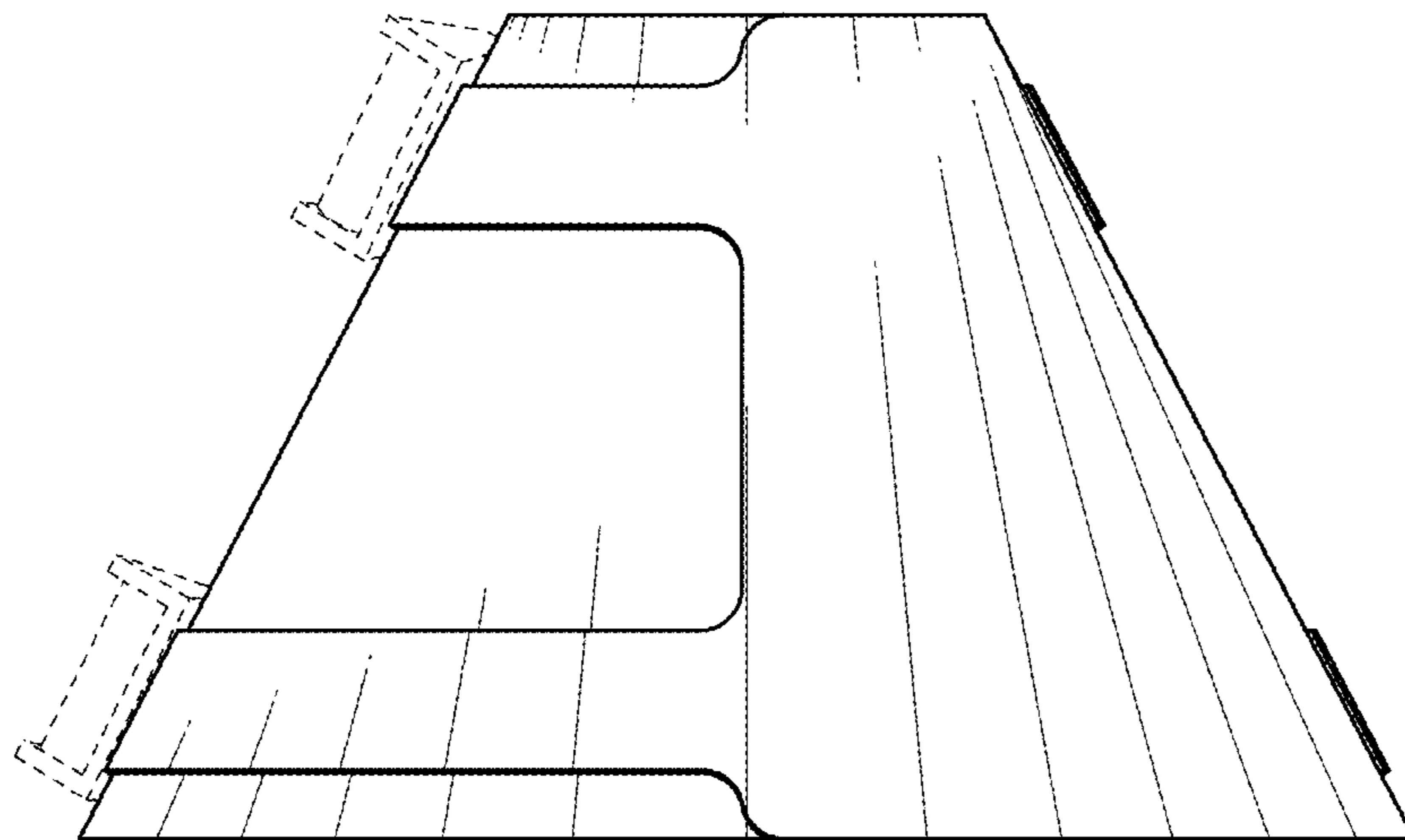


FIG. 4

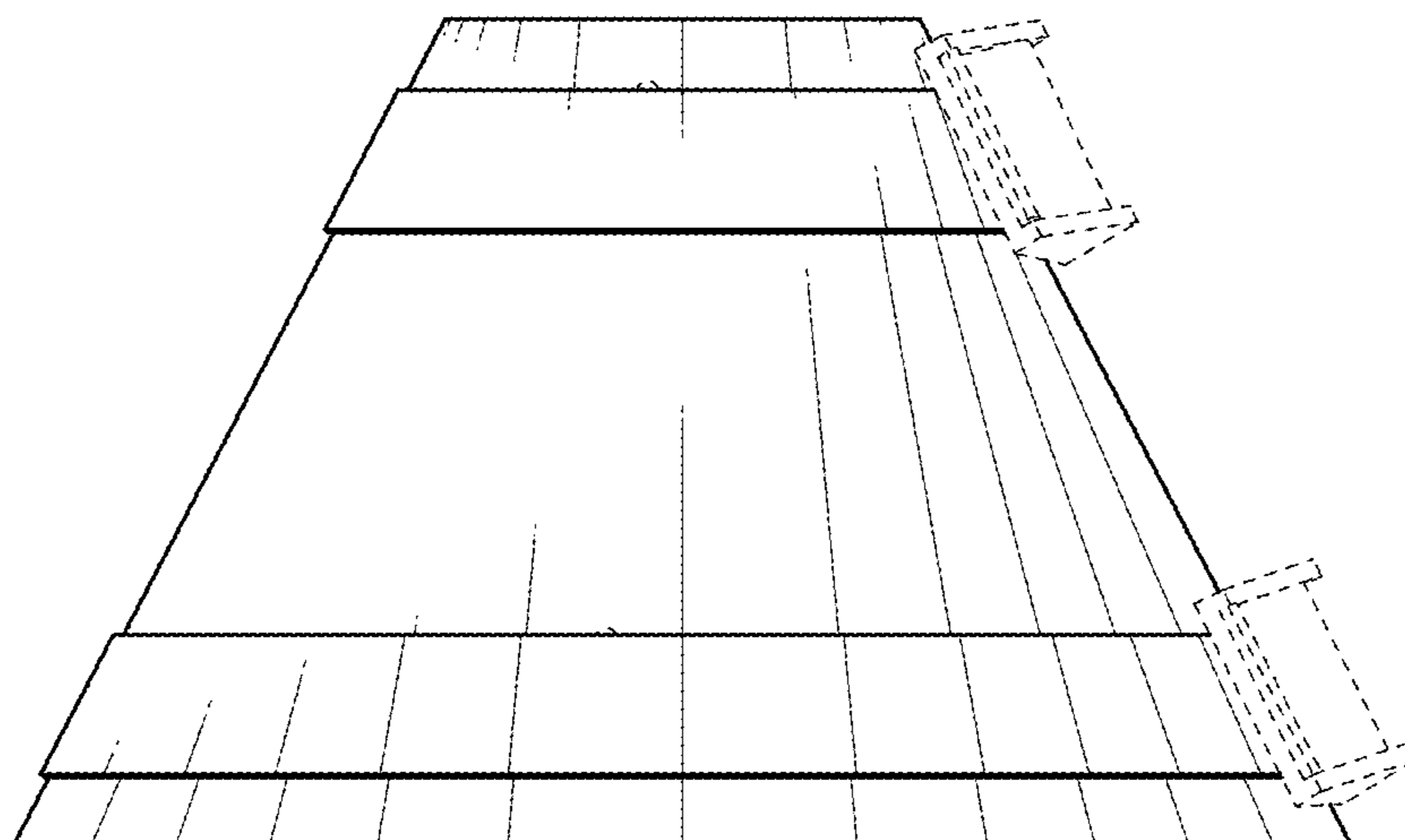


FIG. 5

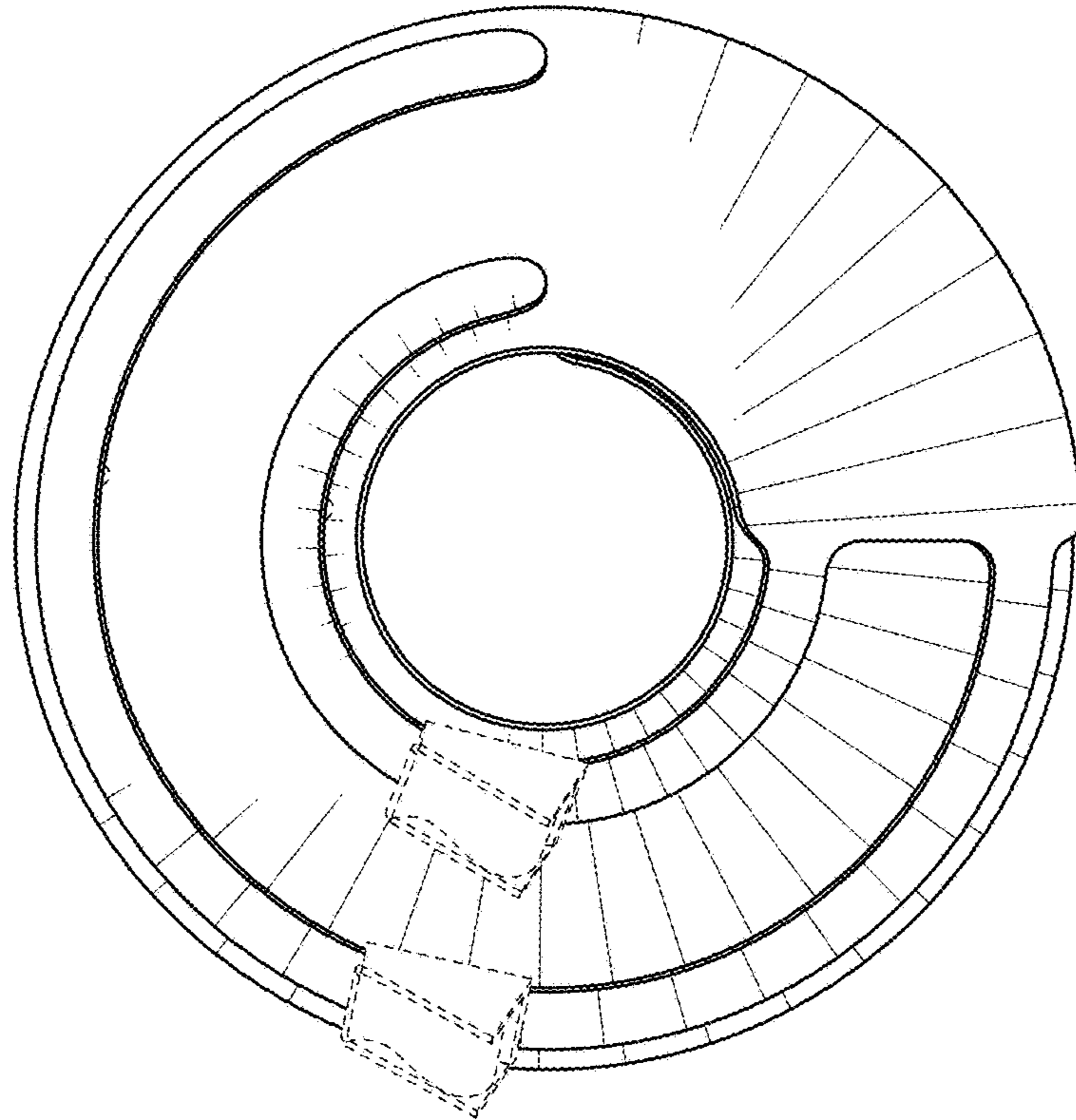


FIG. 6

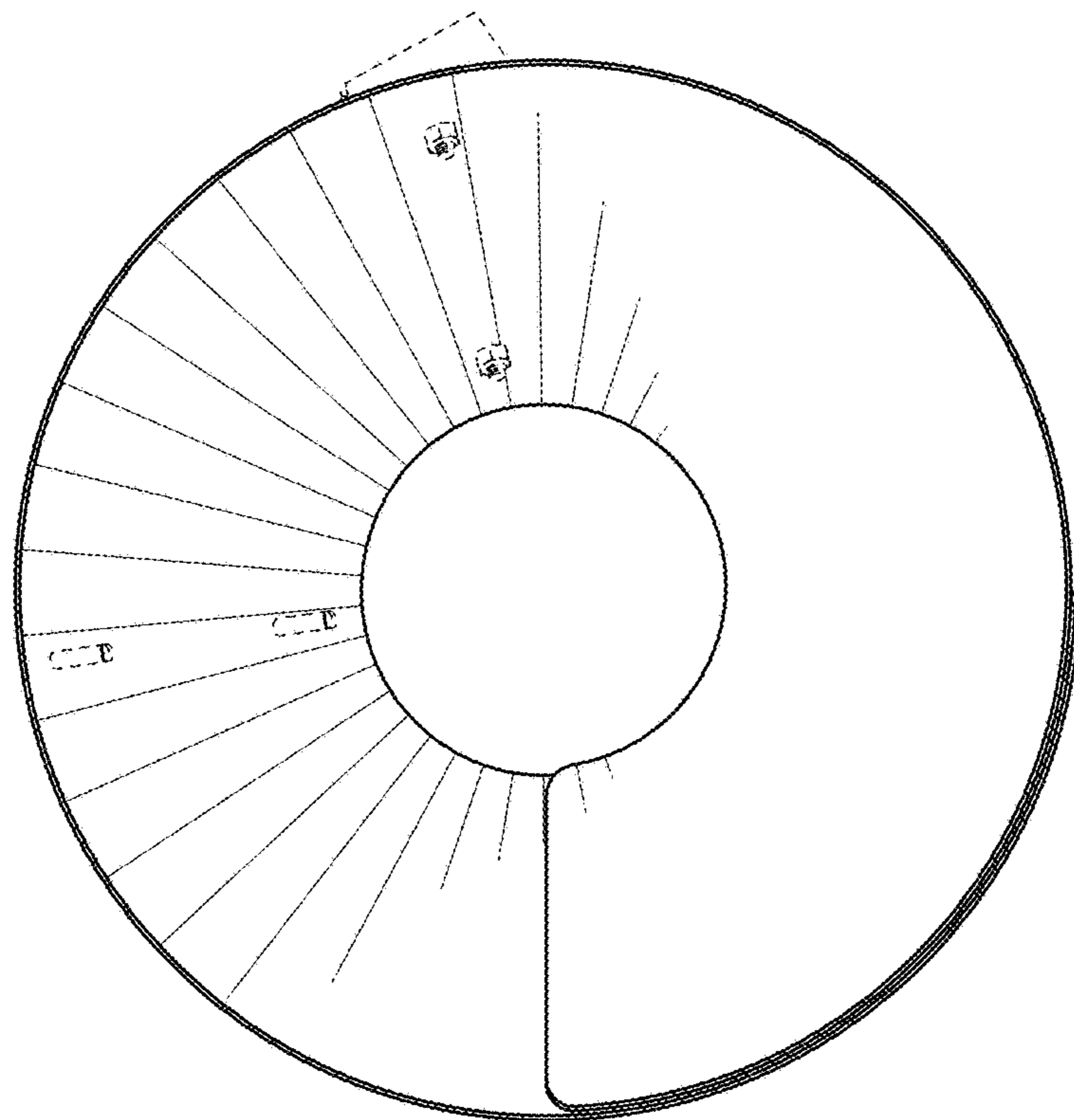


FIG. 7