



US00D818332S

(12) **United States Design Patent**  
**Waldron**

(10) **Patent No.:** **US D818,332 S**

(45) **Date of Patent:** **\*\* May 22, 2018**

(54) **POWER CIRCULAR SAW TOOL**  
(71) Applicant: **7RDD Limited**, Dunnington, York (GB)  
(72) Inventor: **Michael Waldron**, Dunnington (GB)  
(73) Assignee: **7RDD Limited**, Dunnington, York (GB)  
(\*\*) Term: **15 Years**

6,470,576 B2 \* 10/2002 Watson ..... B23D 45/16  
30/377  
D504,297 S \* 4/2005 Tillman ..... D8/66  
D521,680 S \* 5/2006 Chen ..... D27/148  
D559,644 S \* 1/2008 Kuroyanagi ..... D8/66  
D567,612 S \* 4/2008 Wright ..... D8/66  
D642,886 S \* 8/2011 Sciamma ..... D8/66  
D754,509 S \* 4/2016 Lee ..... D8/66

\* cited by examiner

(21) Appl. No.: **29/596,143**  
(22) Filed: **Mar. 6, 2017**  
(51) **LOC (11) Cl.** ..... **08-03**  
(52) **U.S. Cl.**  
USPC ..... **D8/66**  
(58) **Field of Classification Search**  
USPC .... D8/69, 68, 67, 66, 64, 61, 70; 83/698.41,  
83/747, 166.3, 374, 373, 375, 376, 391,  
83/377, 390, 388, 389; 125/13.01;  
144/218  
CPC .... B27B 9/00; B27B 9/02; B27B 5/02; B27B  
5/18; B27B 33/08; B28D 1/04; B28D  
1/045; B23D 45/00  
See application file for complete search history.

*Primary Examiner* — Austin Murphy  
(74) *Attorney, Agent, or Firm* — McKee, Voorhees &  
Sease, PLC

(57) **CLAIM**

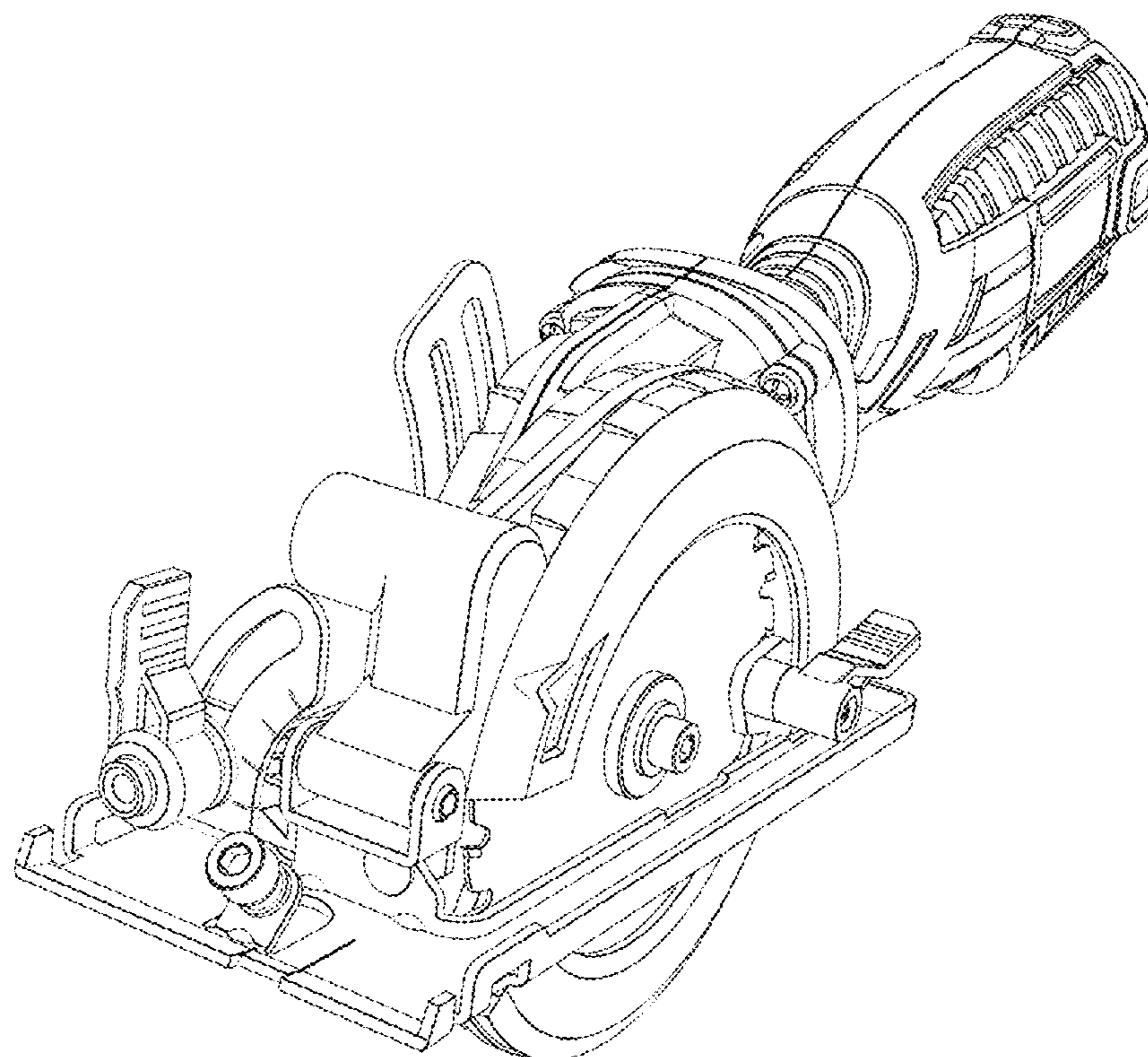
I claim the ornamental design for a power circular saw tool,  
substantially as shown and described.

**DESCRIPTION**

FIG. 1 is a perspective view of the power circular saw tool  
of the present invention.  
FIG. 2 is a left side elevation view of the power circular saw  
tool.  
FIG. 3 is a right side elevation view of the power circular  
saw tool.  
FIG. 4 is a front elevation view of the power circular saw  
tool.  
FIG. 5 is a rear elevation view of the power circular saw tool.  
FIG. 6 is a top plan view of the power circular saw tool; and,  
FIG. 7 is a bottom plan view of the power circular saw tool.

(56) **References Cited**  
U.S. PATENT DOCUMENTS  
5,850,697 A \* 12/1998 Welch ..... B27G 19/04  
30/391  
D418,032 S \* 12/1999 Watson ..... D8/66

**1 Claim, 7 Drawing Sheets**



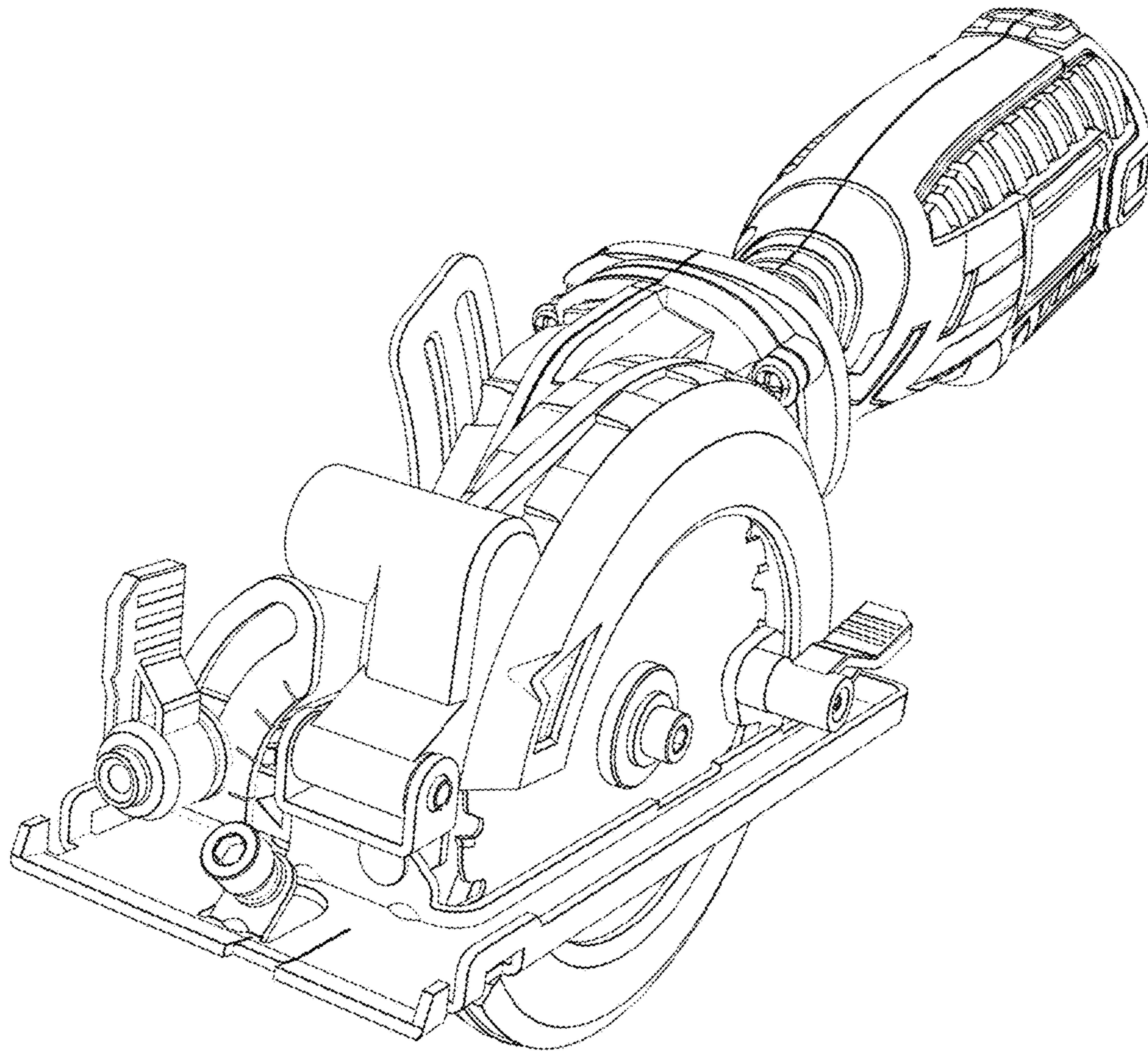


FIG. 1

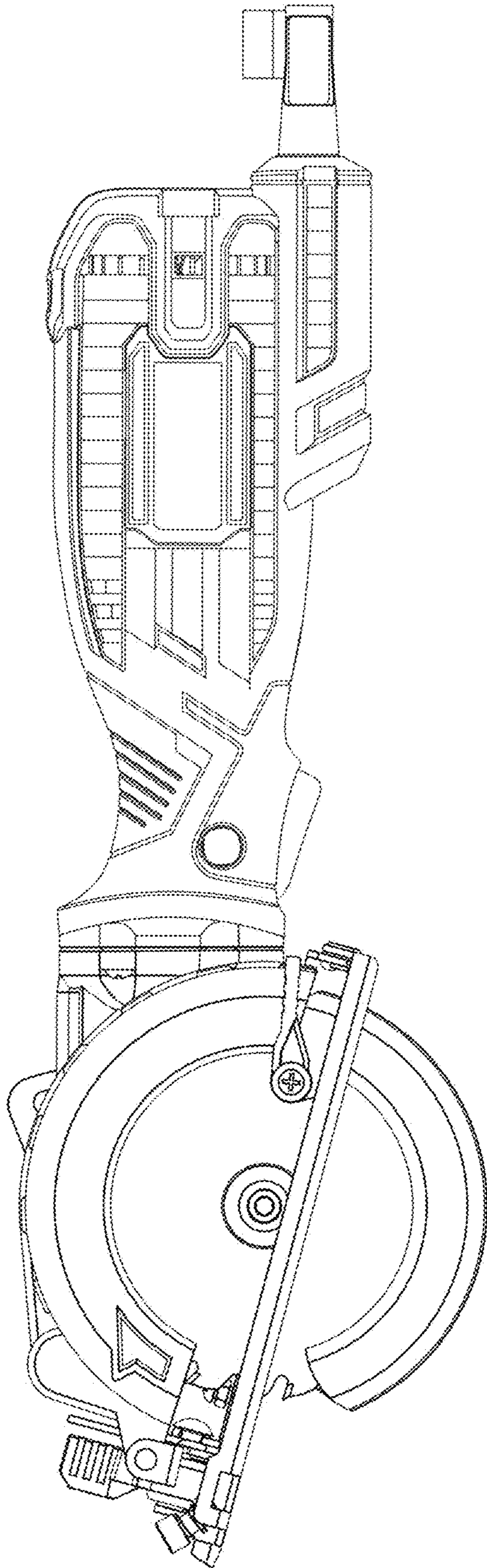


FIG. 2

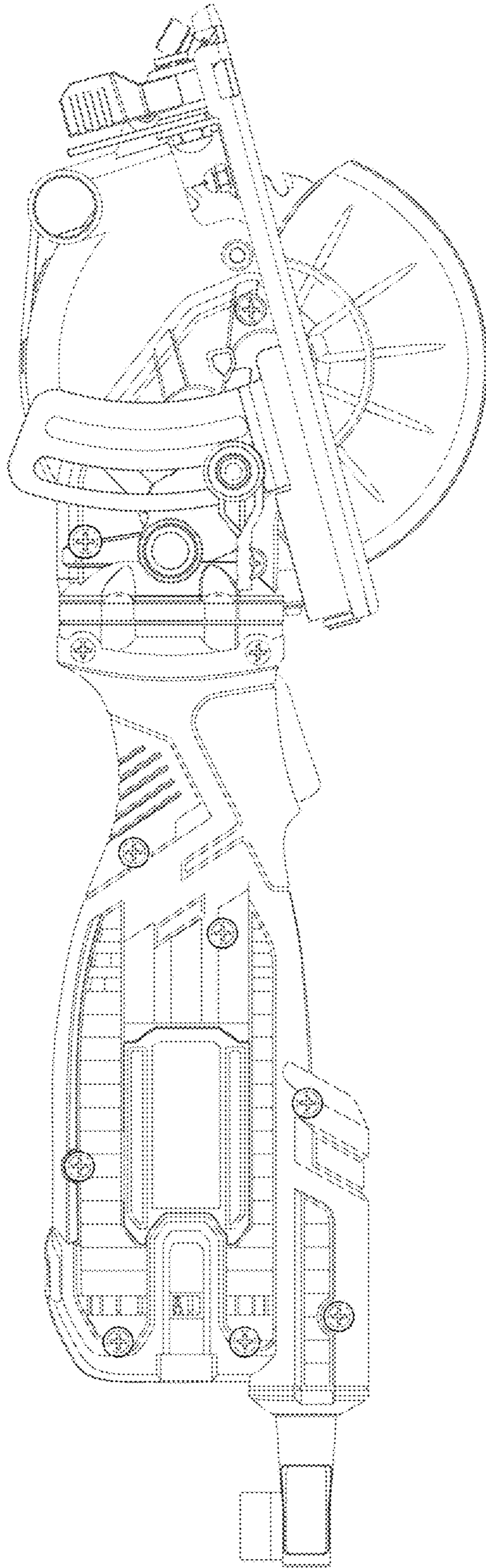


FIG. 3

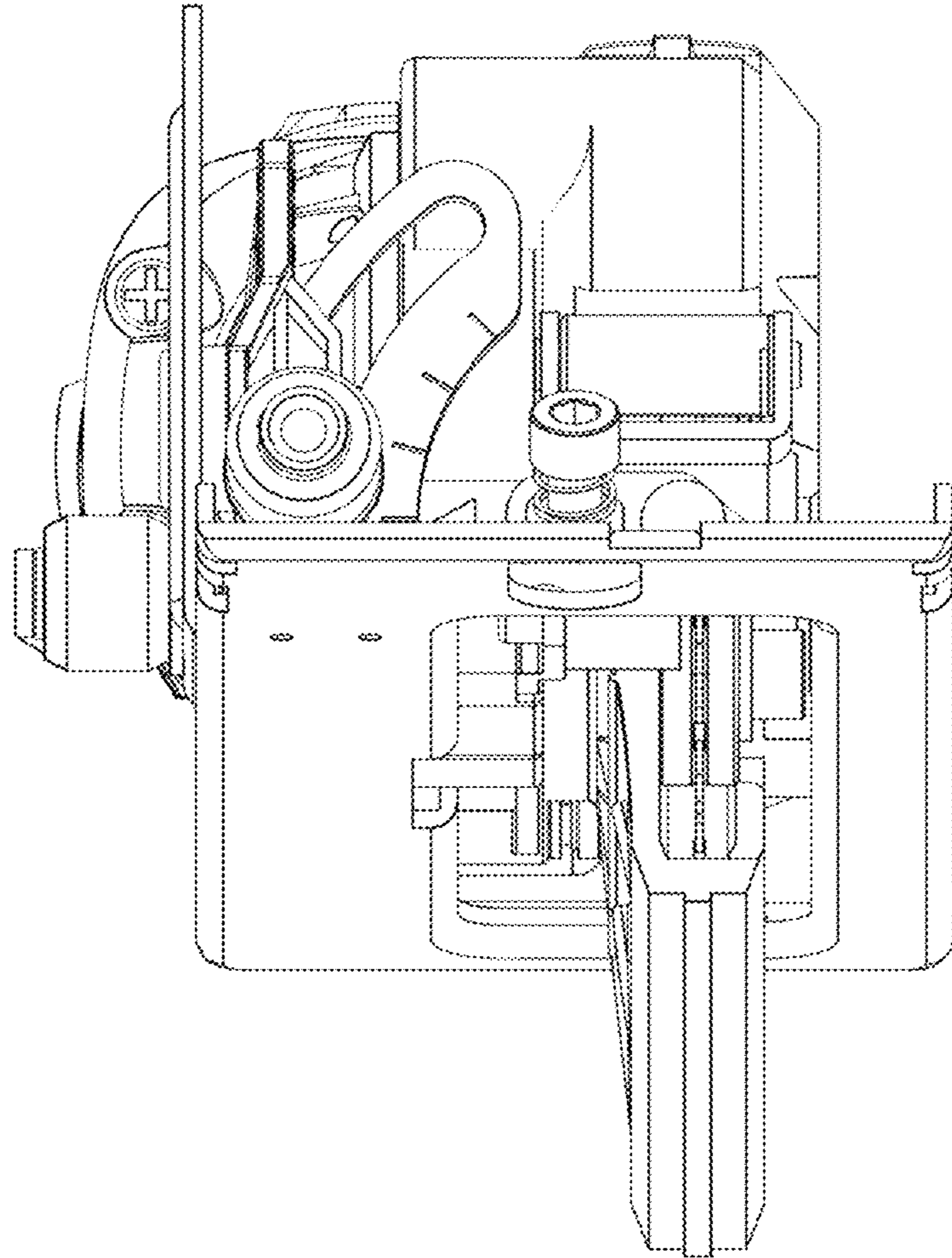
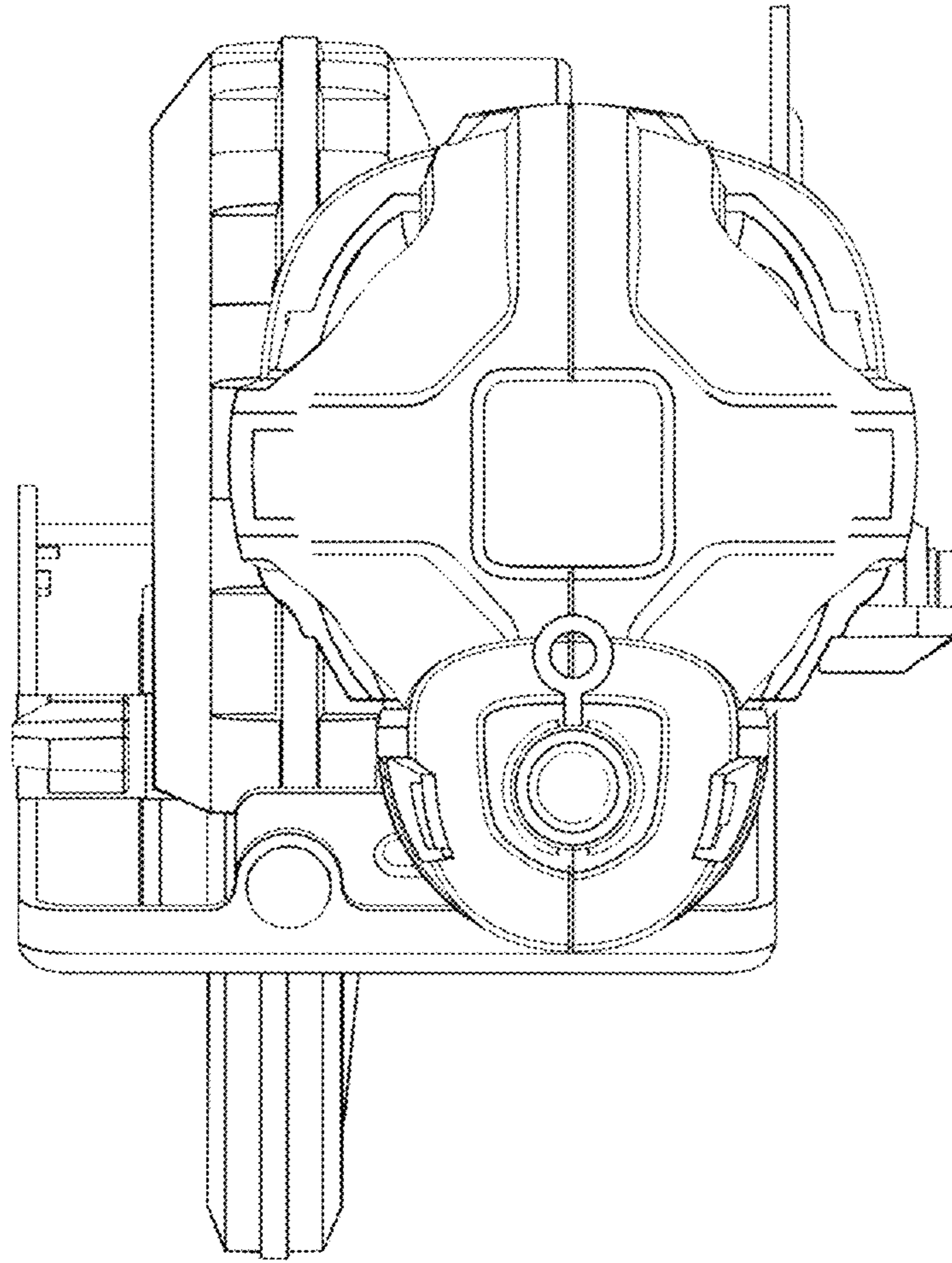


FIG. 4



**FIG. 5**

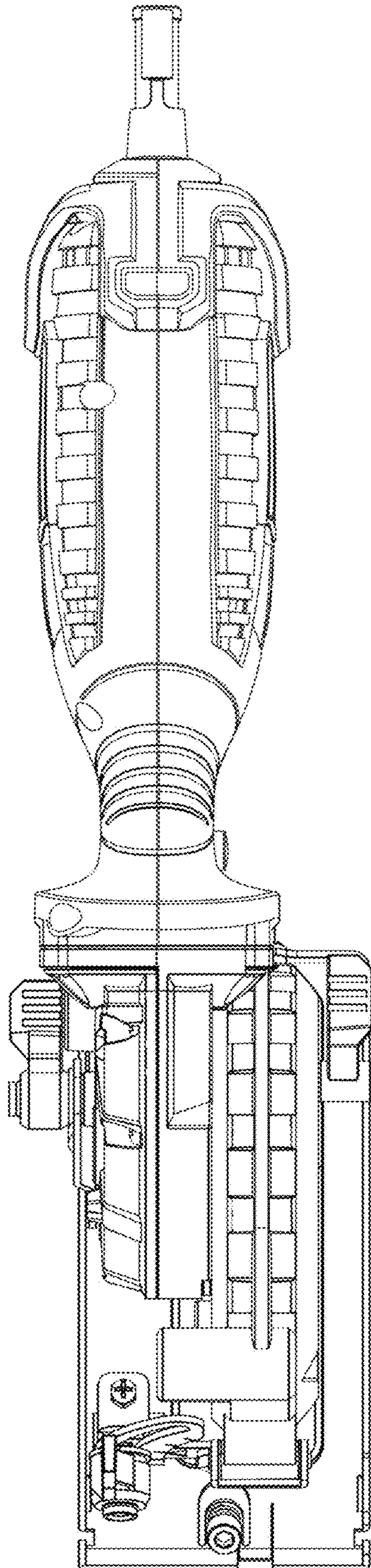


FIG. 6

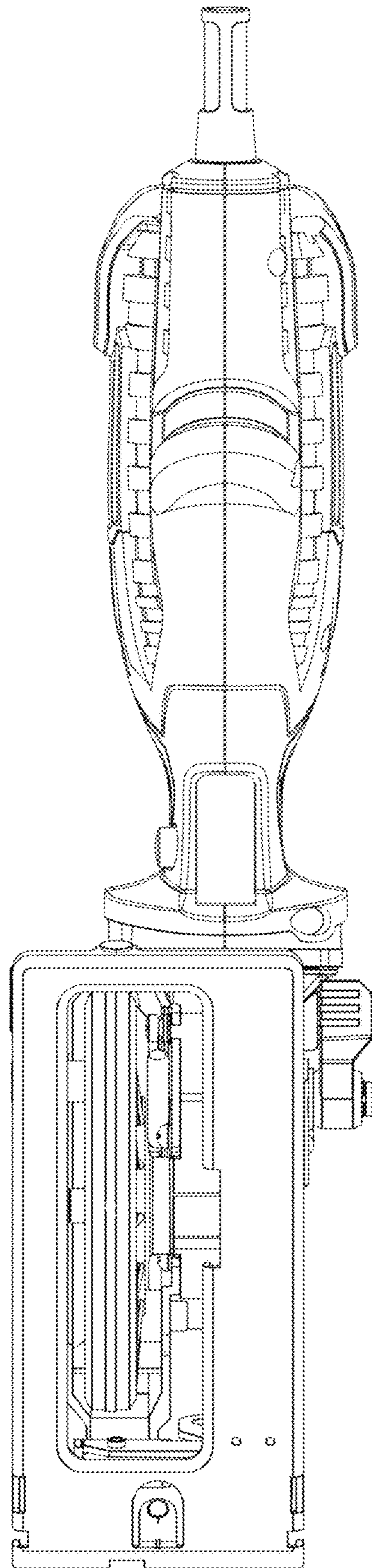


FIG. 7