



US00D818331S

(12) **United States Design Patent**
Croghan

(10) **Patent No.:** **US D818,331 S**

(45) **Date of Patent:** **** May 22, 2018**

(54) **JIGSAW**

(71) Applicant: **7RDD Limited**, North Yorkshire (GB)

(72) Inventor: **Eamon Croghan**, Yorkshire (GB)

(73) Assignee: **7RDD Limited**, Dunnington, York (GB)

(**) Term: **15 Years**

(21) Appl. No.: **29/598,121**

(22) Filed: **Mar. 23, 2017**

(51) **LOC (11) Cl.** **08-03**

(52) **U.S. Cl.**
USPC **D8/64**

(58) **Field of Classification Search**
USPC D8/69, 68, 67, 66, 64, 61; 83/747,
83/699.21; 310/50; 30/394, 393, 392,
30/391, 390, 377, 376; 173/216, 217
CPC B27B 19/09; B23D 49/162; B23D 49/165;
B23D 49/167; B25F 5/02
See application file for complete search history.

(56) **References Cited**

U.S. PATENT DOCUMENTS

D531,869 S *	11/2006	Netzler	D8/64
D538,616 S *	3/2007	Netzler	D8/64
D573,858 S *	7/2008	Van Wambeke	D8/64
D574,687 S *	8/2008	Van Wambeke	D8/64

D581,234 S *	11/2008	Van Wambeke	D8/64
D581,760 S *	12/2008	Van Wambeke	D8/64
D584,589 S *	1/2009	Van Wambeke	D8/64
D592,925 S *	5/2009	Van Wambeke	D8/64
D634,171 S *	3/2011	Hayakawa	D8/64
D639,630 S *	6/2011	Kawase	D8/64
8,024,865 B2 *	9/2011	Kaiser	B23D 51/10 279/78
D649,422 S *	11/2011	Hayakawa	D8/64
D664,412 S *	7/2012	Aglassinger	D8/64
D752,405 S *	3/2016	Ishikawa	D8/64
D792,182 S *	7/2017	Ishikawa	D8/64
9,855,614 B2 *	1/2018	Kani	B23D 51/02

* cited by examiner

Primary Examiner — Austin Murphy

(74) *Attorney, Agent, or Firm* — Woodard, Emhardt,
Moriarty, McNett & Henry, LLP

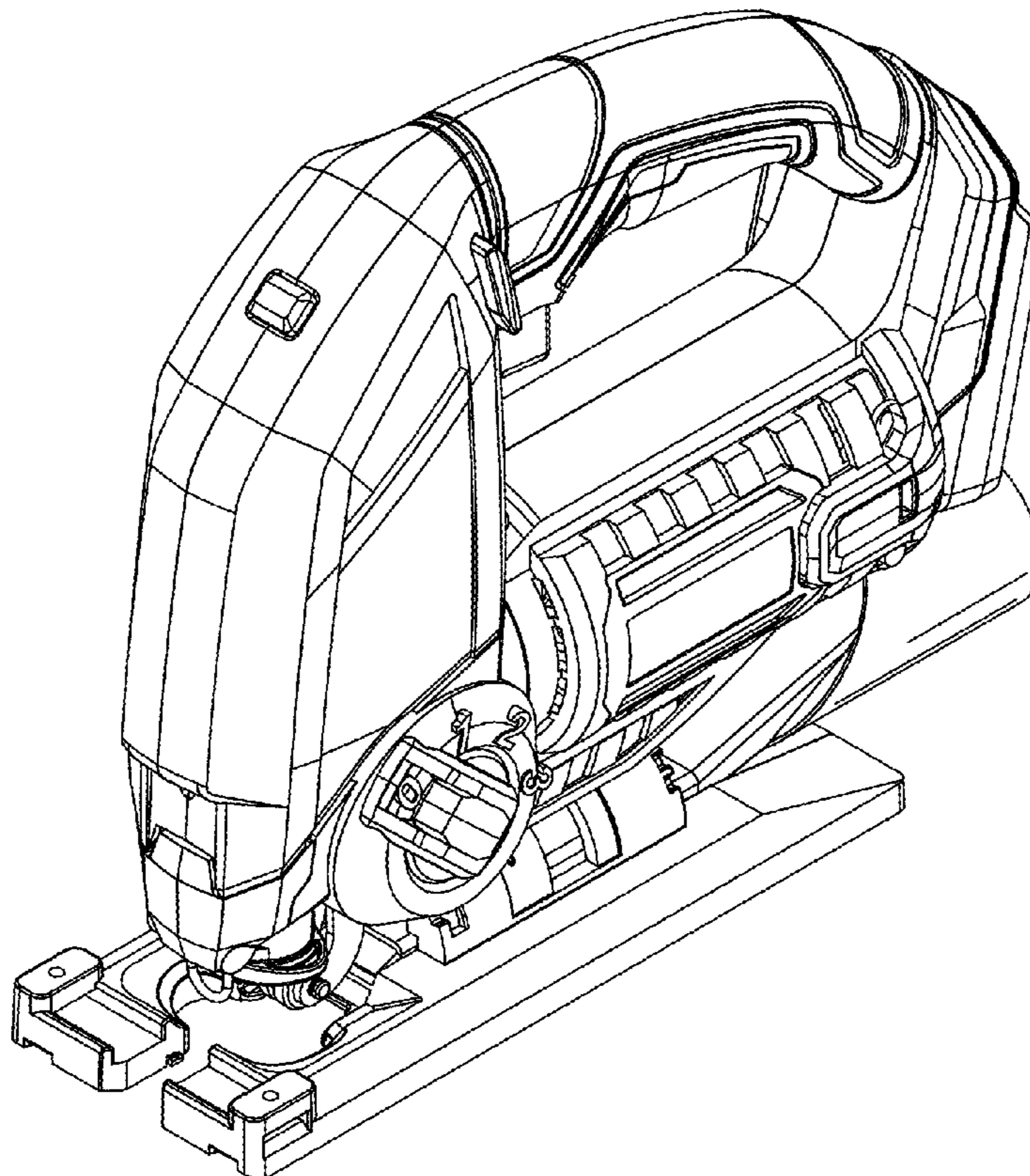
(57) **CLAIM**

The ornamental design for a jigsaw, as shown and described.

DESCRIPTION

FIG. 1 is a top perspective view of the jigsaw according to my new design;
FIG. 2 is a right side view thereof;
FIG. 3 is a left side view thereof;
FIG. 4 is a rear view thereof;
FIG. 5 is a front view thereof;
FIG. 6 is a top view thereof; and,
FIG. 7 is a bottom view thereof.

1 Claim, 5 Drawing Sheets



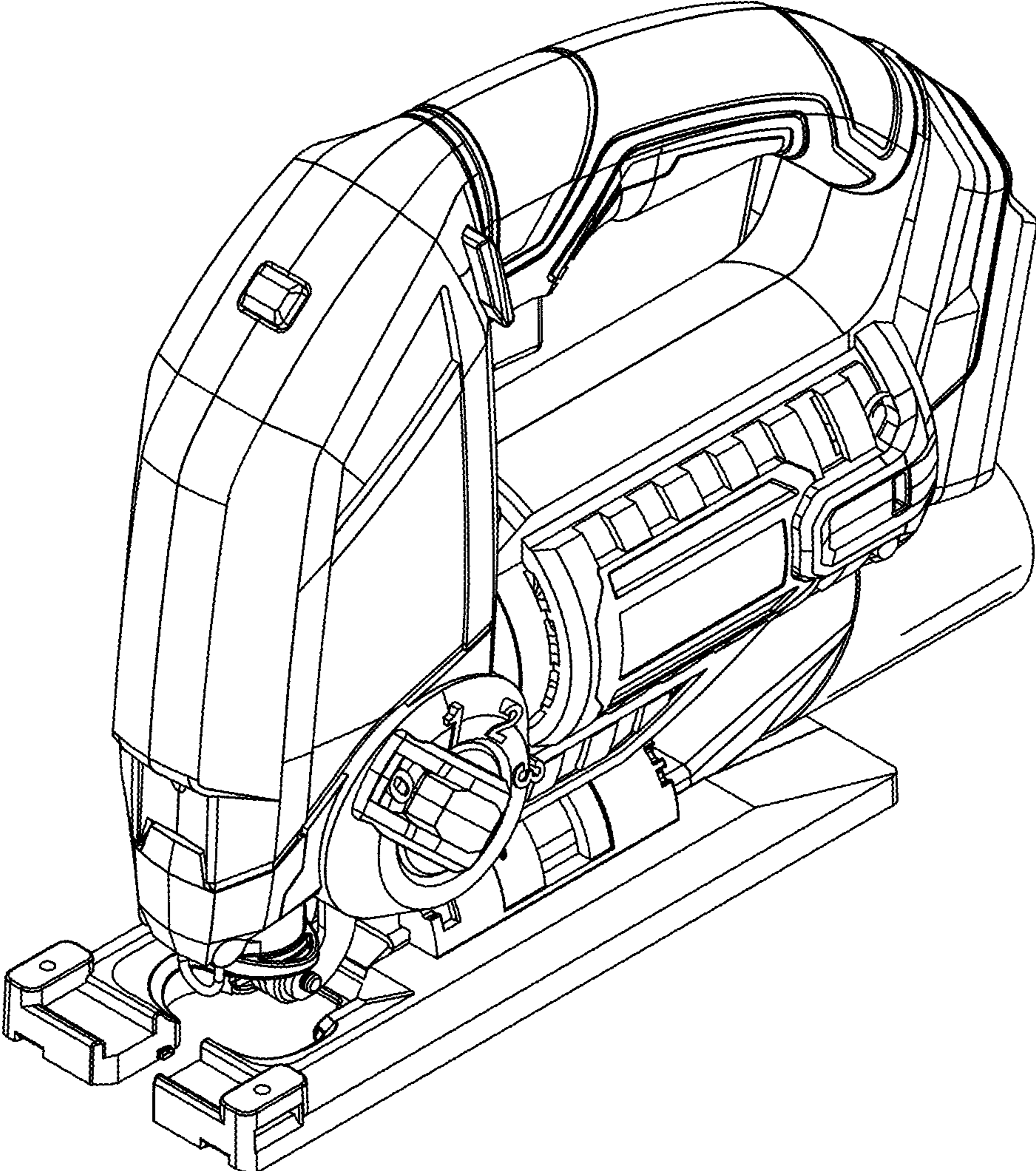


Fig. 1

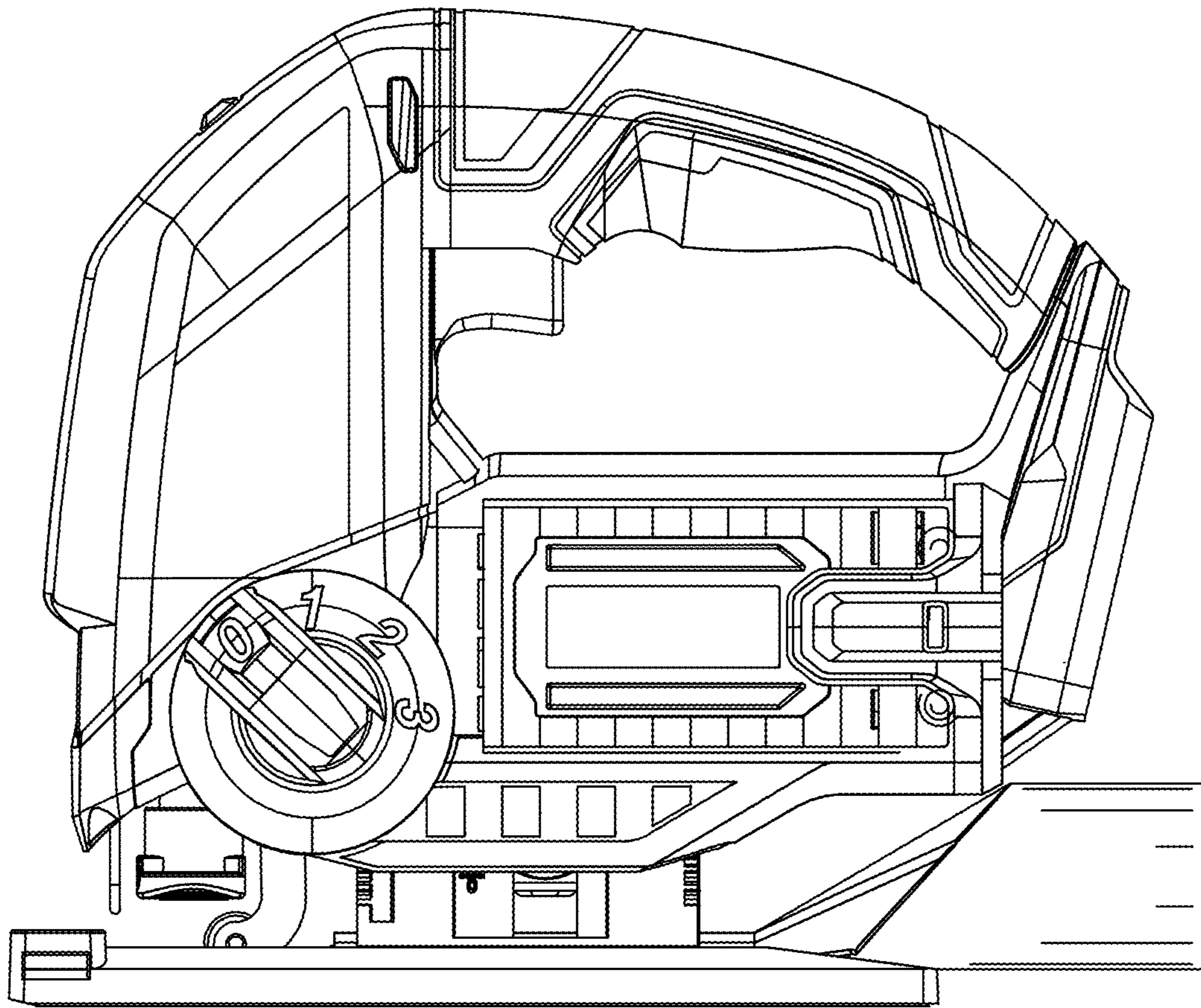


Fig. 2

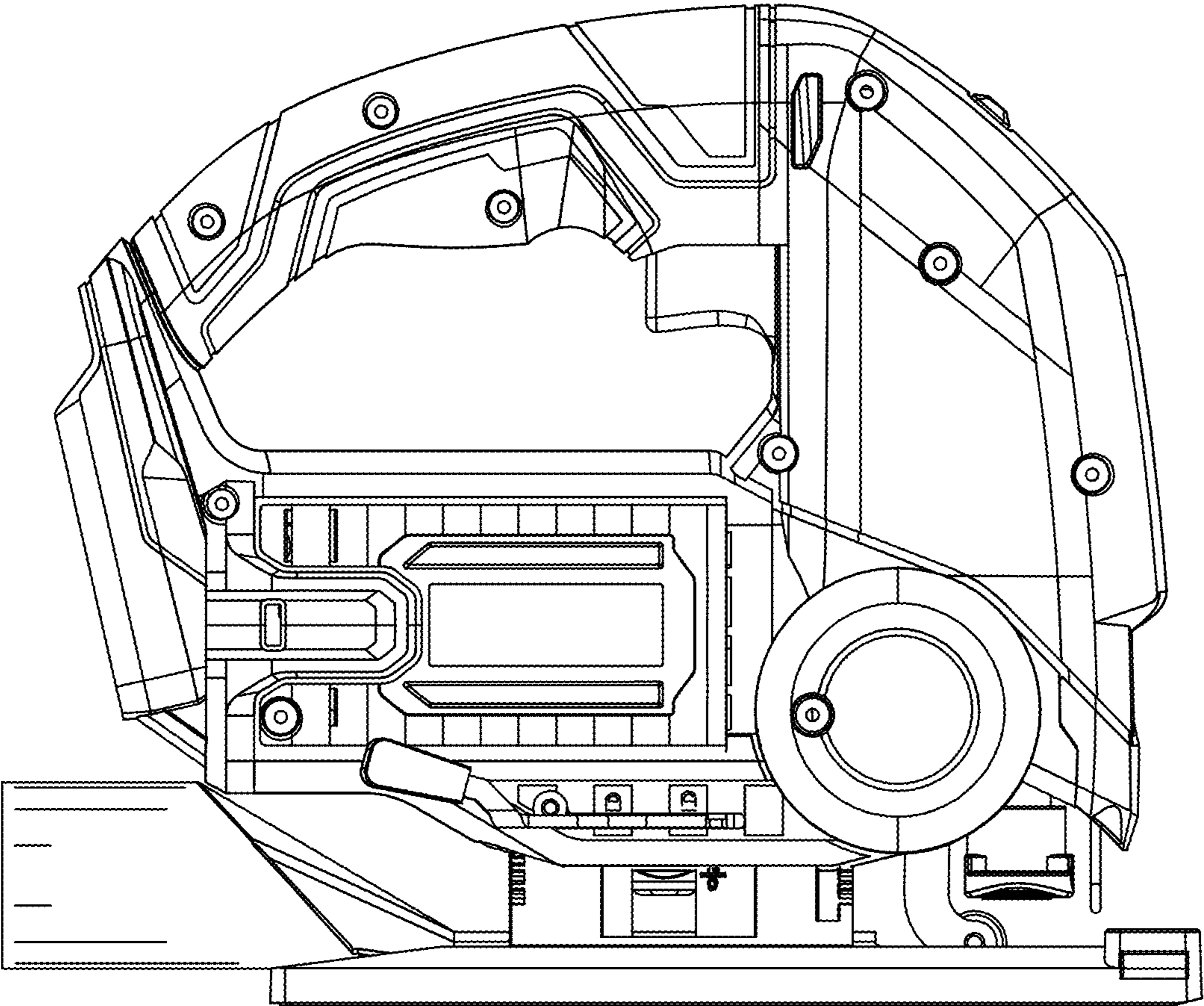


Fig. 3

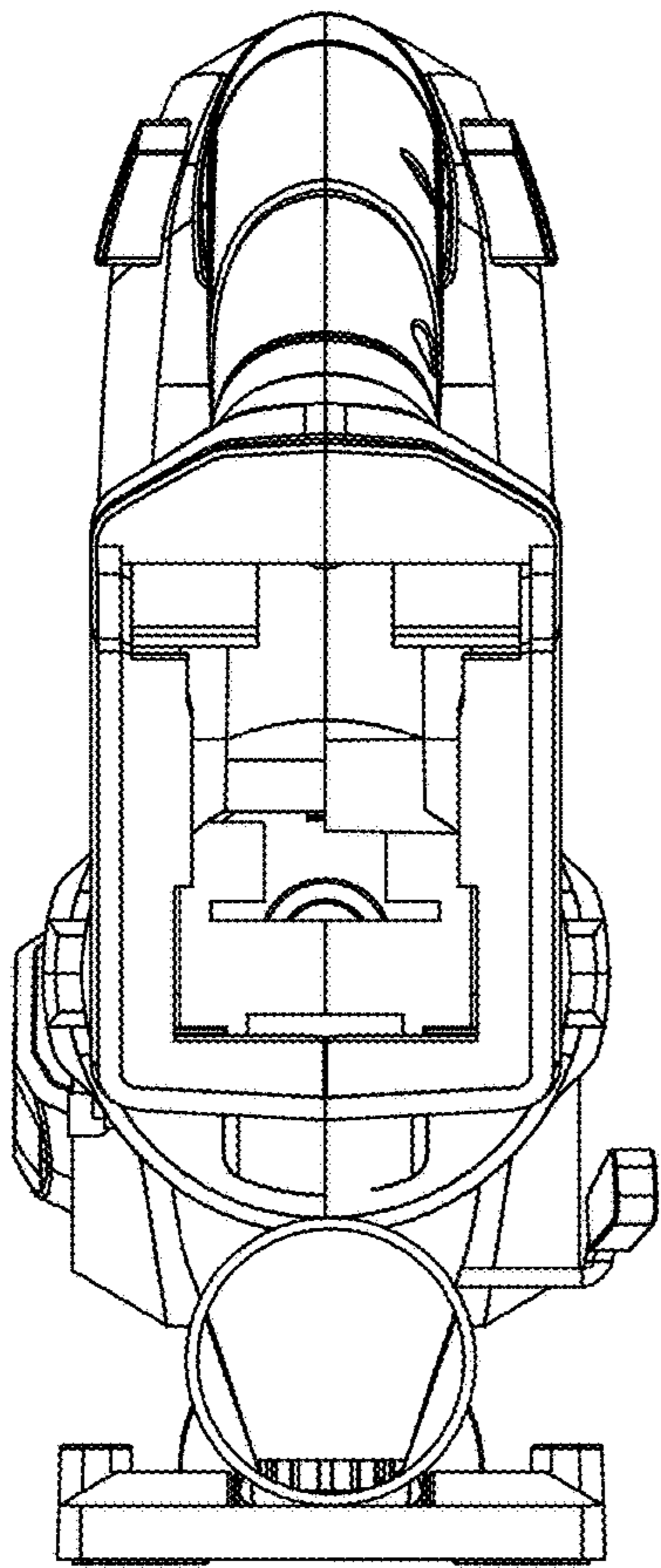


Fig. 4

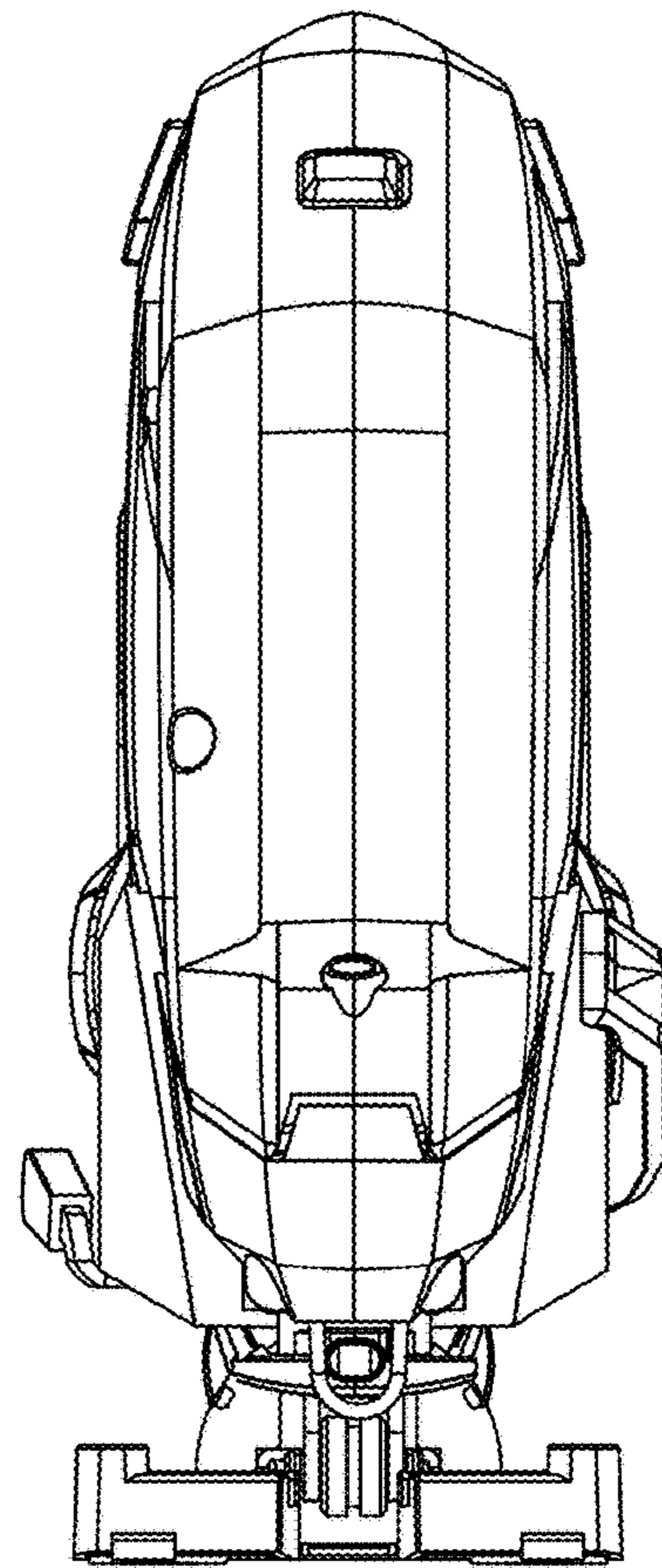


Fig. 5

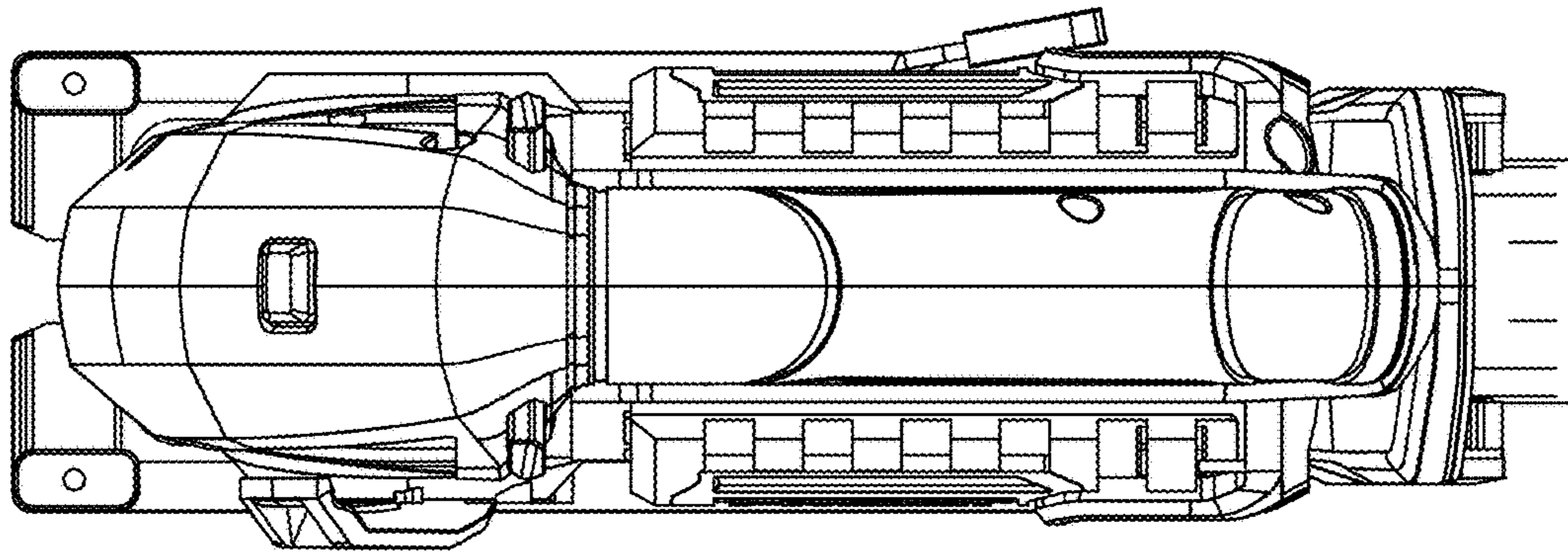


Fig. 6

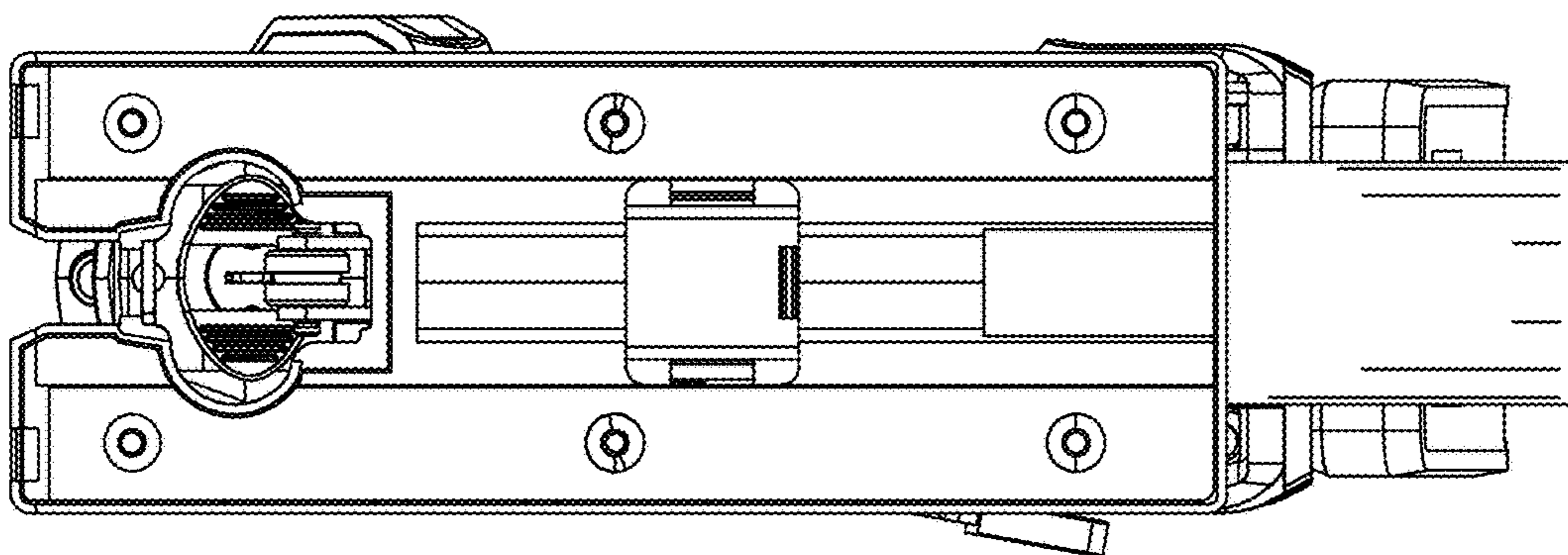


Fig. 7