



US00D818330S

(12) **United States Design Patent** (10) **Patent No.:** **US D818,330 S**  
**Barrette et al.** (45) **Date of Patent:** **\*\* May 22, 2018**

(54) **HANDLE FOR RATCHET ASSEMBLY**  
(71) Applicant: **HAMPTON PRODUCTS INTERNATIONAL CORPORATION**, Foothill Ranch, CA (US)  
(72) Inventors: **Jeffrey N. Barrette**, Brooklyn, CT (US); **William F. Felt**, East Bethel, MN (US)  
(73) Assignee: **Hampton Products International Corporation**, Foothill Ranch, CA (US)  
(\*\*) Term: **15 Years**  
(21) Appl. No.: **29/570,002**  
(22) Filed: **Jul. 1, 2016**  
(51) **LOC (11) Cl.** ..... **08-05**  
(52) **U.S. Cl.**  
USPC ..... **D8/44**  
(58) **Field of Classification Search**  
USPC ..... D8/14, 44, 107, 303, 313; 24/68 CD, 24/68 SB, 68 E, 69 ST; 254/217-220, 254/223, 225, 239  
CPC ..... A44B 11/125; B25B 25/00; B25G 1/005; B25G 1/04; B60P 7/0823; B60P 7/083; B60P 7/0853; B60R 3/02; B65B 13/025; B65B 13/24; F16G 11/12  
See application file for complete search history.

D457,049 S \* 5/2002 Zoerner ..... D8/308  
D523,318 S \* 6/2006 Hanna ..... D8/300  
D524,883 S \* 7/2006 Clark ..... D21/694  
D536,255 S \* 2/2007 Corbett ..... D9/538  
7,219,395 B2 \* 5/2007 Bigolin ..... B62K 21/26  
16/421  
D546,659 S \* 7/2007 Smith ..... D8/313  
D575,959 S \* 9/2008 Borovicka ..... D4/129  
D579,741 S \* 11/2008 Selby ..... D8/107  
D633,095 S \* 2/2011 Cullen ..... D14/453  
D639,626 S \* 6/2011 Gangakhedkar ..... D8/44  
(Continued)

*Primary Examiner* — Phillip S Hyder  
(74) *Attorney, Agent, or Firm* — Klein, O'Neil & Singh, LLP

(57) **CLAIM**

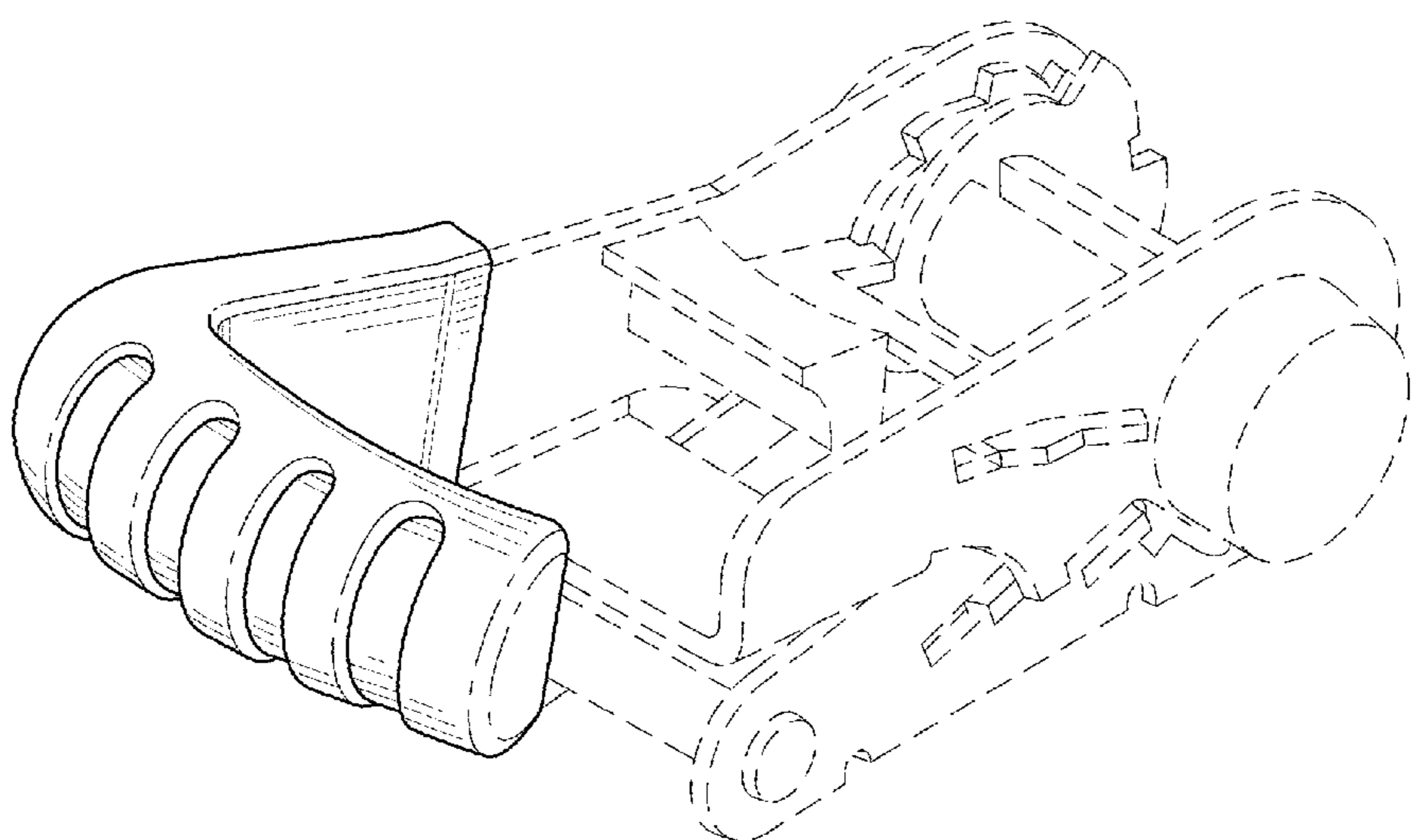
The ornamental design for a handle for ratchet assembly, as shown and described.

**DESCRIPTION**

FIG. 1 is a front, top, and side perspective view of a handle for ratchet assembly, in accordance with our new design; FIG. 2 is a top plan view of the handle for ratchet assembly shown in FIG. 1; FIG. 3 is a side elevation view of the handle for ratchet assembly shown in FIG. 1, taken from the right side of FIG. 1; FIG. 4 is a side elevation view of the handle for ratchet assembly shown in FIG. 1, taken from the left side of FIG. 1; FIG. 5 is a bottom plan view of the handle for ratchet assembly shown in FIG. 1; FIG. 6 is a front elevation view of the handle for ratchet assembly shown in FIG. 1; and, FIG. 7 is a rear elevation view of the handle for ratchet assembly shown in FIG. 1. The broken lines illustrate environmental structure which forms no part of the claimed design.

**1 Claim, 3 Drawing Sheets**

(56) **References Cited**  
U.S. PATENT DOCUMENTS  
D248,821 S \* 8/1978 Poe ..... D8/107  
D250,630 S \* 12/1978 Allegretti ..... D8/107  
D303,748 S \* 10/1989 Yamagishi ..... D7/649  
D319,379 S \* 8/1991 Cummings ..... D8/107  
D368,011 S \* 3/1996 McCoy ..... D8/303  
D374,518 S \* 10/1996 McIntyre ..... D21/694  
D427,166 S \* 6/2000 Krantz ..... D14/453



(56)

**References Cited**

U.S. PATENT DOCUMENTS

D657,217 S \* 4/2012 Chang ..... D8/107  
D678,031 S \* 3/2013 Wang ..... D8/107  
D681,411 S \* 5/2013 Qin ..... D8/44  
D712,228 S \* 9/2014 Rohrbach ..... D8/99  
D729,026 S \* 5/2015 Qin ..... D8/107  
D773,276 S \* 12/2016 Ou ..... D8/107  
2010/0263476 A1\* 10/2010 Peschmann ..... G05G 1/085  
74/546  
2010/0322737 A1\* 12/2010 Huang ..... B60P 7/083  
410/100

\* cited by examiner

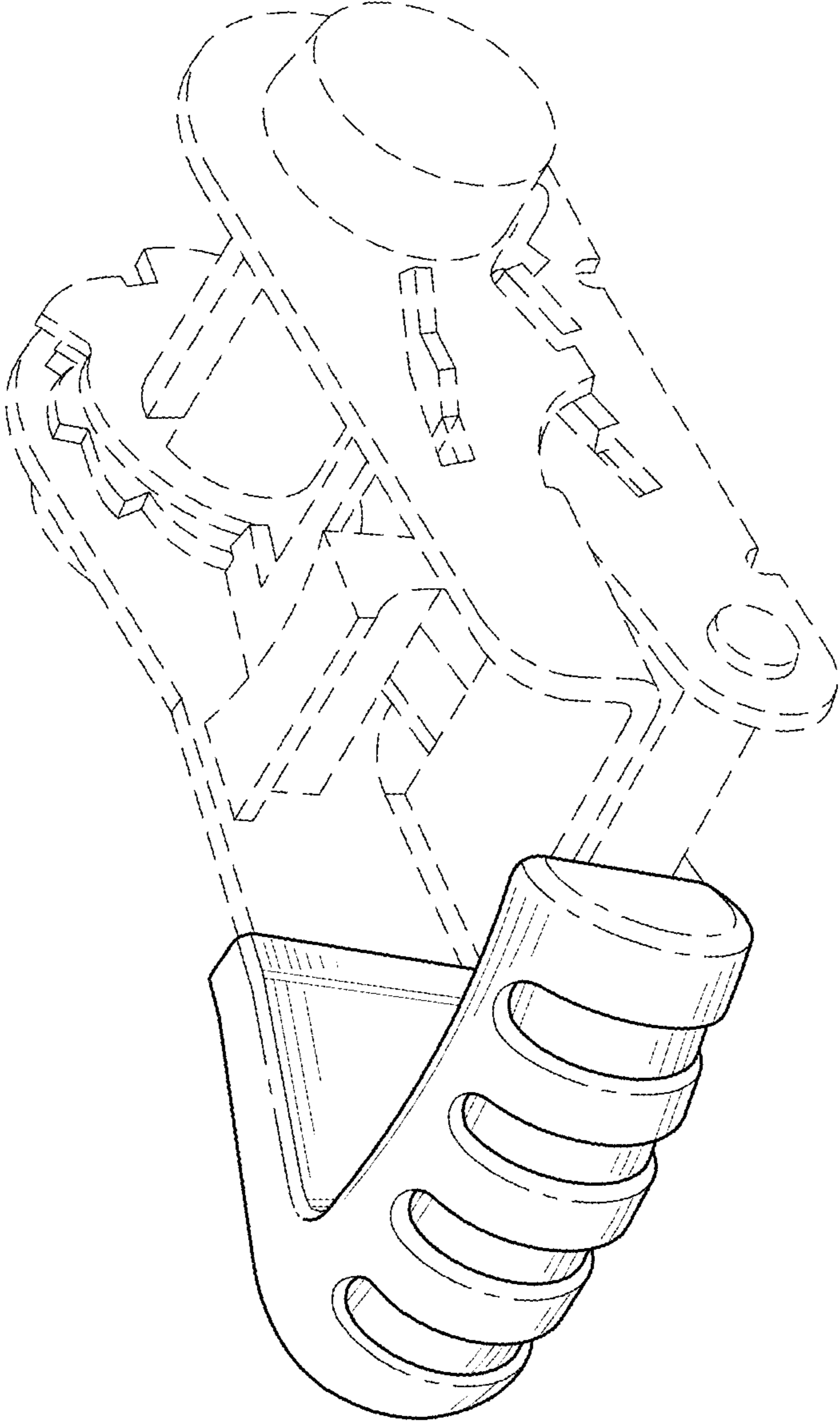


FIG. 1

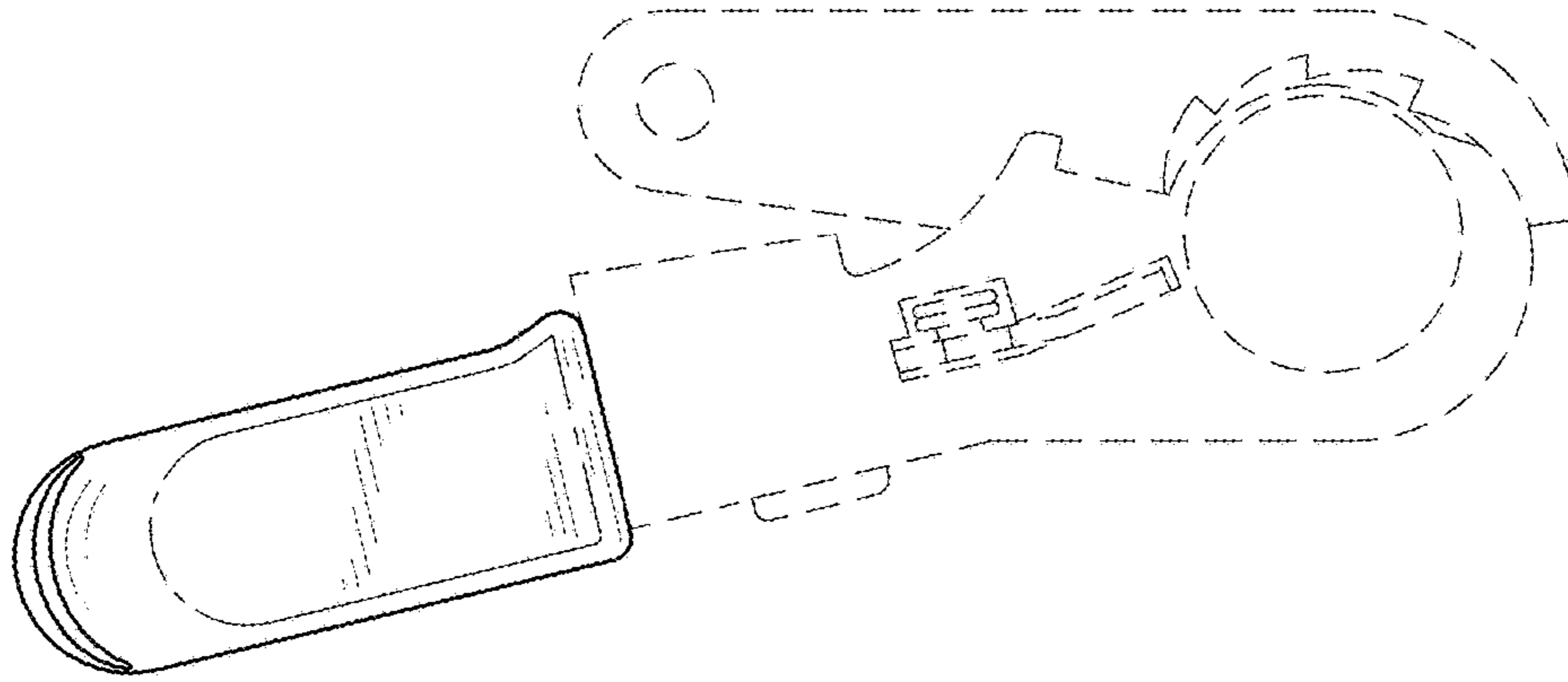


FIG. 4

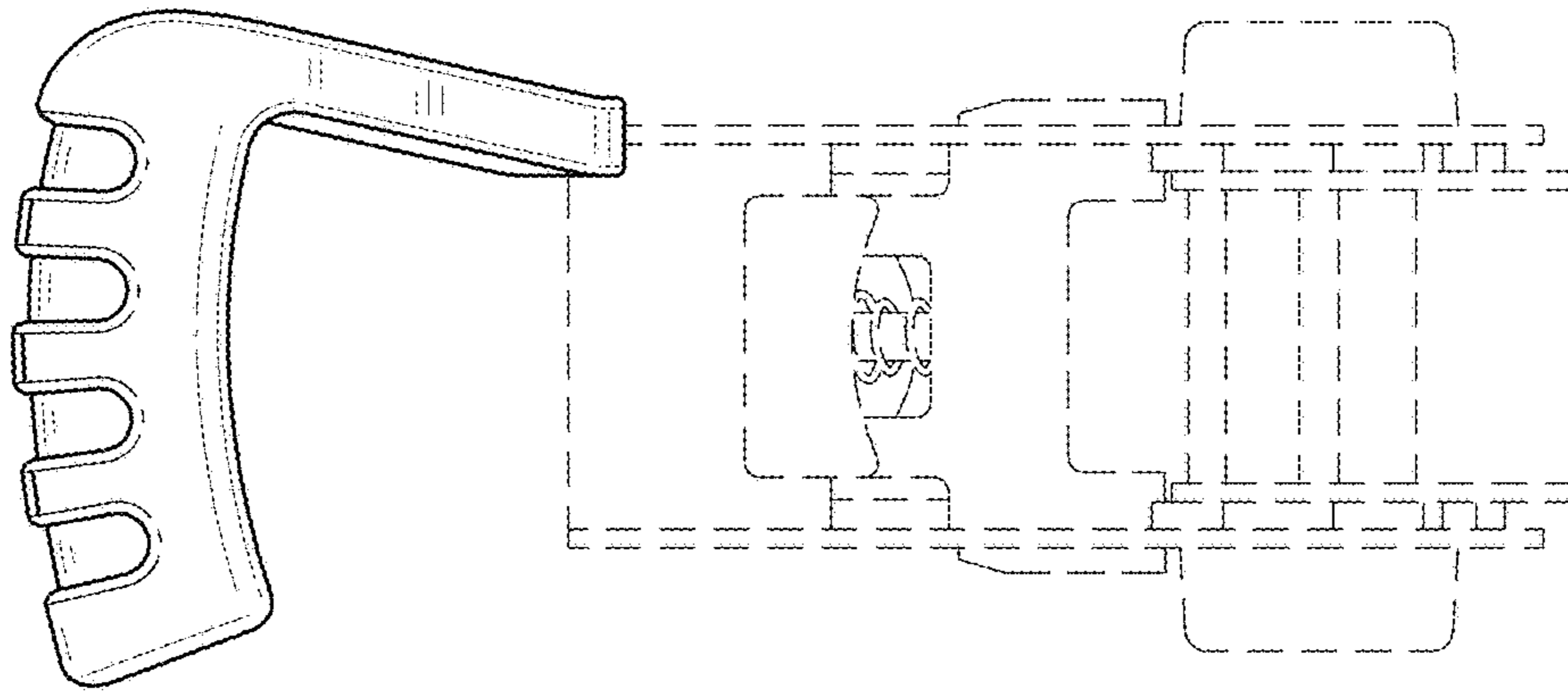


FIG. 2

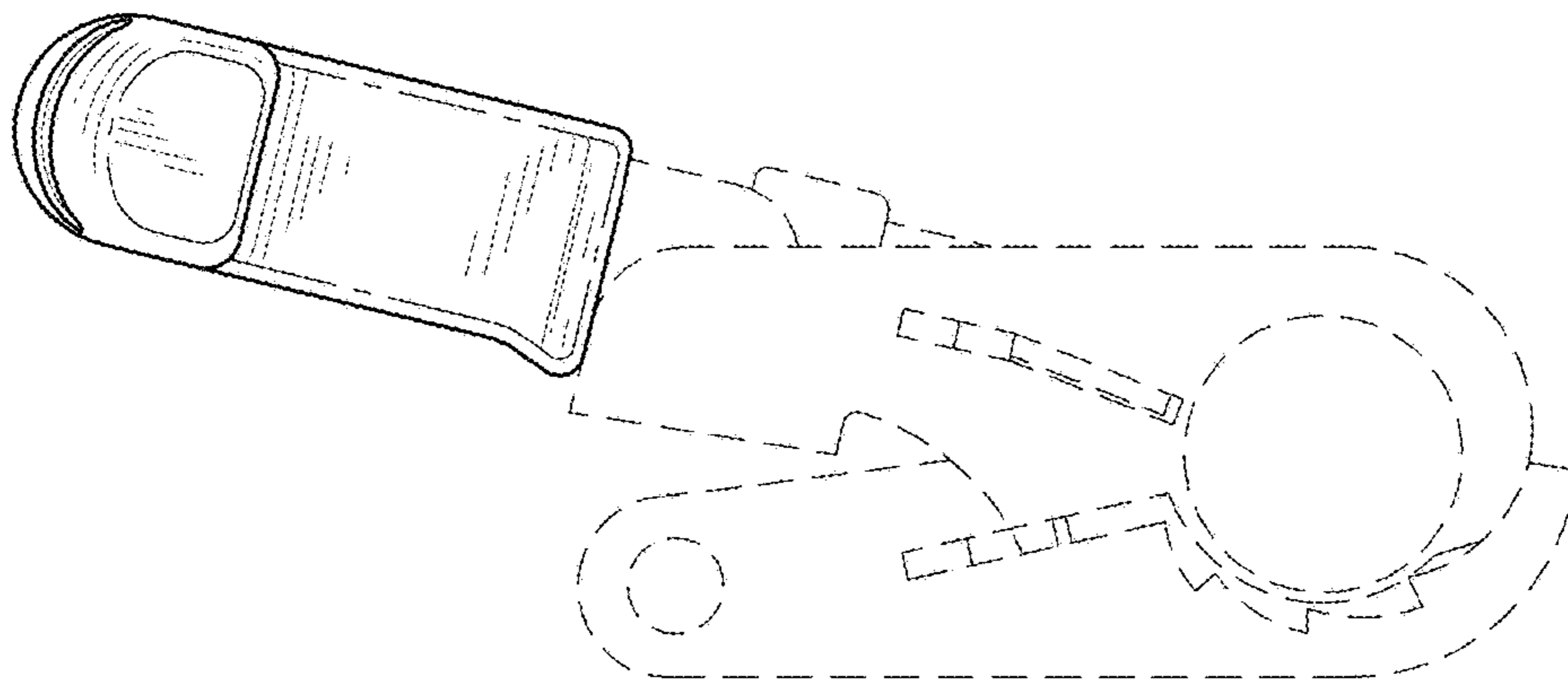


FIG. 3



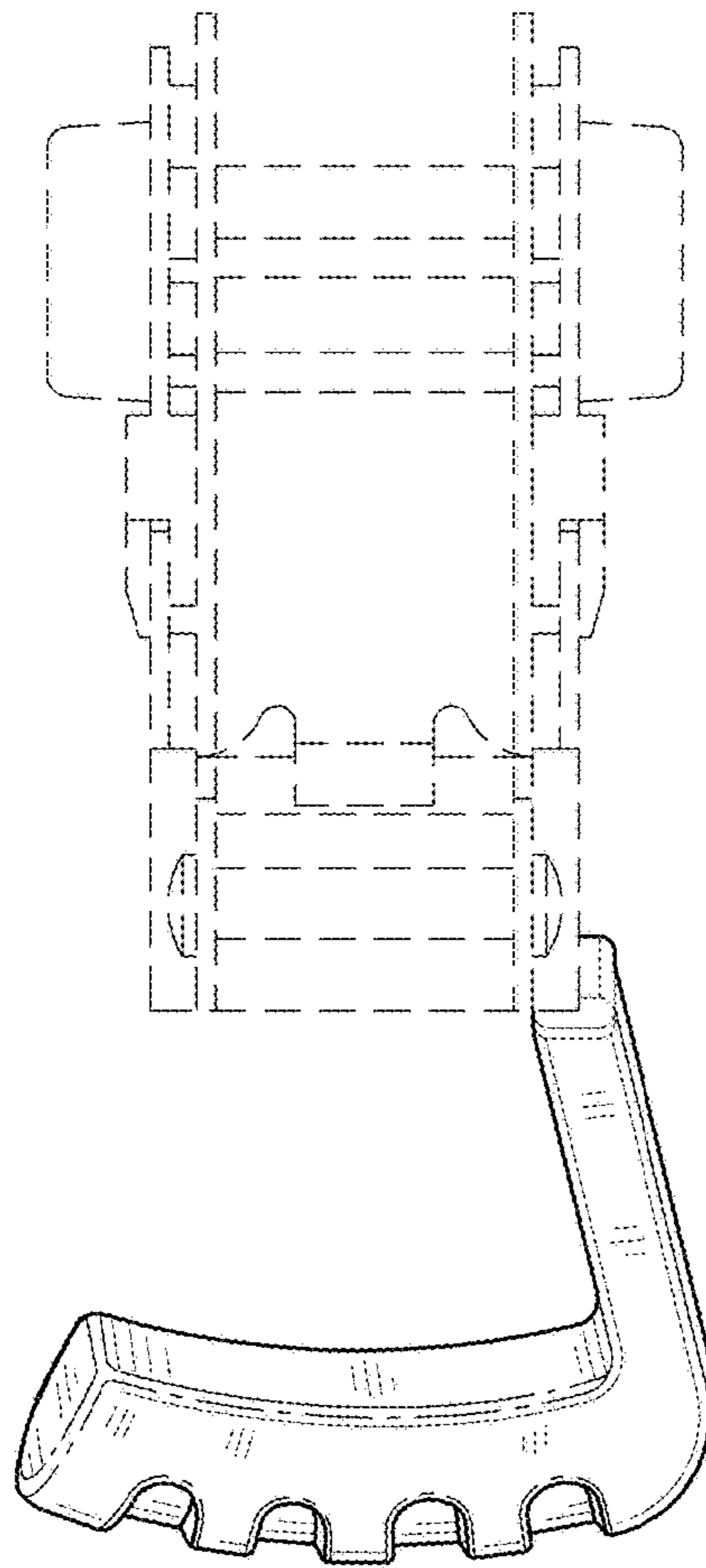


FIG. 5

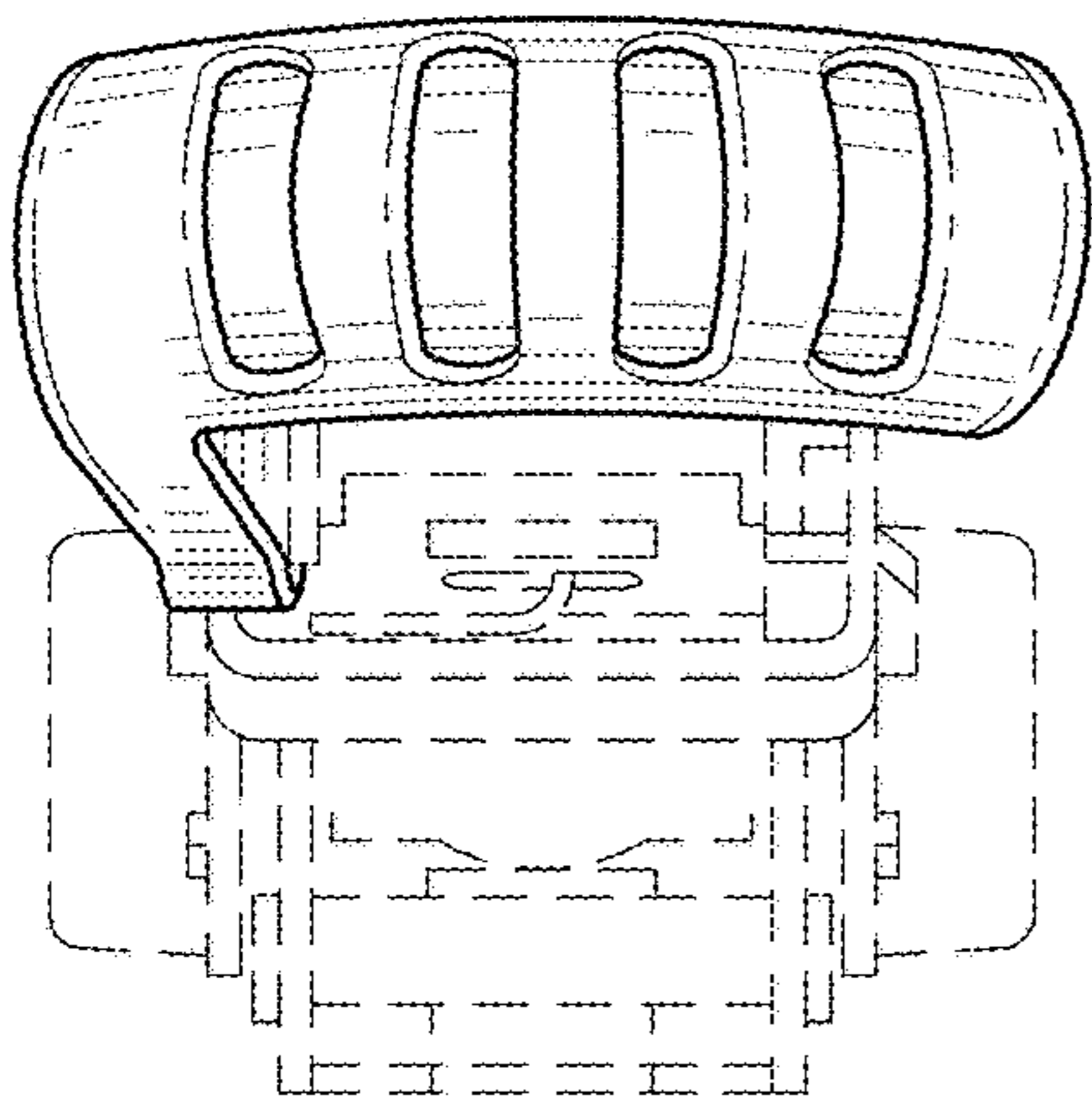


FIG. 6

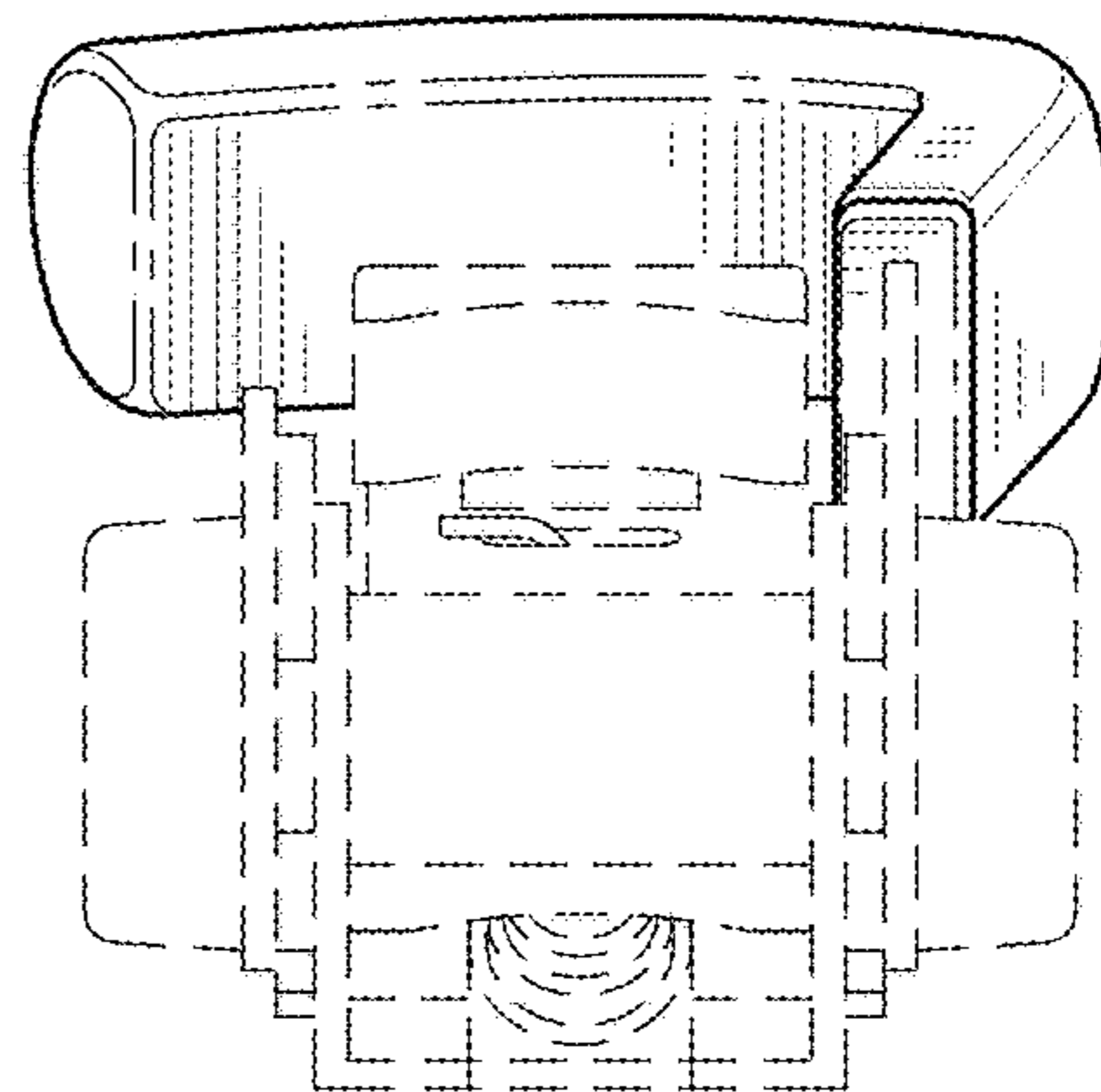


FIG. 7