



US00D818329S

(12) **United States Design Patent**
Furling et al.

(10) **Patent No.:** **US D818,329 S**

(45) **Date of Patent:** **** May 22, 2018**

(54) **AIR FILTER FOR A HOT AIR HAND DEVICE**

(71) Applicant: **Leister Technologies AG**, Kagiswil (CH)

(72) Inventors: **Andreas Furling**, Kerns (CH); **Adam Warkiewicz**, Bichelsee (CH)

(73) Assignee: **Leister Technologies AG**, Kagiswil (CH)

(**) Term: **15 Years**

(21) Appl. No.: **29/577,543**

(22) Filed: **Sep. 13, 2016**

(30) **Foreign Application Priority Data**

Apr. 6, 2016 (EM) 003057702-0001

(51) **LOC (11) Cl.** **08-05**

(52) **U.S. Cl.**
USPC **D8/29.1**

(58) **Field of Classification Search**
USPC D8/29.1, 29.2, 30; D23/317, 351;
D13/122; D12/196, 190; D15/144;
D28/13
CPC F24H 3/002; F24H 3/00; F24H 3/0423;
F24H 49/2071; F16M 13/00
See application file for complete search history.

(56) **References Cited**

U.S. PATENT DOCUMENTS

- D457,043 S * 5/2002 Cheng D8/29.1
- D611,971 S * 3/2010 Risse D15/144
- D631,315 S * 1/2011 Xue D8/67
- D648,606 S * 11/2011 Sallander D8/29.1
- D659,496 S * 5/2012 Mochizuki D8/29.1
- 8,948,577 B2 * 2/2015 Eberli F24H 3/0423
392/379
- D743,764 S * 11/2015 Teraoka D8/29.1
- D757,834 S * 5/2016 Duncan D16/200

- D771,454 S * 11/2016 Steinel D8/29.1
- D775,257 S * 12/2016 Holbrook D16/219
- 2010/0008655 A1 * 1/2010 Tackitt F24H 3/0423
392/385

* cited by examiner

Primary Examiner — Phillip S Hyder

(74) *Attorney, Agent, or Firm* — Charles H Jew

(57) **CLAIM**

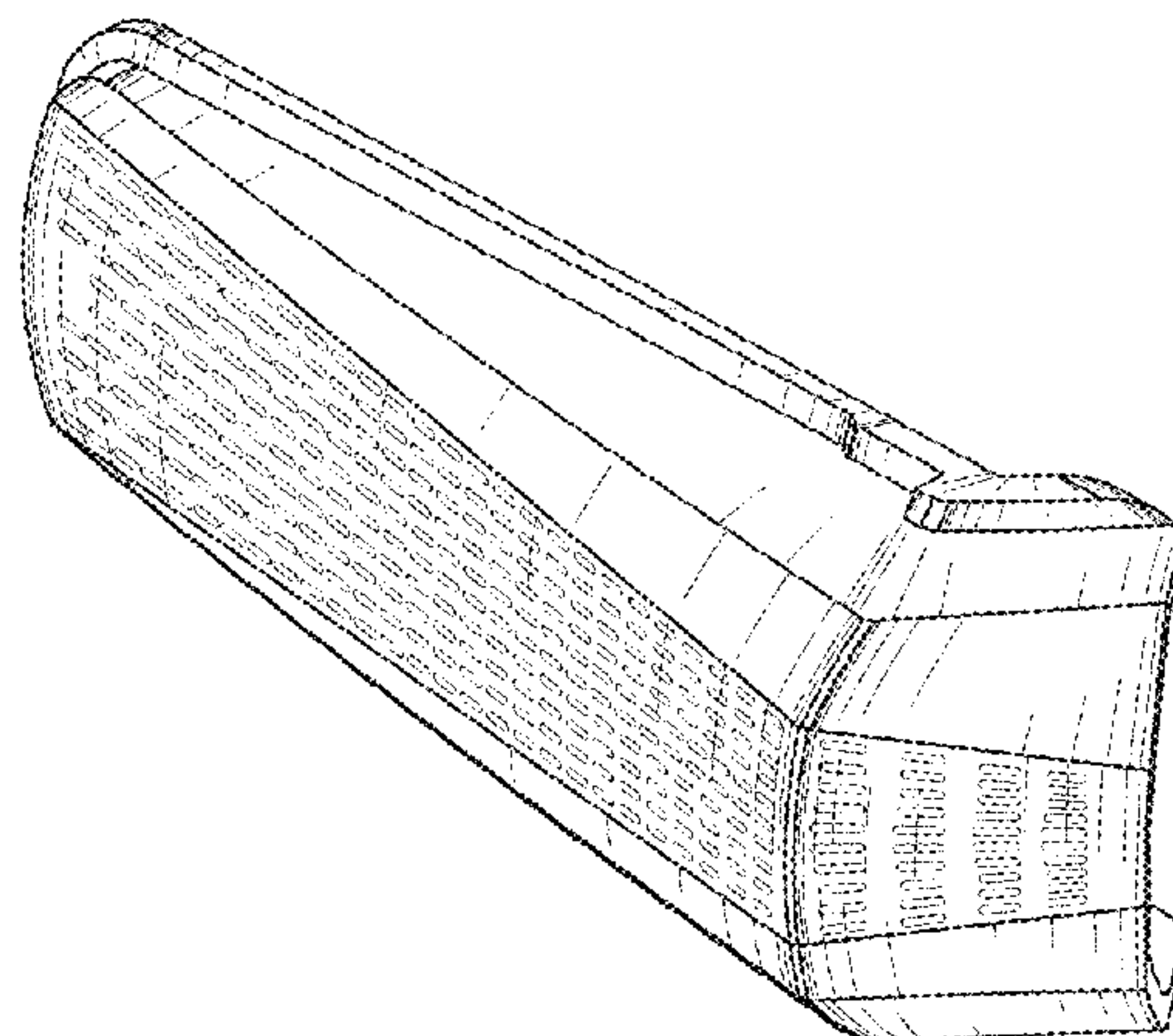
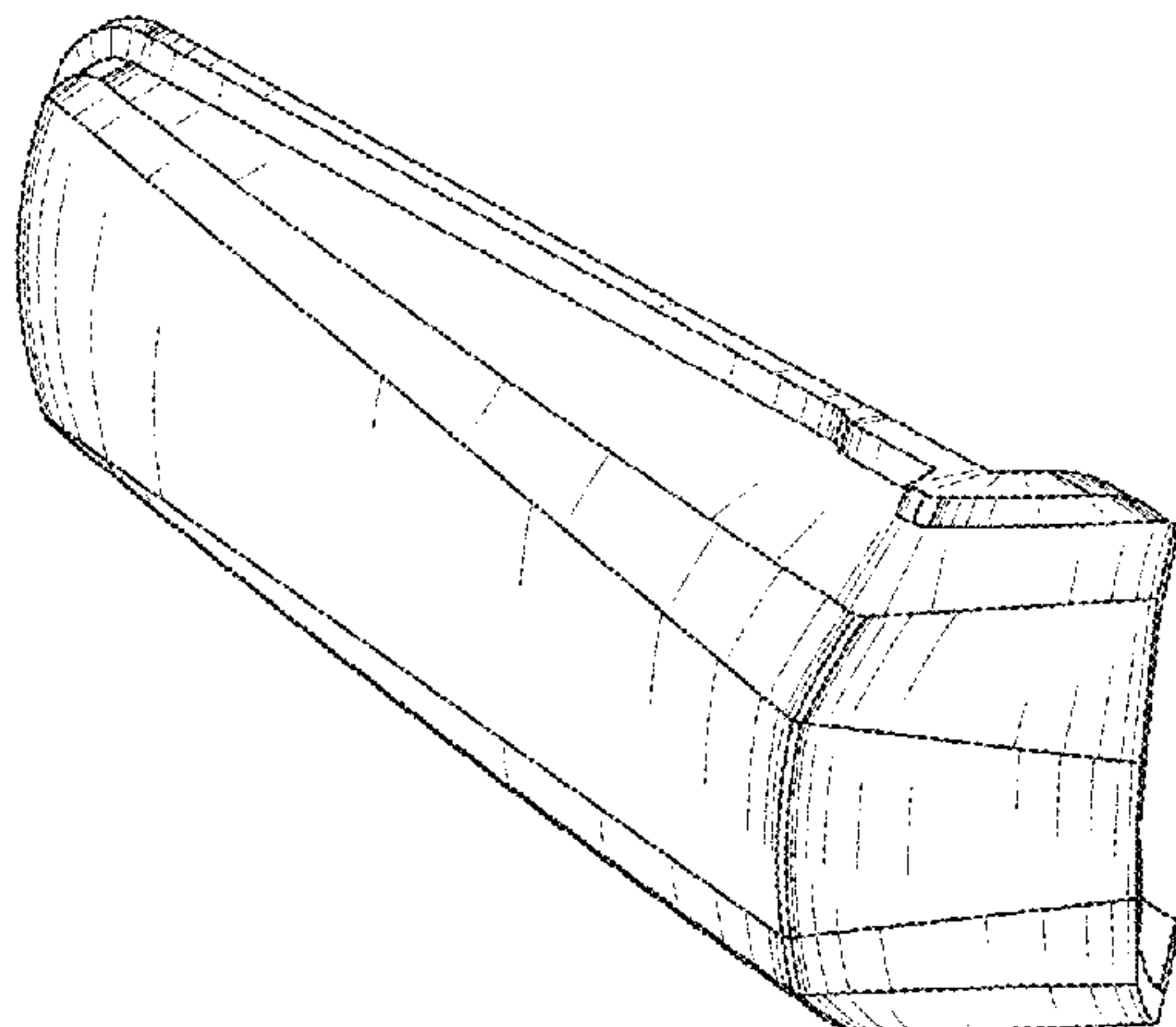
The ornamental design for an air filter for a hot air hand device, as shown and described.

DESCRIPTION

FIG. 1 is a top plan view of the air filter for a hot air hand device showing our new design;
 FIG. 2 is a bottom plan view thereof;
 FIG. 3 is a front elevational view thereof;
 FIG. 4 is a rear elevational view thereof;
 FIG. 5 is a right side elevational view thereof;
 FIG. 6 is a left side elevational view thereof;
 FIG. 7 is a front perspective view thereof;
 FIG. 8 is a front perspective view thereof shown mounted onto a hot air hand device;
 FIG. 9 is a top plan view of a second embodiment of the air filter;
 FIG. 10 is a bottom plan view thereof;
 FIG. 11 is a front elevational view thereof;
 FIG. 12 is a rear elevational view thereof;
 FIG. 13 is a right side elevational view thereof;
 FIG. 14 is a left side elevational view thereof;
 FIG. 15 is a front perspective view thereof; and,
 FIG. 16 is a front perspective view thereof shown mounted onto a hot air hand device.

The features shown in broken lines depict environmental subject matter only and form no part of the claimed design.

1 Claim, 6 Drawing Sheets



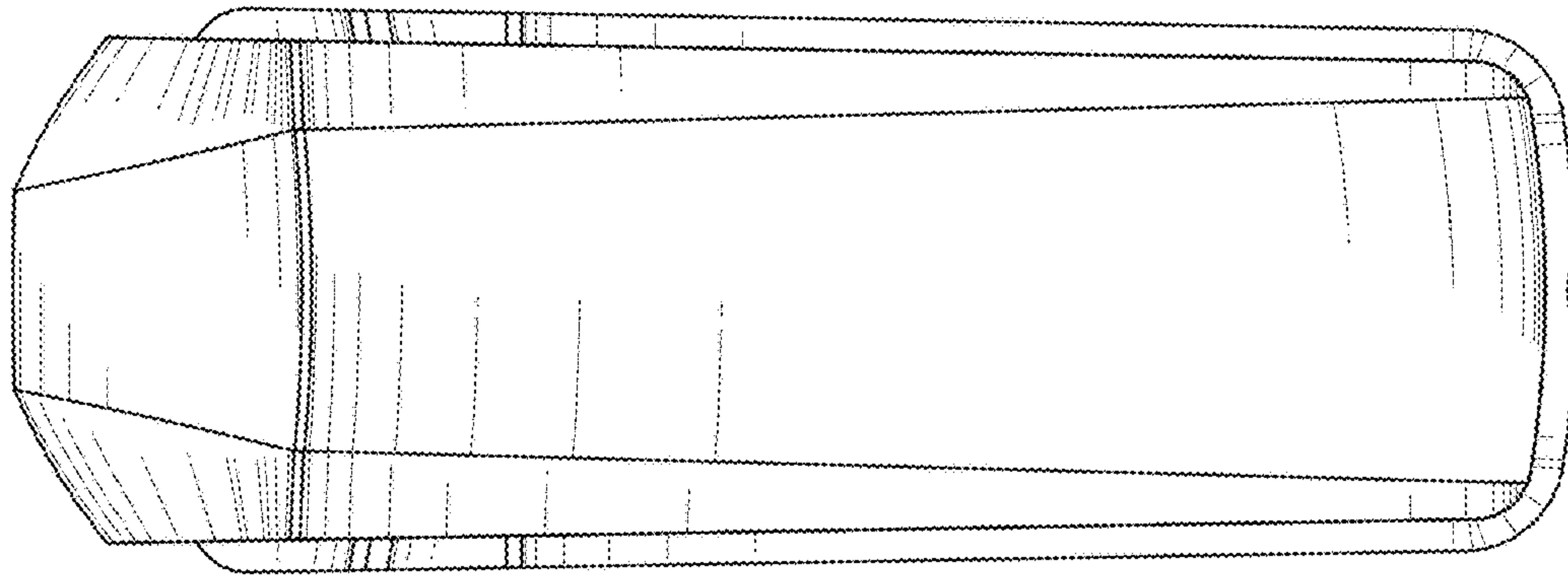


FIG. 1

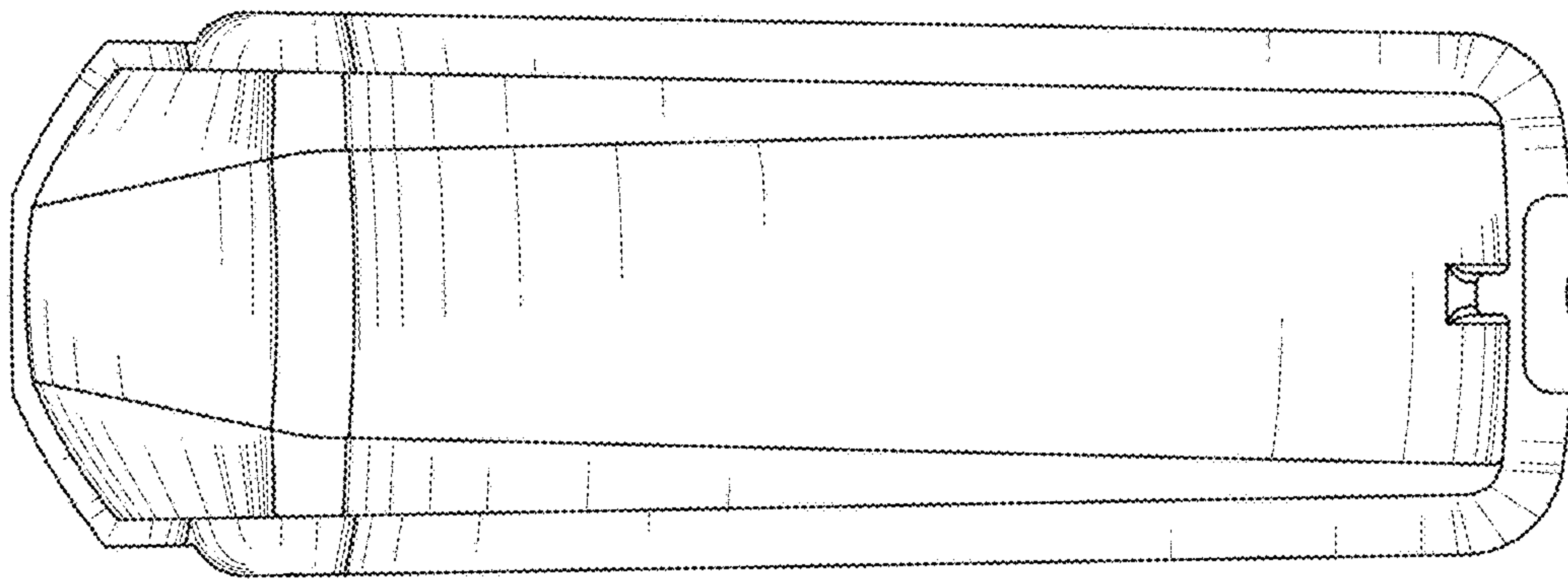


FIG. 2

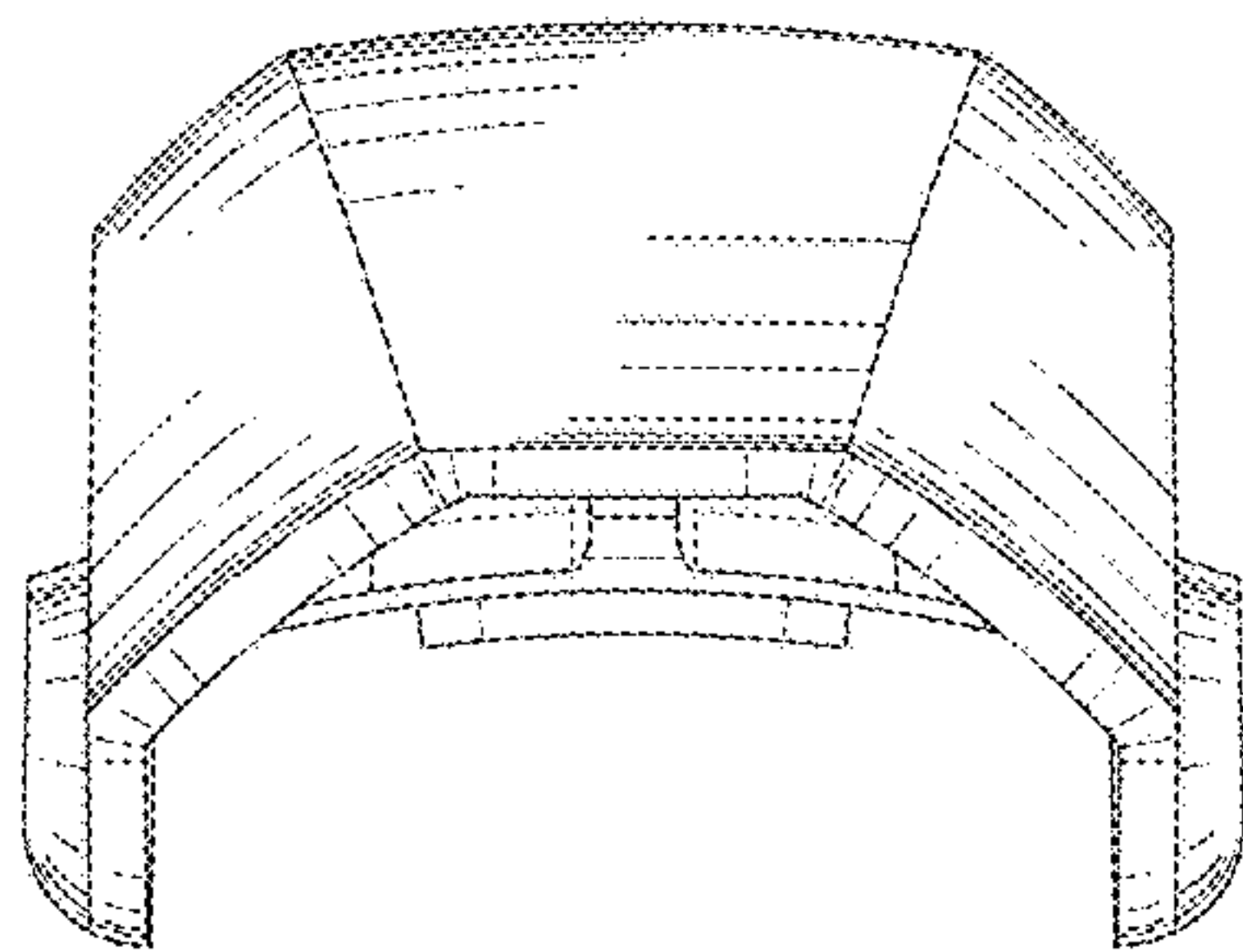


FIG. 3

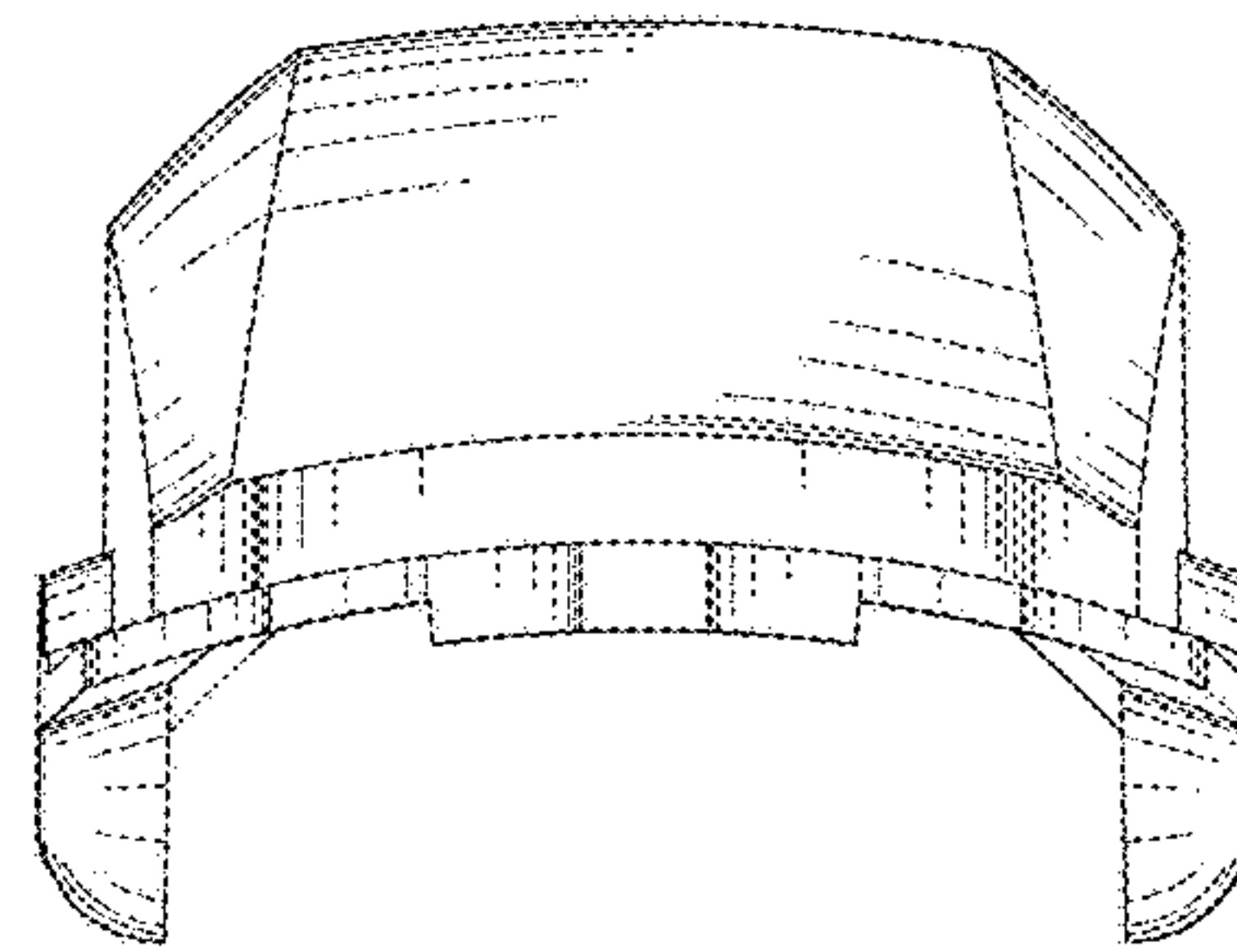


FIG. 4

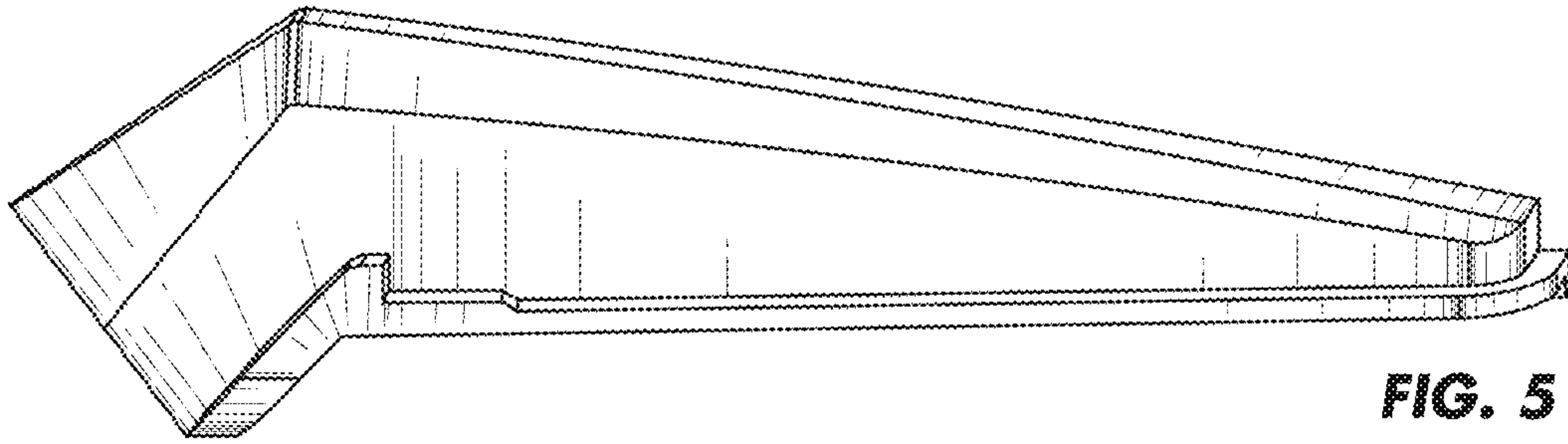


FIG. 5

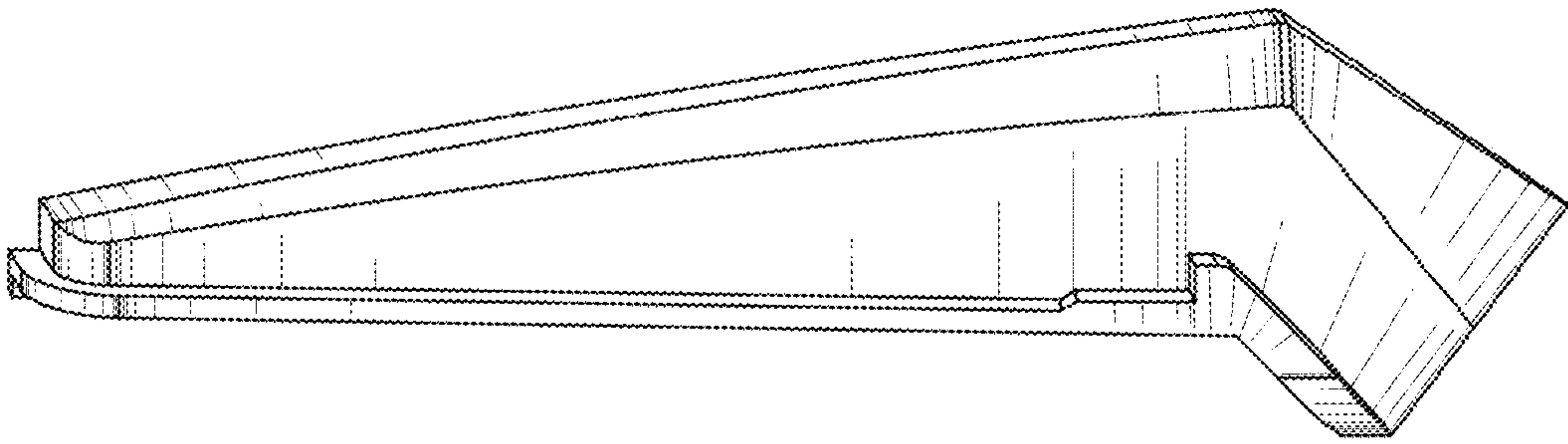


FIG. 6

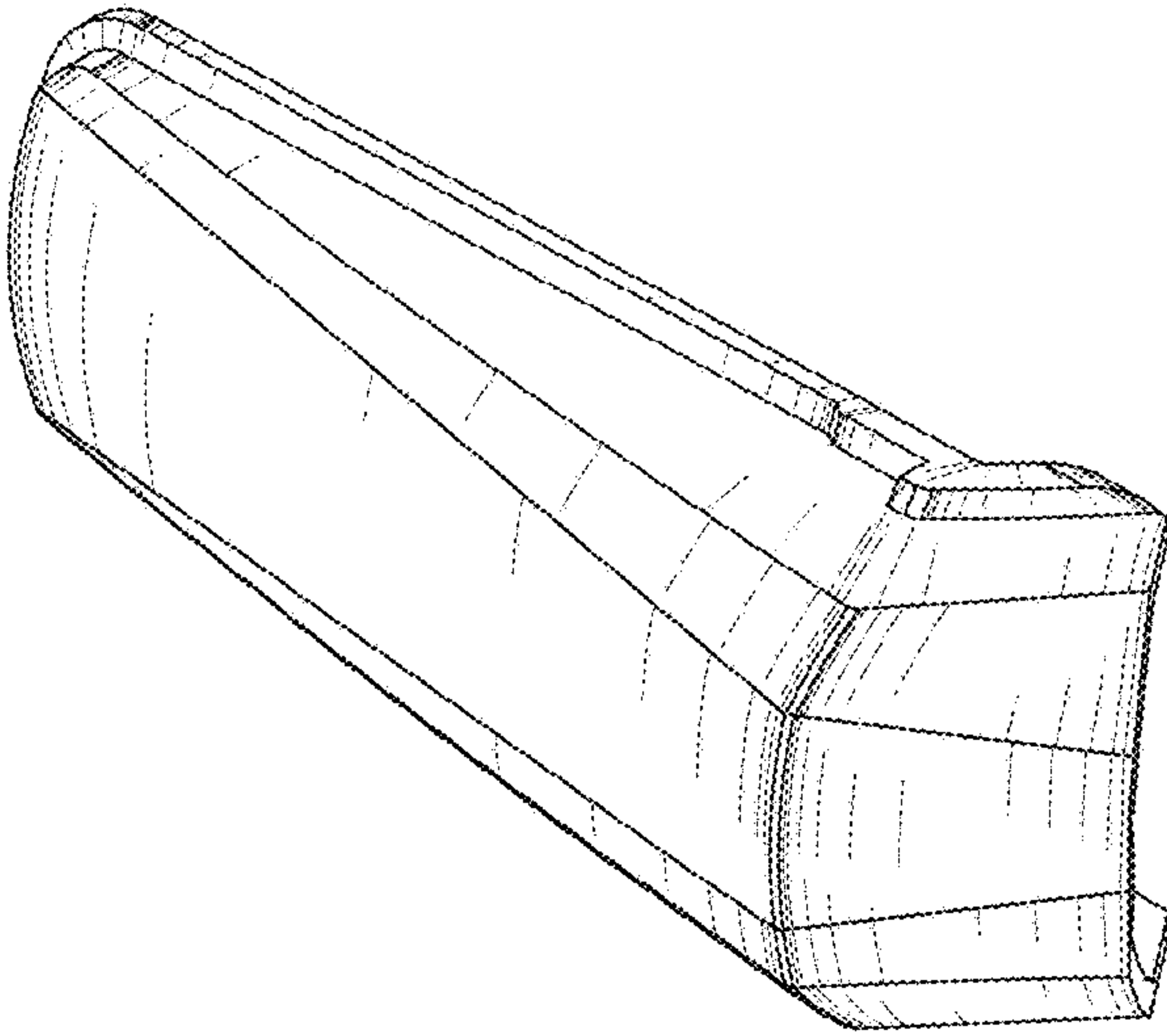


FIG. 7

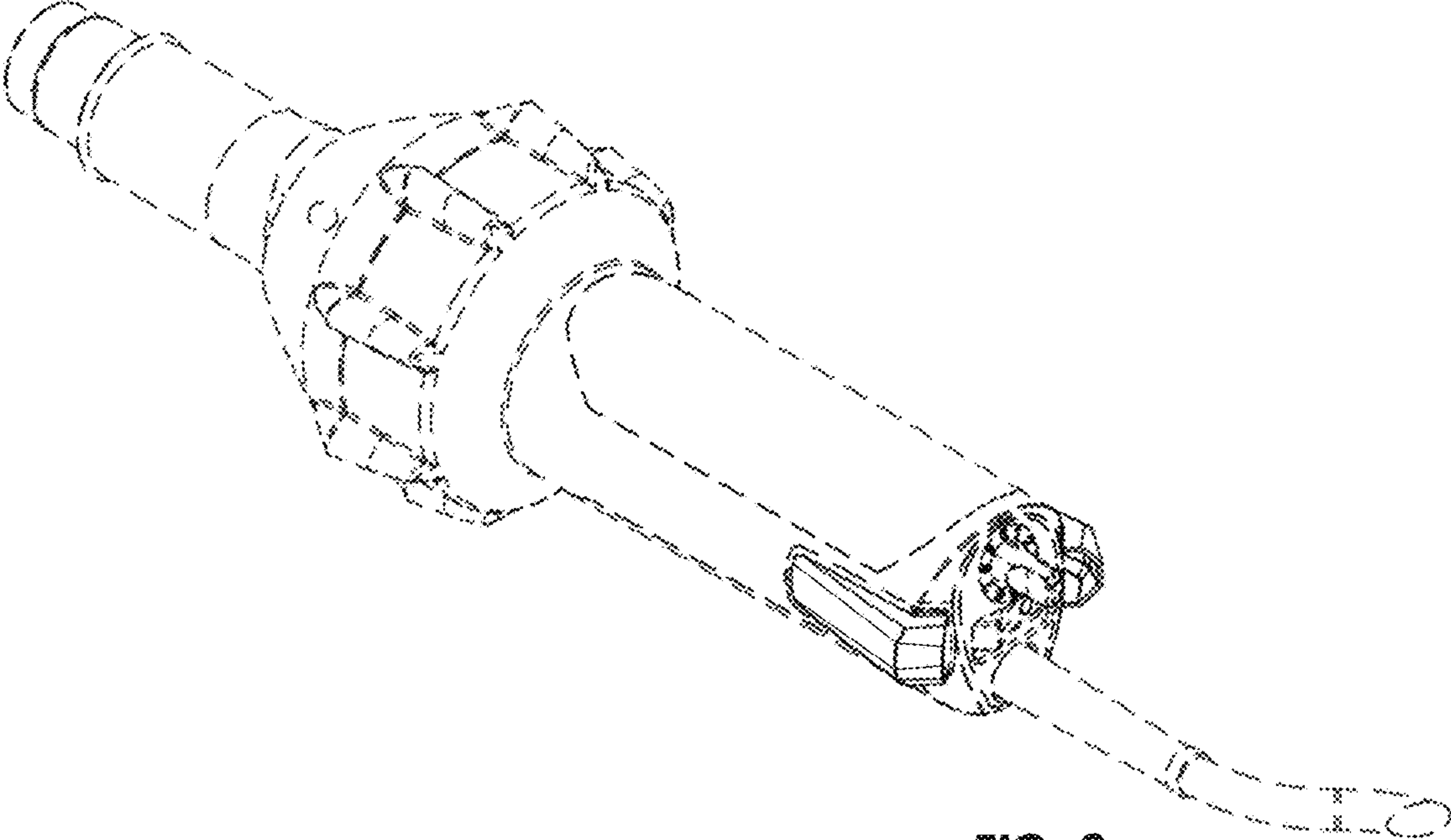


FIG. 8

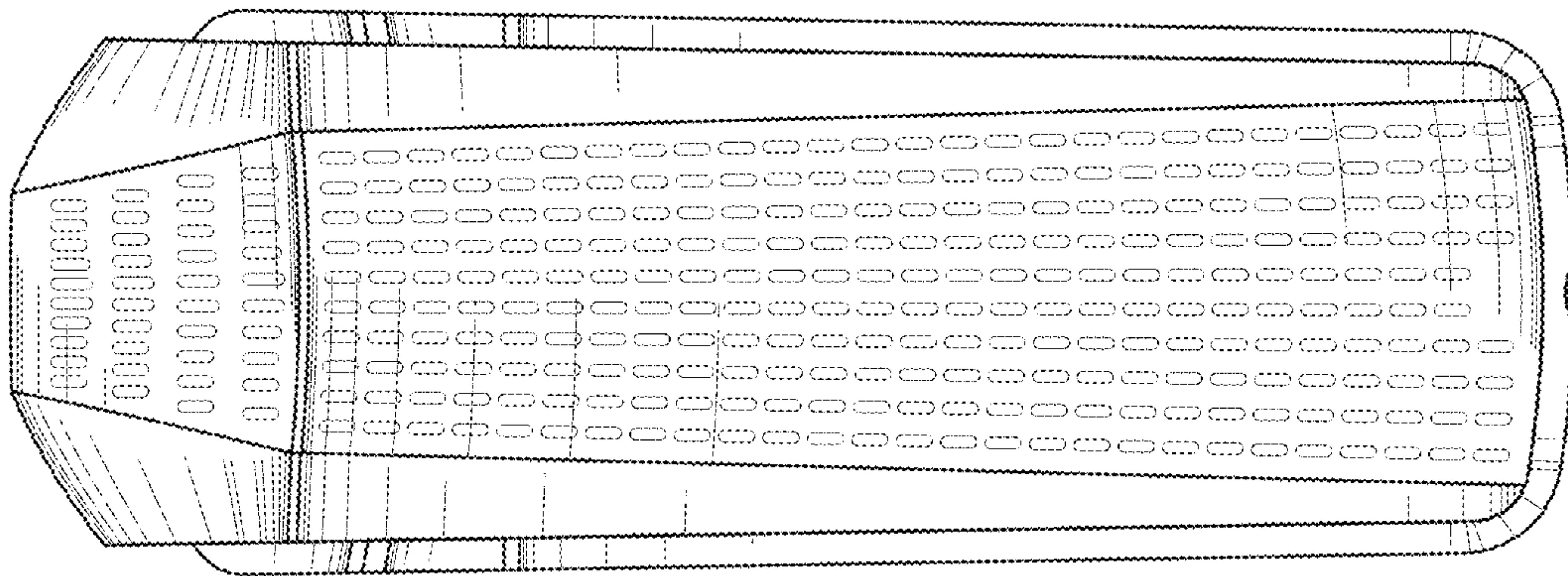


FIG. 9

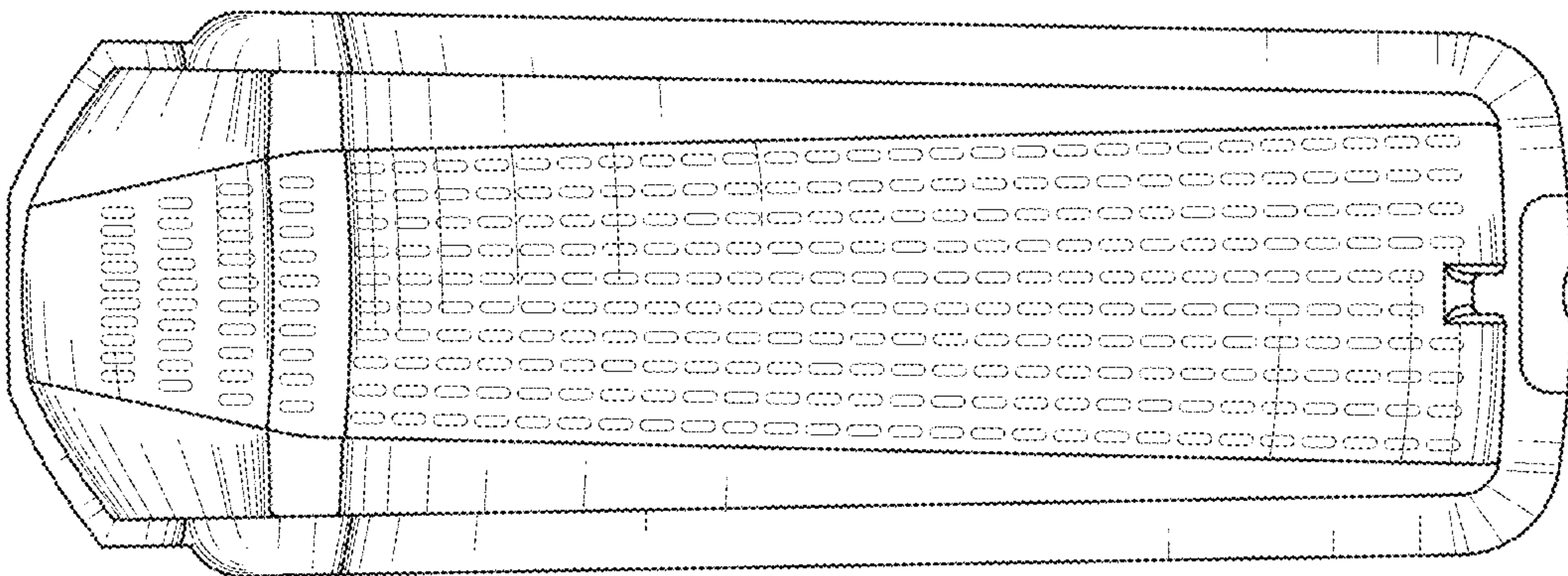


FIG. 10

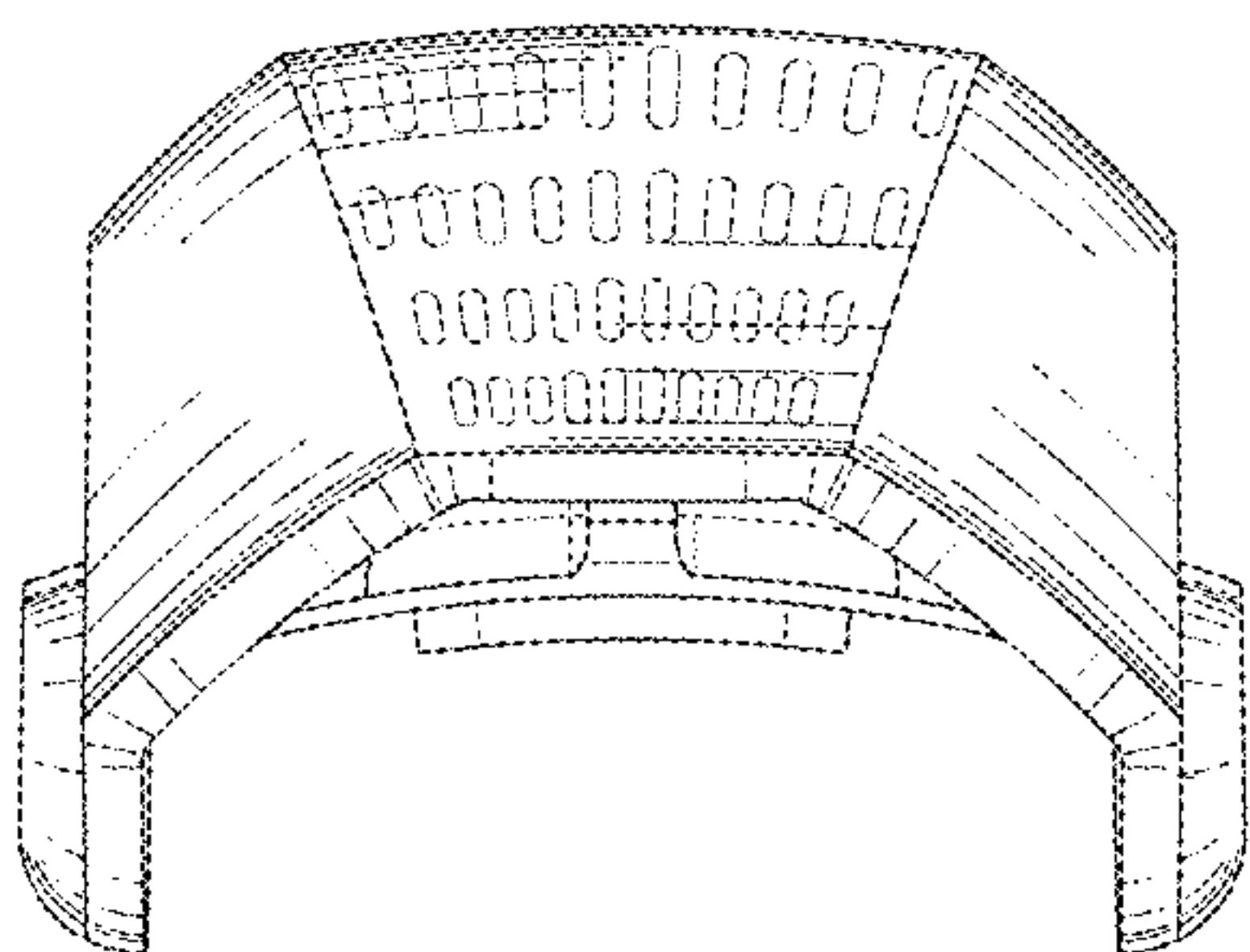


FIG. 11

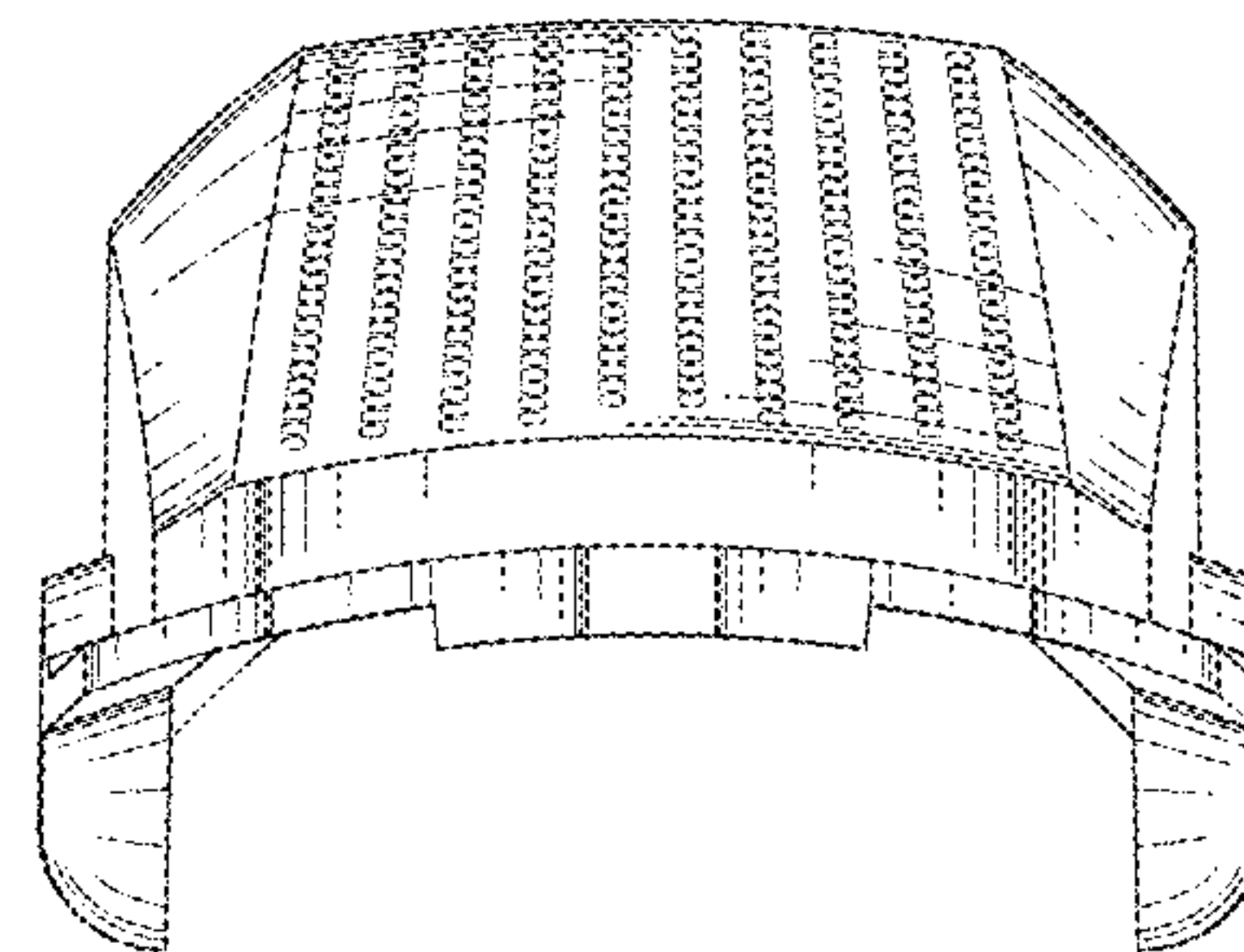


FIG. 12

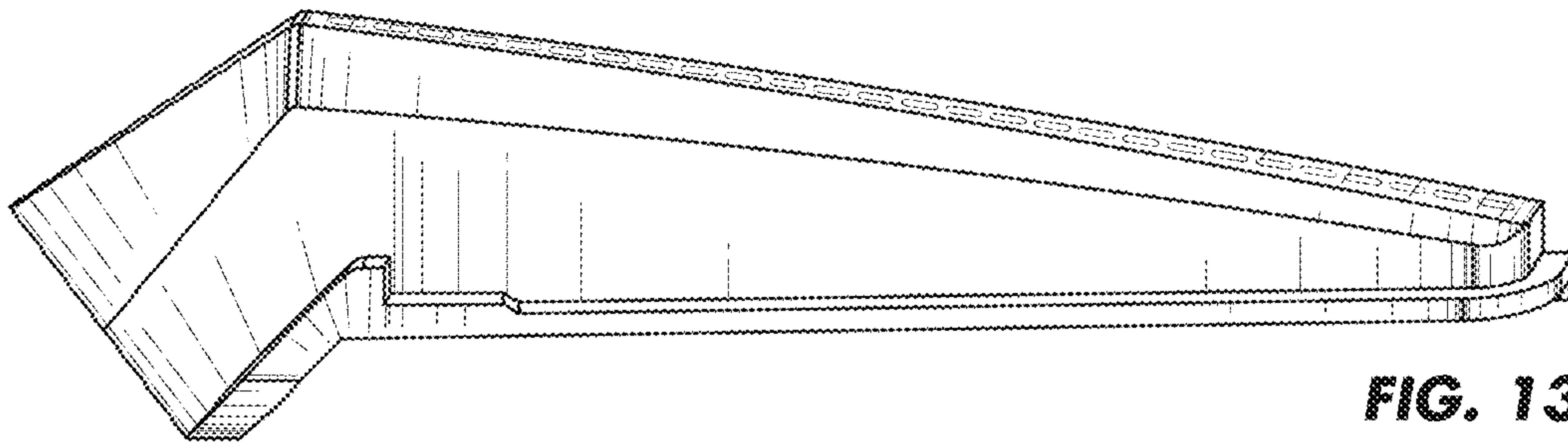


FIG. 13

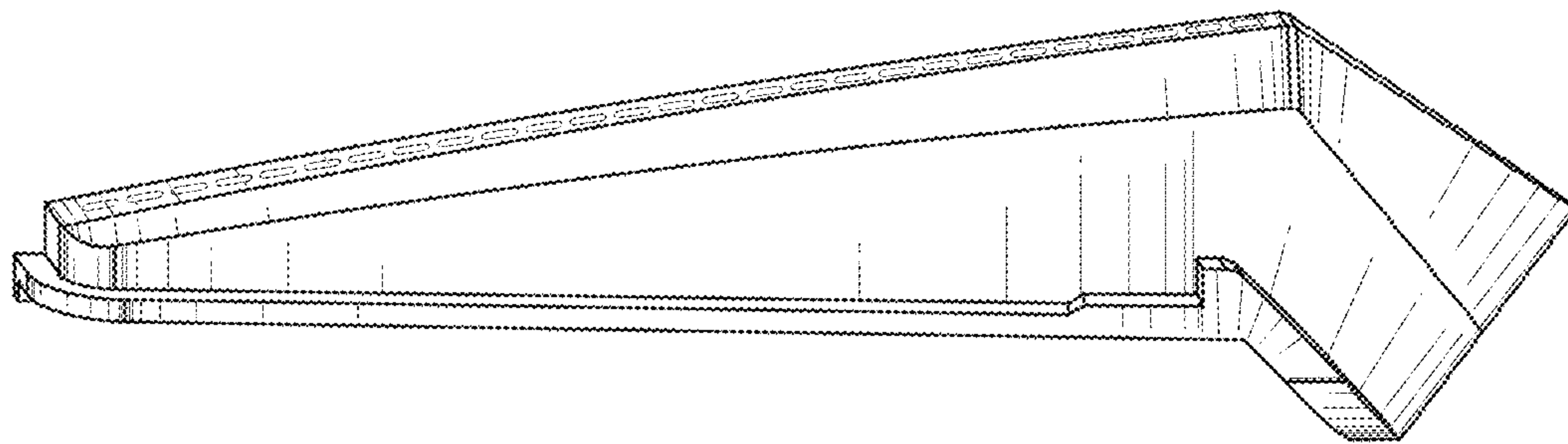


FIG. 14

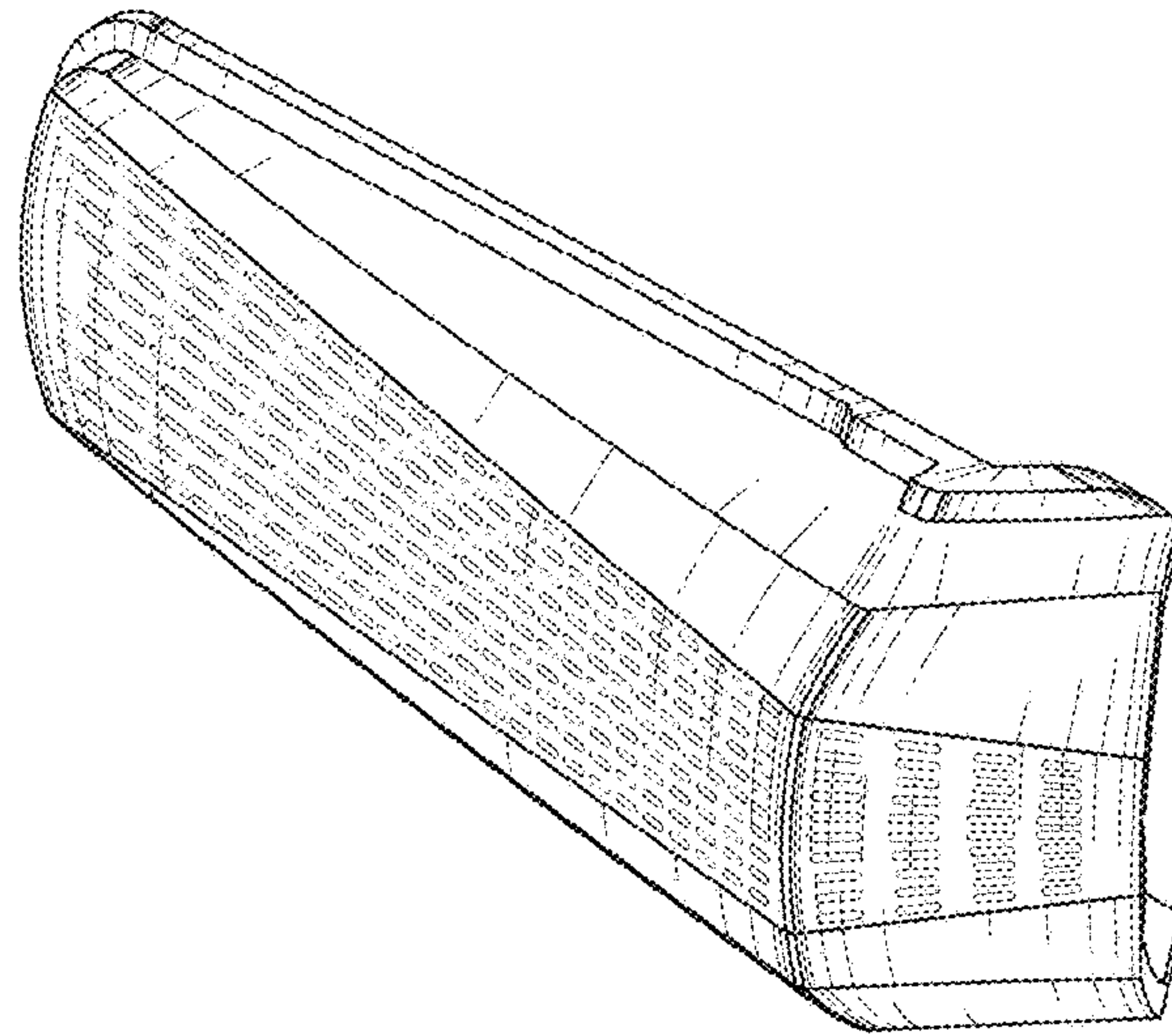


FIG. 15

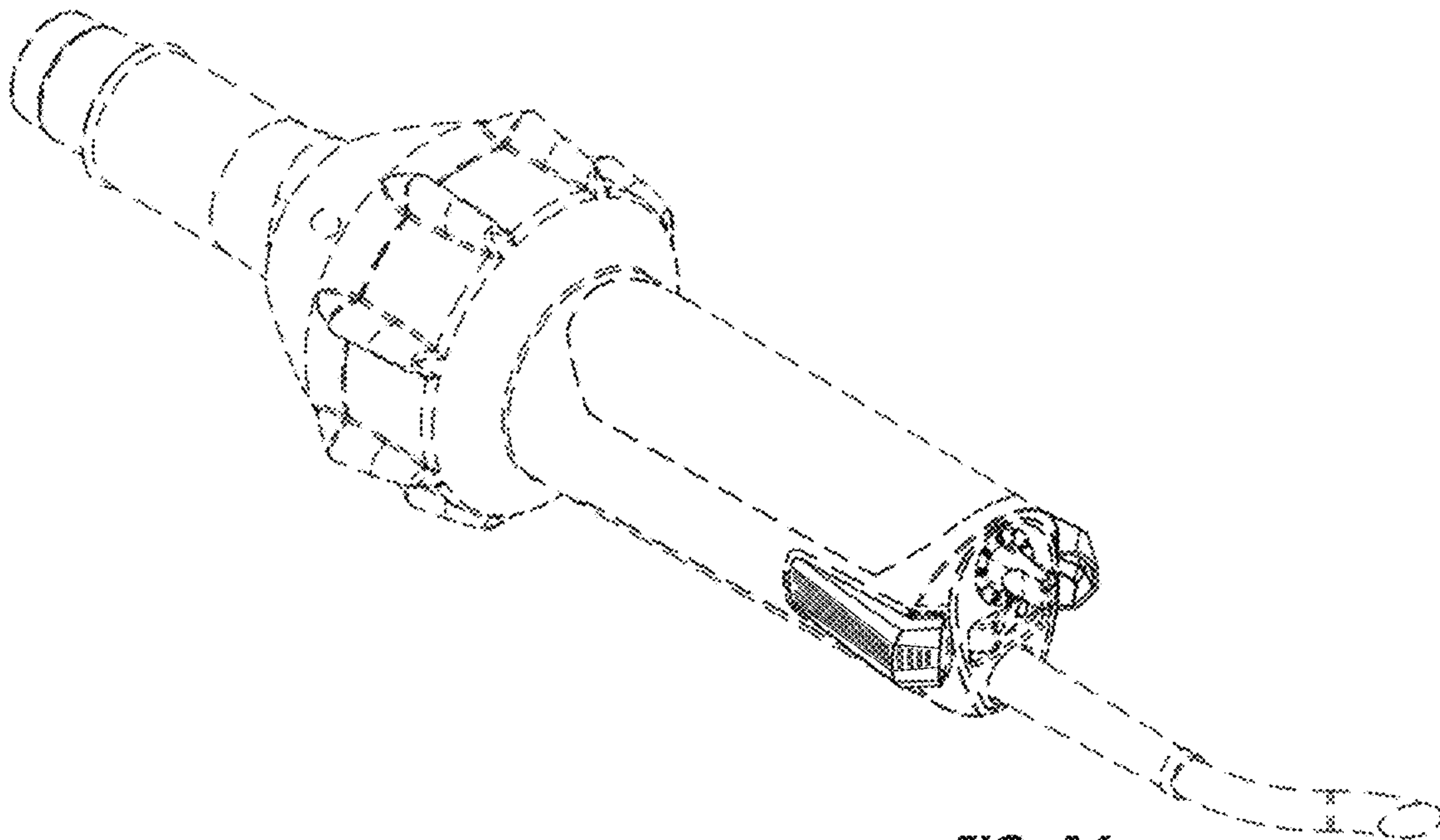


FIG. 16