



US00D818327S

(12) **United States Design Patent**  
**Roach**

(10) **Patent No.:** **US D818,327 S**

(45) **Date of Patent:** **\*\* May 22, 2018**

(54) **CHEESE SQUEEZER**

FOREIGN PATENT DOCUMENTS

(71) Applicant: **Brad Austin Roach**, Toronto (CA)

CA 2131325 A1 8/1998

(72) Inventor: **Brad Austin Roach**, Toronto (CA)

CA 2093996 A1 11/2005

(\*\*) Term: **15 Years**

CN 201630005518 \* 1/2016

(21) Appl. No.: **29/591,630**

*Primary Examiner* — Garth Rademaker

*Assistant Examiner* — Omeed Agilee

(22) Filed: **Jan. 22, 2017**

(74) *Attorney, Agent, or Firm* — QuickPatents, LLC;

Kevin Prince

(51) **LOC (11) Cl.** ..... **07-04**

(57) **CLAIM**

(52) **U.S. Cl.**

I claim the ornamental design for a cheese squeezer, as shown and described.

USPC ..... **D7/669**

(58) **Field of Classification Search**

**DESCRIPTION**

USPC ..... D7/665–668, 680, 669

CPC ..... A47J 19/00; A47J 19/02; A47J 19/06

See application file for complete search history.

(56) **References Cited**

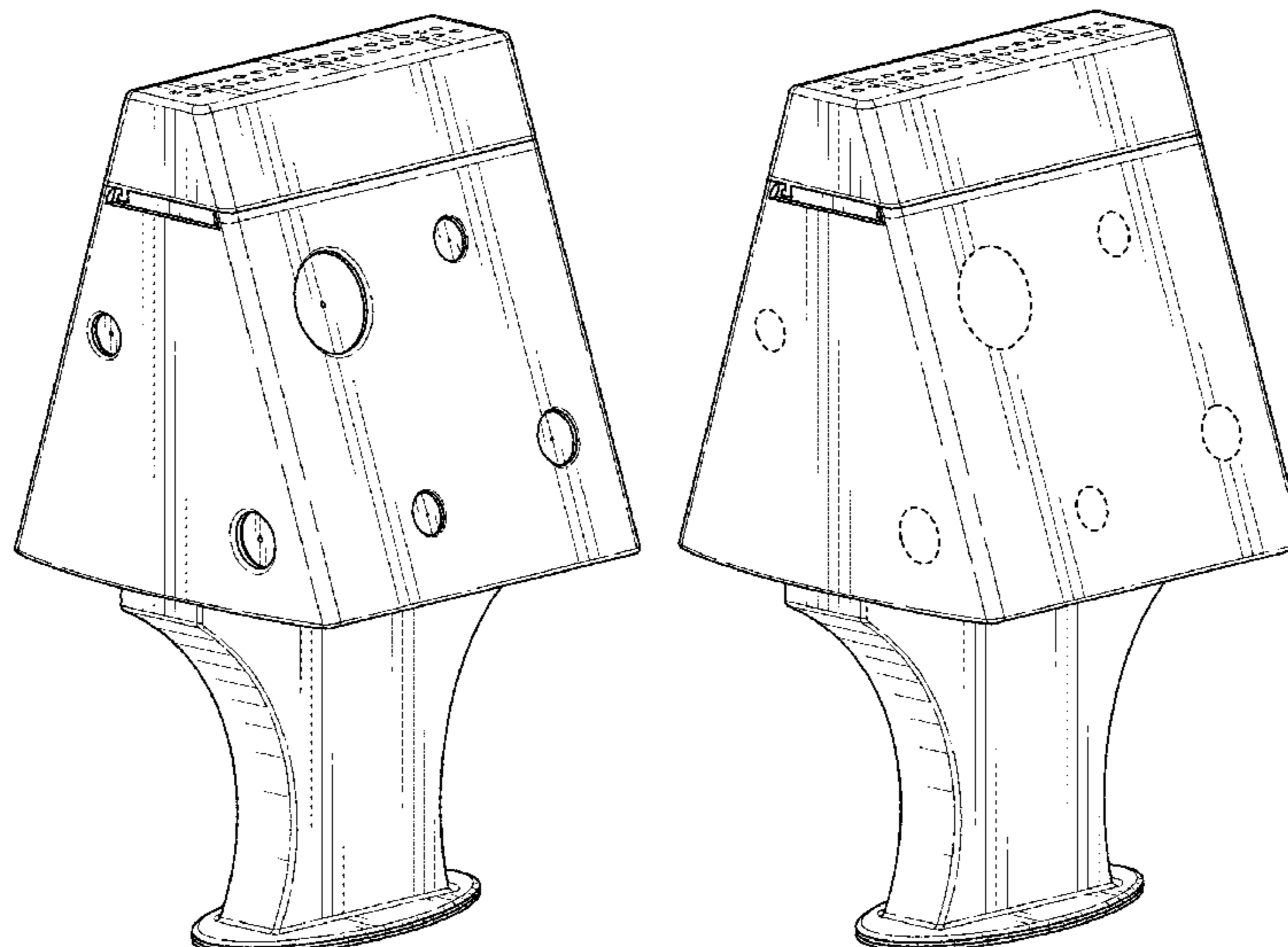
U.S. PATENT DOCUMENTS

3,580,168	A *	5/1971	Zysset	.....	A47J 19/06
					100/234
3,583,455	A *	6/1971	Ostrowsky	.....	A47J 43/25
					241/100
D324,979	S *	3/1992	Aguirre	.....	D7/669
5,241,150	A	8/1993	Garvey et al.		
5,368,199	A	11/1994	Haas et al.		
5,417,991	A	5/1995	Green		
5,513,562	A *	5/1996	Moor	.....	A47J 19/06
					100/112
5,718,356	A	2/1998	Nottingham et al.		
D412,647	S *	8/1999	Prissberg	.....	D7/642
6,153,238	A	11/2000	Shannon		
6,247,618	B1	6/2001	Liberatore		
D457,780	S *	5/2002	Hannum	.....	D7/393
6,543,344	B1 *	4/2003	Settele	.....	A47J 19/06
					100/110
6,651,848	B1	11/2003	Redmond		
7,000,535	B2 *	2/2006	Harrison-Griffin	.....	A47J 19/06
					100/126
D521,814	S *	5/2006	Dorion	.....	D7/665

(Continued)

FIG. 1 is a front and right perspective view of a cheese squeezer, showing a first embodiment of my new design; FIG. 2 is a front elevational view of FIG. 1; FIG. 3 is a rear elevational view of FIG. 1; FIG. 4 is a left-side elevational view of FIG. 1; FIG. 5 is a right-side elevational view of FIG. 1; FIG. 6 is a top plan view of FIG. 1; FIG. 7 is a bottom plan view of FIG. 1; FIG. 8 is an exploded perspective view of FIG. 1; FIG. 9 is a front and left perspective view of FIG. 1; FIG. 10 is a front and right perspective view of a second embodiment thereof; FIG. 11 is a front elevational view of FIG. 10; FIG. 12 is a rear elevational view of FIG. 10; FIG. 13 is a left-side elevational view of FIG. 10; FIG. 14 is a right-side elevational view of FIG. 10; FIG. 15 is a top plan view of FIG. 10; FIG. 16 is a bottom plan view of FIG. 10; FIG. 17 is an exploded perspective view of FIG. 10; and, FIG. 18 is a front and left perspective view of FIG. 10. The broken lines in the second embodiment depict portions of the cheese squeezer that form no part of the claimed design.

**1 Claim, 12 Drawing Sheets**



(56)

**References Cited**

U.S. PATENT DOCUMENTS

D521,817	S *	5/2006	So	.....	D7/665
D521,818	S *	5/2006	So	.....	D7/665
D604,118	S *	11/2009	Braidotti	.....	D7/628
D636,225	S *	4/2011	Andersson	.....	D7/213
D670,973	S *	11/2012	Piacenza	.....	D7/629
D750,448	S *	3/2016	Pallotto	.....	D7/666
D803,013	S *	11/2017	Cheng	.....	D7/665
2001/0050293	A1	12/2001	Phinn		
2004/0124210	A1	7/2004	Bartlein		
2006/0065132	A1	3/2006	Jongen et al.		
2007/0289455	A1 *	12/2007	Dorion	.....	A47J 19/022
					100/213
2014/0231343	A1 *	8/2014	Jalet	.....	A23N 1/003
					210/541
2016/0220056	A1 *	8/2016	Wong	.....	A47J 19/06
2017/0181580	A1 *	6/2017	Wong	.....	A47J 43/04

\* cited by examiner

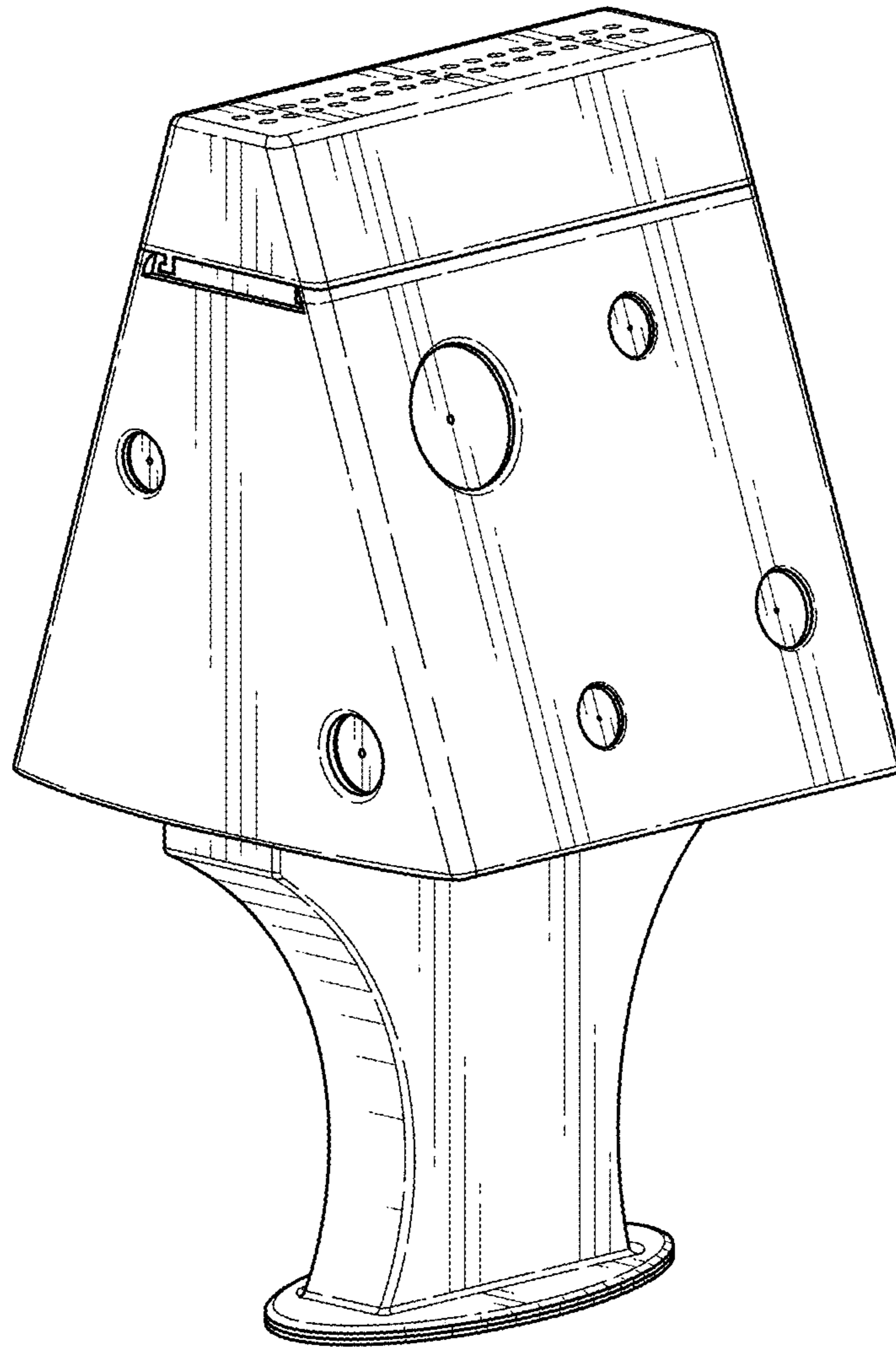


FIG. 1

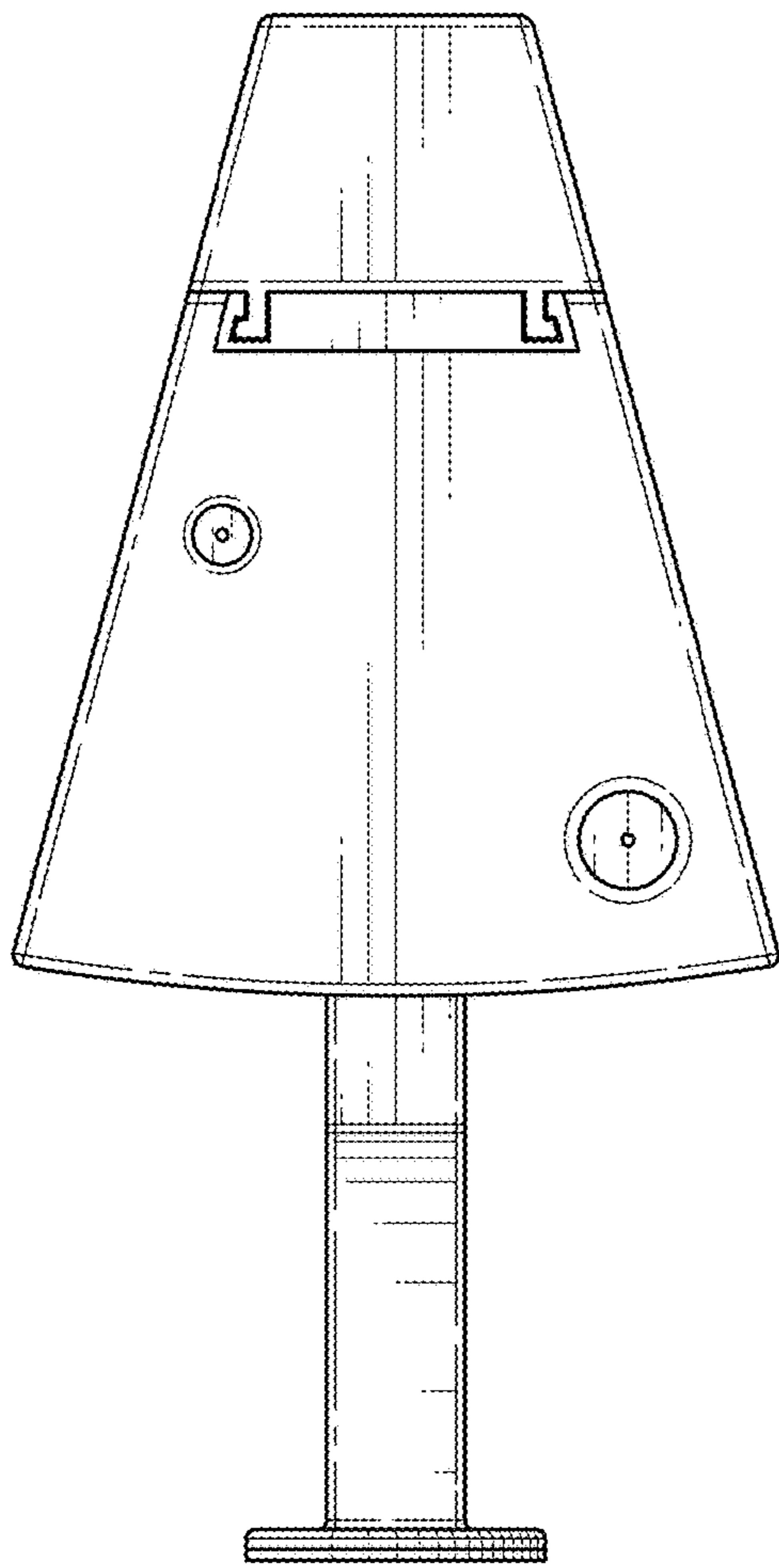


FIG. 2

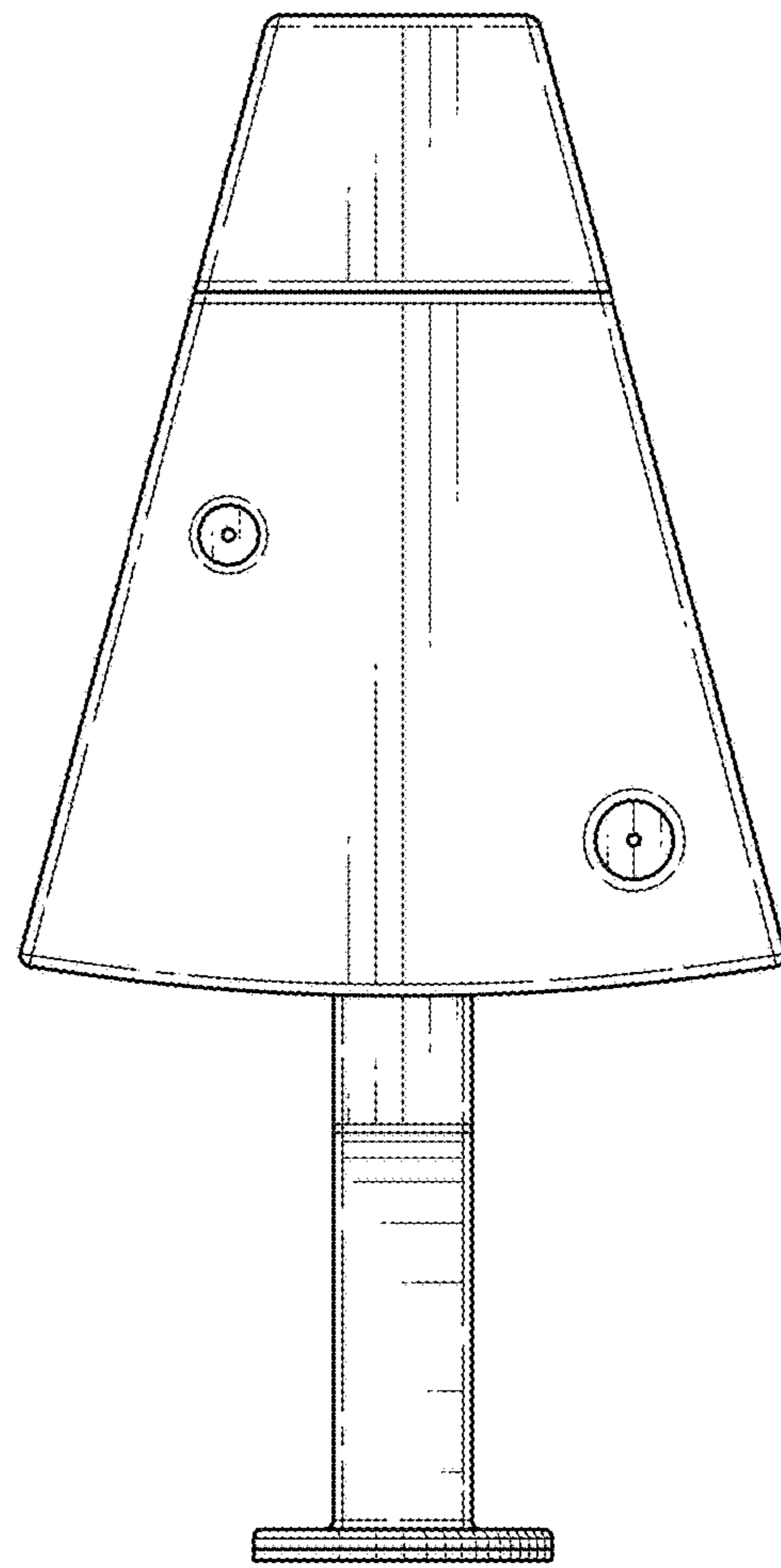


FIG. 3

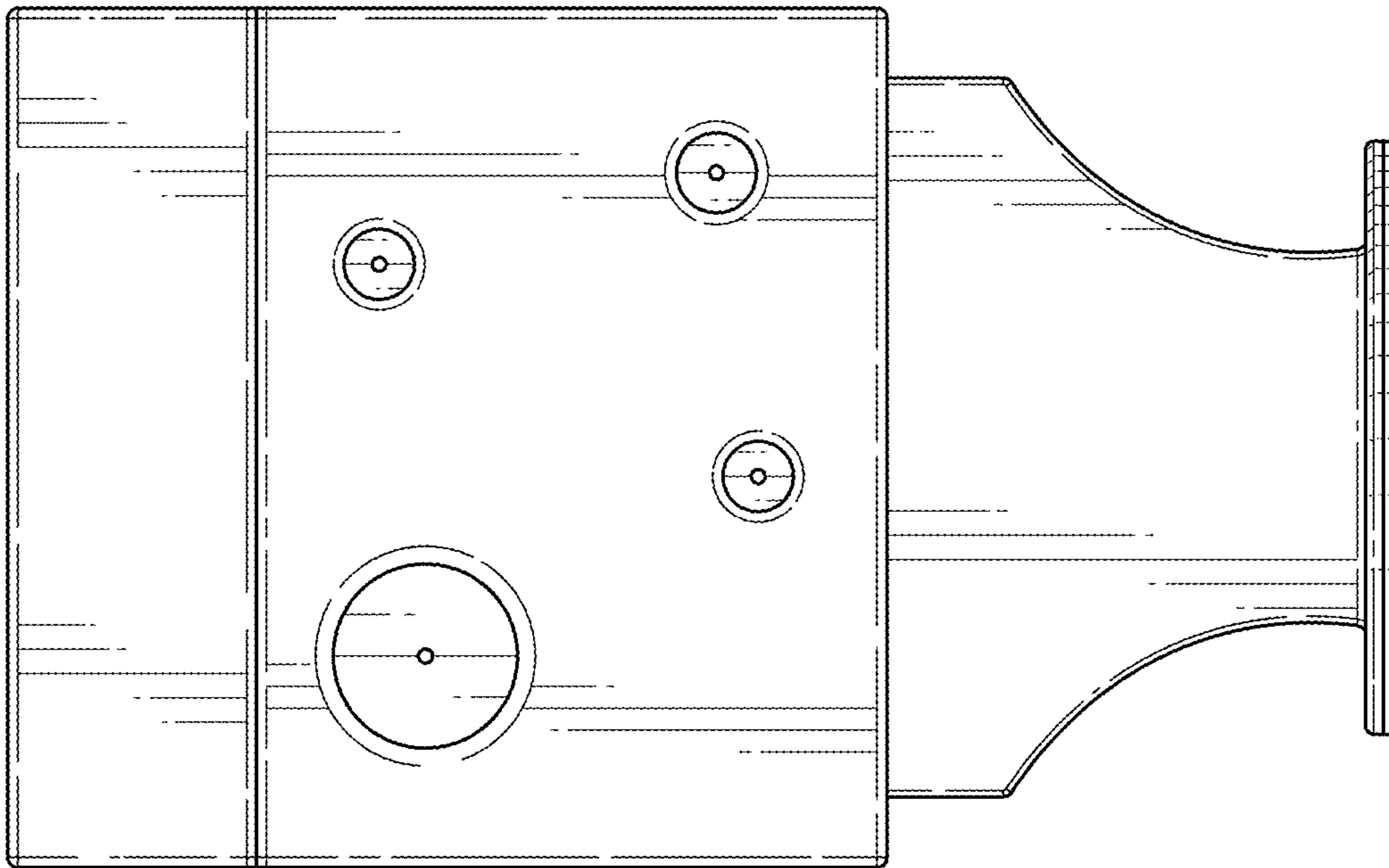


FIG. 5

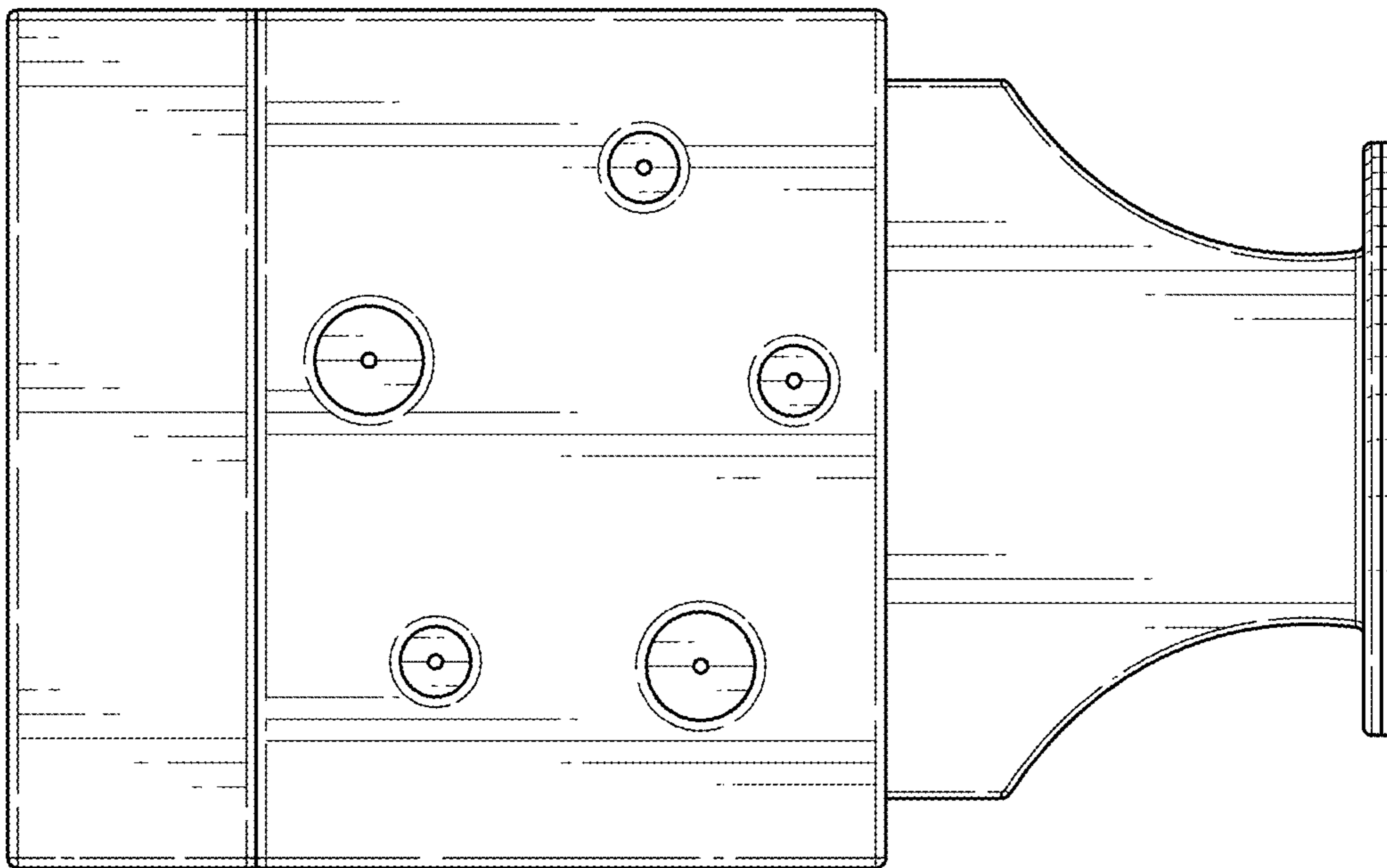


FIG. 4



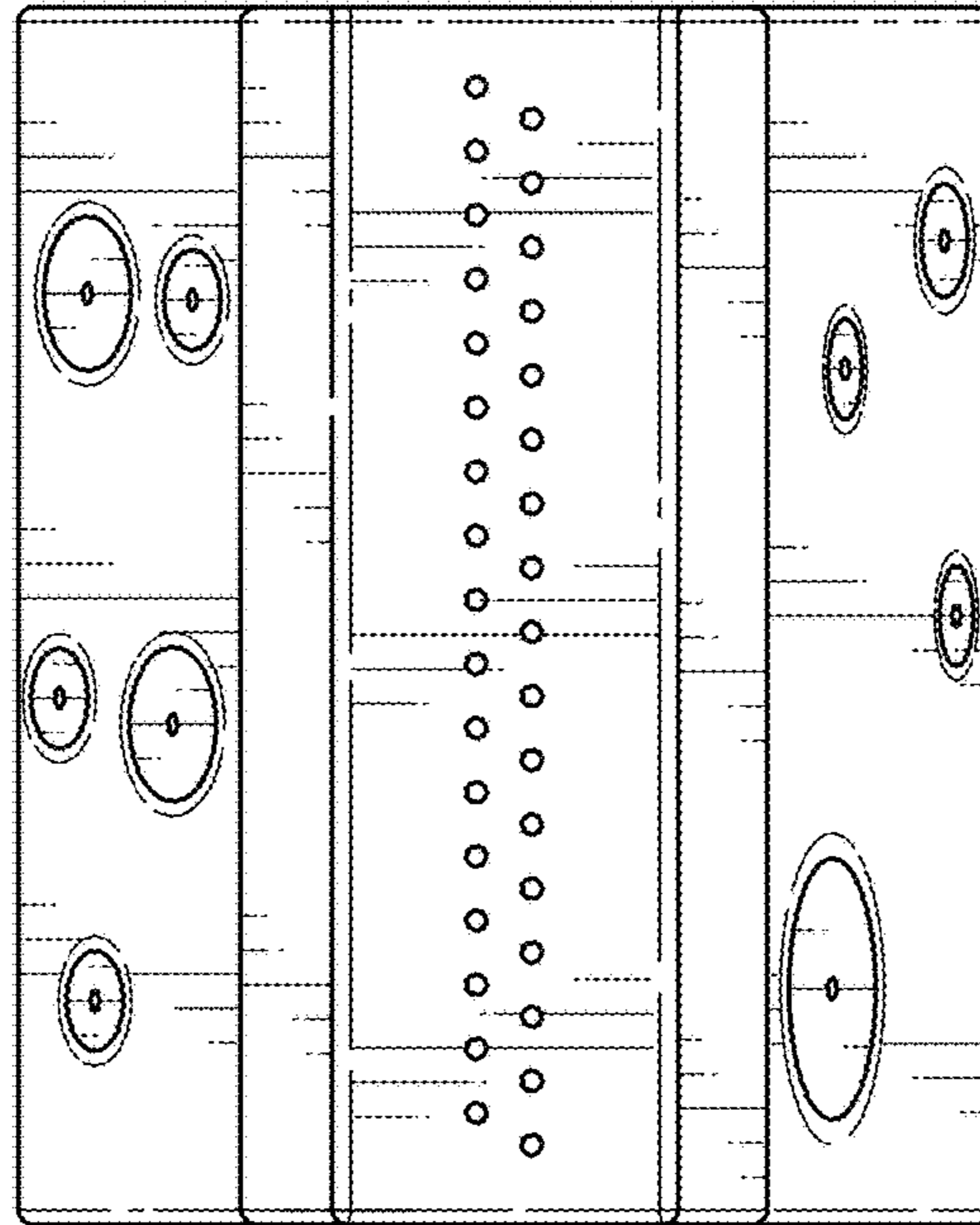


FIG. 6

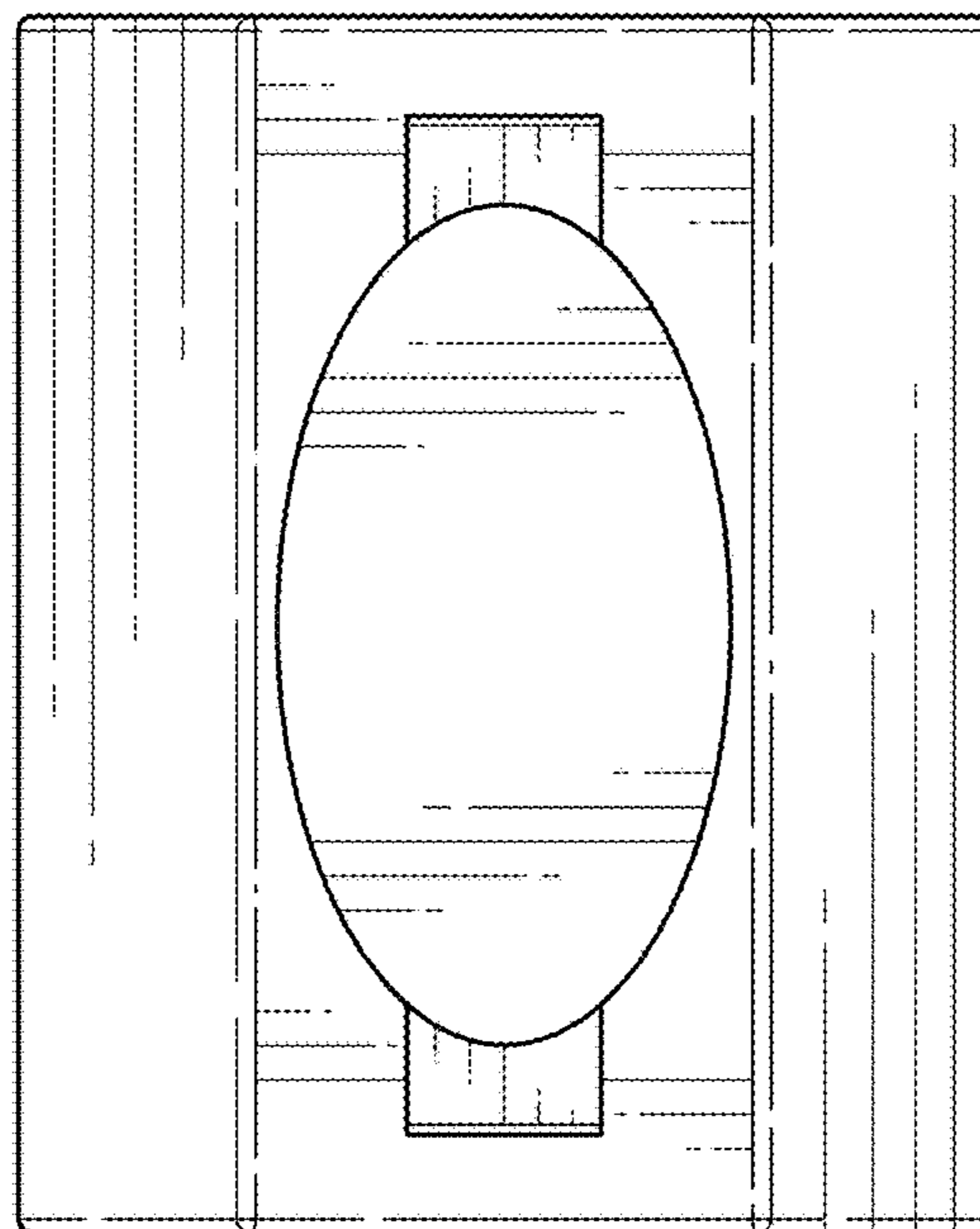


FIG. 7

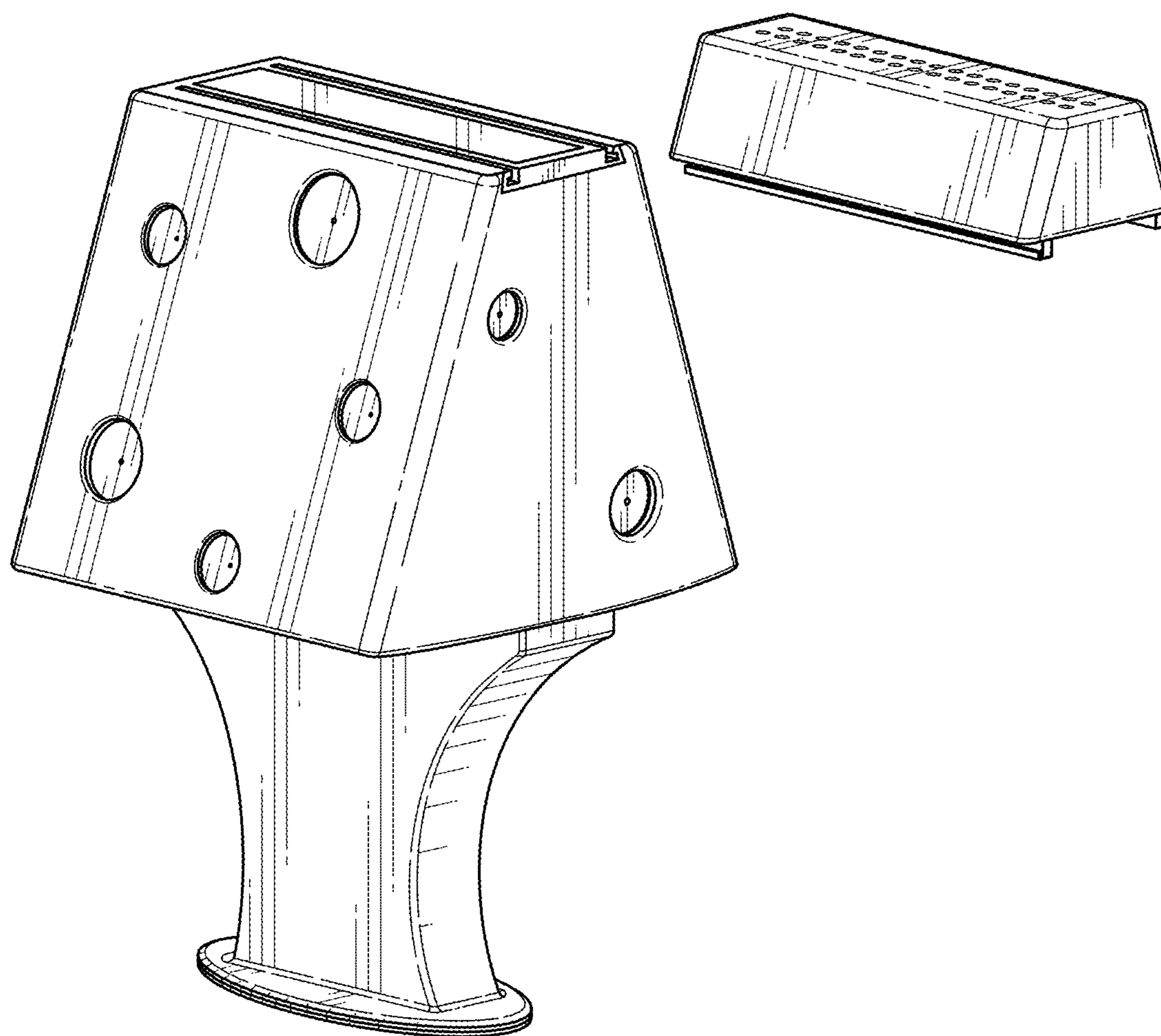


FIG. 8

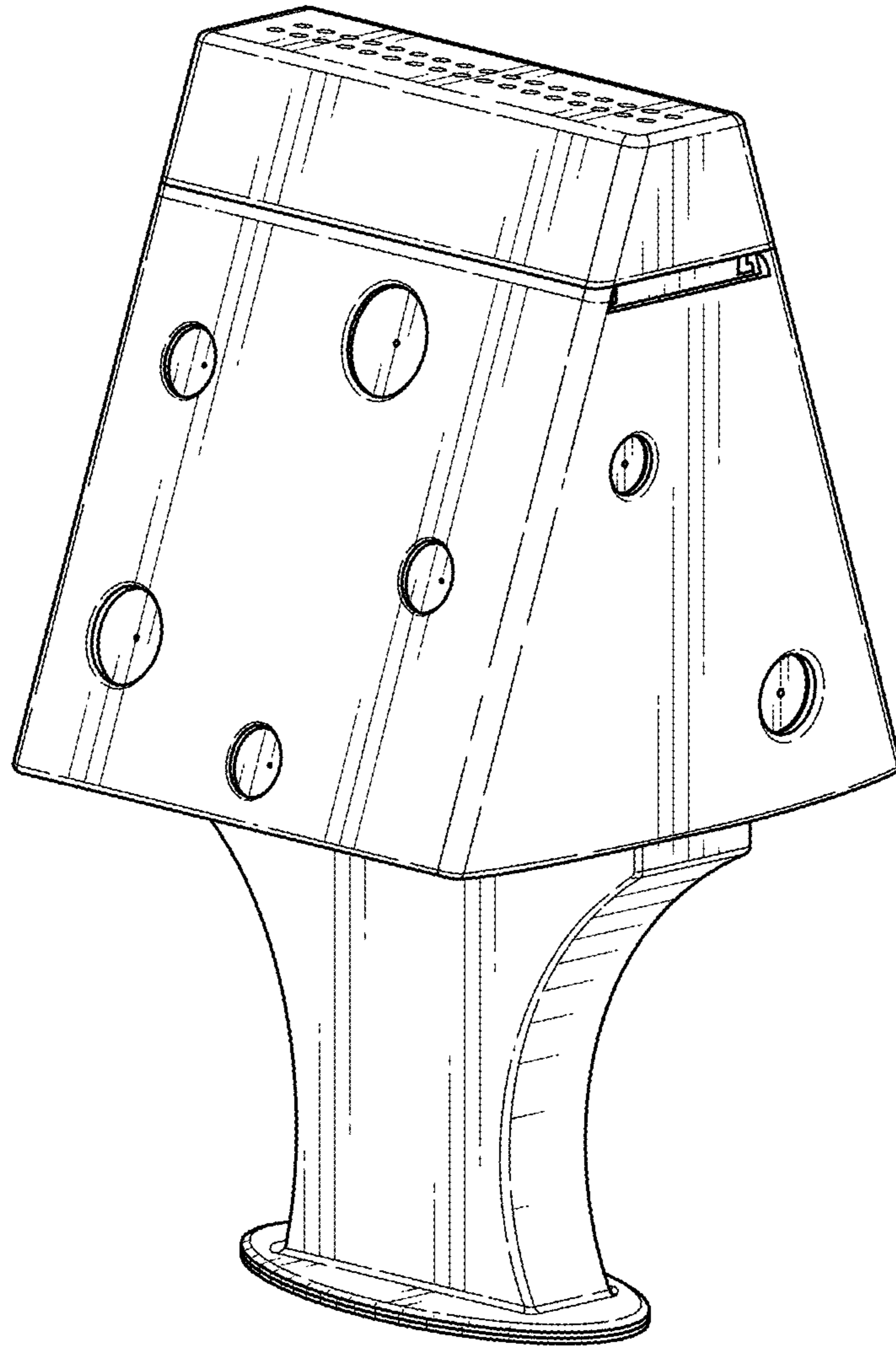


FIG. 9



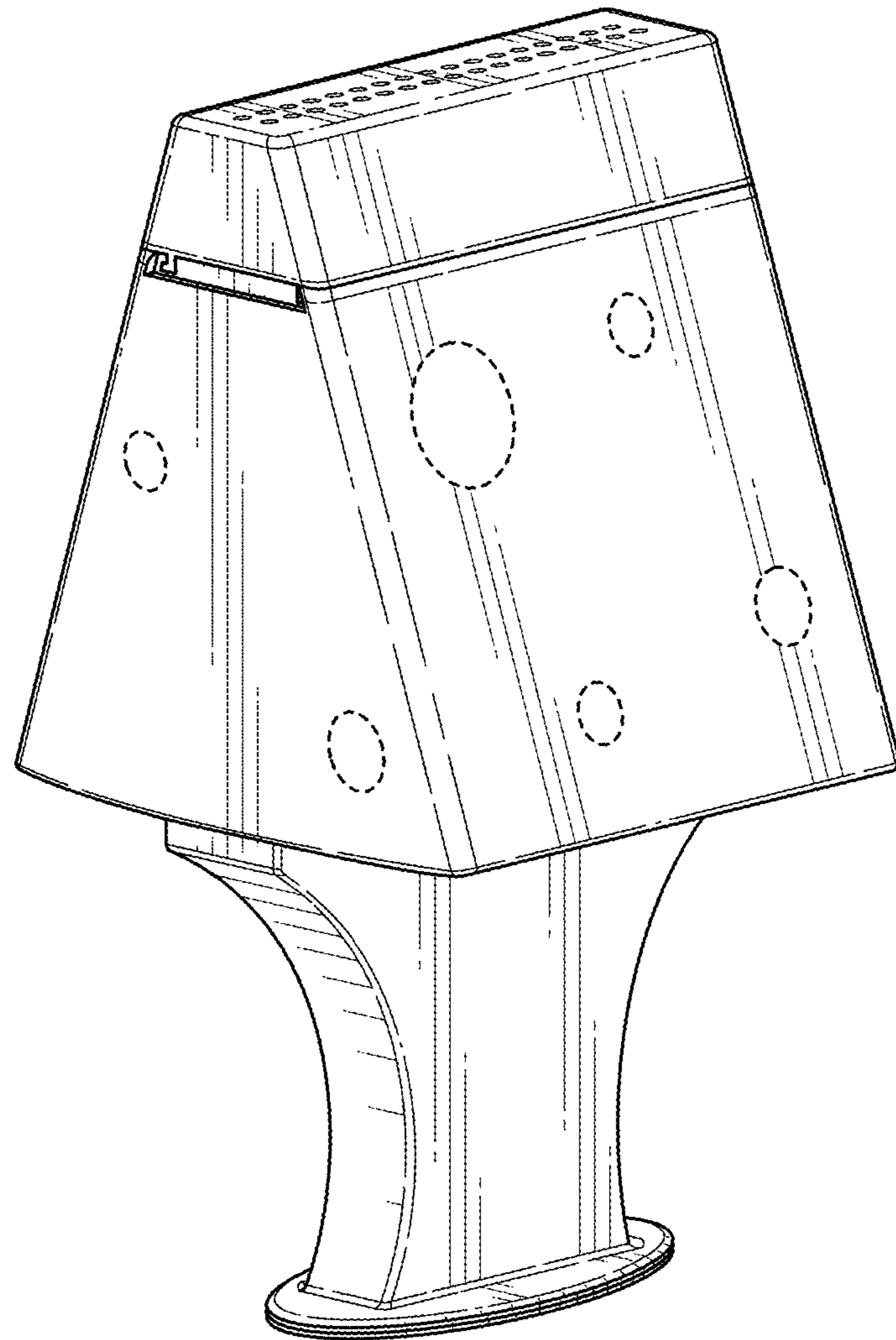


FIG. 10

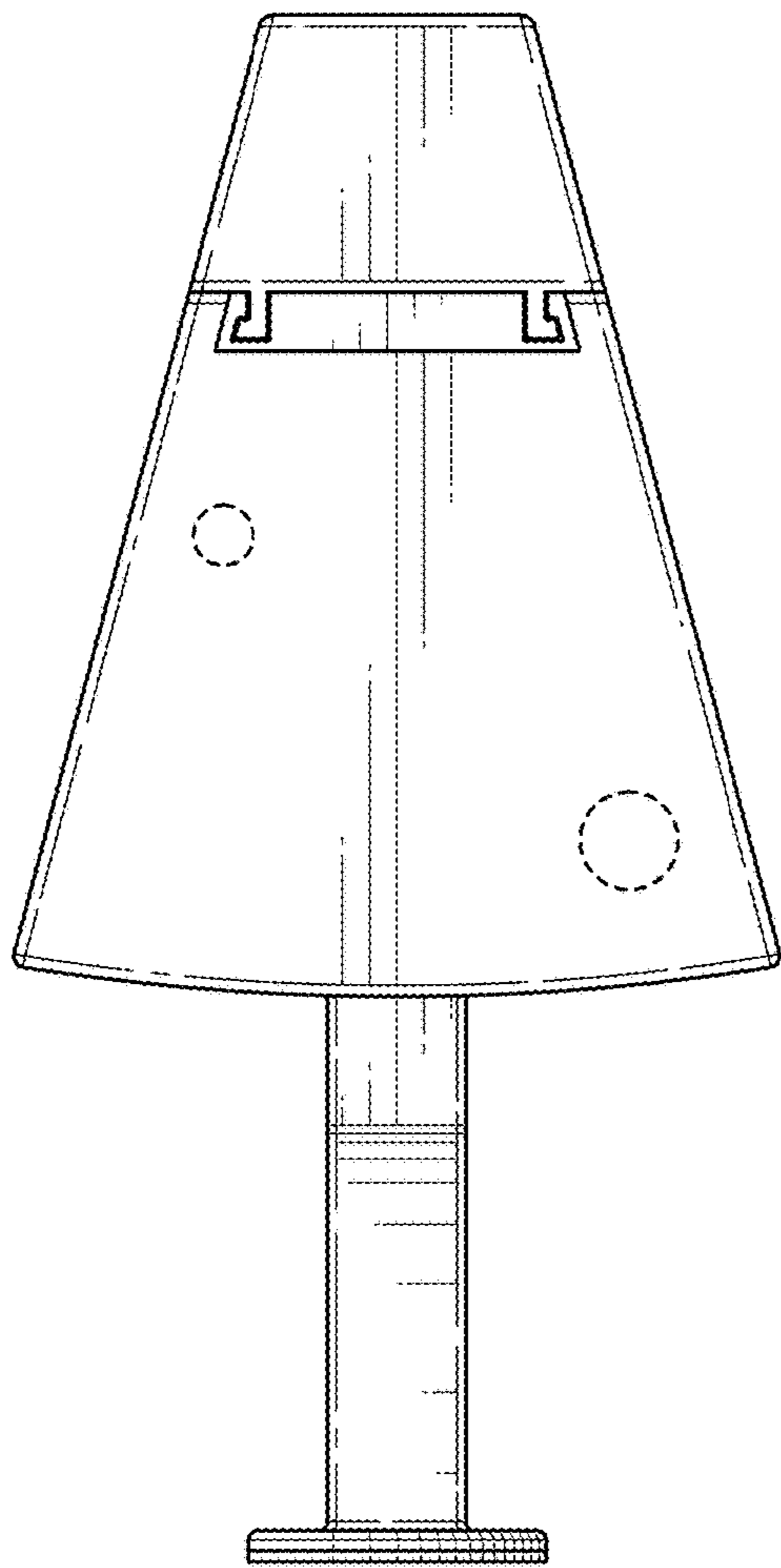


FIG. 11

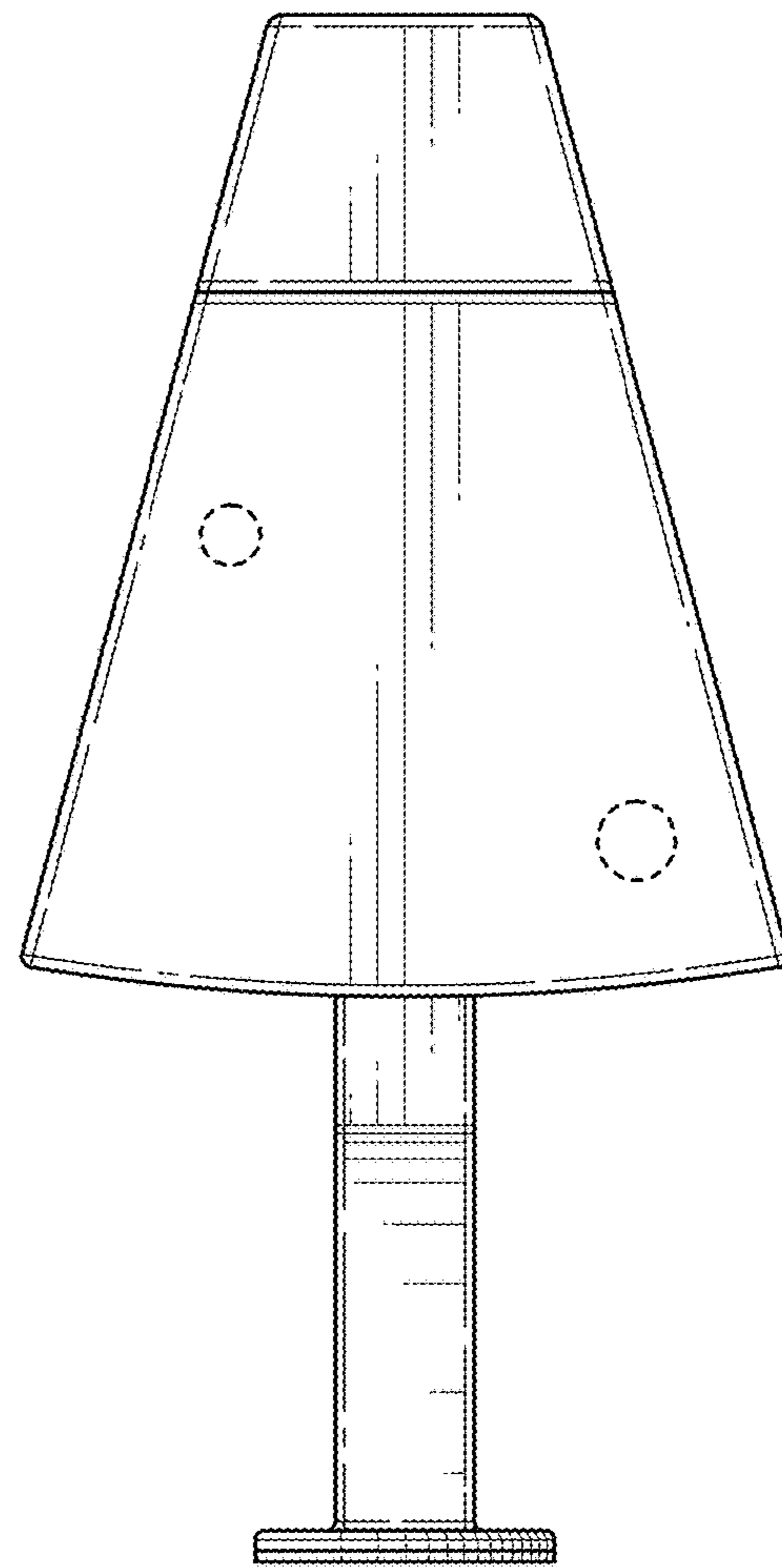


FIG. 12

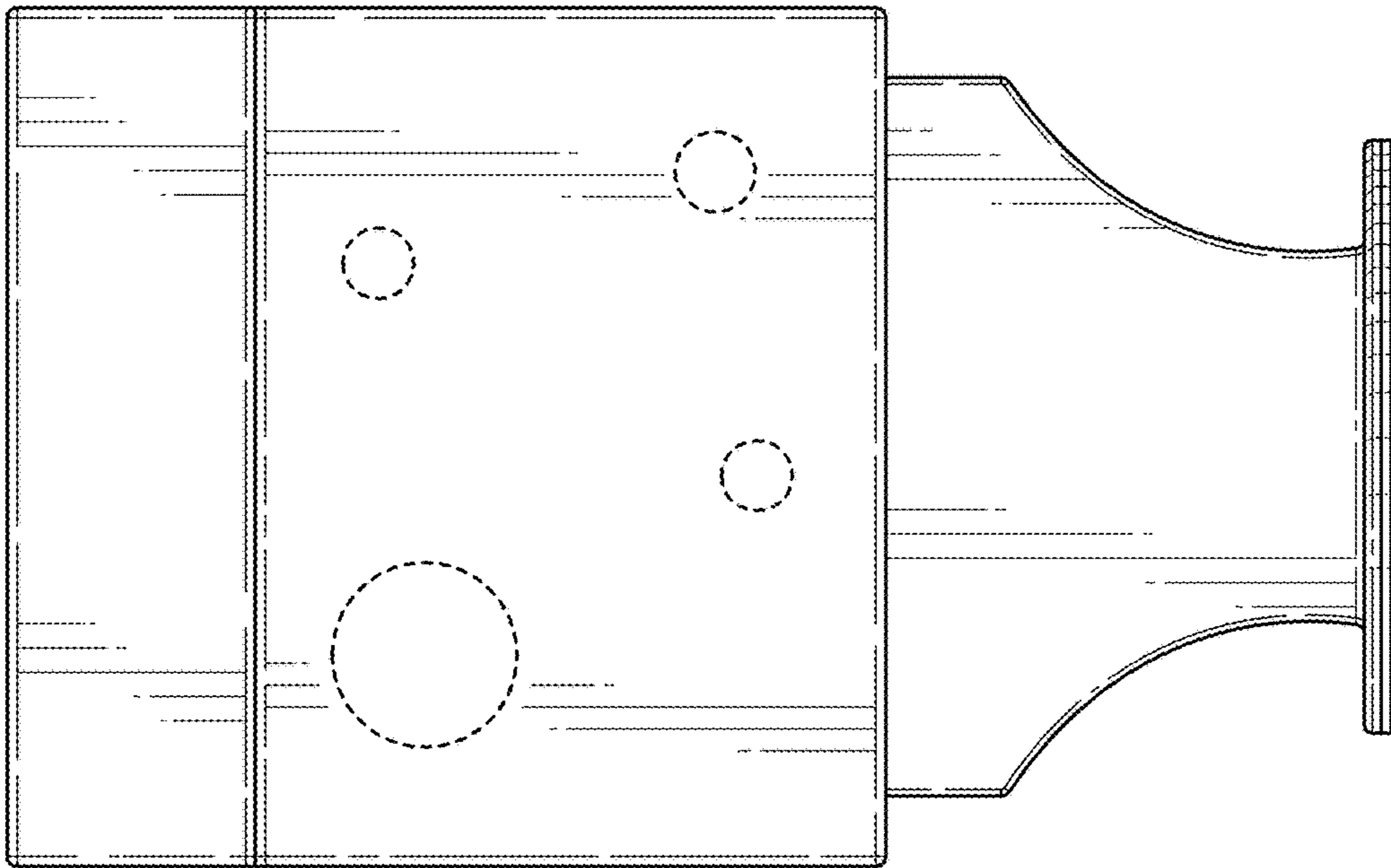


FIG. 14

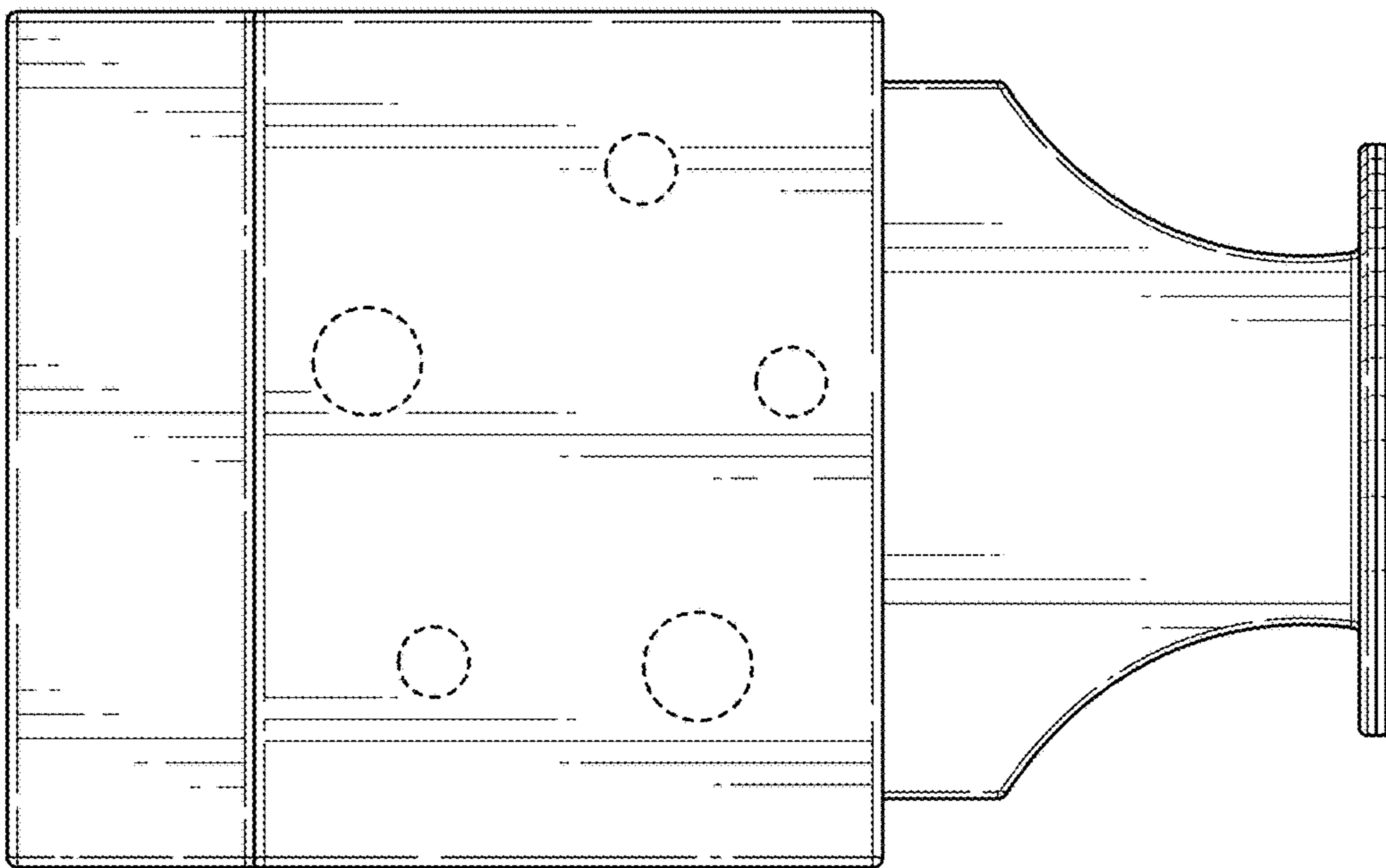


FIG. 13

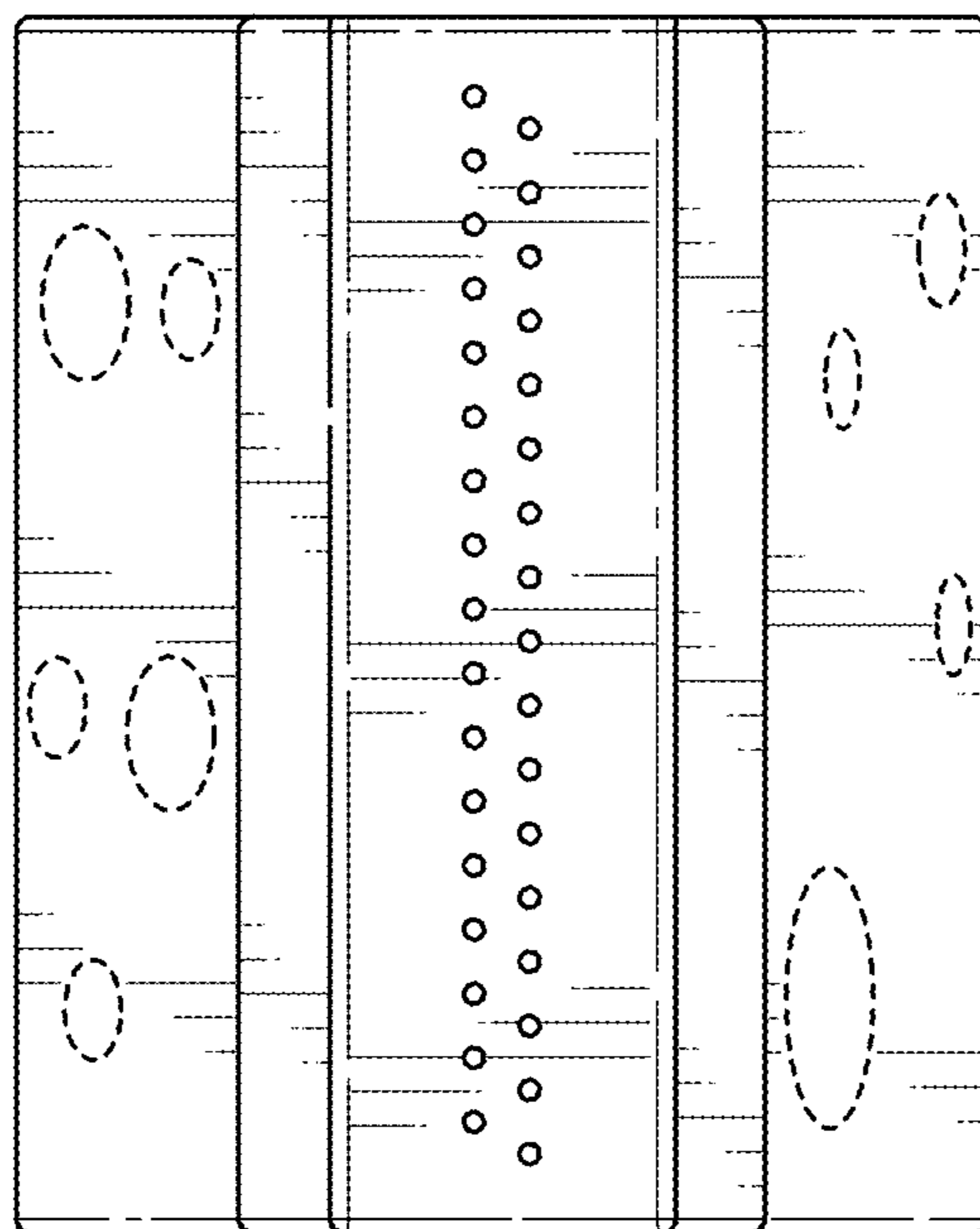


FIG. 15

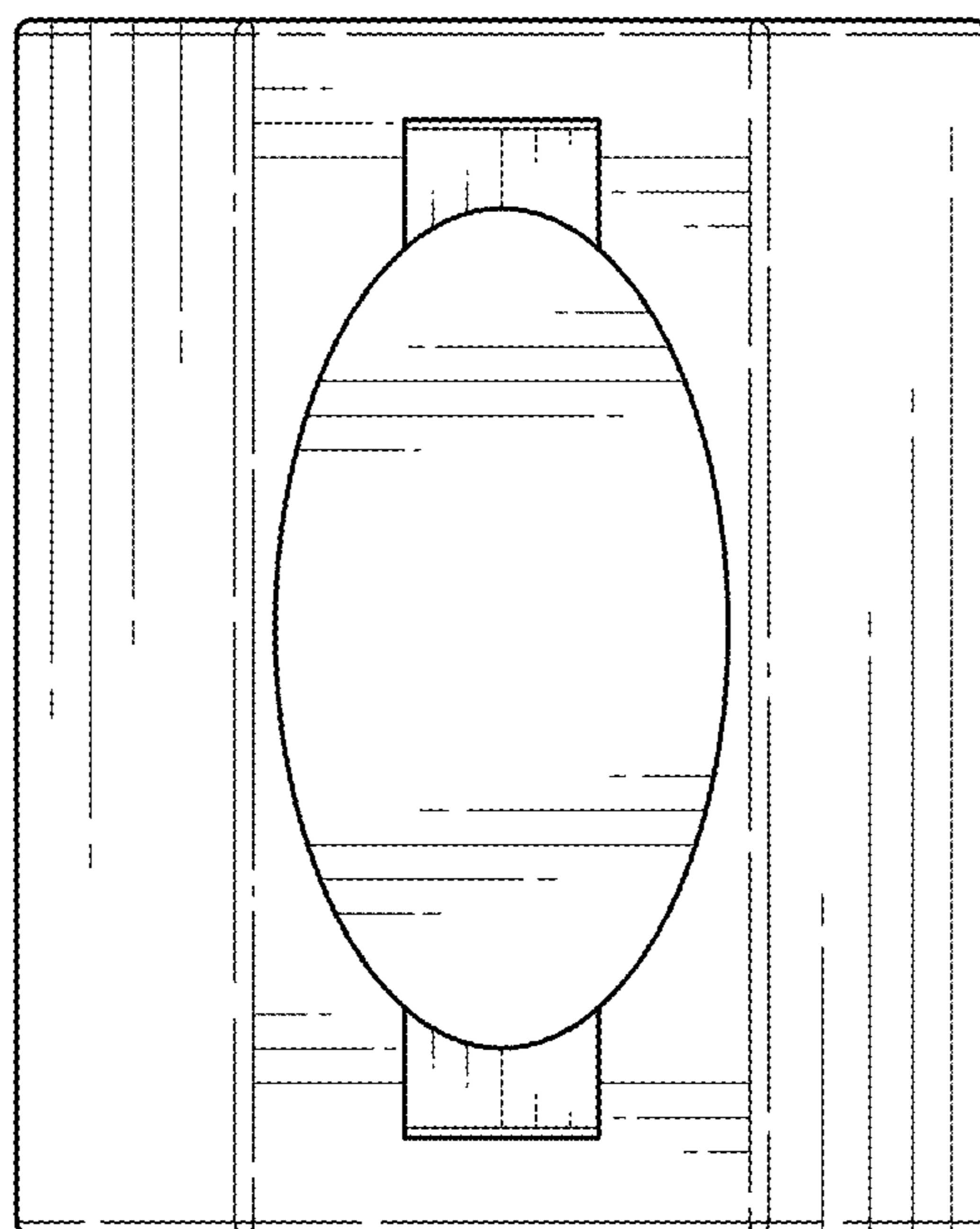


FIG. 16

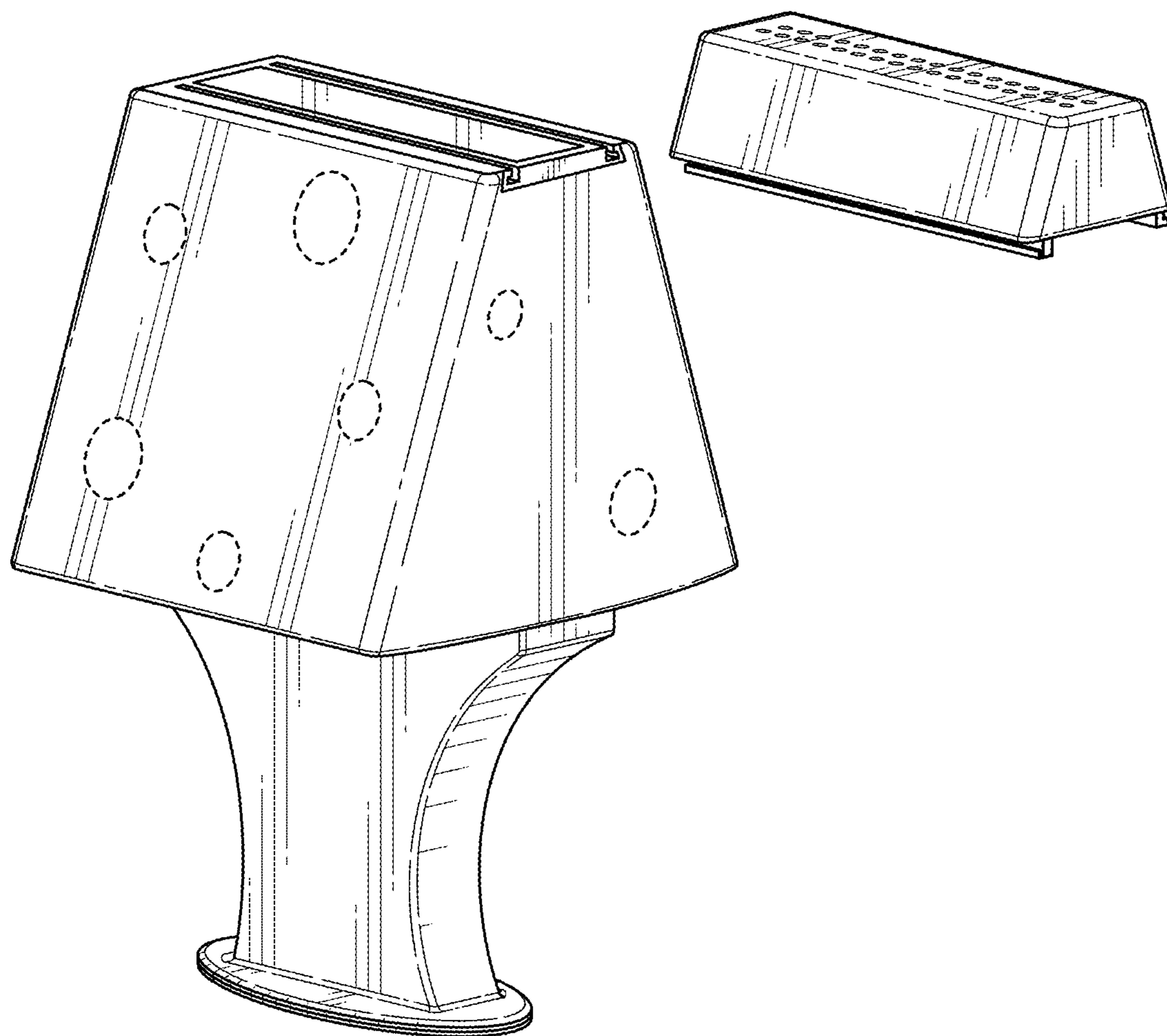


FIG. 17



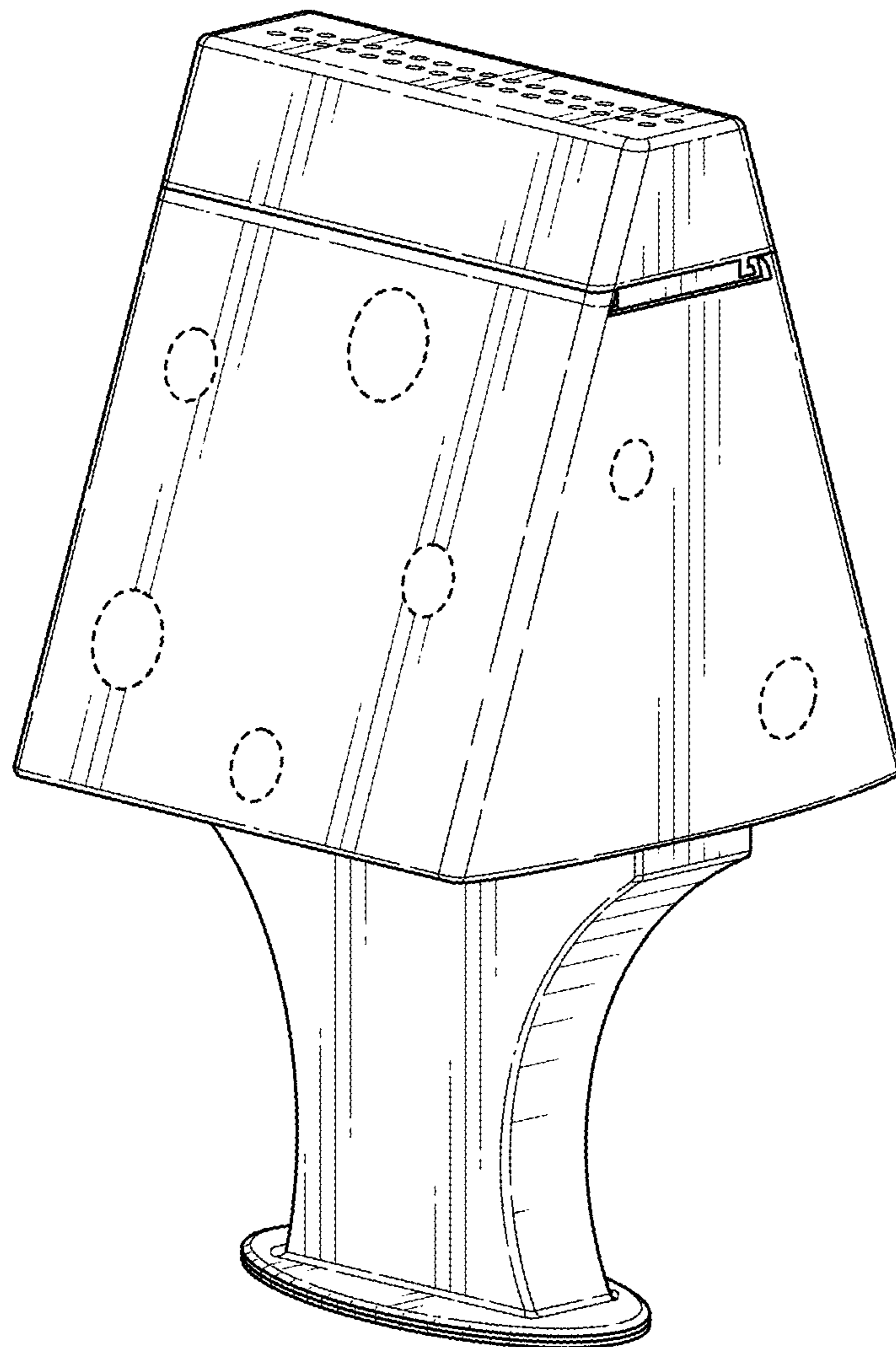


FIG. 18