

US00D818324S

(12) **United States Design Patent**
Rhodes

(10) **Patent No.:** **US D818,324 S**

(45) **Date of Patent:** **** May 22, 2018**

(54) **THERMALLY-INSULATED BEVERAGE CONTAINER**

(71) Applicant: **Steven L. Rhodes**, Jacksonville Beach, FL (US)

(72) Inventor: **Steven L. Rhodes**, Jacksonville Beach, FL (US)

(**) Term: **15 Years**

(21) Appl. No.: **29/588,674**

(22) Filed: **Dec. 22, 2016**

(51) **LOC (11) Cl.** **07-01**

(52) **U.S. Cl.**
USPC **D7/607**

(58) **Field of Classification Search**
USPC D7/603-608, 619.1-625, 396.2
CPC B65D 81/3886; B65D 81/3876; B65D 81/3879; B65D 81/3874; B65D 81/3881; B65D 81/3865; B65D 23/08; B65D 23/1616; B31D 5/0086; A47G 23/0306; A47G 23/0216; F17C 13/001; A61J 9/08; F25D 3/08; F25D 31/007; F25D 233/1804; A45C 11/20
See application file for complete search history.

(56) **References Cited**

U.S. PATENT DOCUMENTS

4,548,375 A * 10/1985 Moss A47G 23/0225
224/665
D282,234 S * 1/1986 Henderson D7/608

4,802,602 A * 2/1989 Evans B65D 81/3886
220/739
4,838,466 A * 6/1989 Holmstrom A45F 3/16
220/379
5,325,991 A * 7/1994 Williams A45F 5/02
215/12.1
6,286,798 B1 * 9/2001 Chun A47G 23/0216
206/218
7,021,825 B1 * 4/2006 Schultz A47D 13/06
224/438
D632,930 S * 2/2011 Chretien D7/607
2013/0075412 A1 * 3/2013 Schminke B65D 81/3876
220/739

* cited by examiner

Primary Examiner — Terry A Wallace

(57) **CLAIM**

I claim the ornamental design for a thermally-insulated beverage container, as shown and described.

DESCRIPTION

FIG. 1 is a front view of the thermally-insulated beverage container.

FIG. 2 is a back view of the claimed design.

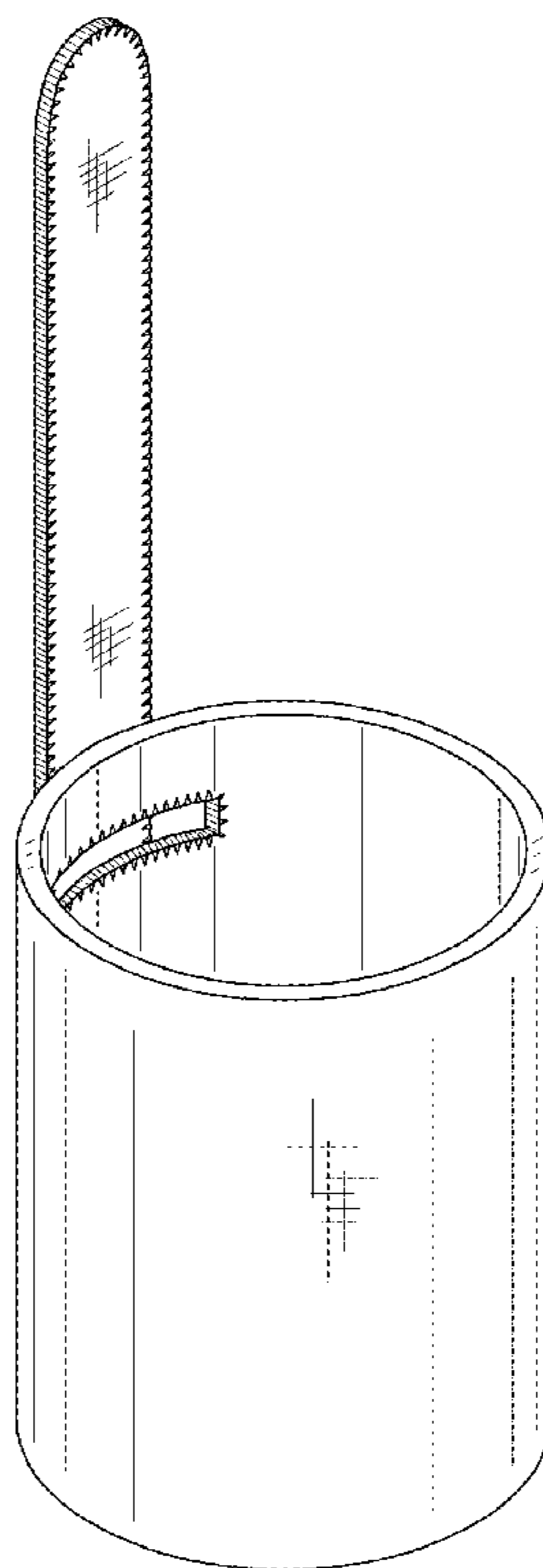
FIG. 3 is a left side view of the claimed design.

FIG. 4 is top view of the claimed design.

FIG. 5 is a bottom view of the claimed design; and,

FIG. 6 is a perspective view of the claimed design.

1 Claim, 5 Drawing Sheets



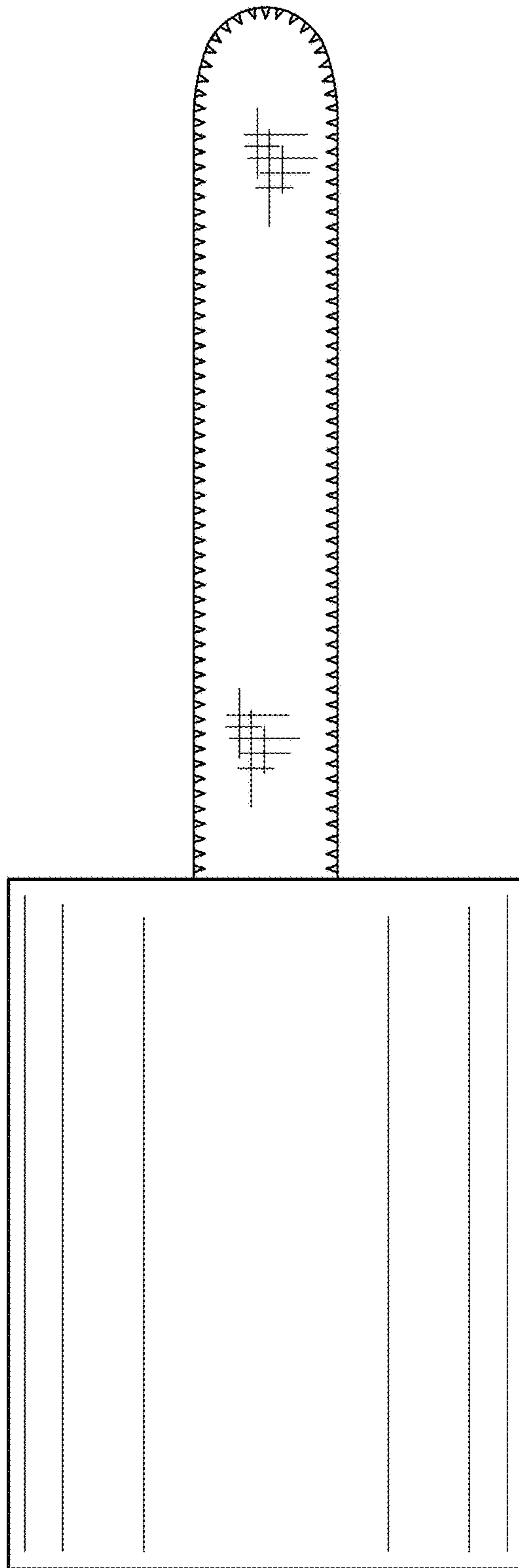


FIG. 1

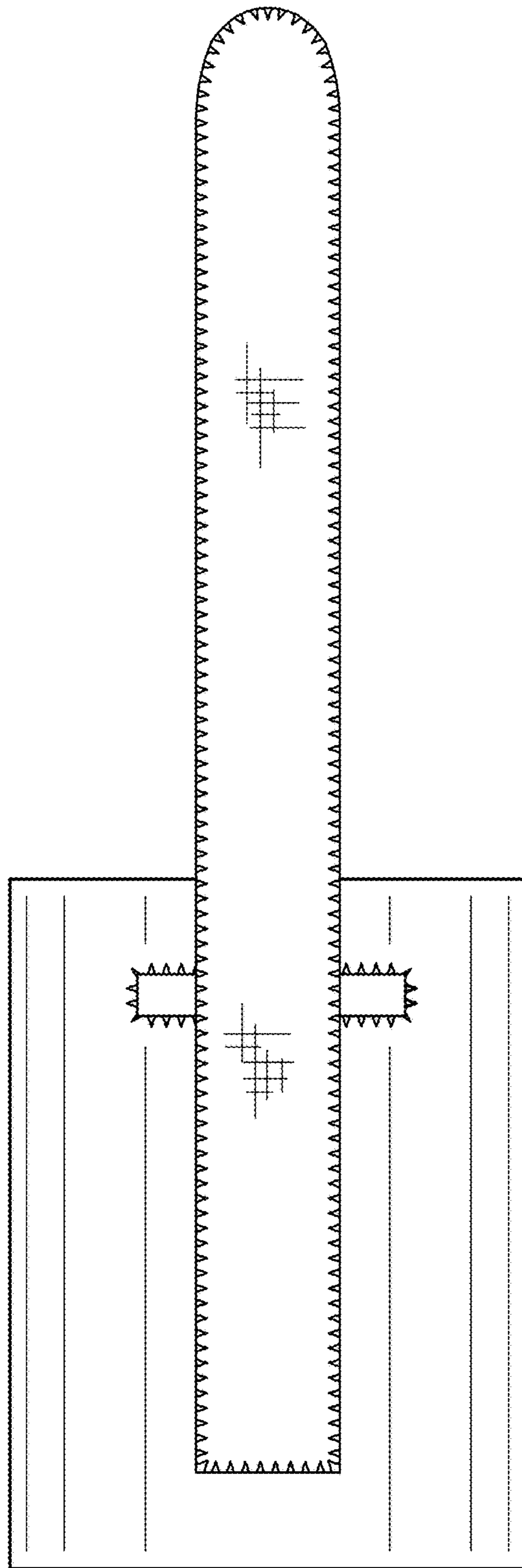


FIG. 2

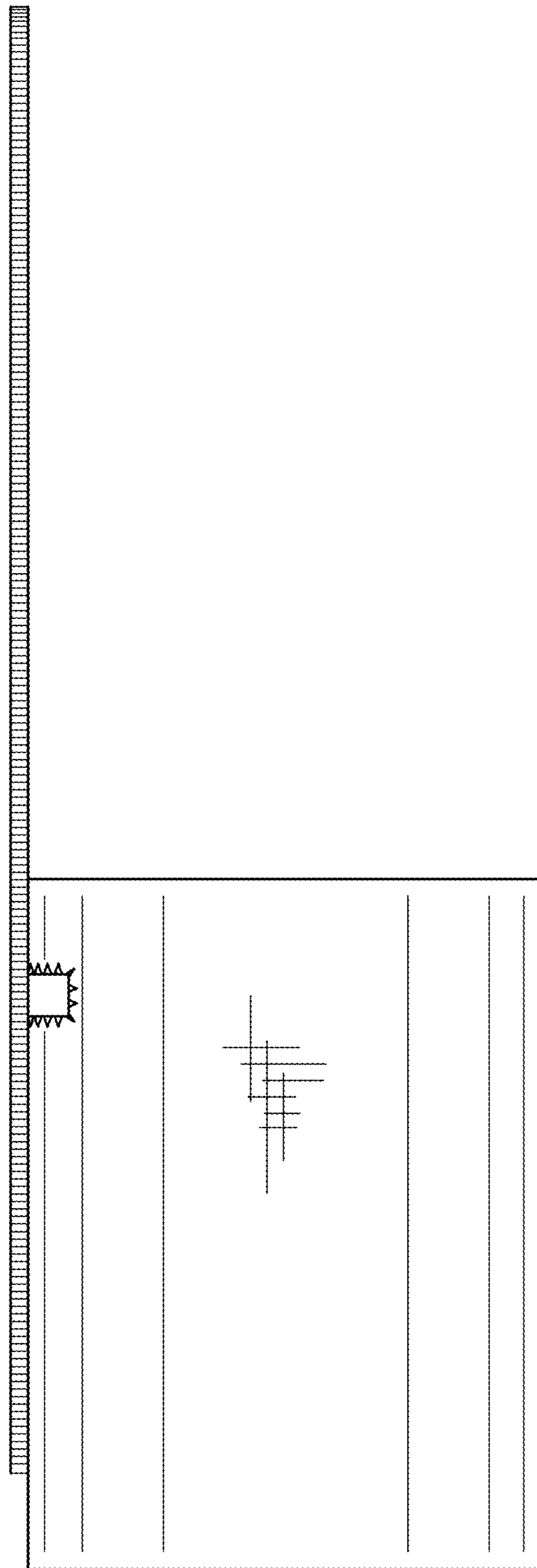


FIG. 3

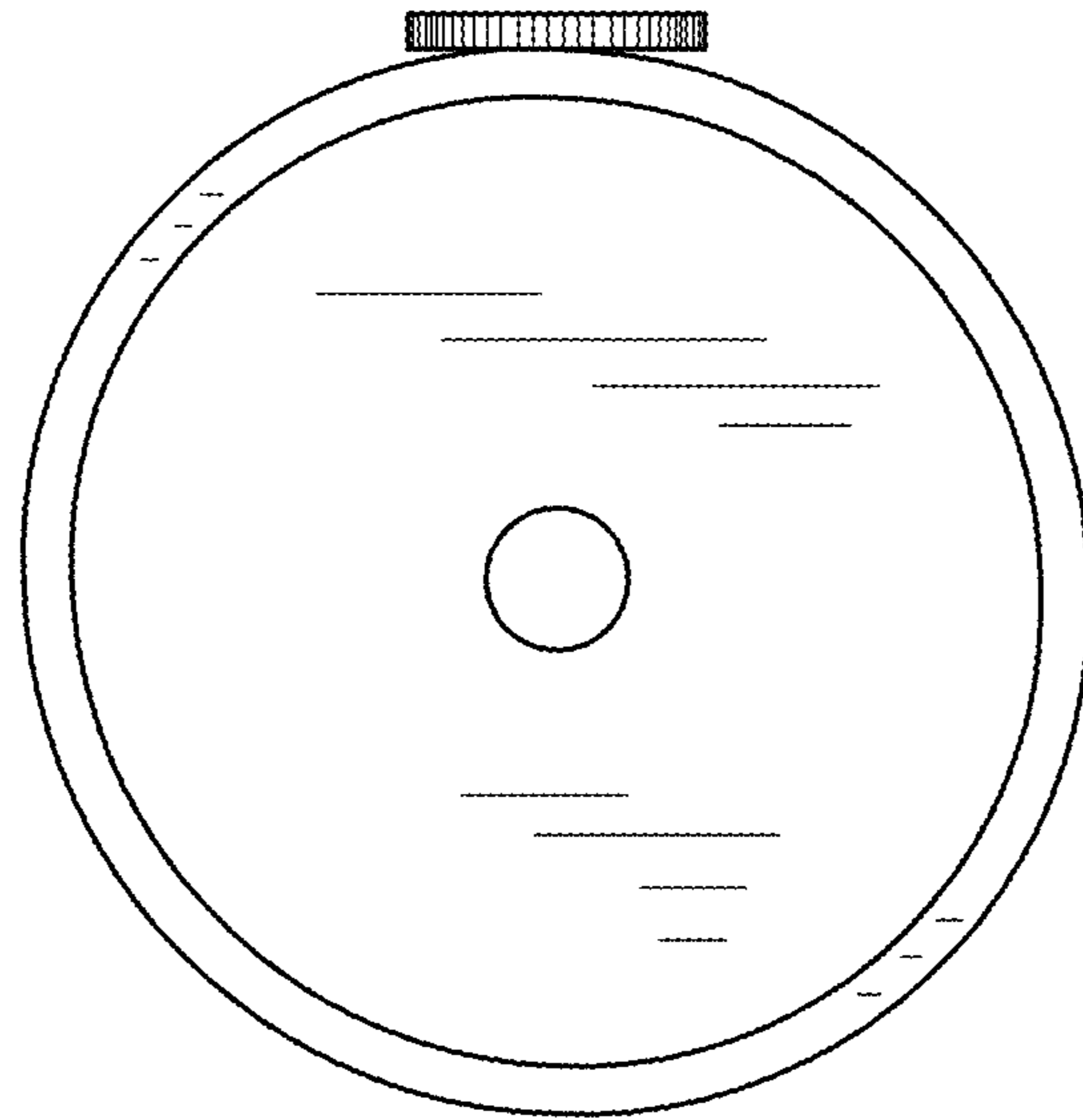


FIG. 4

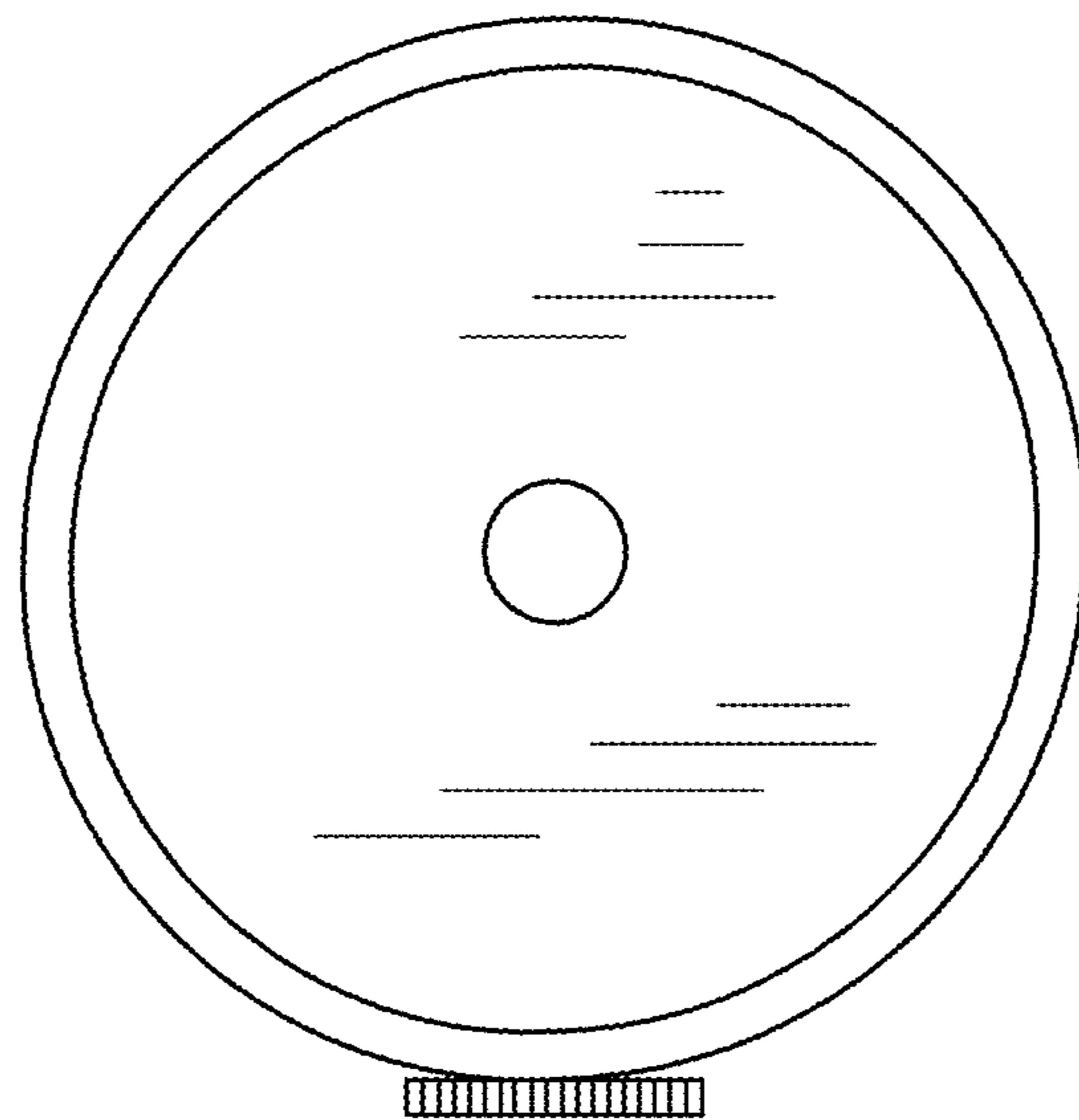


FIG. 5

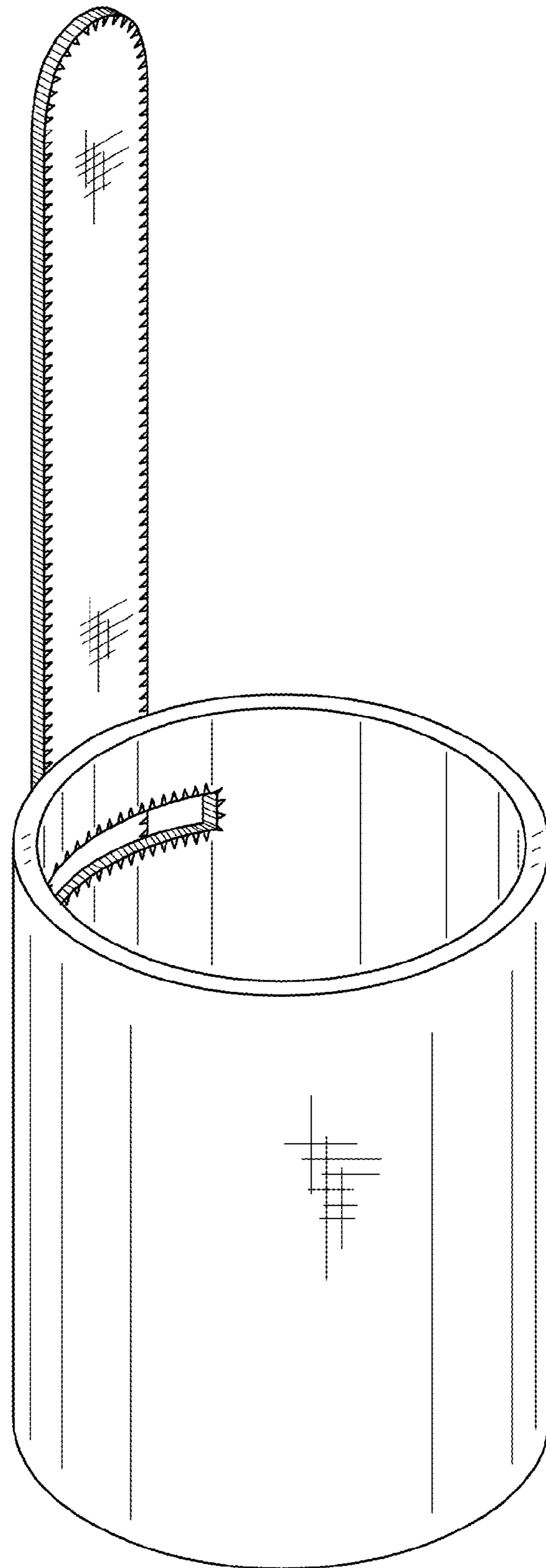


FIG. 6