



US00D818323S

(12) **United States Design Patent** (10) **Patent No.:** **US D818,323 S**
Carey et al. (45) **Date of Patent:** **** May 22, 2018**

- (54) **PLUG FOR A COOLER**
- (71) Applicant: **THE METAL WARE CORPORATION**, Two Rivers, WI (US)
- (72) Inventors: **Richard Carey**, Two Rivers, WI (US); **Ross Niemi**, Chicago, IL (US)
- (73) Assignee: **THE METAL WARE CORPORATION**, Two Rivers, WI (US)
- (**) Term: **15 Years**
- (21) Appl. No.: **29/564,085**
- (22) Filed: **May 10, 2016**

- D237,135 S 10/1975 Wiant et al.
D257,934 S 1/1981 Buss
D259,232 S 5/1981 Tarozzi
D266,822 S 11/1982 Seager
D270,604 S 9/1983 Zauft
D281,695 S 12/1985 Ryan, Jr.
D283,480 S 4/1986 Bailey
D283,966 S 5/1986 Carlson
D291,858 S 9/1987 Baker et al.
4,702,504 A 10/1987 Brothers
D305,397 S 1/1990 Balius

(Continued)

Primary Examiner — Terry A Wallace

(74) Attorney, Agent, or Firm — Seager, Tufte & Wickhem LLP

(57) **CLAIM**

The ornamental design for a plug for a cooler, as shown and described.

Related U.S. Application Data

- (63) Continuation-in-part of application No. 29/553,277, filed on Jan. 29, 2016.
- (51) **LOC (11) Cl.** **07-01**
- (52) **U.S. Cl.**
USPC **D7/605**
- (58) **Field of Classification Search**
USPC D7/605
CPC .. A45C 11/20; F25D 3/08; F25D 3/14; B65D 81/3823; B65D 81/3886
See application file for complete search history.

DESCRIPTION

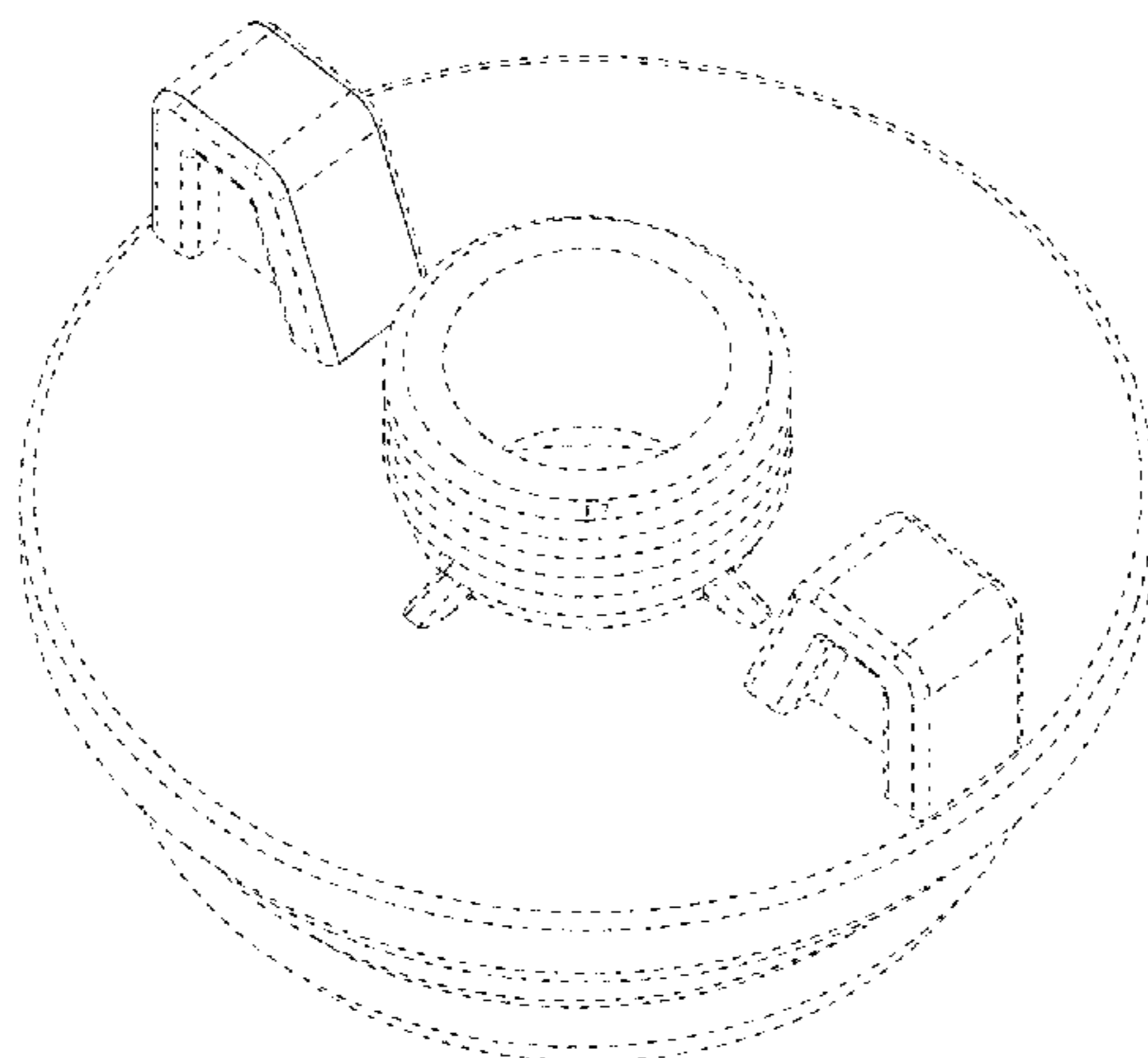
FIG. 1 is a top perspective view of an embodiment of a plug for a cooler;
FIG. 2 is a front side view of the plug for a cooler of FIG. 1;
FIG. 3 is a back side view of the plug for a cooler of FIG. 1;
FIG. 4 is a right side view of the plug for a cooler of FIG. 1;
FIG. 5 is a left side view of the plug for a cooler of FIG. 1;
FIG. 6 is a top side view of the plug for a cooler of FIG. 1;
and,
FIG. 7 is a bottom side view of the plug for a cooler of FIG. 1.

The portions illustrated in broken lines on the figures, if any, are for illustrative purposes only and form no part of the claimed design. Broken lines within a boundary of solid lines are illustrative of the curvature of the claimed design and form no part of the claimed design.

1 Claim, 7 Drawing Sheets

(56) **References Cited**
U.S. PATENT DOCUMENTS

- 1,483,953 A 2/1924 Rainey
D70,542 S 7/1926 Davis et al.
1,699,313 A 1/1929 Schlaich
2,960,216 A 11/1960 Brady
D210,795 S 4/1968 Birger et al.
3,782,765 A 1/1974 Wallyn
D232,798 S 9/1974 Roche



(56)

References Cited

U.S. PATENT DOCUMENTS

D307,998 S	5/1990	Costello et al.	D475,248 S	6/2003	Cantor et al.
D322,198 S	12/1991	Dringenburg	D486,457 S	2/2004	Leba et al.
D325,323 S	4/1992	Kahl	D494,021 S	8/2004	Huthmaker
D325,324 S	4/1992	Kahl	D511,247 S	11/2005	Tsuchiya
D325,853 S	5/1992	Kahl	D511,624 S	11/2005	Rosine et al.
D328,221 S	7/1992	Piccarillo	D521,810 S	5/2006	Estes
D328,689 S	8/1992	Riskowski	D528,368 S	9/2006	Maldonado
D330,329 S	10/1992	Brightbill	D552,426 S	10/2007	Jones et al.
D333,775 S	3/1993	Krape	D560,102 S	1/2008	Sumter
D334,868 S	4/1993	Lau Woon	D563,731 S	3/2008	Thurston
D340,167 S	10/1993	Kahl	D566,479 S	4/2008	Kabalin
D340,620 S	10/1993	Peters	D575,059 S	8/2008	Cappiello et al.
D349,007 S	7/1994	Costello	D587,972 S	3/2009	Dorisca et al.
D351,318 S	10/1994	Wedi	7,533,782 B2	5/2009	Parker et al.
D352,208 S	11/1994	Brookshire	7,540,364 B2	6/2009	Sanderson
D353,304 S	12/1994	Friedrich	D604,994 S	12/2009	Greenlees et al.
D354,419 S	1/1995	Kahl et al.	D613,109 S	4/2010	Sanchez et al.
D366,599 S	1/1996	Brown et al.	D613,560 S	4/2010	Robichaud et al.
D369,722 S	5/1996	Lopez, Jr. et al.	7,722,204 B1	5/2010	Sandberg
D370,159 S	5/1996	Fenton et al.	D634,982 S	3/2011	Melchert et al.
D376,068 S	12/1996	Coy	D637,459 S	5/2011	Giese
5,607,195 A	3/1997	Antonucci	D640,102 S	6/2011	Hawkins
D380,369 S	7/1997	Antonucci	D645,248 S	9/2011	Osiecki et al.
D386,649 S	11/1997	Arnfelt	D646,528 S	10/2011	Stallman et al.
5,683,097 A	11/1997	Fenton et al.	D651,860 S	1/2012	Nie
5,735,428 A	4/1998	Chern	D660,885 S	5/2012	Crawford
5,738,238 A	4/1998	Yang	8,210,702 B1	7/2012	Sandberg
5,742,990 A	4/1998	Antonucci	D694,070 S	11/2013	Torres
D394,550 S	5/1998	Tanji	D712,720 S	9/2014	Seiders
D396,779 S	8/1998	Moffett, III et al.	D712,721 S	9/2014	Seiders
D397,585 S	9/1998	Rausch et al.	D712,722 S	9/2014	Seiders
D398,816 S	9/1998	Koutsouflakis	D712,723 S	9/2014	Seiders
D407,609 S	4/1999	Rausch	D714,125 S	9/2014	Seiders
D415,393 S	10/1999	Kei	8,910,819 B2	12/2014	Seiders
D415,658 S	10/1999	Frehse	9,187,232 B2	11/2015	Seiders
D421,552 S	3/2000	Frehse	D747,950 S	1/2016	Jacobsen et al.
D423,294 S	4/2000	Klein et al.	D747,951 S	1/2016	Jacobsen et al.
D429,606 S	8/2000	Israel et al.	D748,452 S	2/2016	Jacobsen et al.
D437,736 S	2/2001	Moffett, III et al.	D750,953 S	3/2016	Jacobsen et al.
D439,406 S	3/2001	Zimmerman	2008/0025544 A1	1/2008	Maldonado
D439,913 S	4/2001	Jobst	2008/0110892 A1	5/2008	House
D454,292 S	3/2002	Plummer et al.	2009/0139245 A1	6/2009	Blackway et al.
6,398,272 B1	6/2002	Plummer et al.	2011/0203297 A1	8/2011	Oberweis
D467,470 S	12/2002	Cantor et al.	2012/0132657 A1	5/2012	Seiders
D467,770 S	12/2002	Blalock	2014/0252010 A1 *	9/2014	Miller F25D 17/047 220/592.2

* cited by examiner

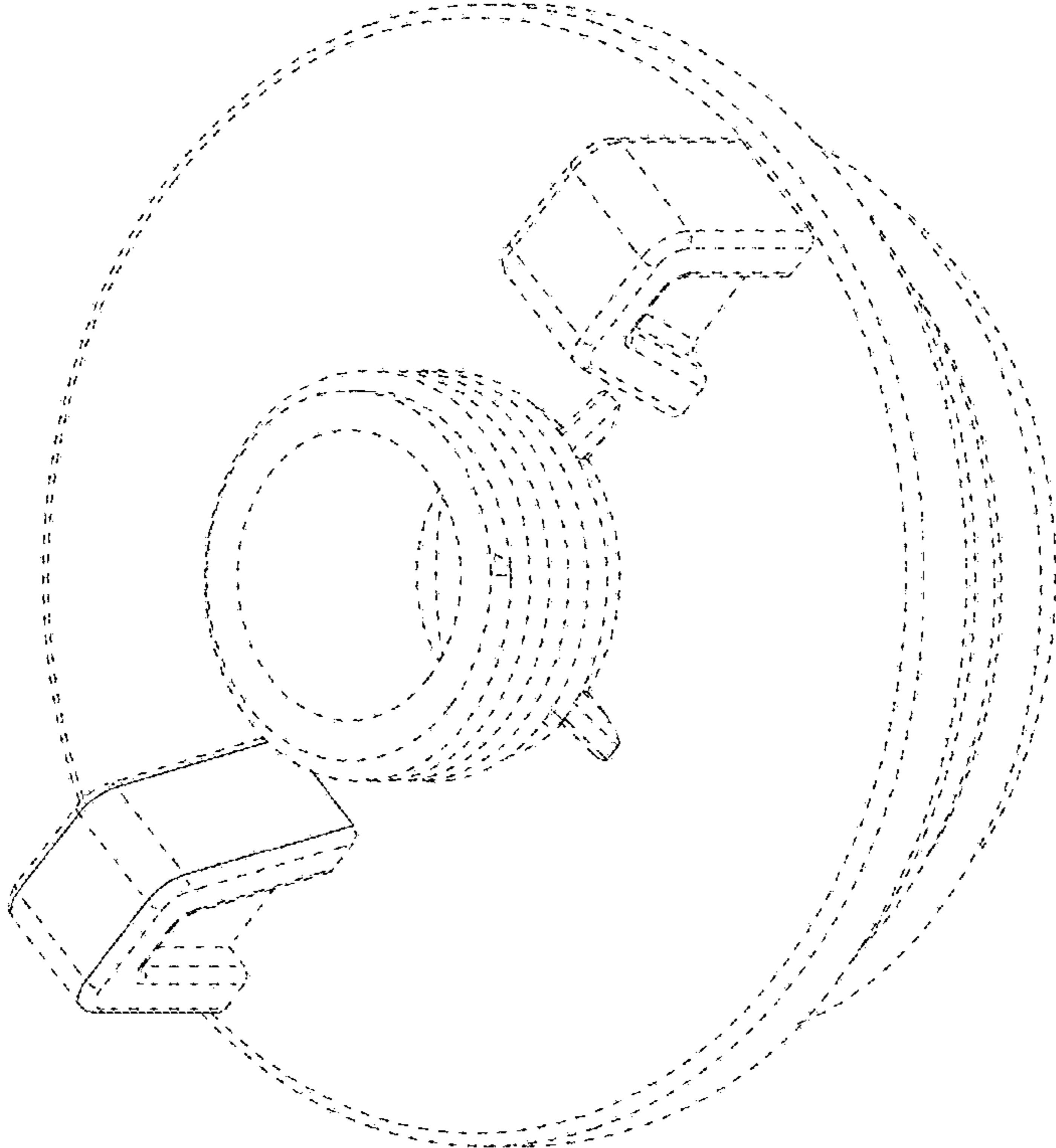


Figure 1

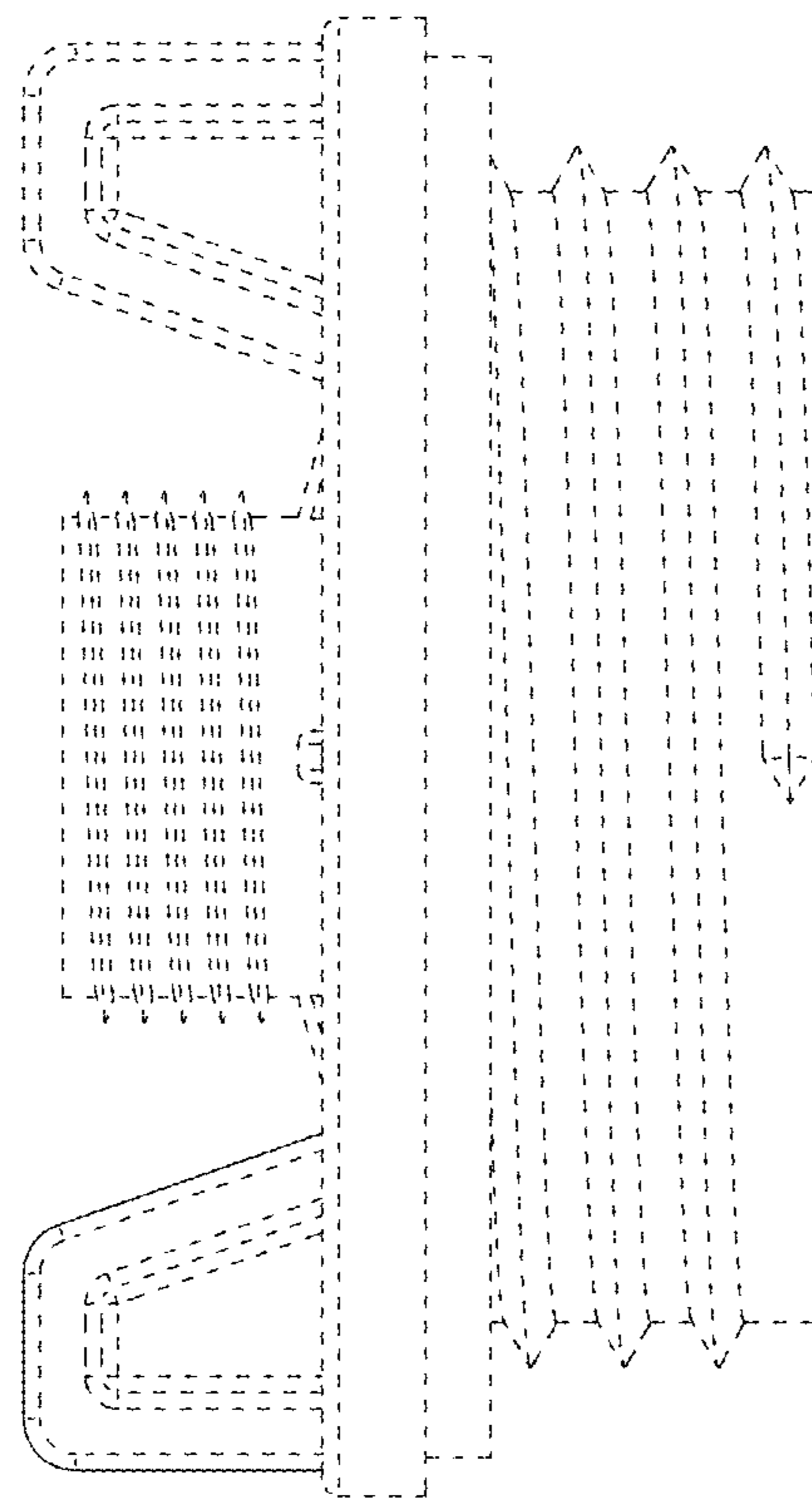


Figure 2

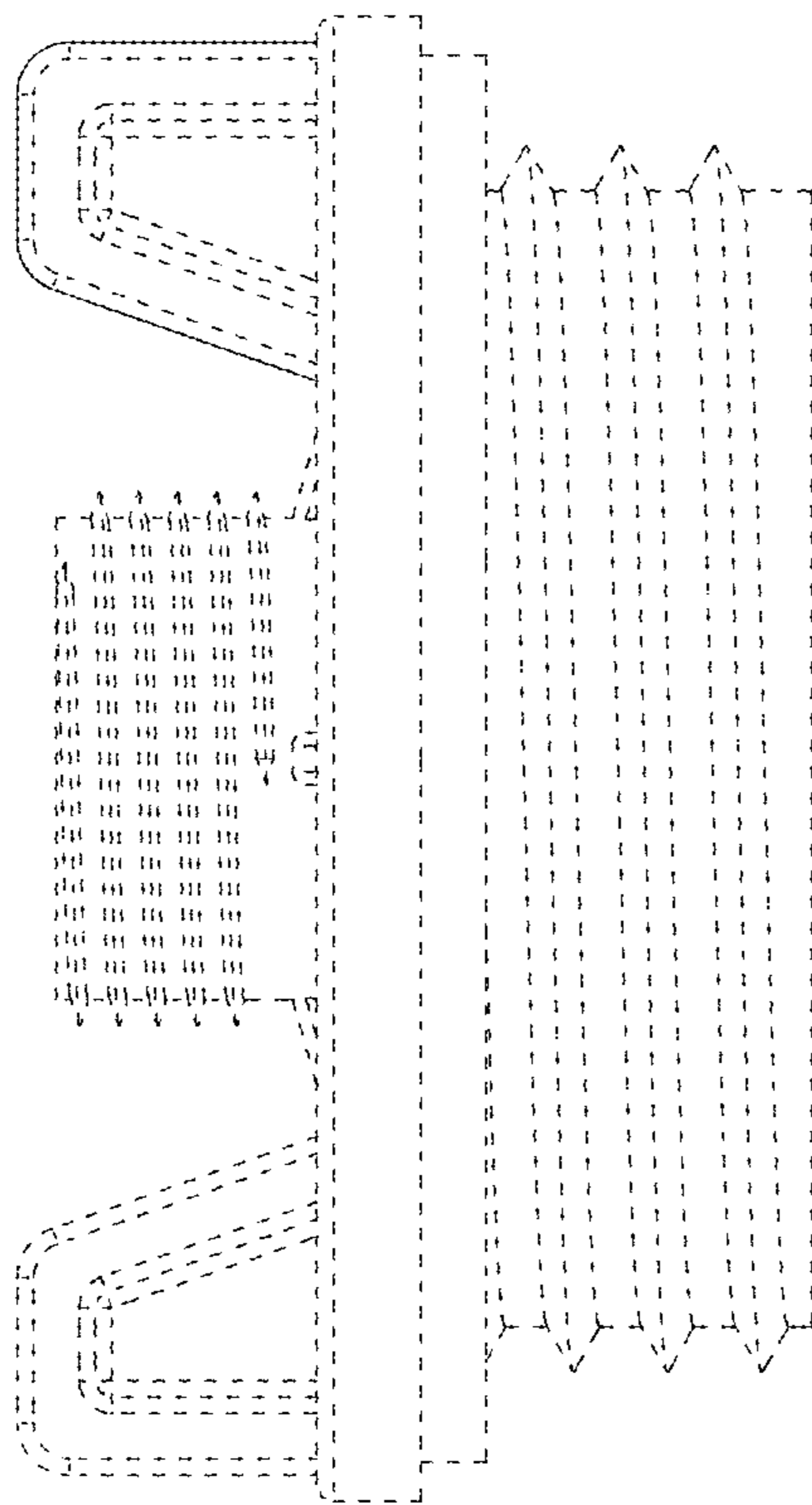


Figure 3

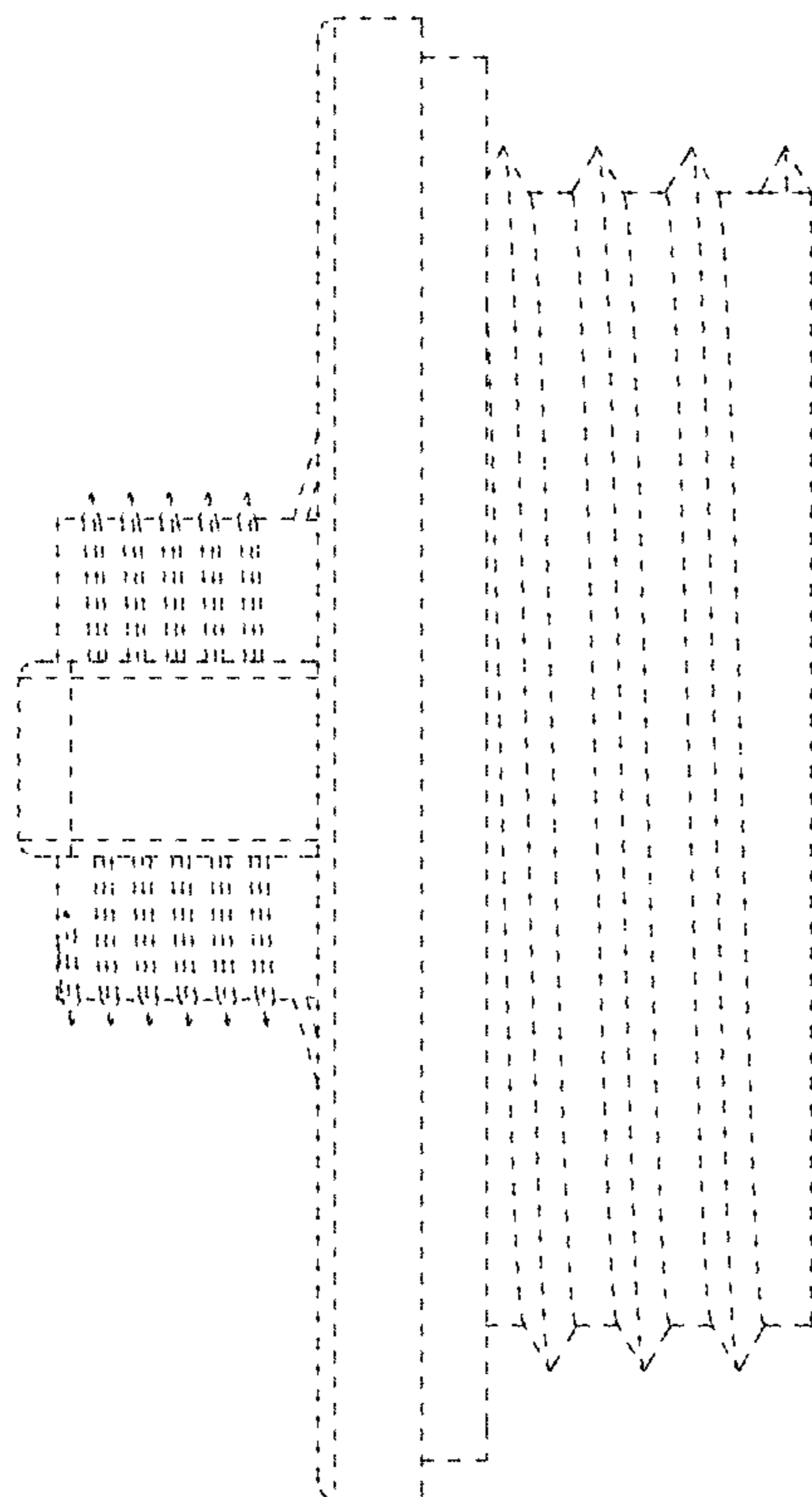


Figure 4

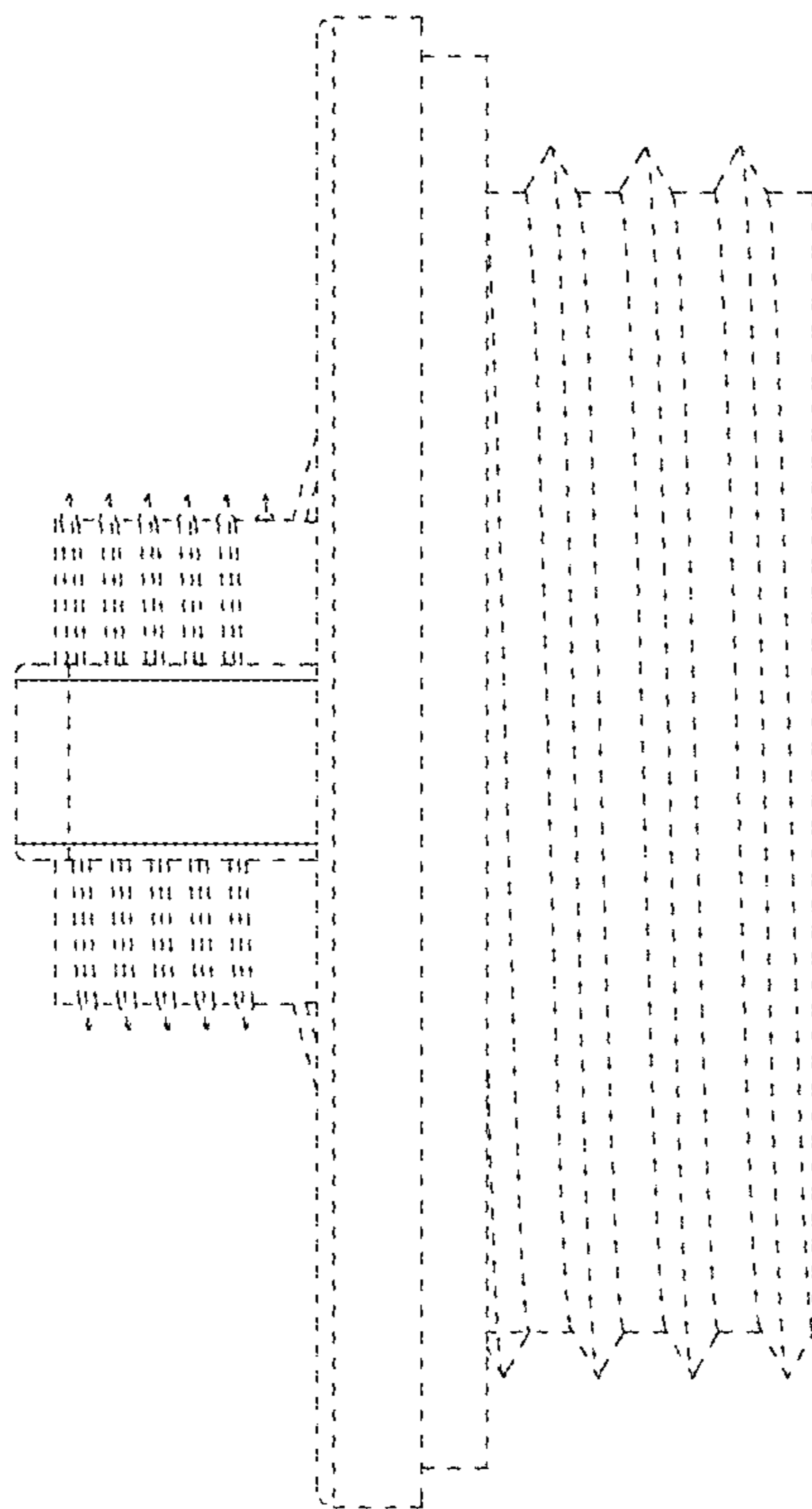


Figure 5

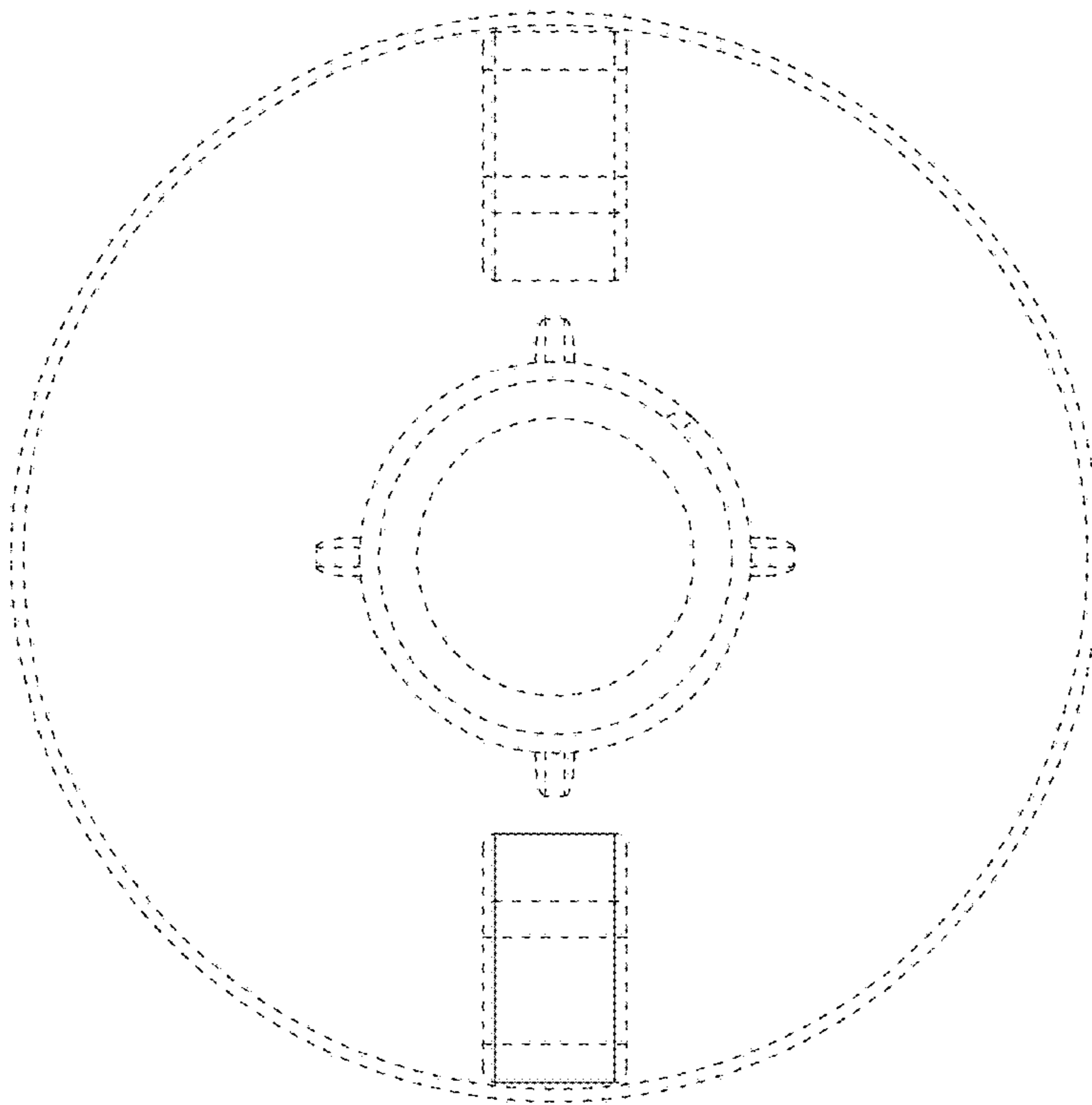


Figure 6

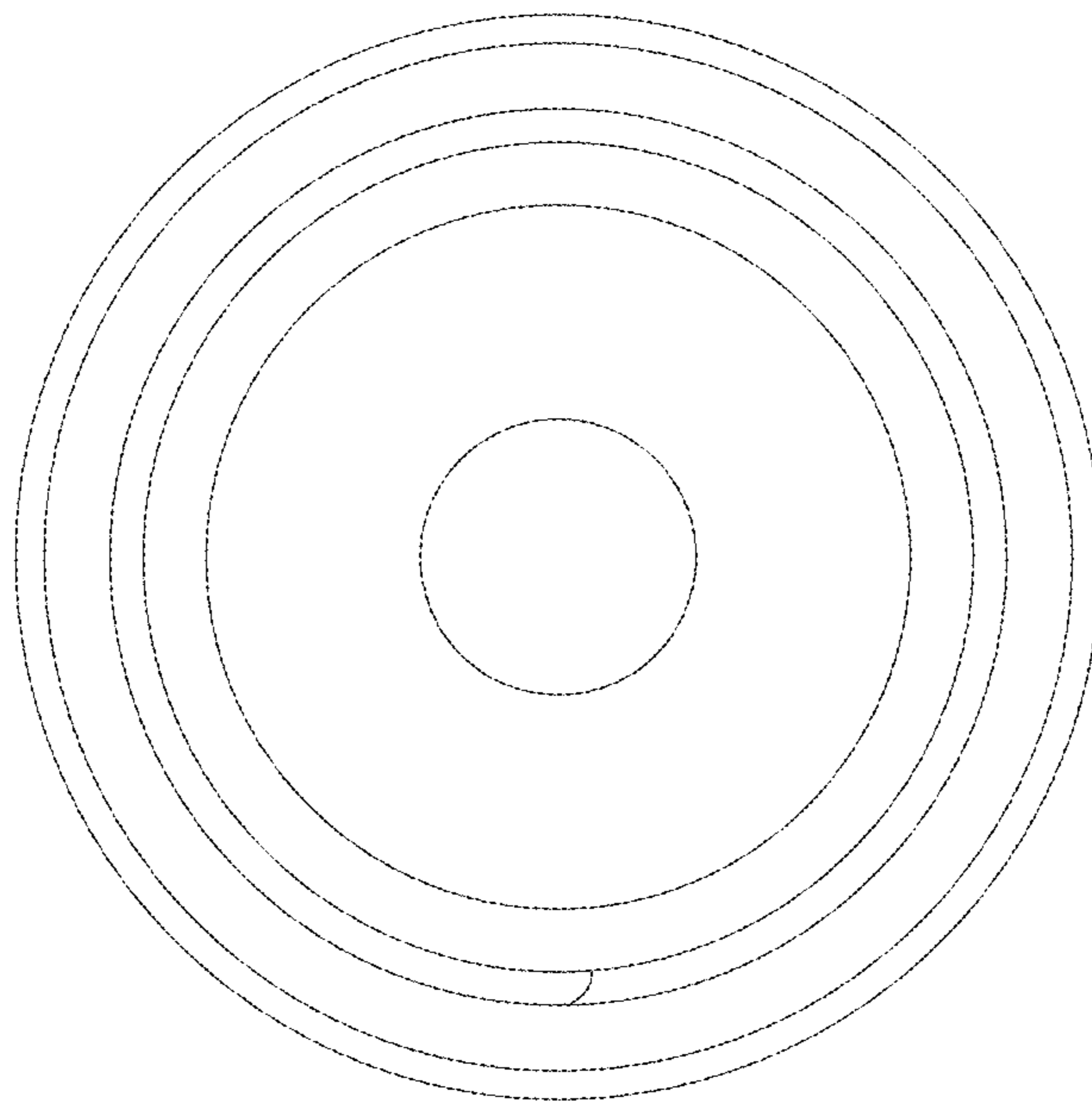


Figure 7