



US00D818320S

(12) **United States Design Patent**
Campbell

(10) **Patent No.:** **US D818,320 S**

(45) **Date of Patent:** **** May 22, 2018**

(54) **COMBINED SALT SHAKER AND POURER**

(71) Applicant: **Philip Campbell**, Seattle, WA (US)

(72) Inventor: **Philip Campbell**, Seattle, WA (US)

(**) Term: **15 Years**

(21) Appl. No.: **29/556,758**

(22) Filed: **Mar. 3, 2016**

(51) **LOC (11) Cl.** **07-01**

(52) **U.S. Cl.**

USPC **D7/591**

(58) **Field of Classification Search**

USPC D7/300, 300.1, 300.2, 301, 302, 303,
D7/589, 590, 598, 599, 629, 591-597,
D7/601, 602, 603, 604, 605, 608, 612,
D7/613, 614, 615, 619.1, 619.2, 630, 623,
D7/628, 710, 514, 518, 515, 509, 538,
D7/539, 540, 542, 544, 545; D9/600,
D9/643, 644, 645, 646, 647, 655, 661,
D9/738, 743, 744, 745, 746, 761, 772,
D9/773, 776, 500, 516, 537, 539, 541,
D9/545, 546, 549, 551, 559

CPC B65D 47/04; B65D 47/18; B65D 47/06;
B65D 47/28; B65D 47/286; B65D 43/02;
B65D 43/14; B65D 43/16; B65D
2543/00092; B65D 2543/00296; B65D
2543/00537; A47J 43/27; A47G 19/24;
A47G 19/00

See application file for complete search history.

(56) **References Cited**

U.S. PATENT DOCUMENTS

688,209 A * 12/1901 Svendsgaard A47G 19/24
222/142.1
1,537,408 A * 5/1925 Cogswell B65D 25/525
222/480
1,820,817 A * 8/1931 McRae A47G 19/24
215/307

1,835,375 A * 12/1931 Carson A47G 19/24
222/142.6
1,993,493 A * 3/1935 Vanderveld A47G 19/24
222/505
2,030,834 A * 2/1936 Cominsky A47J 43/27
215/277
2,031,755 A * 2/1936 Baranowski A47G 19/24
222/142.4
2,349,724 A * 5/1944 Henderson B65D 47/265
222/142.9
2,664,229 A * 12/1953 Erb B65D 47/265
222/548
D187,162 S * 2/1960 Lerner et al. D28/20

(Continued)

Primary Examiner — Shannon W Morgan

(74) *Attorney, Agent, or Firm* — John R. Benefiel

(57) **CLAIM**

The ornamental design for a combined salt shaker and pourer, as shown and described.

DESCRIPTION

FIG. 1 is a top perspective view of a combined salt shaker and pourer showing my new design.

FIG. 2 is a front elevational view thereof.

FIG. 3 is a rear elevational view thereof.

FIG. 4 is a right side elevational view thereof.

FIG. 5 is a left side elevational view thereof.

FIG. 6 is a top plan view thereof.

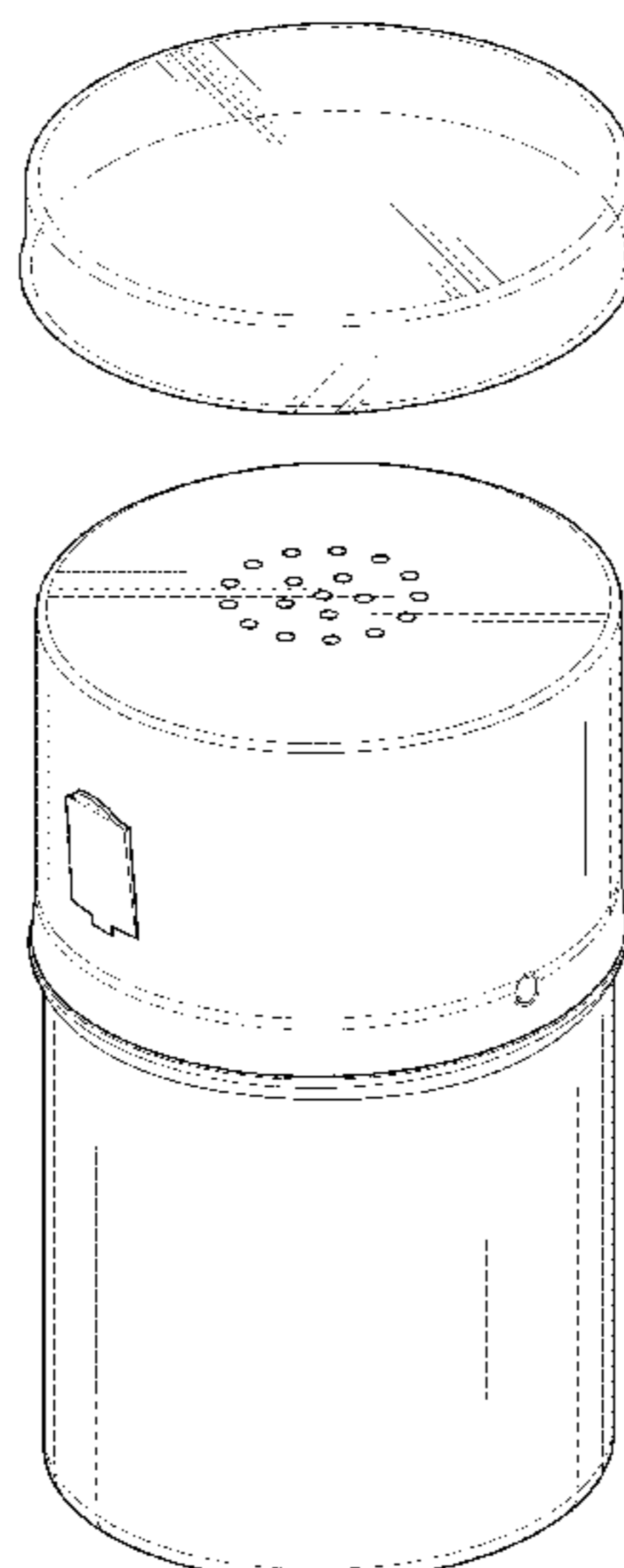
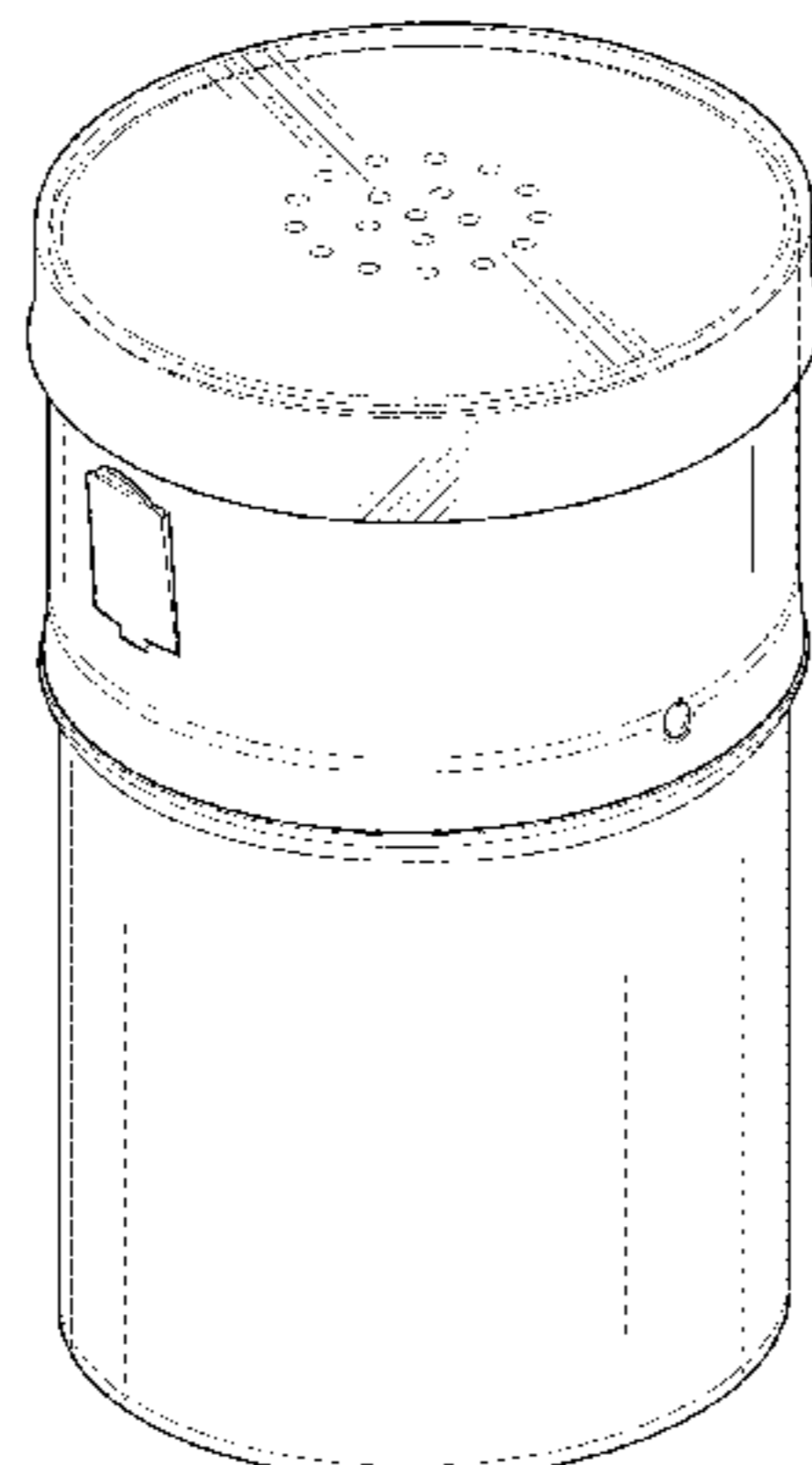
FIG. 7 is a bottom plan view thereof.

FIG. 8 is a top perspective view of the combined salt shaker and pourer shown with the spout shown in an open position thereof; and,

FIG. 9 is an exploded top perspective view of the combined salt shaker and pourer showing my new design.

The broken lines in FIG. 7 immediately adjacent to claimed subject matter depict a boundary of the combined salt shaker and pourer that forms no part of the claimed design.

1 Claim, 8 Drawing Sheets



(56)

References Cited

U.S. PATENT DOCUMENTS

3,229,867	A *	1/1966	Torii	B65D 47/265 215/313
D212,589	S *	11/1968	Roberts	D7/597
D245,750	S *	9/1977	Maclean	D7/591
D248,204	S *	6/1978	Daenen	D7/591
D266,391	S *	10/1982	Jordon	D7/608
D269,316	S *	6/1983	Conti	D7/591
4,955,497	A *	9/1990	Winden	B65F 1/08 220/210
D345,676	S *	4/1994	Biffle	D7/510
D350,460	S *	9/1994	Picozza	D7/629
D354,909	S *	1/1995	Blanche	D7/596
D371,304	S *	7/1996	Onneweer	D7/511
D408,689	S *	4/1999	Kato	D7/511
D474,651	S *	5/2003	Ward	D7/615
D496,830	S *	10/2004	Hockey	D7/591
D497,778	S *	11/2004	Rich	D7/608
D536,578	S *	2/2007	Graham	D7/597
D561,032	S *	2/2008	Fuchs	D7/590
D641,591	S *	7/2011	Tsukida	D7/608
D660,084	S *	5/2012	Gilbert	D7/510
2011/0215116	A1 *	9/2011	Fuller	A47G 19/24 222/226

* cited by examiner

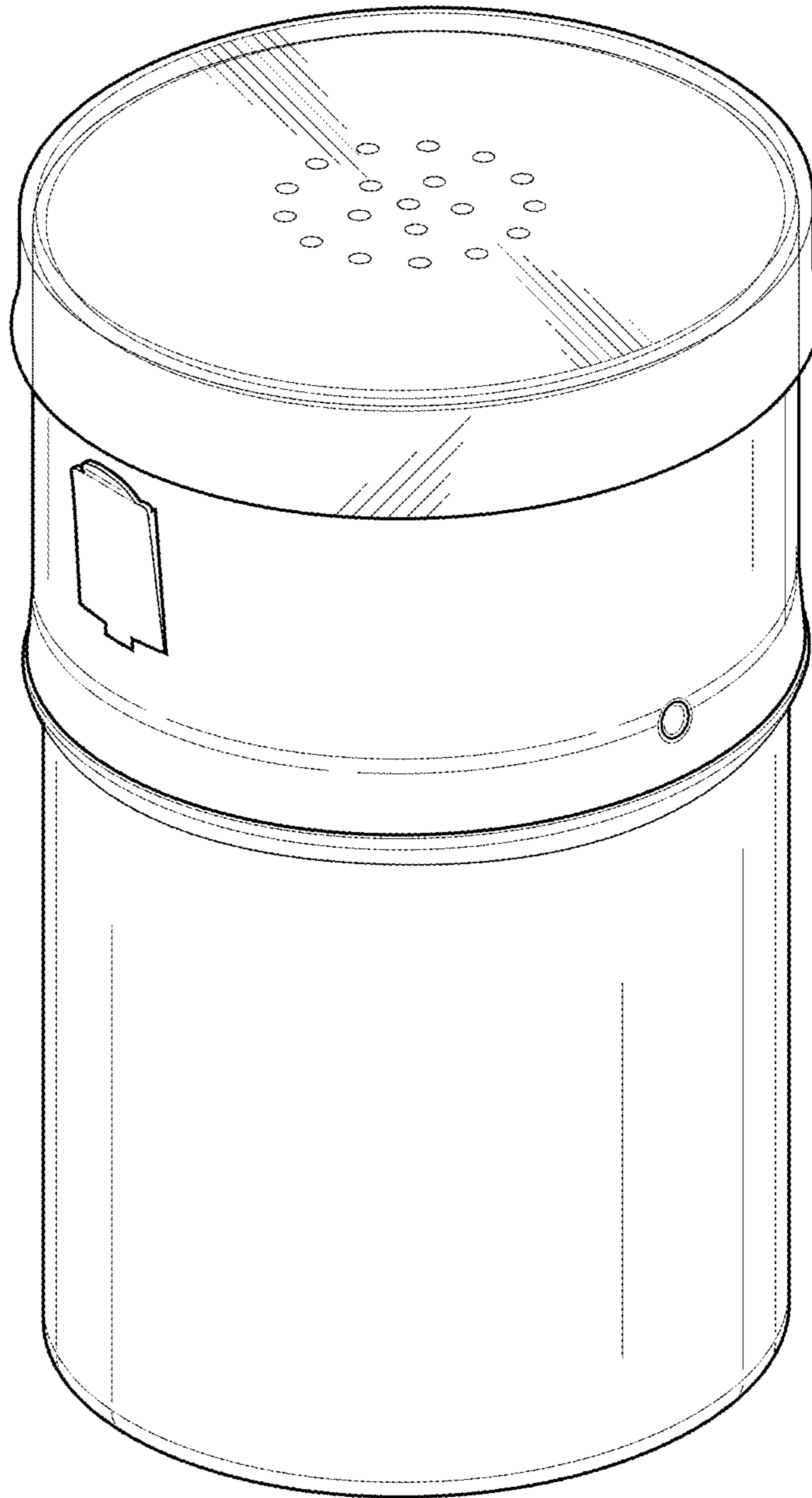


FIG. 1

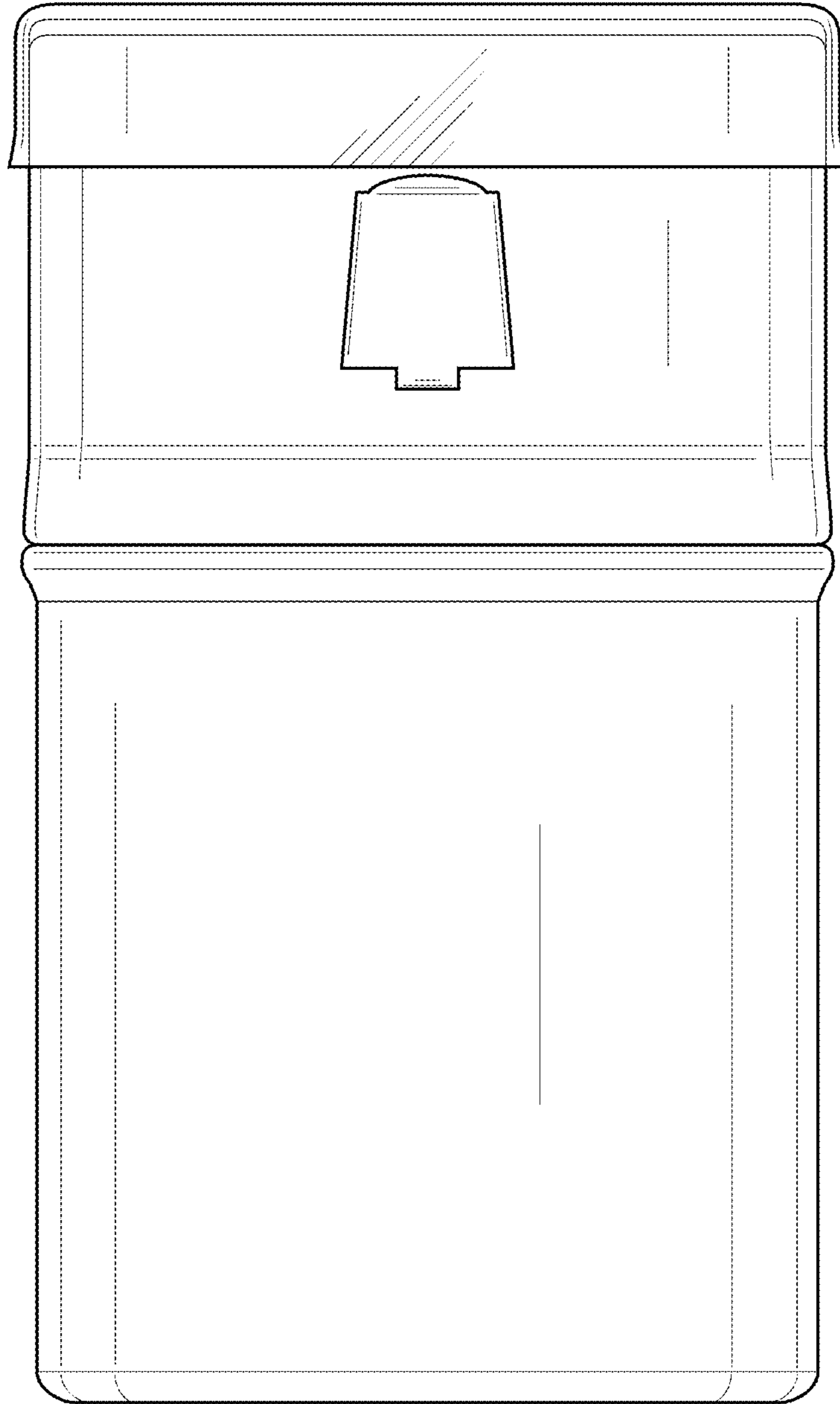


FIG. 2

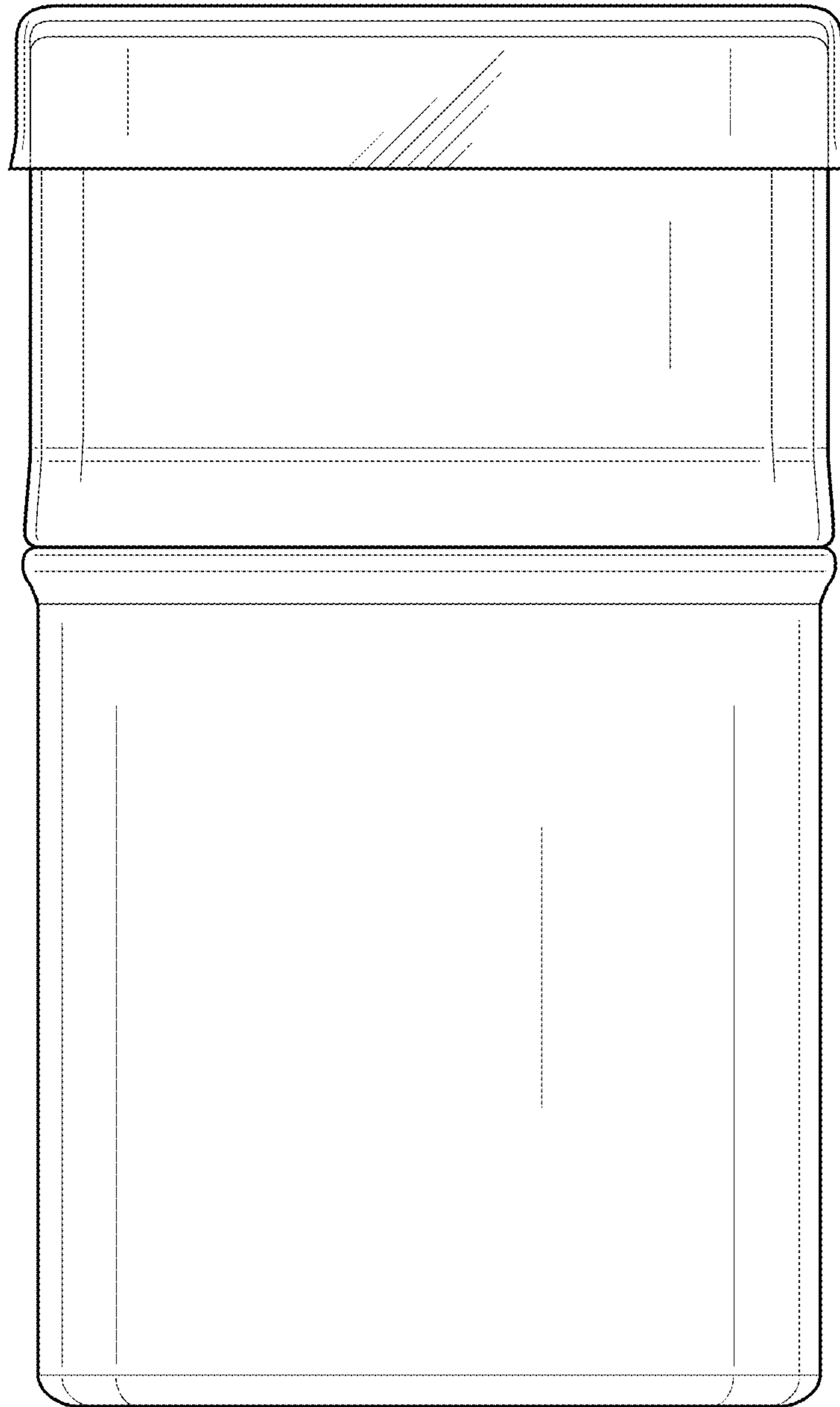


FIG. 3

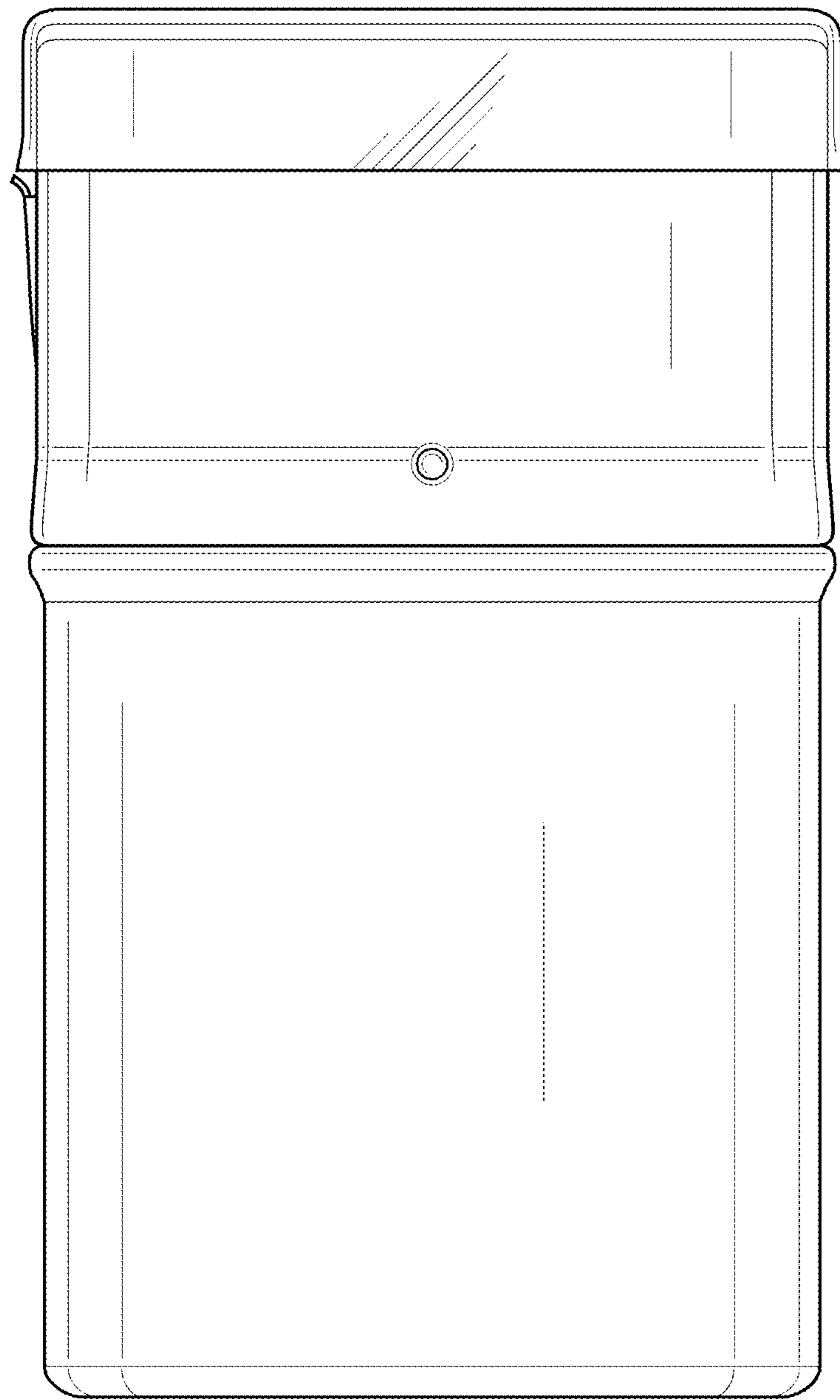


FIG. 4

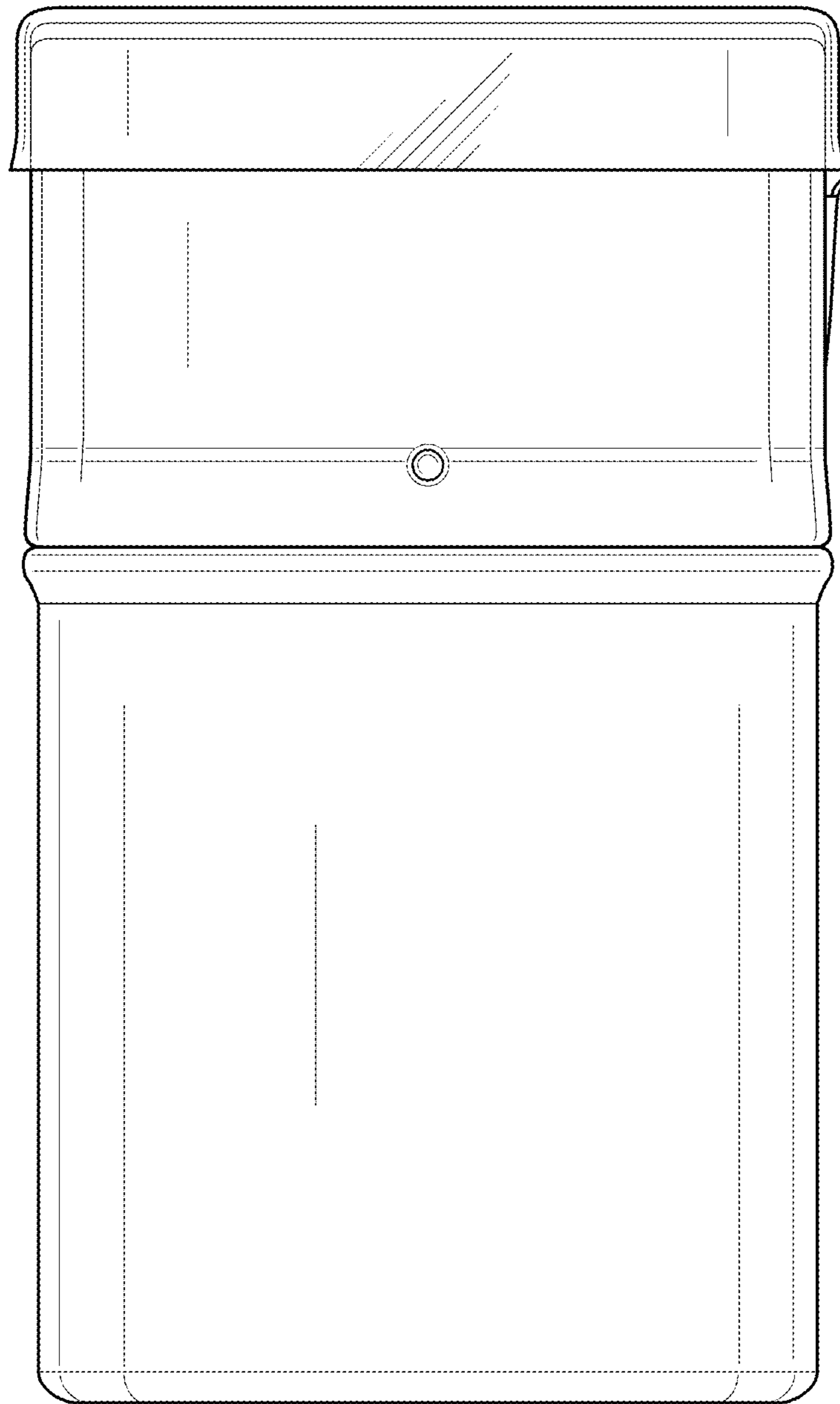


FIG. 5

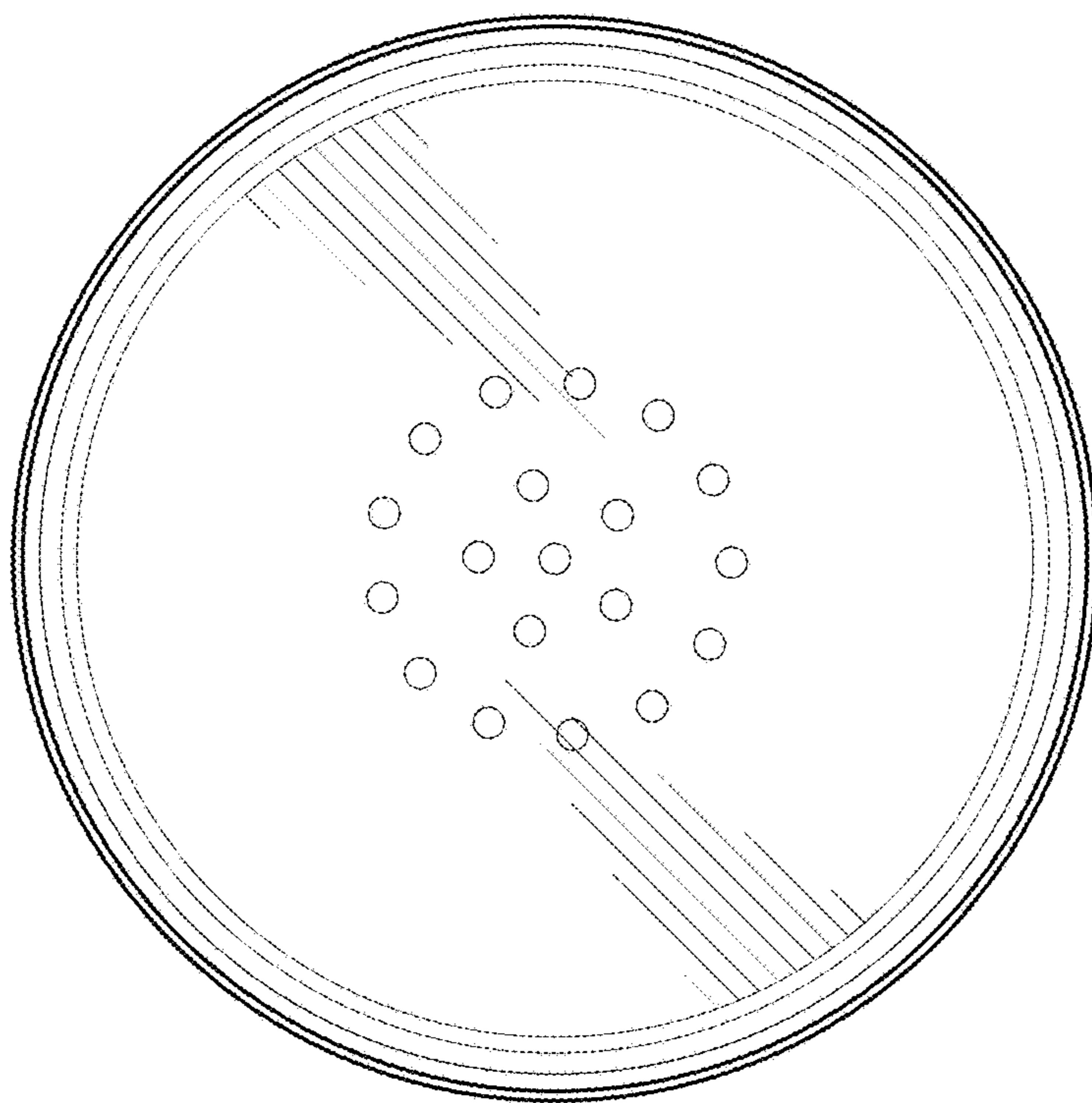


FIG. 6

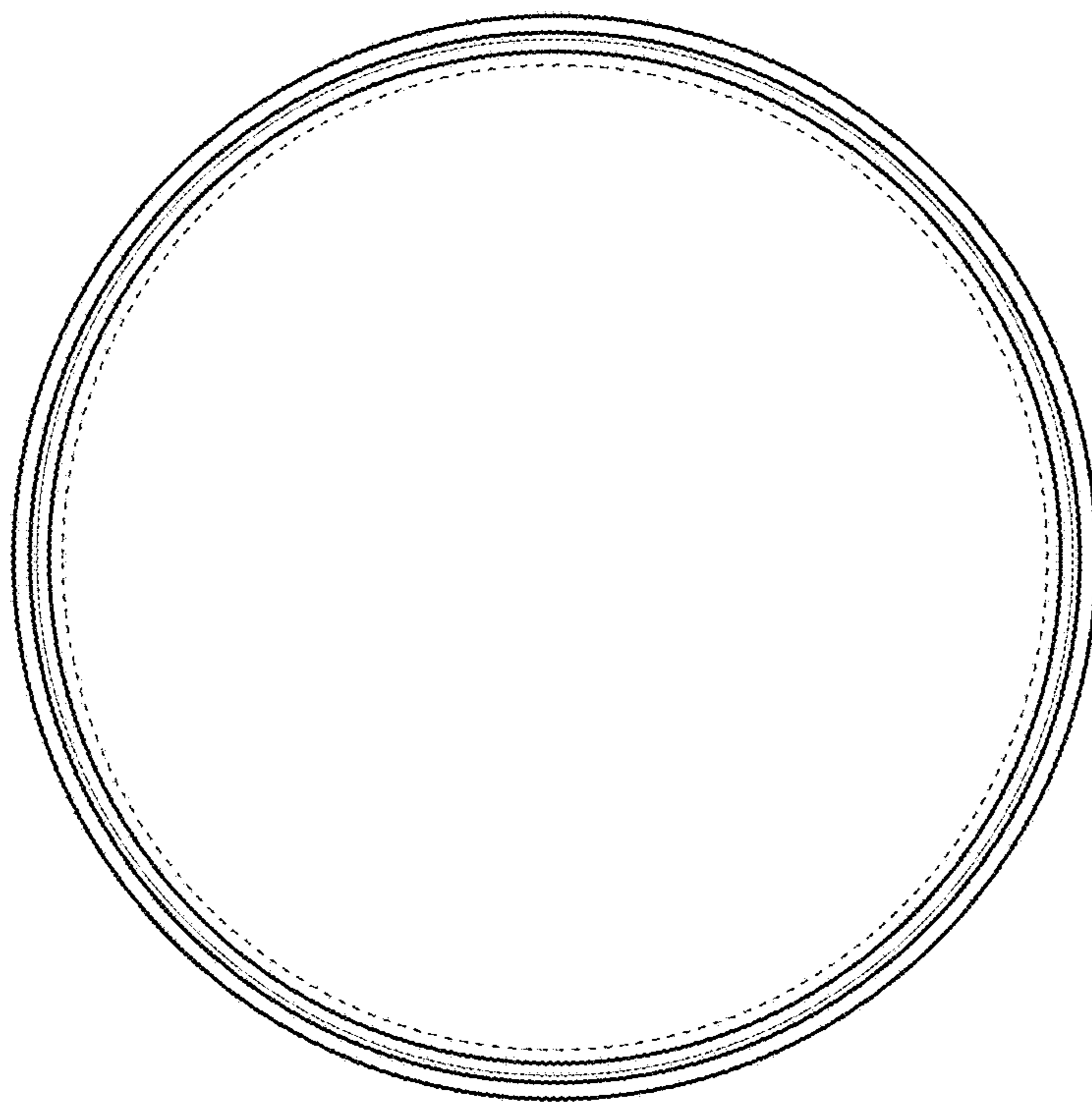


FIG. 7

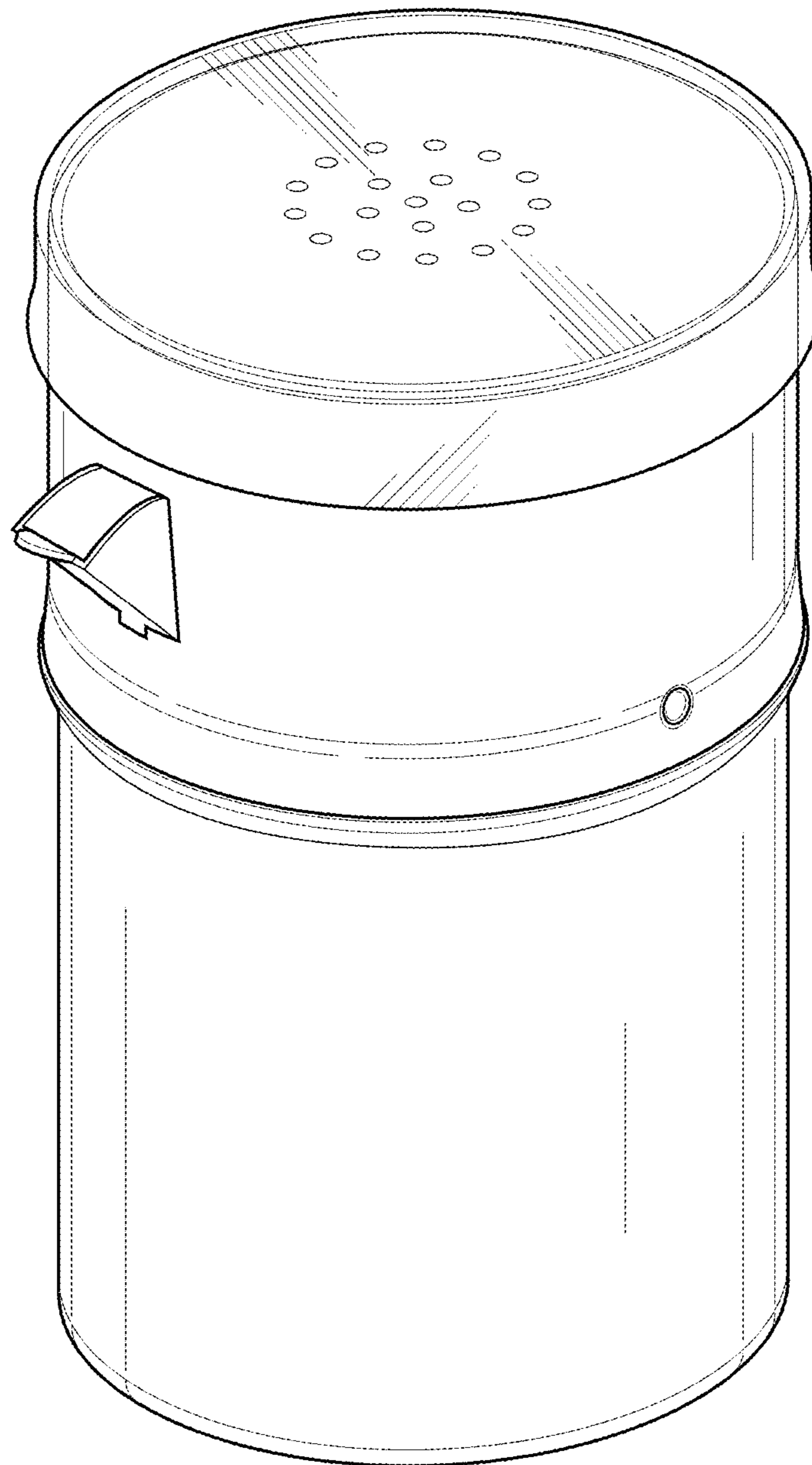


FIG. 8

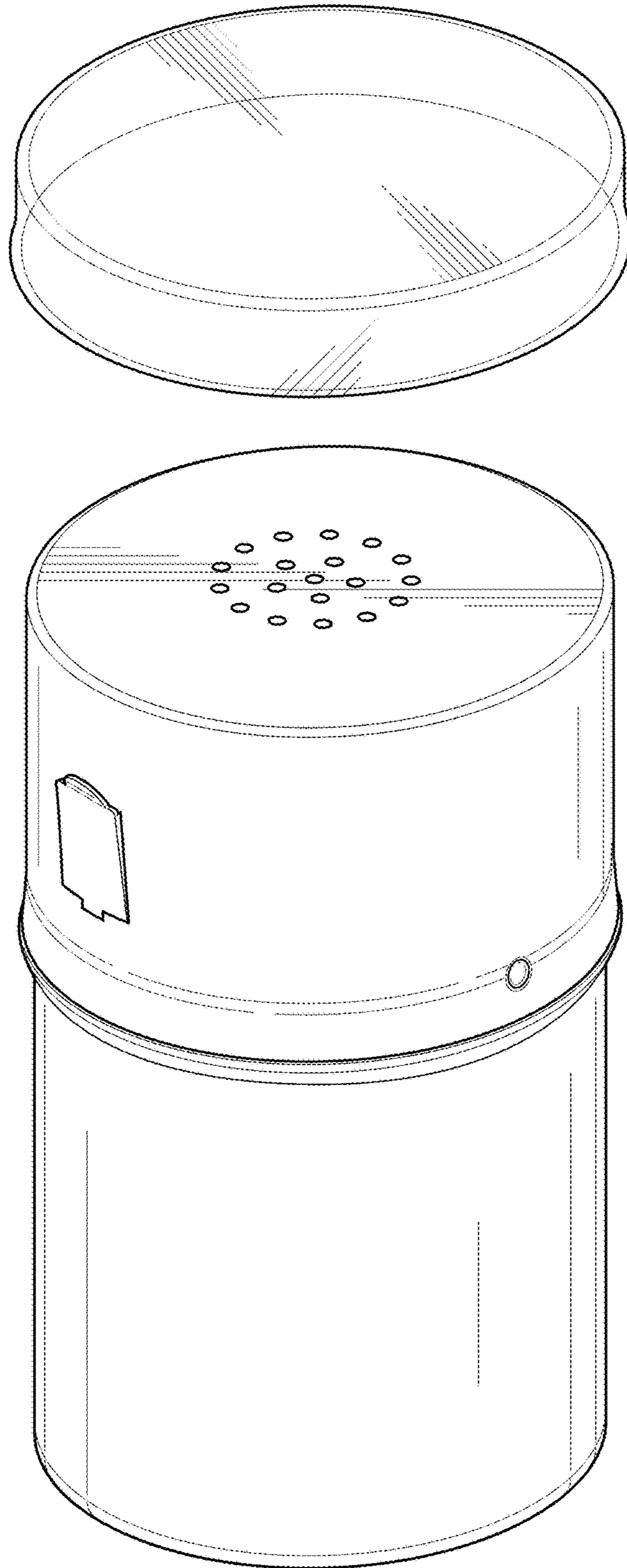


FIG. 9