



US00D818318S

(12) **United States Design Patent**
Zhou

(10) **Patent No.:** **US D818,318 S**

(45) **Date of Patent:** **** May 22, 2018**

(54) **FOOD TRAY**

(71) Applicant: **Qiaozhen Zhou**, Zhejiang (CN)

(72) Inventor: **Qiaozhen Zhou**, Zhejiang (CN)

(**) Term: **15 Years**

(21) Appl. No.: **29/601,010**

(22) Filed: **Apr. 18, 2017**

(51) **LOC (11) Cl.** **07-01**

(52) **U.S. Cl.**

USPC **D7/553.2**

(58) **Field of Classification Search**

USPC D3/304, 313, 315; D7/500, 550.1, 553.1,
D7/553.2, 553.5, 554.3, 601-602;
D9/737, 755, 756, 759-760

CPC A47G 19/00; A47G 19/02; B65D 1/34;
B65D 1/36; B65D 21/02

See application file for complete search history.

(56) **References Cited**

U.S. PATENT DOCUMENTS

D277,837 S * 3/1985 Turunen D11/155
D278,253 S * 4/1985 Evenson D19/75
D278,255 S * 4/1985 Evenson D19/75
D316,359 S * 4/1991 Anderson D7/549

D320,909 S * 10/1991 Szablak D30/133
D396,954 S * 8/1998 Iversen D19/75
D423,219 S * 4/2000 Dembicks D3/201
D440,118 S * 4/2001 Claffy D7/553.1
D593,325 S * 6/2009 Evans D3/273
D787,186 S * 5/2017 Thurbin D3/313
D791,544 S * 7/2017 Dennis D7/553.2
D793,812 S * 8/2017 Dennis D7/553.2
D802,368 S * 11/2017 Peng D7/553.2
D804,961 S * 12/2017 Shoshan D9/737
D805,400 S * 12/2017 Shoshan D9/737
D809,934 S * 2/2018 Shoshan D9/737

* cited by examiner

Primary Examiner — Kelley Donnelly

(57) **CLAIM**

The ornamental design for a food tray, as shown and described.

DESCRIPTION

FIG. 1 is a top view of the food tray showing our new design;

FIG. 2 is a bottom view thereof;

FIG. 3 is a left side view thereof;

FIG. 4 is a right side view thereof;

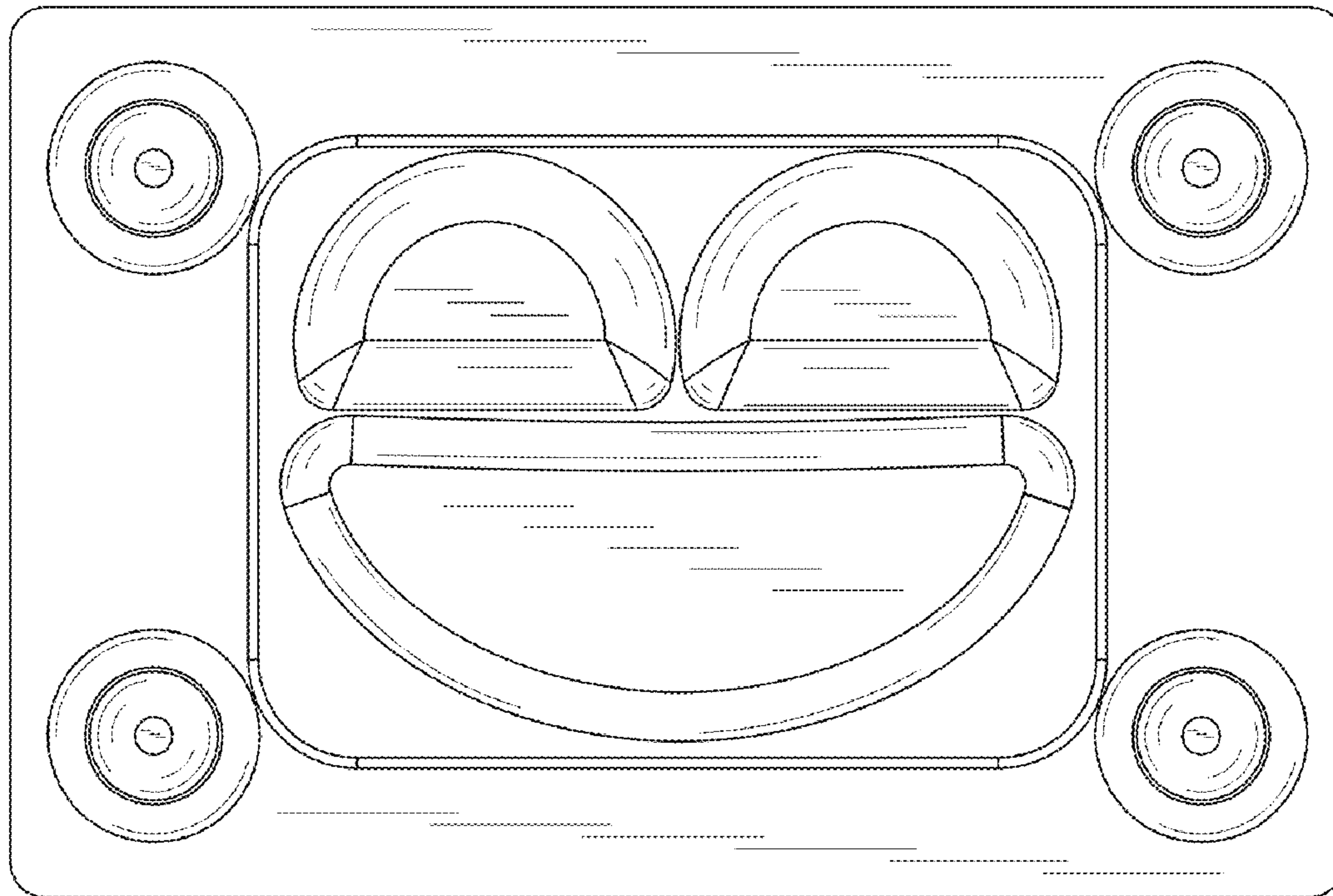
FIG. 5 is a front view thereof;

FIG. 6 is a back view thereof;

FIG. 7 is a top perspective view thereof; and,

FIG. 8 is a bottom perspective view thereof.

1 Claim, 3 Drawing Sheets



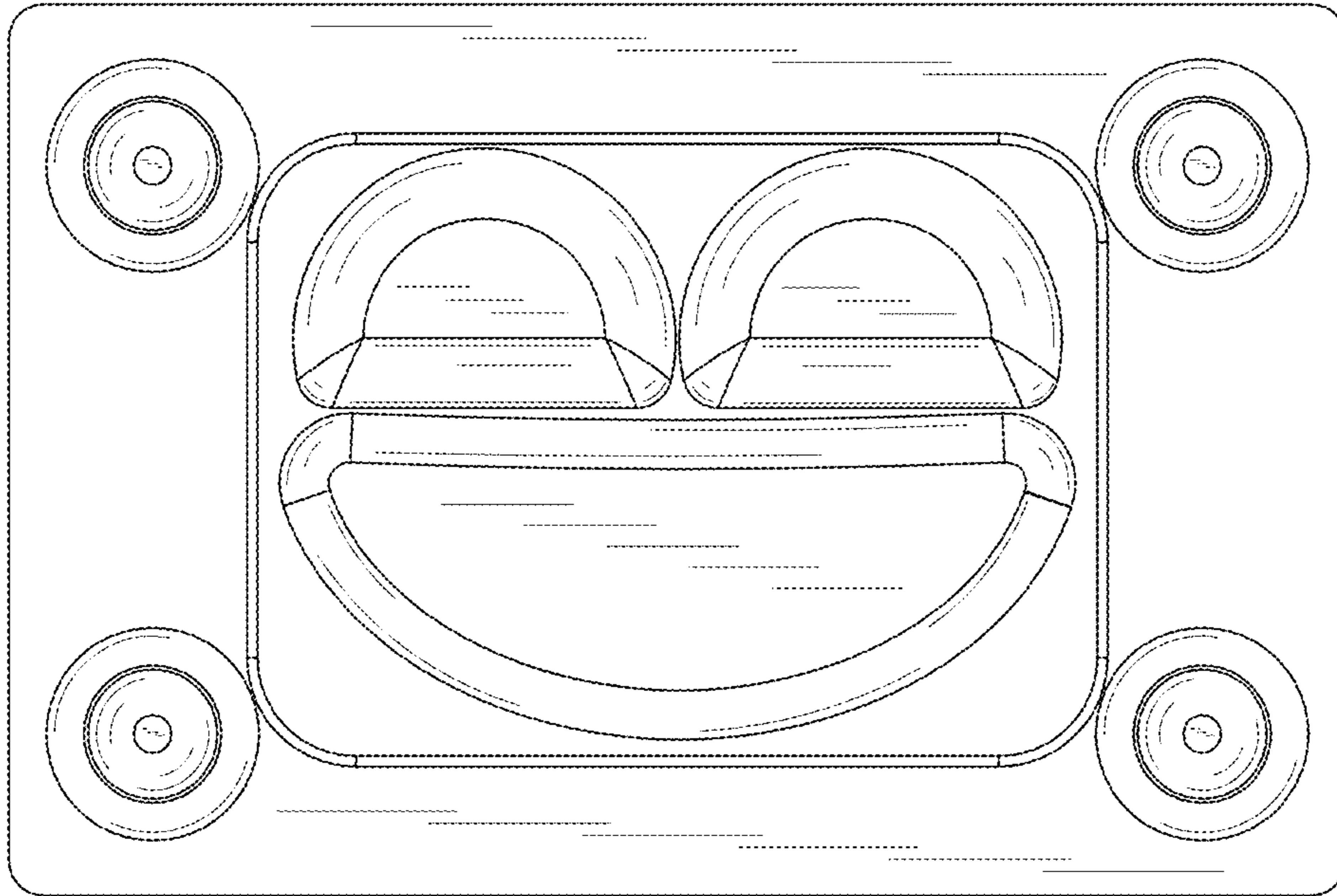


FIG. 1

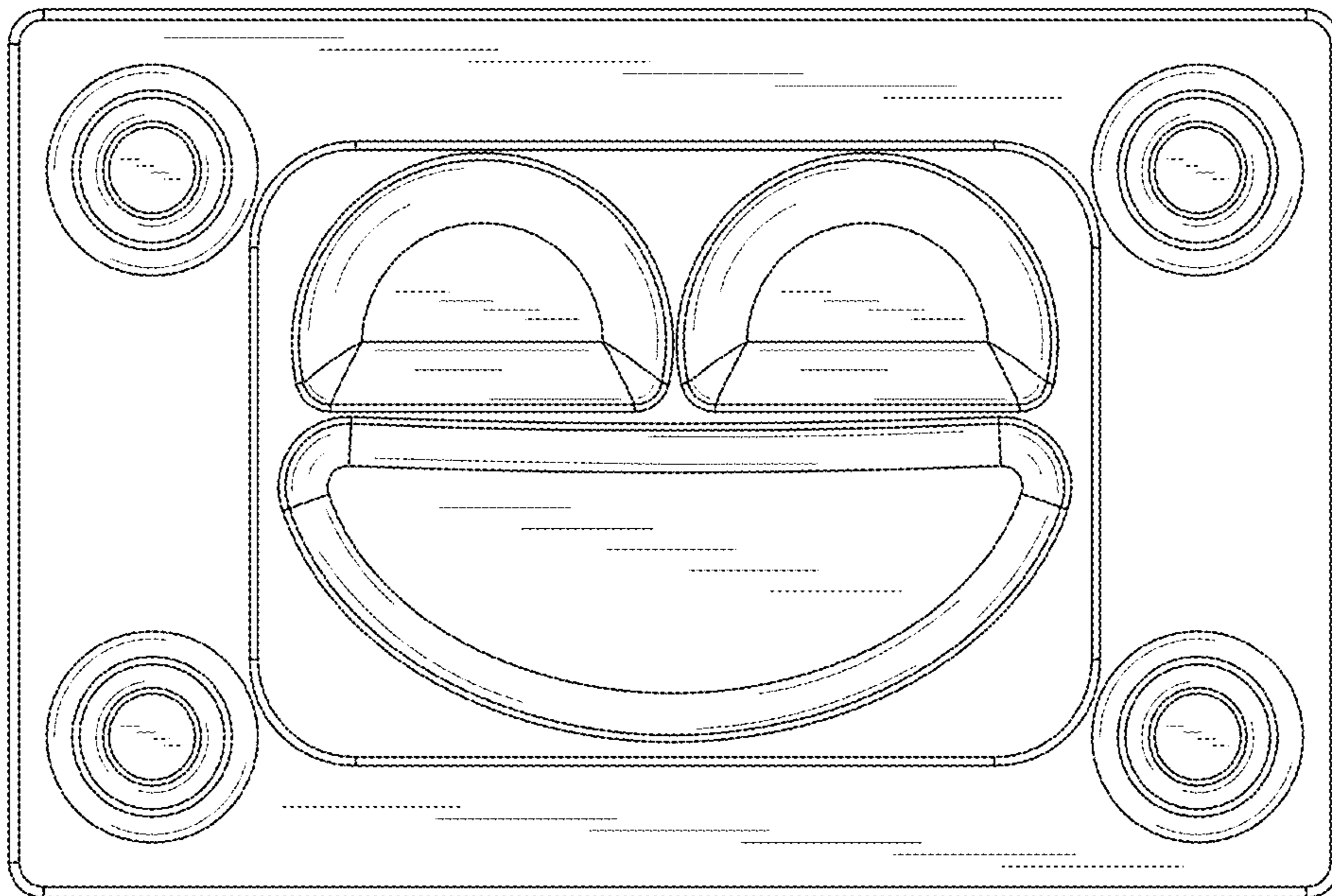


FIG. 2

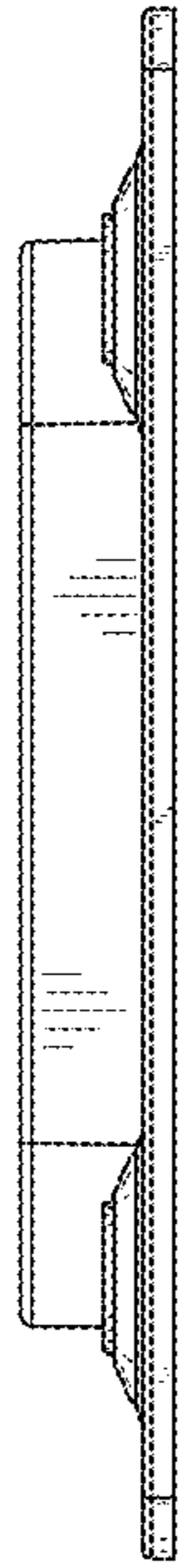


FIG.3

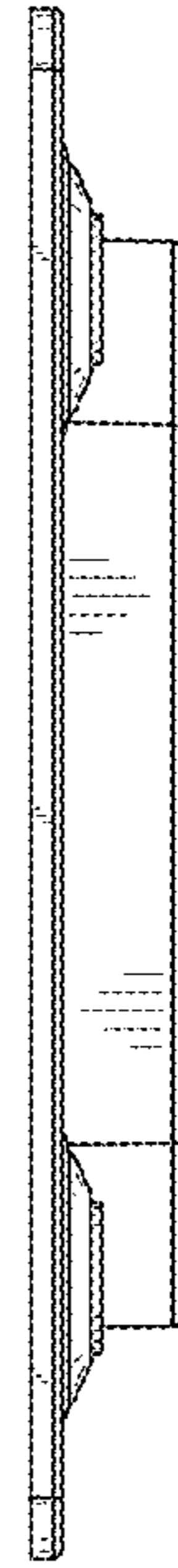


FIG.4



FIG.5

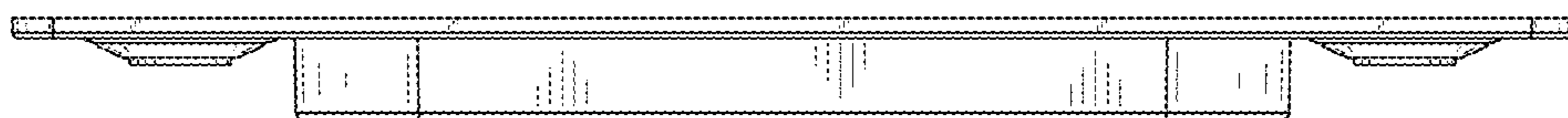


FIG.6

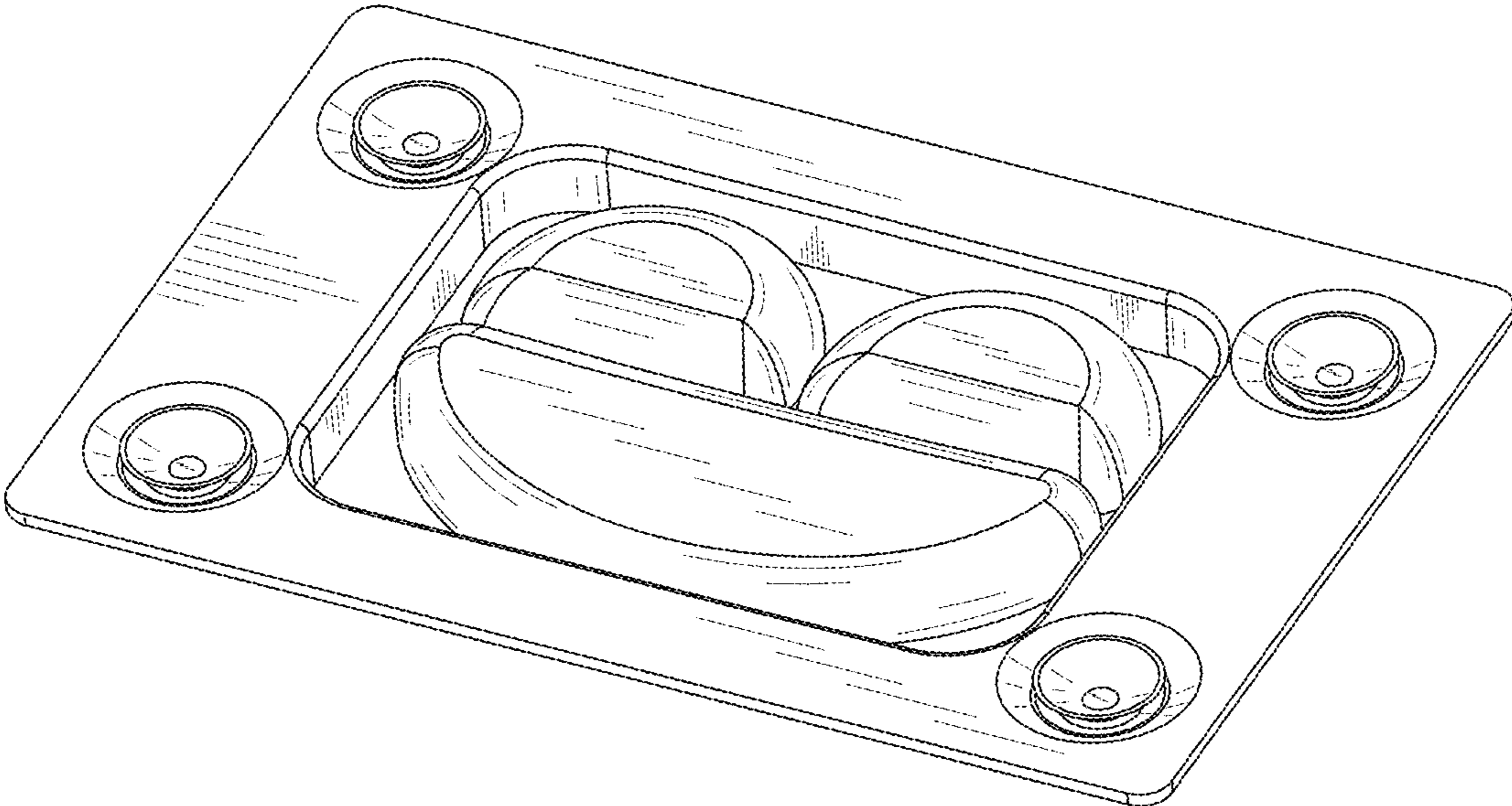


FIG. 7

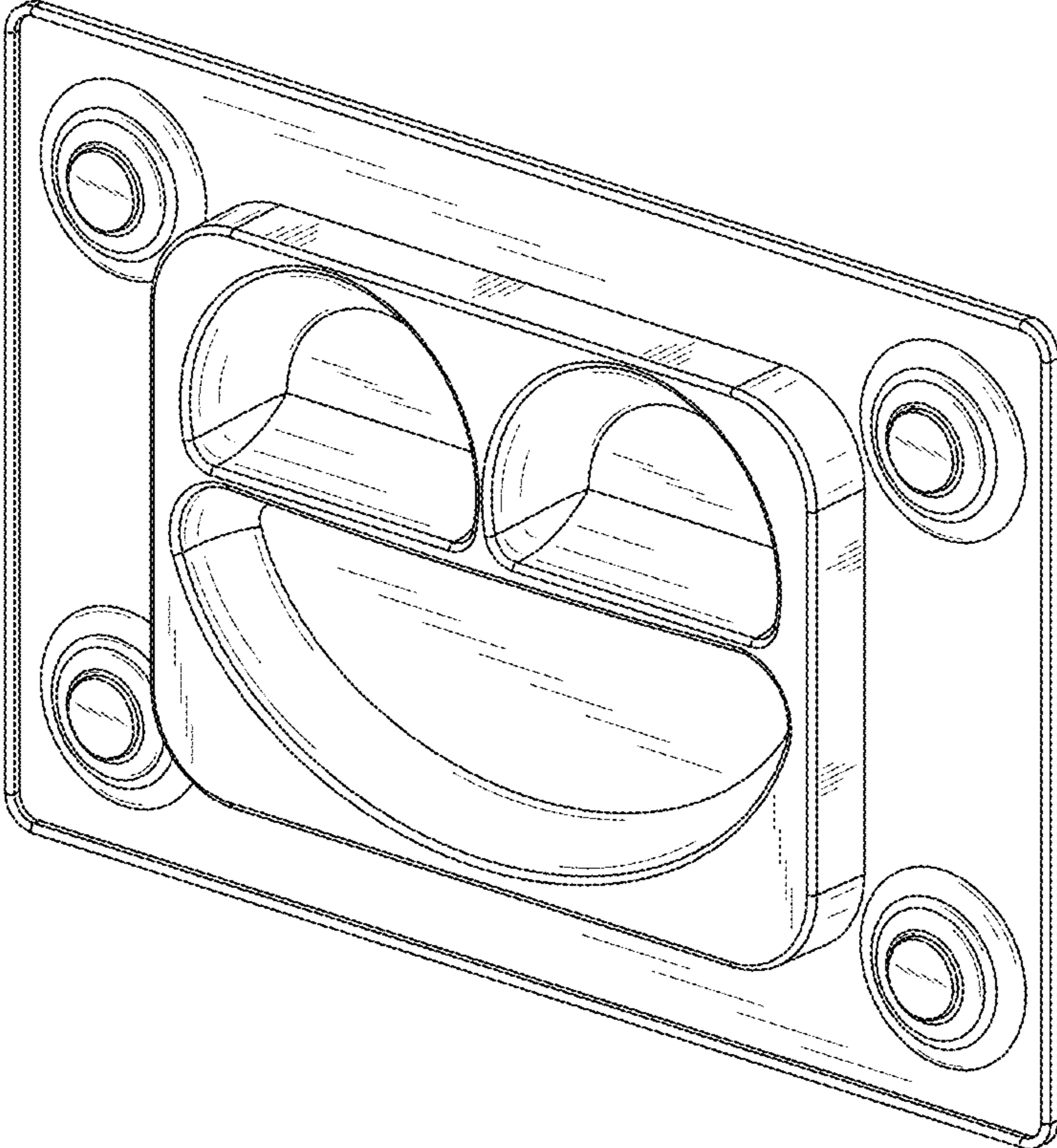


FIG. 8