



US00D818317S

(12) **United States Design Patent**
Fu

(10) **Patent No.:** **US D818,317 S**

(45) **Date of Patent:** **** *May 22, 2018**

(54) **BEVERAGE CONTAINER**

(71) Applicant: **Zhejiang Huangyan DaFu Plastic Co., Ltd.**, Huang Yan District, Zhejiang Prov. (CN)

(72) Inventor: **Zhou Xiao Fu**, Huang Yan District (CN)

(*) Notice: This patent is subject to a terminal disclaimer.

(**) Term: **15 Years**

(21) Appl. No.: **29/553,894**

(22) Filed: **Feb. 5, 2016**

(51) **LOC (11) Cl.** **07-01**

(52) **U.S. Cl.**

USPC **D7/510**; D7/511; D7/532; D7/529

(58) **Field of Classification Search**

USPC D7/507, 509, 510, 511, 512, 523, 531, D7/532, 533, 535, 536, 608, 392.1, 396.2, D7/529; D9/435, 436, 449, 442, 443, D9/500, 502, 503, 504, 529, 447; 220/592.16, 592.17, 62.12, 703

CPC A45F 3/16; B65D 47/066; A47J 43/27; A47G 19/2272; A47G 19/2211; A47G 19/22; A47G 19/2222

See application file for complete search history.

(56) **References Cited**

U.S. PATENT DOCUMENTS

D592,905 S *	5/2009	Pinelli	D7/396.2
D634,161 S *	3/2011	Roth	D7/510
D679,541 S *	4/2013	Samartgis	D7/392.1
D682,034 S *	5/2013	El-Saden	D7/510
D696,119 S *	12/2013	Evans	D9/500
D700,014 S *	2/2014	Zeanah	D7/510
D707,124 S *	6/2014	Blain	D9/443

D721,276 S *	1/2015	Herbst	D7/396.2
D729,569 S *	5/2015	Herbst	D7/392
D739,174 S *	9/2015	Elsaden	D7/392.1
D748,943 S *	2/2016	Miller	D7/392.1
D756,702 S *	5/2016	Joseph	D7/392.1
D768,491 S *	10/2016	Sorensen	D7/392.1
D781,104 S *	3/2017	Cerasani	D7/300.1
2012/0187075 A1 *	7/2012	El-Saden	B65D 47/066 215/389
2014/0048511 A1 *	2/2014	El-Saden	A45F 3/16 215/389

(Continued)

Primary Examiner — Marianne Pandozzi

Assistant Examiner — Jae Liang

(57) **CLAIM**

The ornamental design for a beverage container, as shown and described.

DESCRIPTION

FIG. 1 is a perspective view of a beverage container showing my new design;

FIG. 2 is a front elevational view thereof;

FIG. 3 is a rear elevational view thereof;

FIG. 4 is a right side elevational view thereof;

FIG. 5 is a left side elevational view thereof;

FIG. 6 is a top view thereof;

FIG. 7 is a bottom view thereof;

FIG. 8 is a perspective view thereof shown with its lid open;

FIG. 9 is a front elevational view thereof shown with its lid open;

FIG. 10 is a rear elevational view thereof shown with its lid open;

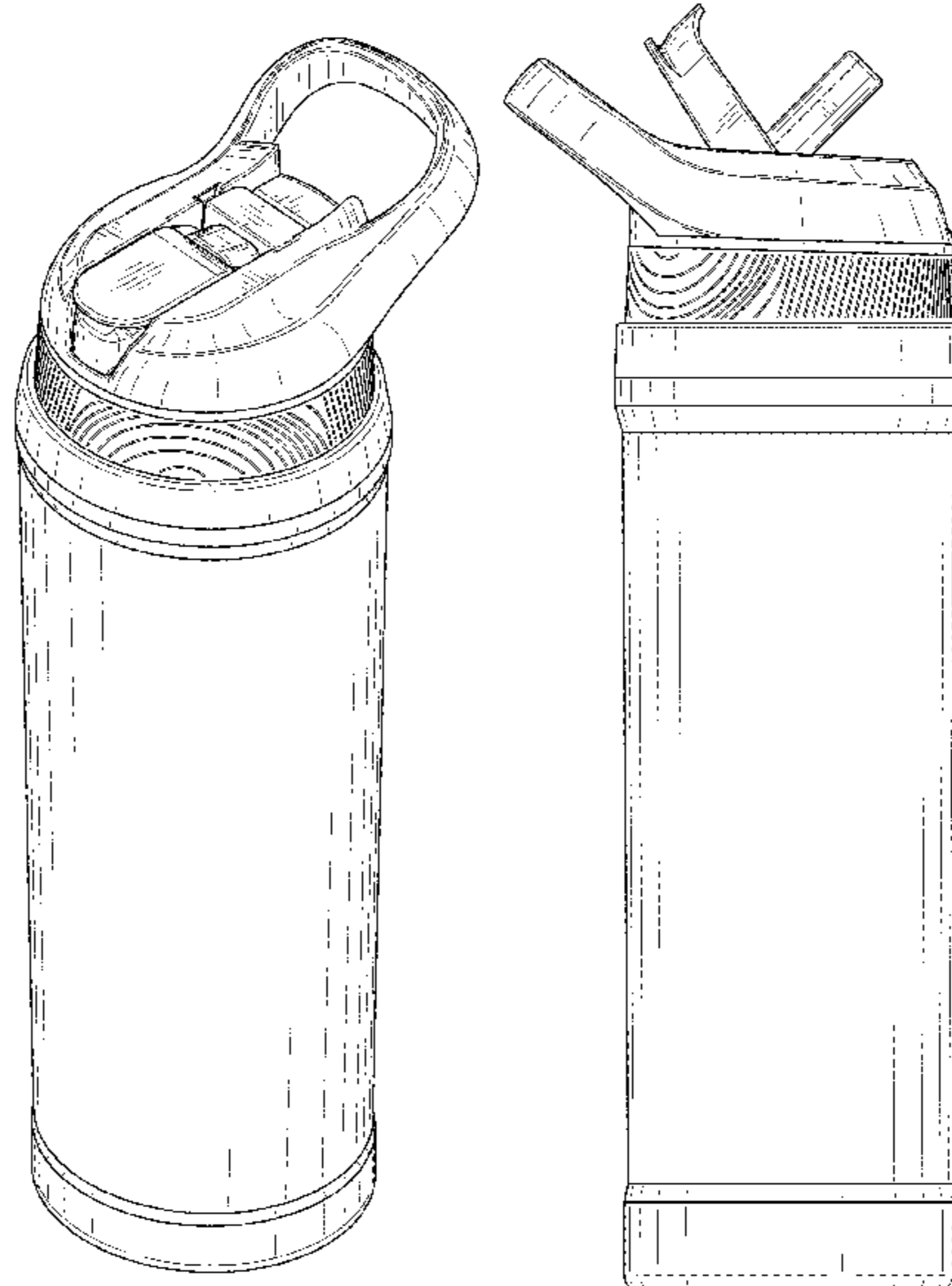
FIG. 11 is a right side elevational view thereof shown with its lid open;

FIG. 12 is a left side elevational view thereof shown with its lid open;

FIG. 13 is a top view thereof shown with its lid open; and,

FIG. 14 is a bottom view thereof shown with its lid open.

1 Claim, 8 Drawing Sheets



(56)

References Cited

U.S. PATENT DOCUMENTS

2015/0173539 A1* 6/2015 Mason A47G 19/2272
220/707

* cited by examiner

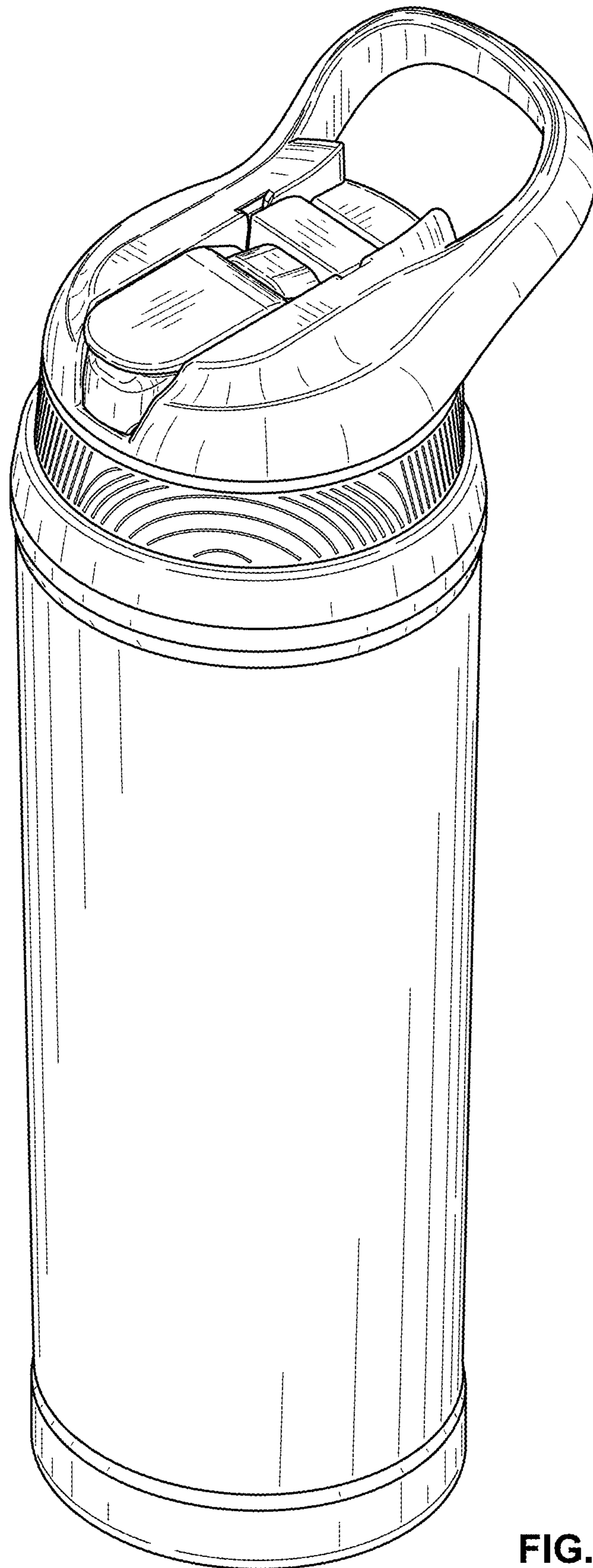


FIG. 1

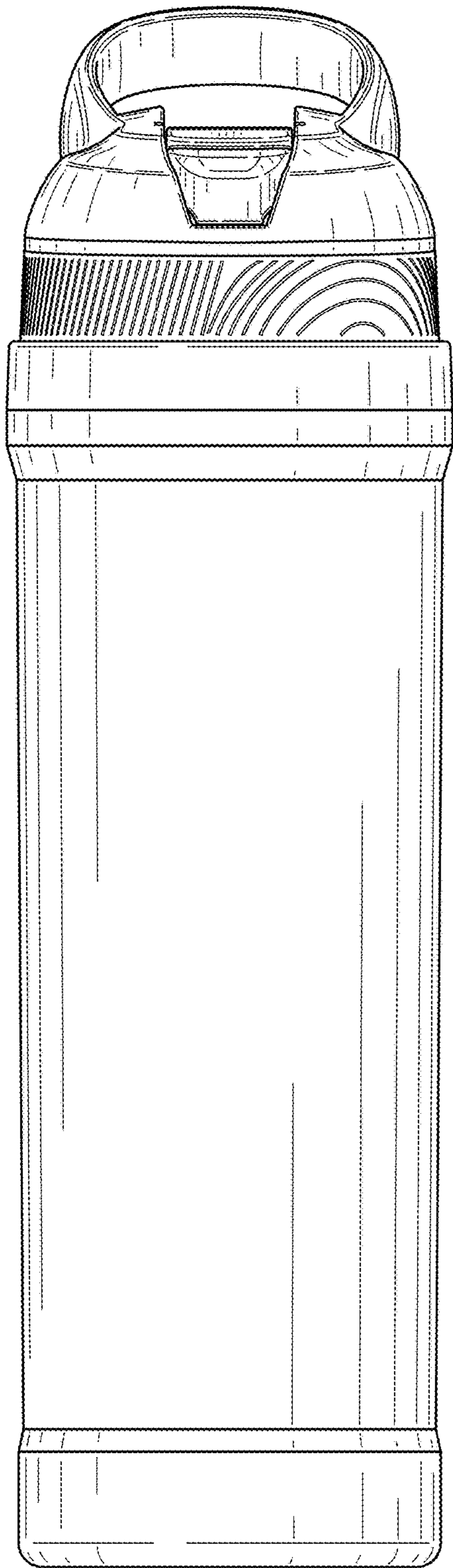


FIG. 2

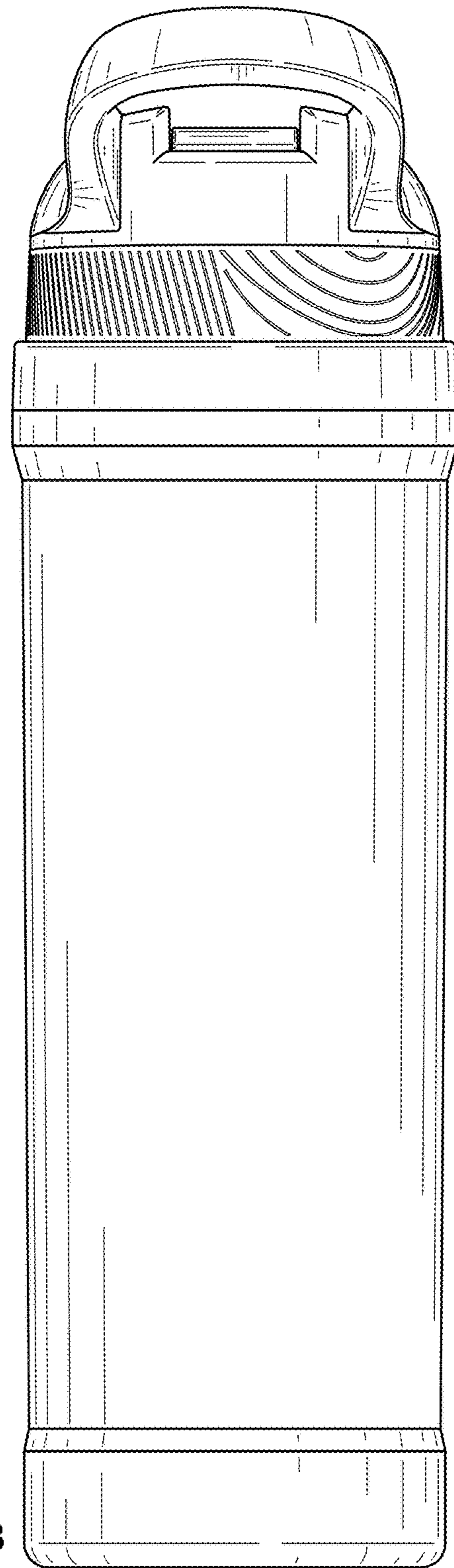


FIG. 3

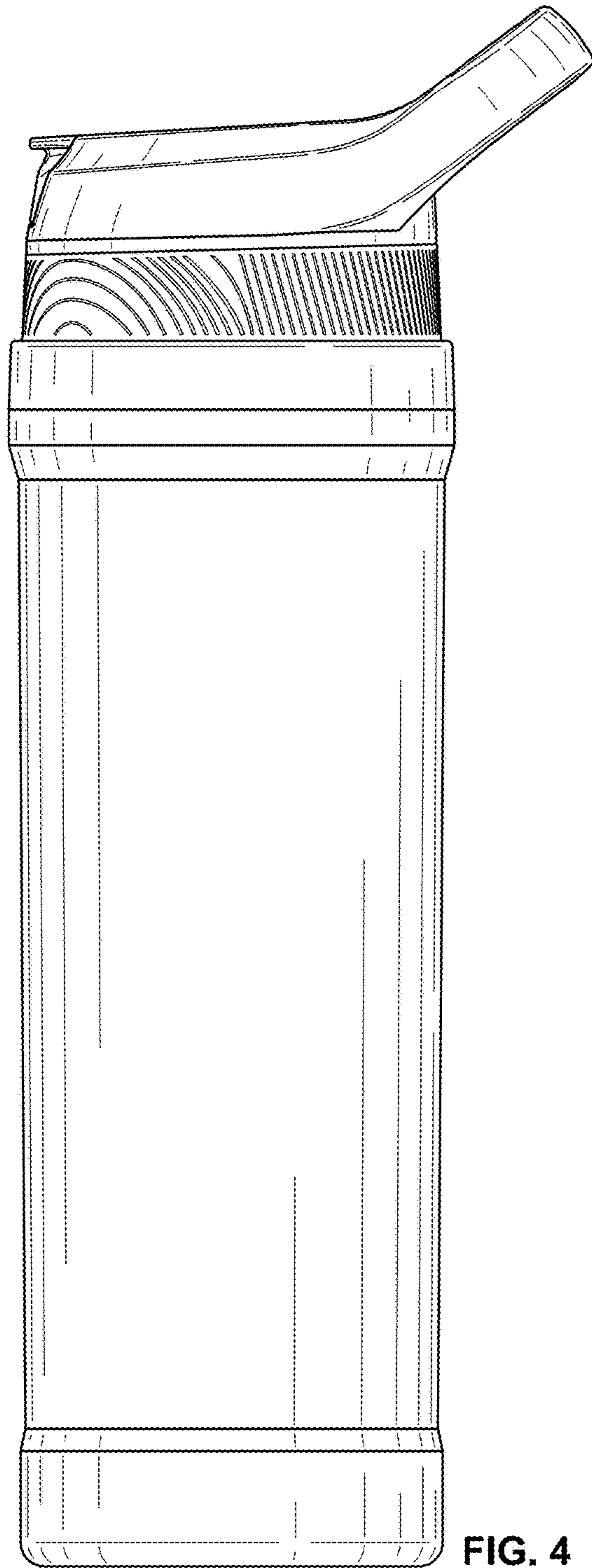


FIG. 4

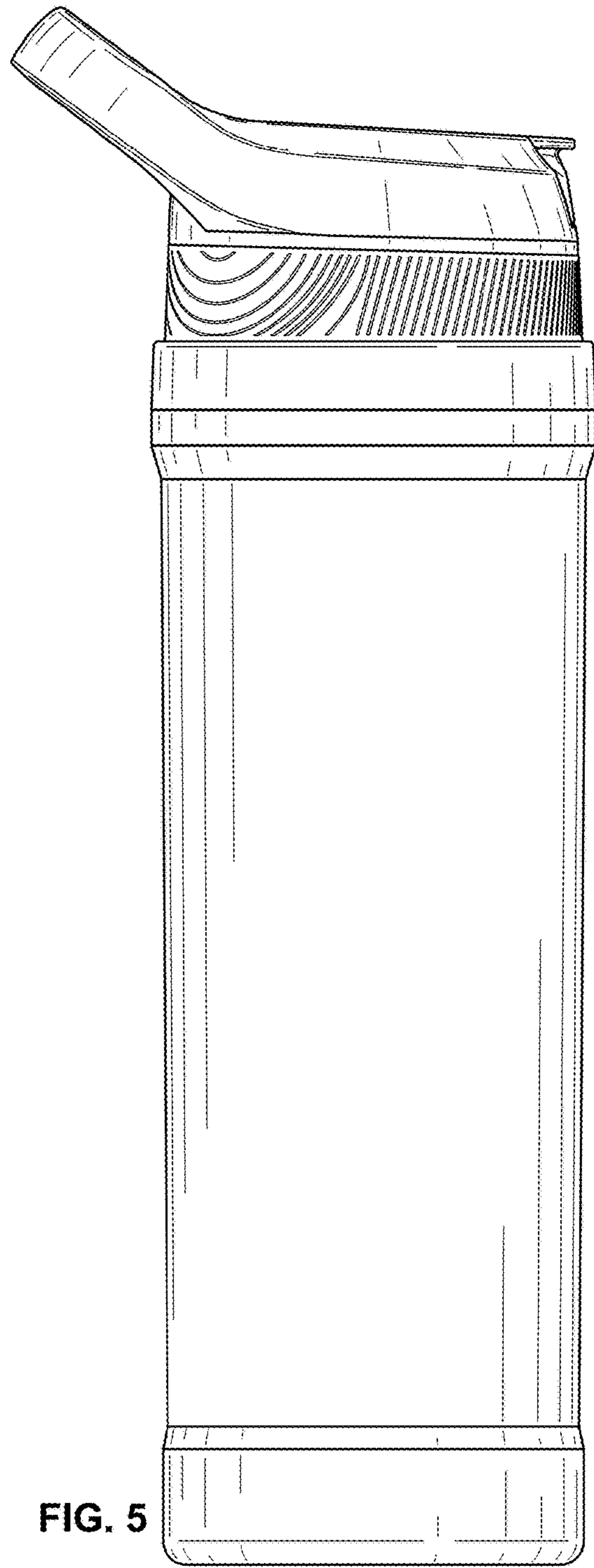


FIG. 5

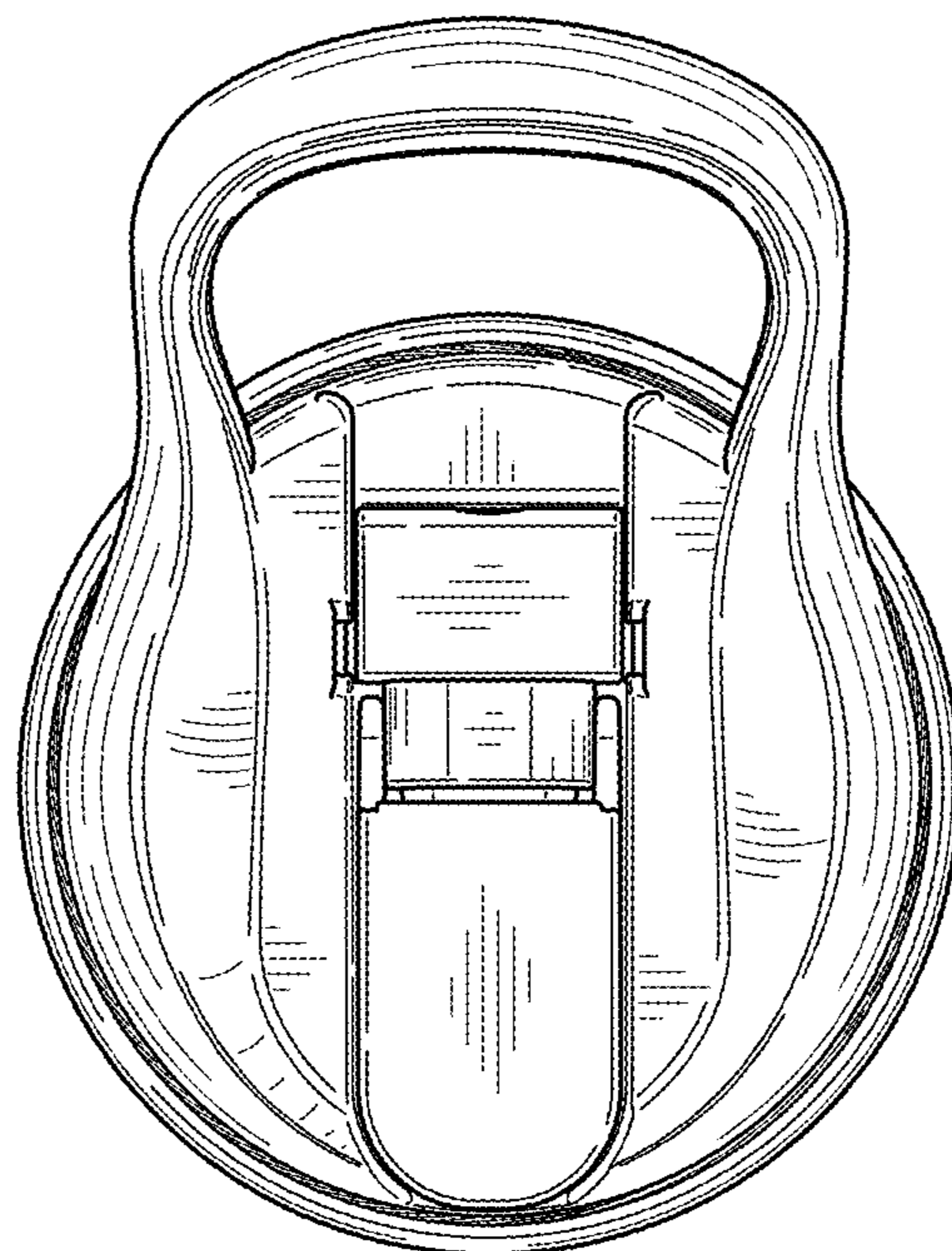


FIG. 6

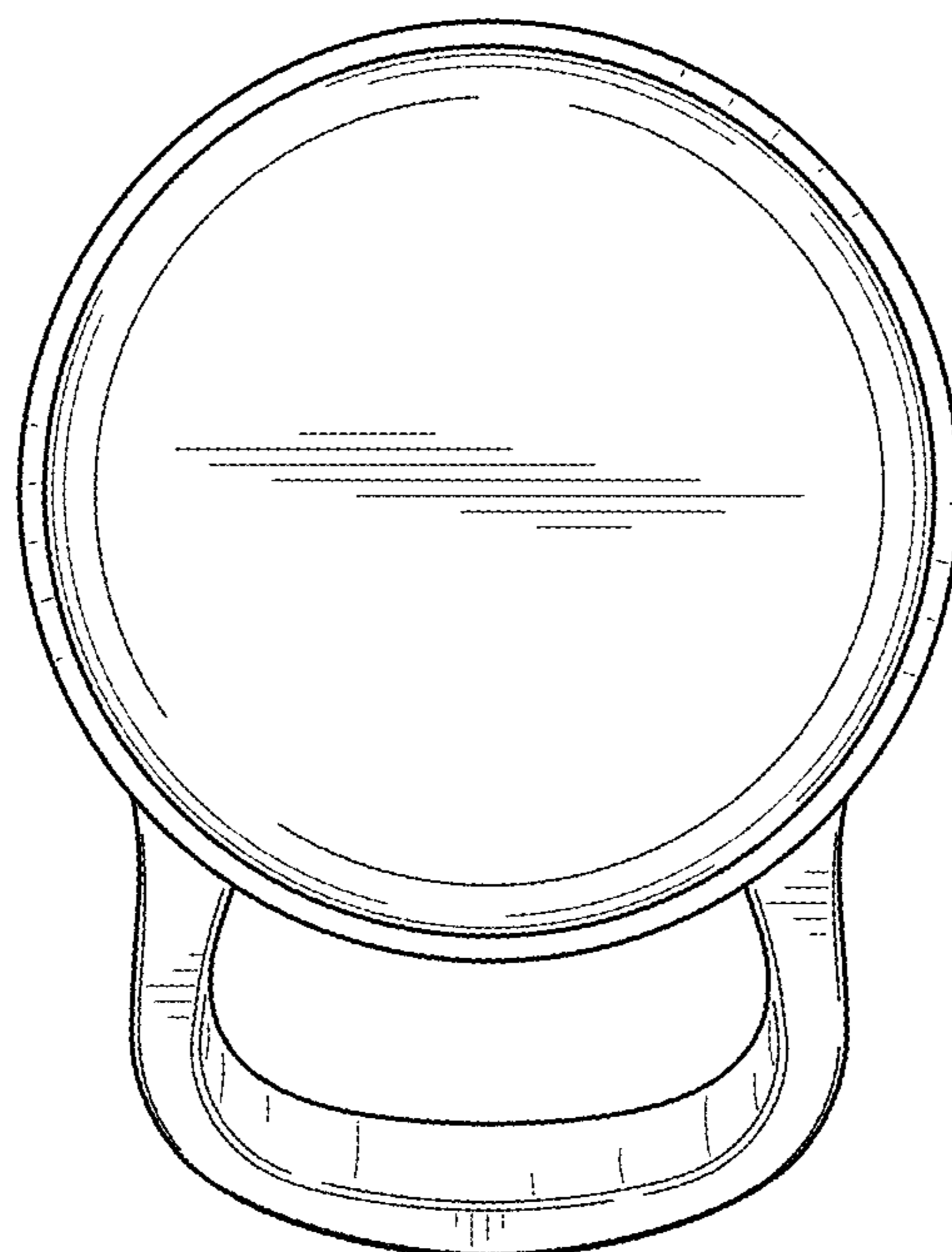


FIG. 7

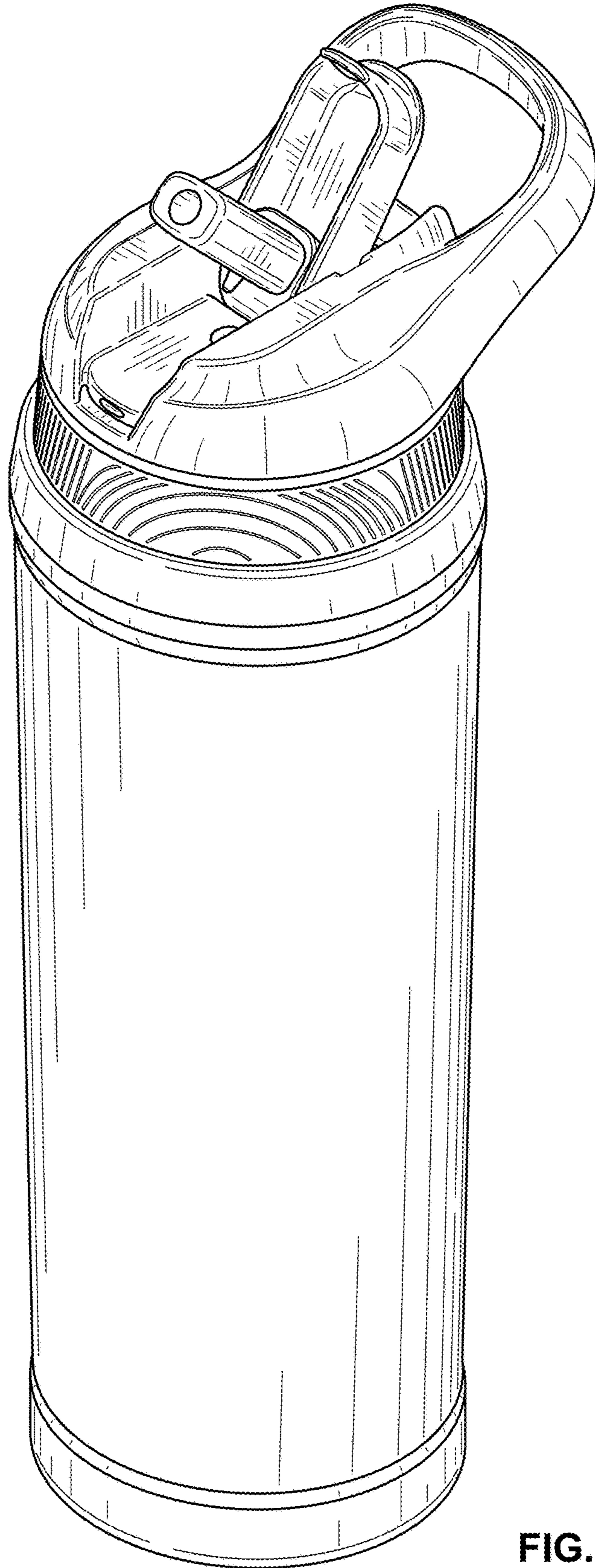


FIG. 8

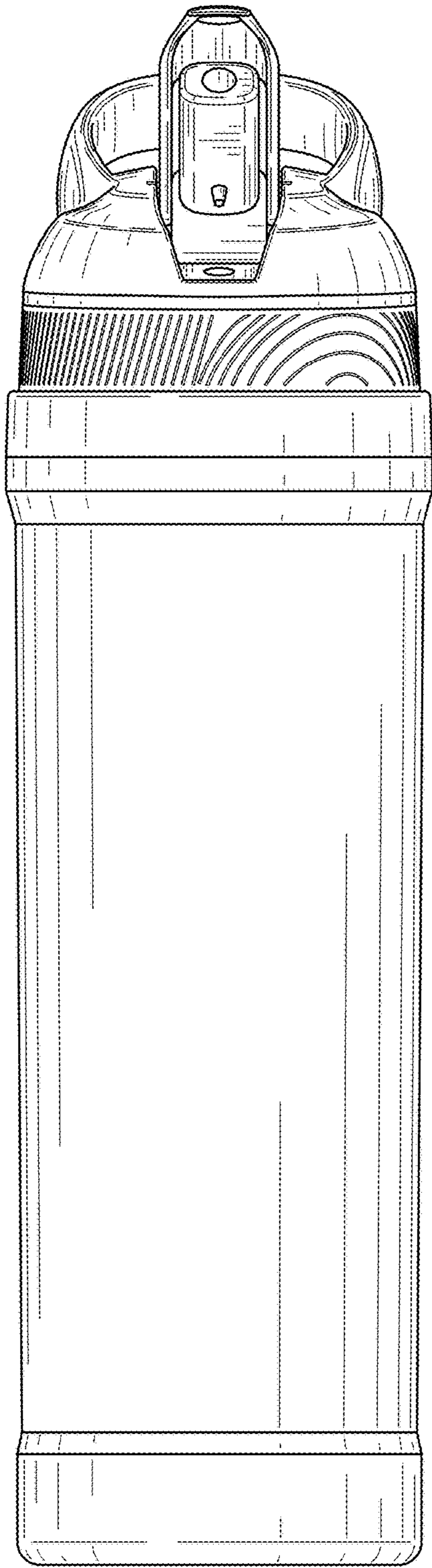


FIG. 9

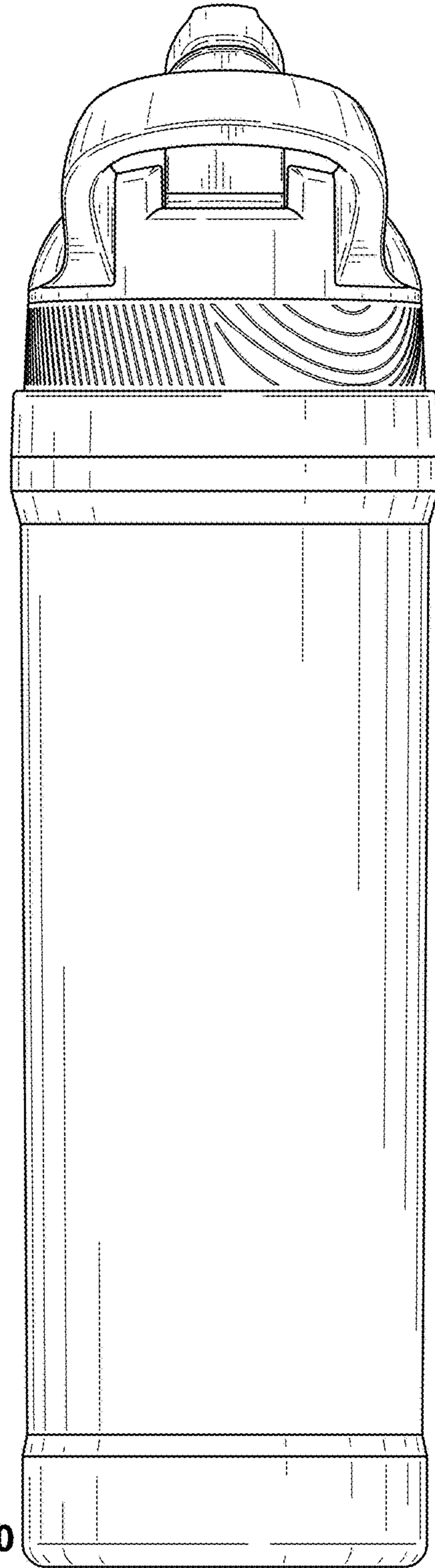


FIG. 10

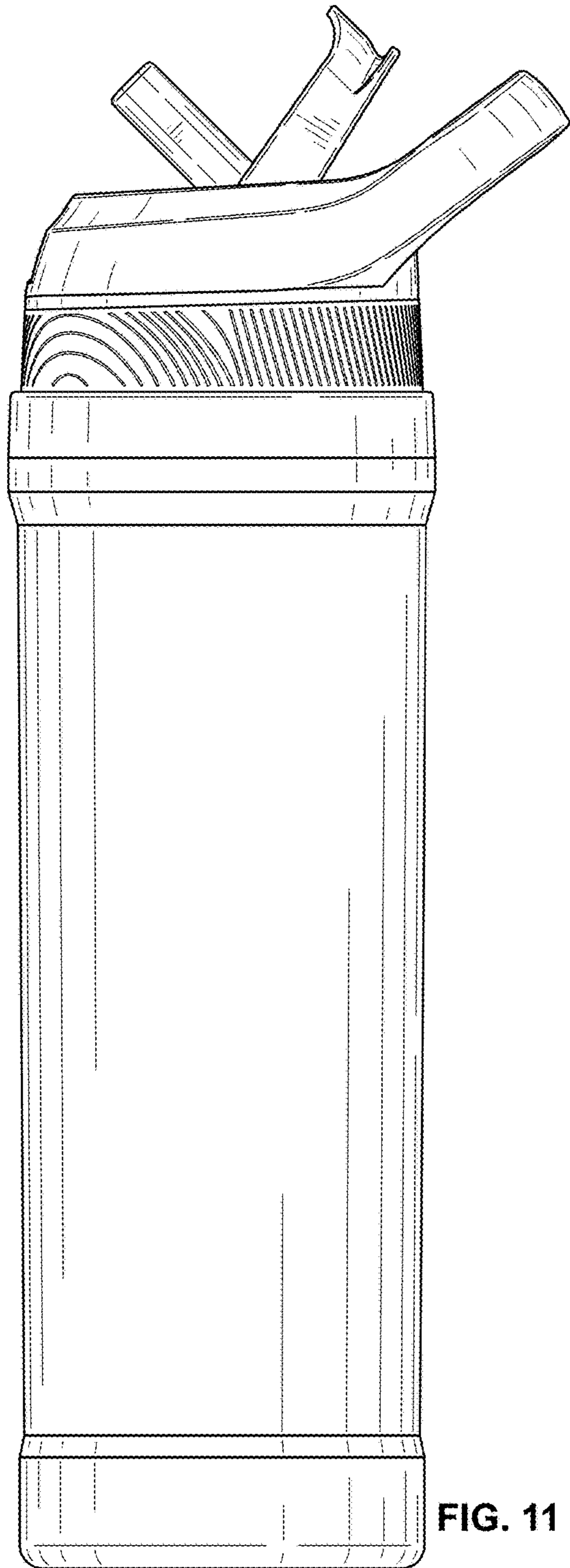


FIG. 11

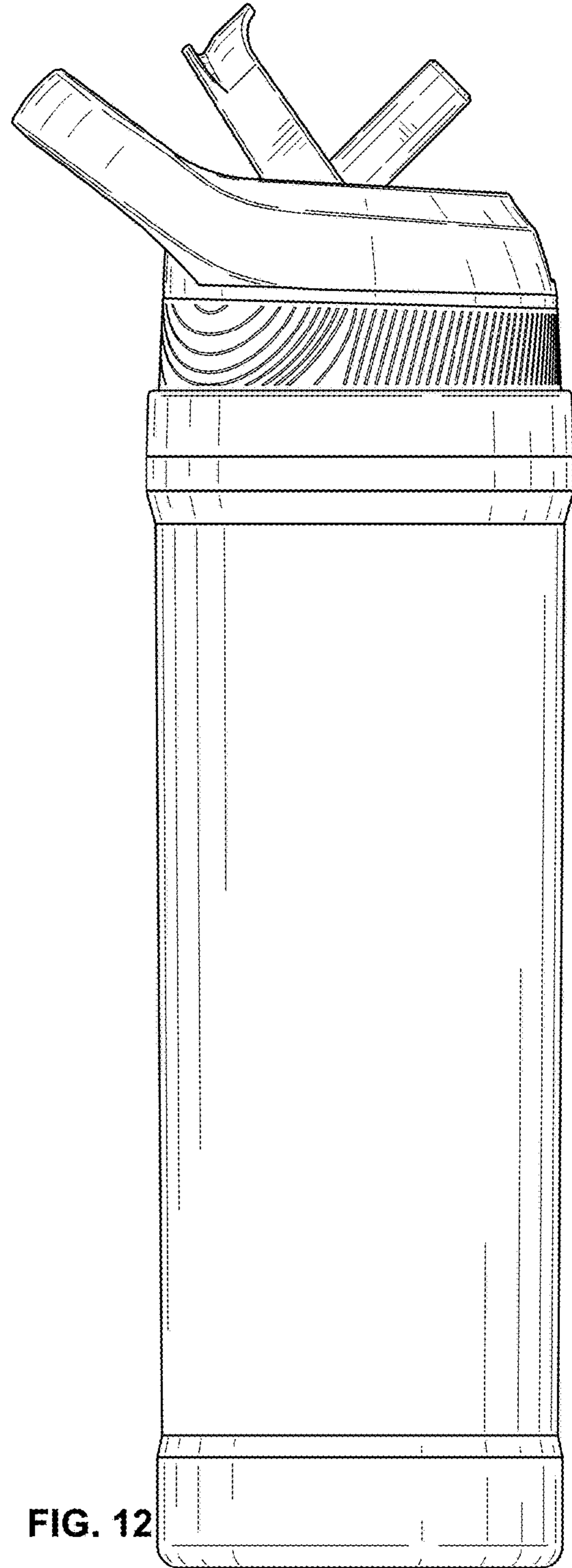


FIG. 12

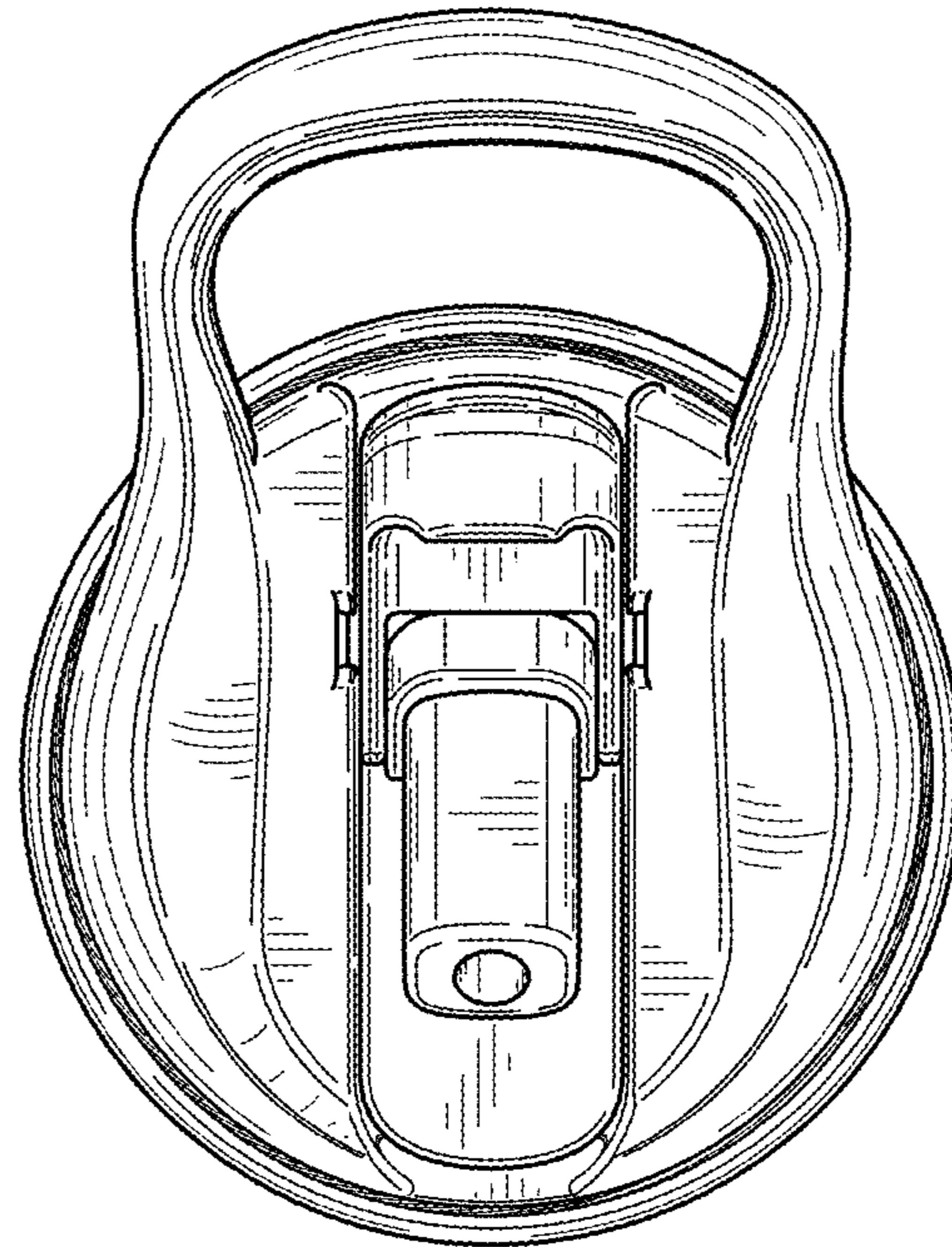


FIG. 13

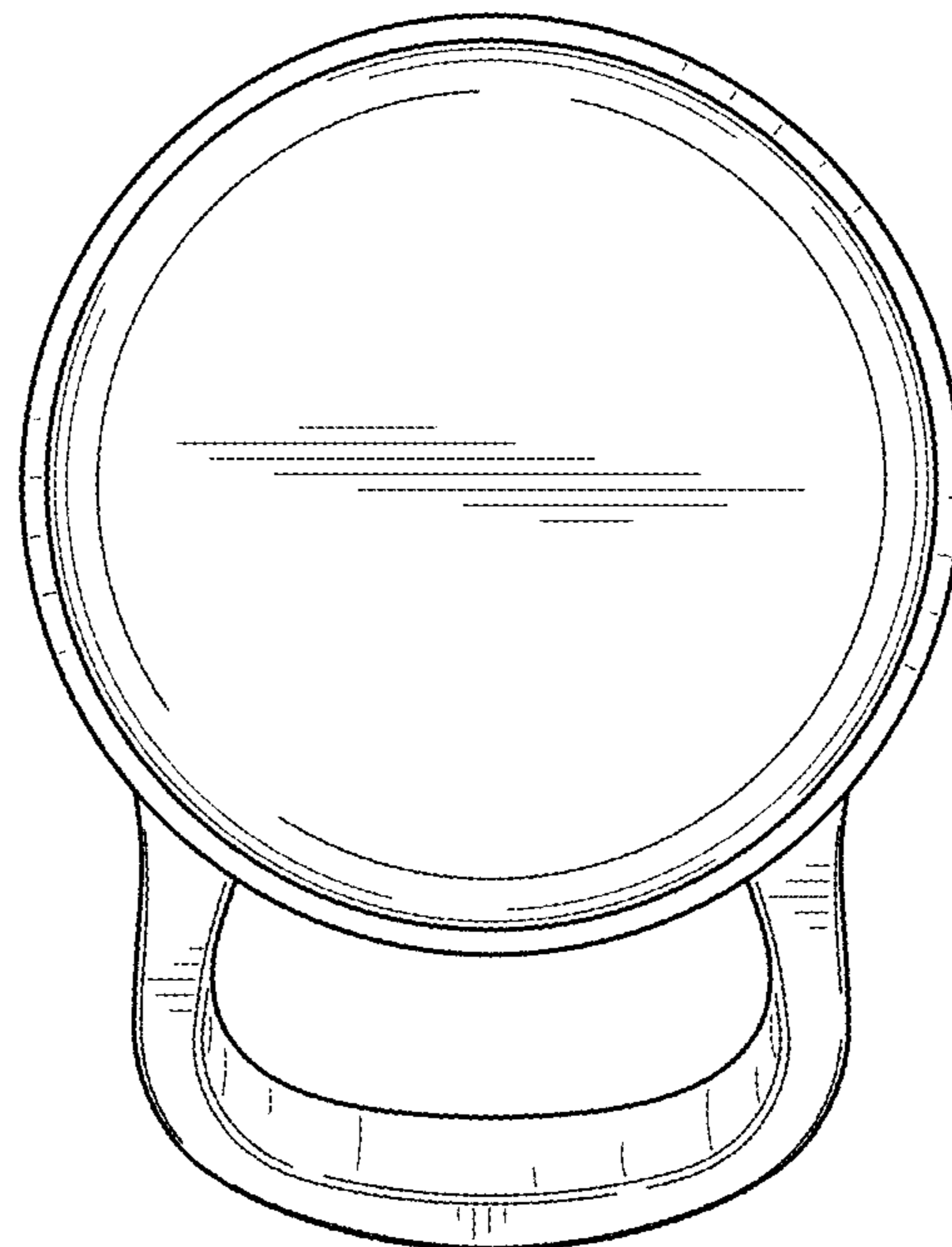


FIG. 14