



US00D818316S

(12) **United States Design Patent**  
**Disraeli**

(10) **Patent No.:** **US D818,316 S**

(45) **Date of Patent:** **\*\* May 22, 2018**

(54) **TACO HOLDER**

(71) Applicant: **Kanaloa Imports Inc.**, Oxnard, CA  
(US)

(72) Inventor: **Donald J. Disraeli**, Oxnard, CA (US)

(\*\*) Term: **15 Years**

(21) Appl. No.: **29/567,398**

(22) Filed: **Jun. 8, 2016**

(51) **LOC (11) Cl.** ..... **07-01**

(52) **U.S. Cl.**  
USPC ..... **D7/504**

(58) **Field of Classification Search**  
USPC ..... D7/704, 601, 637, 504, 641; D6/678.4,  
D6/566; D19/90; D9/433  
CPC .. A47J 47/16; A47J 36/12; A47J 45/02; A47F  
5/01; A47G 21/001; A47G 19/30; A47G  
21/14

See application file for complete search history.

(56) **References Cited**

**U.S. PATENT DOCUMENTS**

4,004,501	A *	1/1977	Guerrero	.....	A47G 19/30 220/23.8
4,858,863	A *	8/1989	Lin	.....	A47G 21/14 211/70.1
4,896,820	A *	1/1990	Harrington	.....	A47G 19/30 211/73
D336,014	S *	6/1993	Castro	.....	D7/504
D398,429	S *	9/1998	LeBlanc	.....	D9/433
6,273,278	B1 *	8/2001	Enyedy	.....	A47G 19/30 211/73
D675,065	S *	1/2013	Tarantino	.....	D7/601
D705,018	S *	5/2014	Liotta	.....	D7/601
D715,601	S *	10/2014	Elatrache	.....	D7/601
D758,807	S *	6/2016	Hepburn	.....	D7/637
D779,878	S *	2/2017	Marneweck	.....	D7/504
2003/0150825	A1 *	8/2003	Dickerson	.....	A47G 19/30 211/85.4

2005/0126946	A1 *	6/2005	Holley, Jr.	.....	B65D 71/20 D9/433
2012/0085769	A1 *	4/2012	Millet	.....	A47G 21/001 220/574
2015/0157154	A1 *	6/2015	Rothenberg	.....	A47G 21/14 248/37.3

\* cited by examiner

*Primary Examiner* — Susan Bennett Hattan

*Assistant Examiner* — Brett Miller

(74) *Attorney, Agent, or Firm* — Lathrop Gage LLP

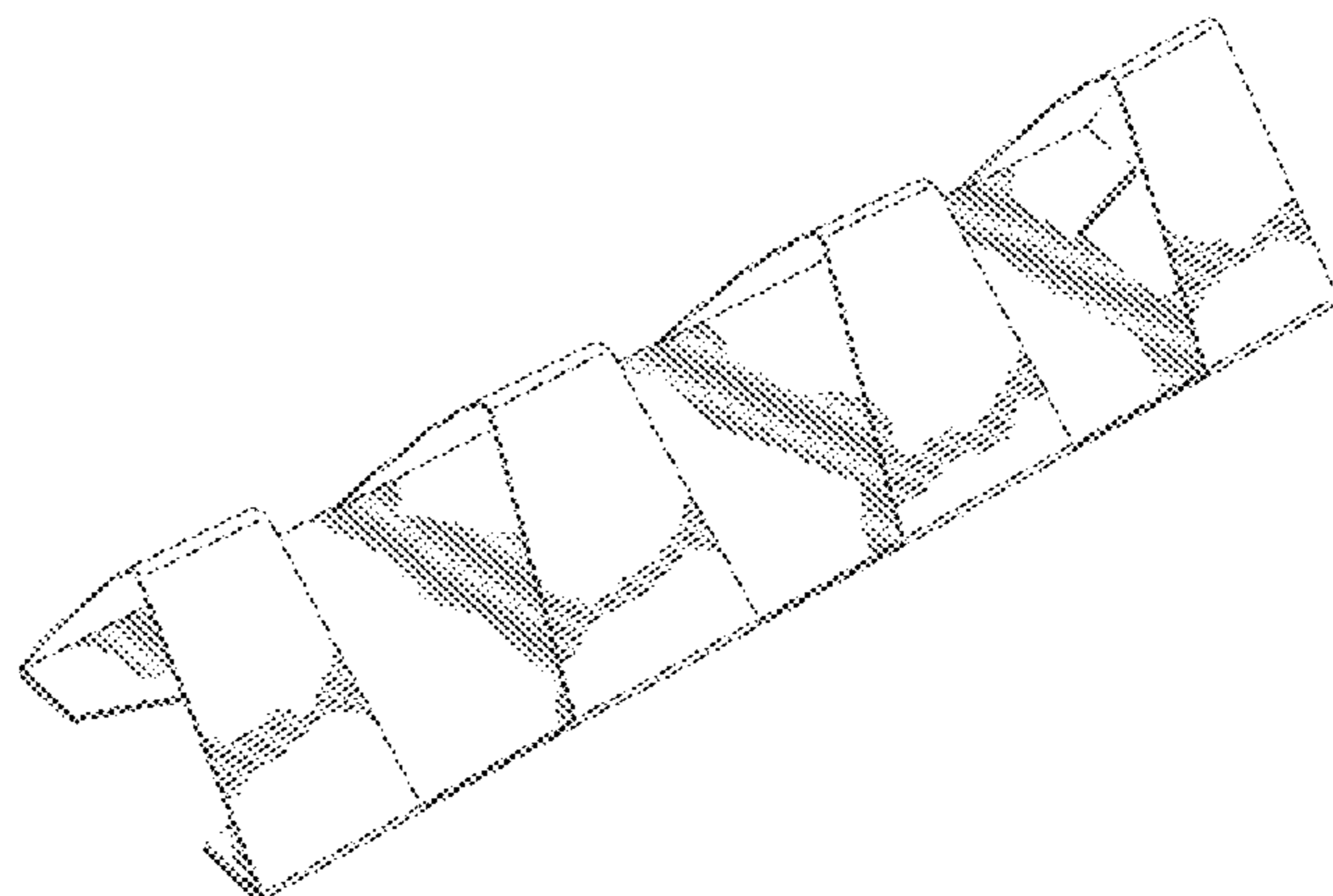
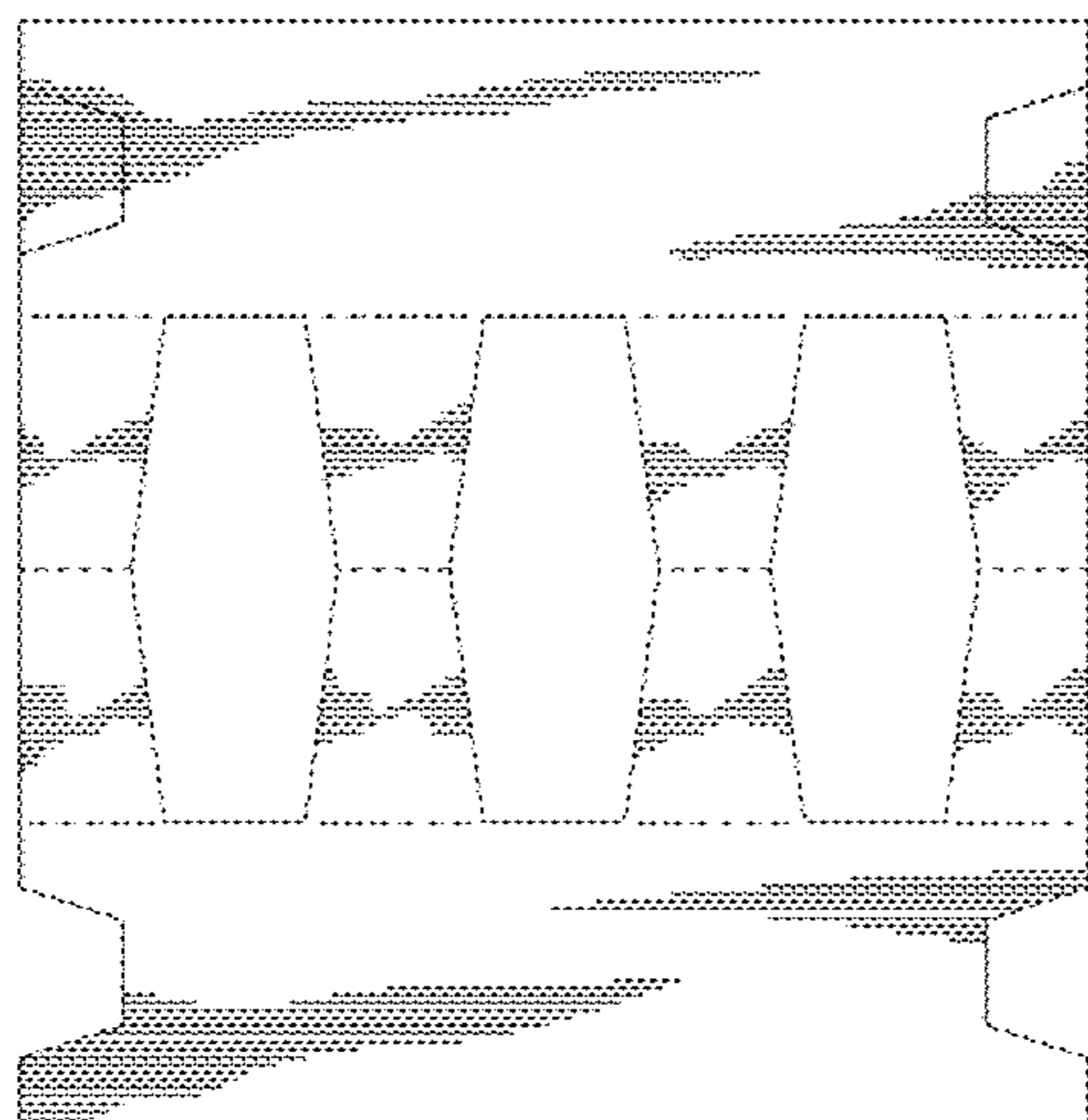
(57) **CLAIM**

The ornamental design for a taco holder, as shown and described.

**DESCRIPTION**

FIG. 1 is a top view of a taco holder in an unfolded configuration incorporating my new design;  
 FIG. 2 is a bottom view thereof;  
 FIG. 3 is a left side view thereof;  
 FIG. 4 is a right side view thereof;  
 FIG. 5 is a front view thereof;  
 FIG. 6 is a rear view thereof;  
 FIG. 6 is a bottom view thereof.  
 FIG. 7 is a top perspective view of the taco holder in a folded configuration;  
 FIG. 8 is a right side view thereof;  
 FIG. 9 is a left side view thereof;  
 FIG. 10 is a front view thereof;  
 FIG. 11 is a rear view thereof;  
 FIG. 12 is a top view thereof; and,  
 FIG. 13 is a bottom view thereof.  
 The broken lines in the drawings depict portions of the taco holder that form no part of the claim.

**1 Claim, 10 Drawing Sheets**



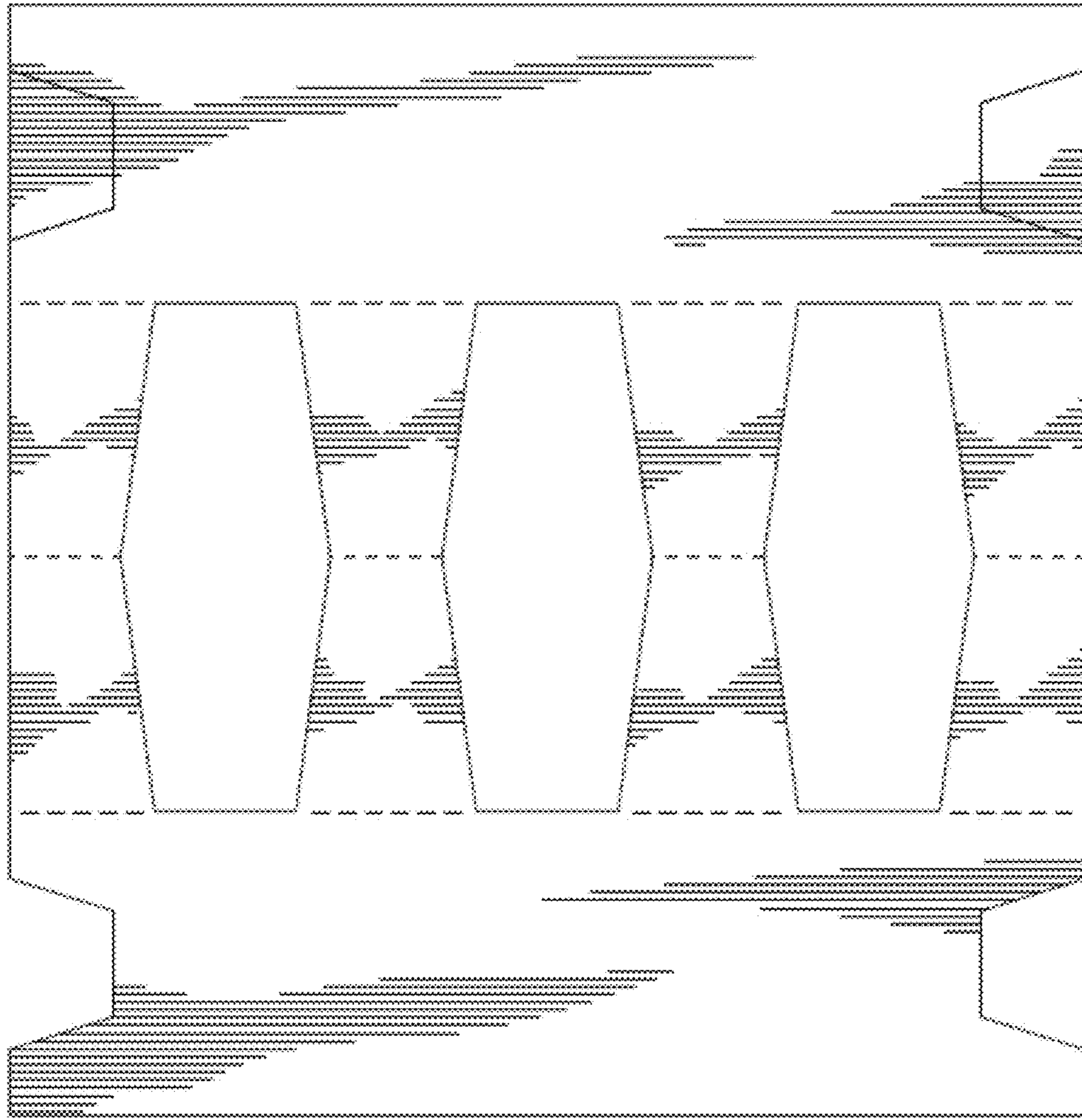


FIG. 1

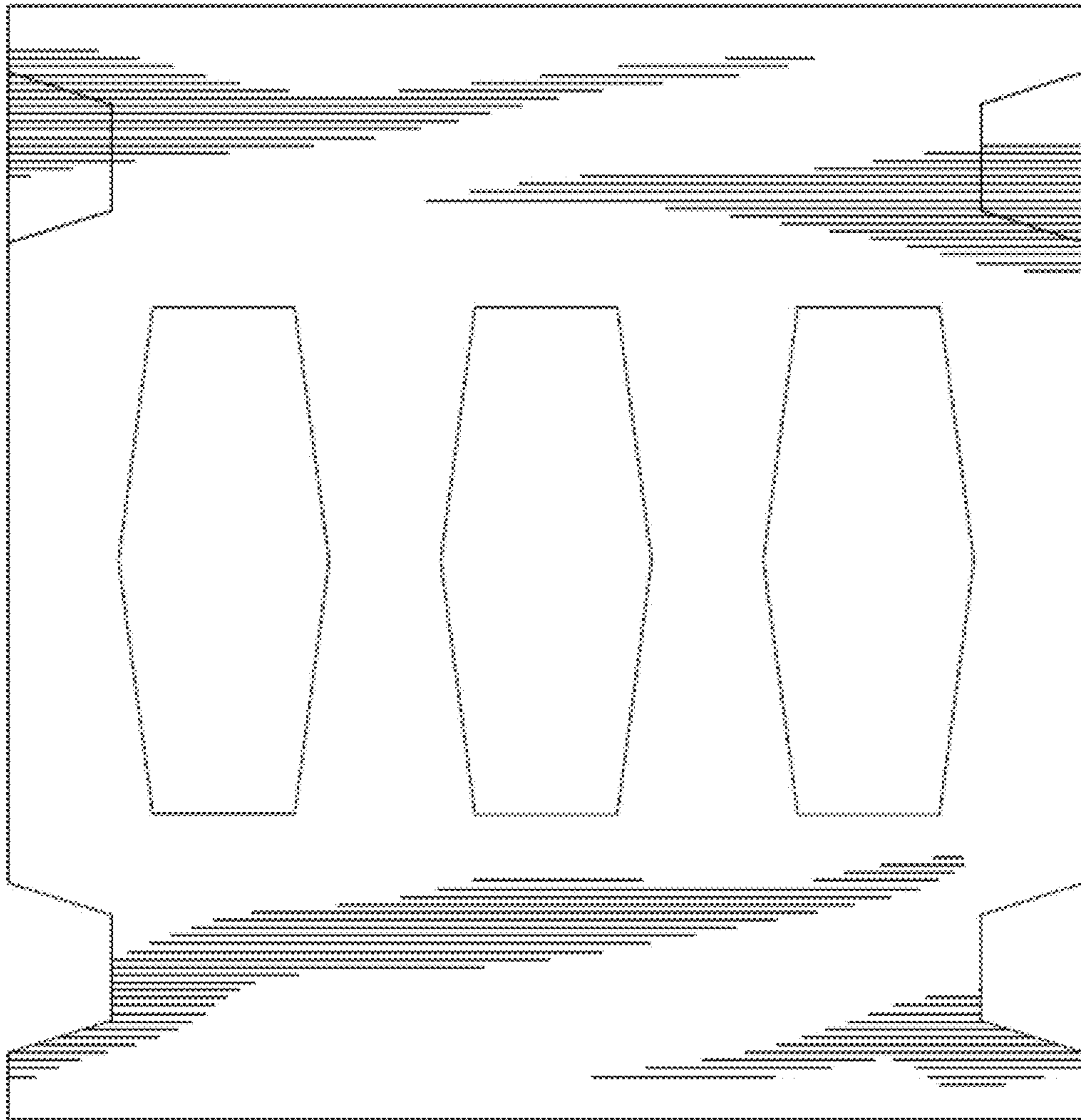


FIG. 2



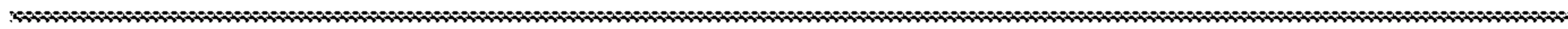
FIG. 3



FIG. 4



**FIG.5**



**FIG.6**



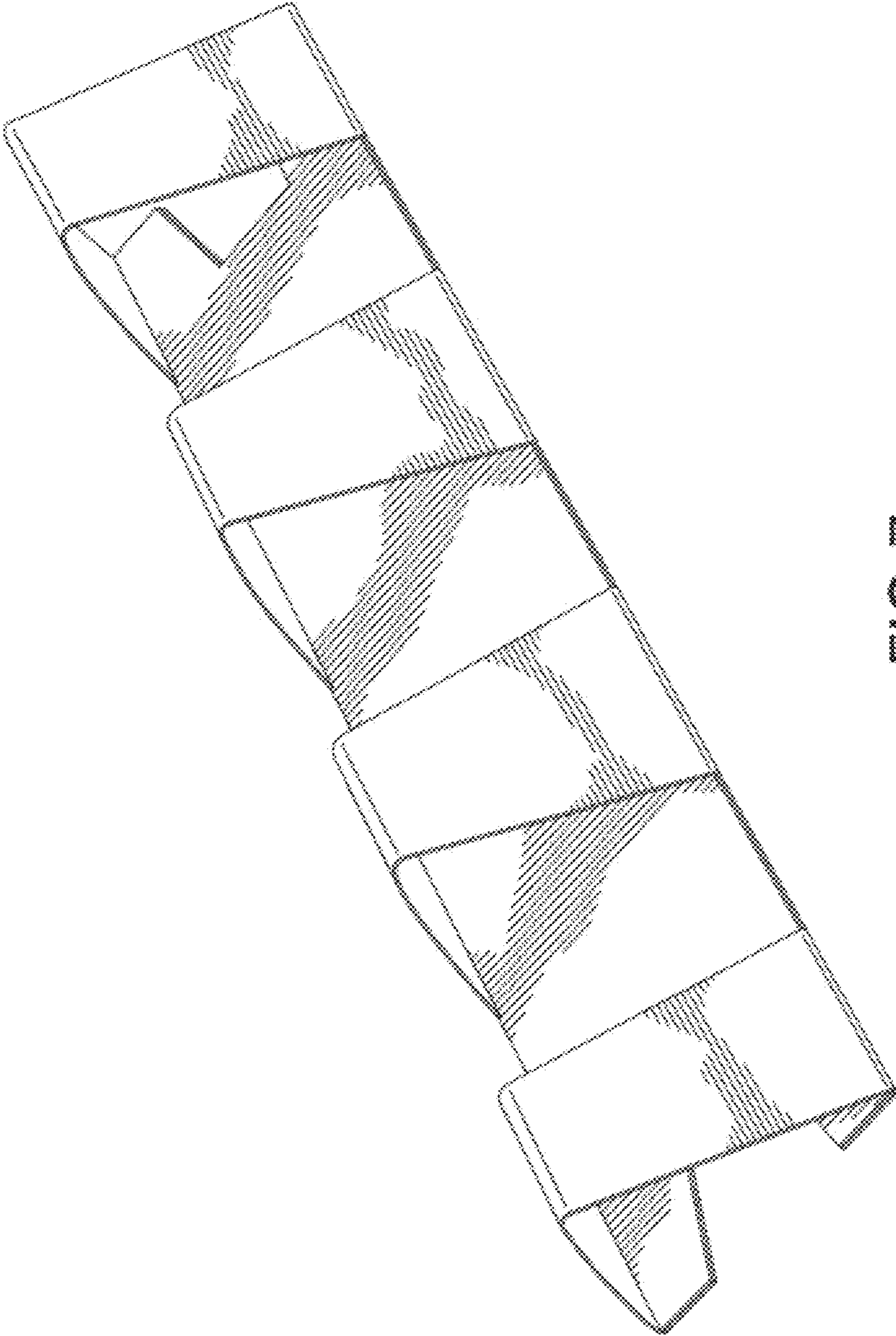


FIG.7

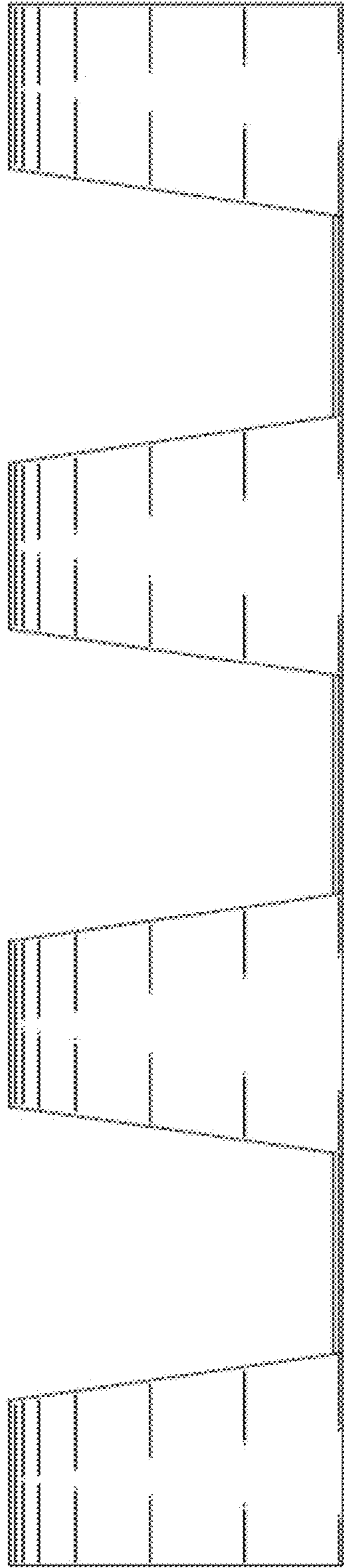


FIG. 8

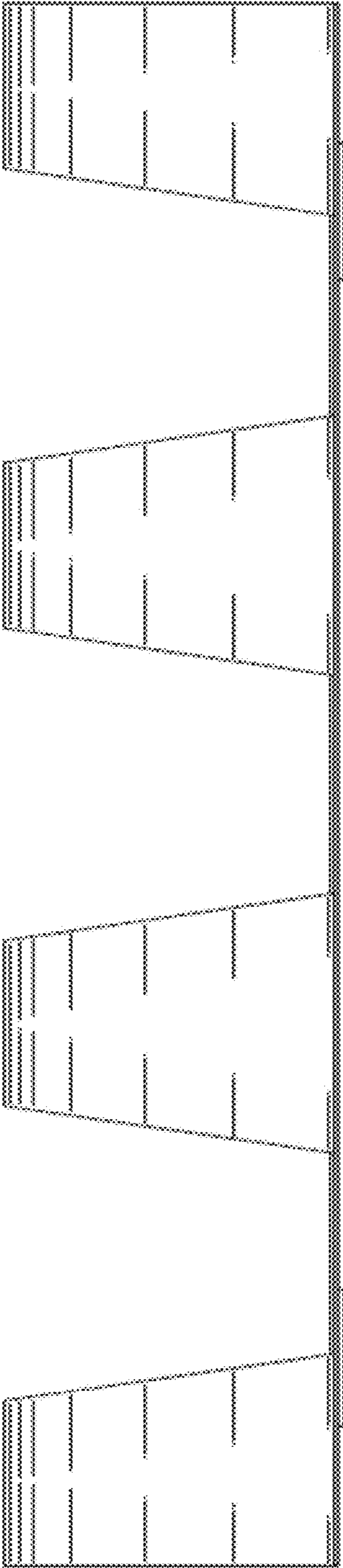


FIG. 9



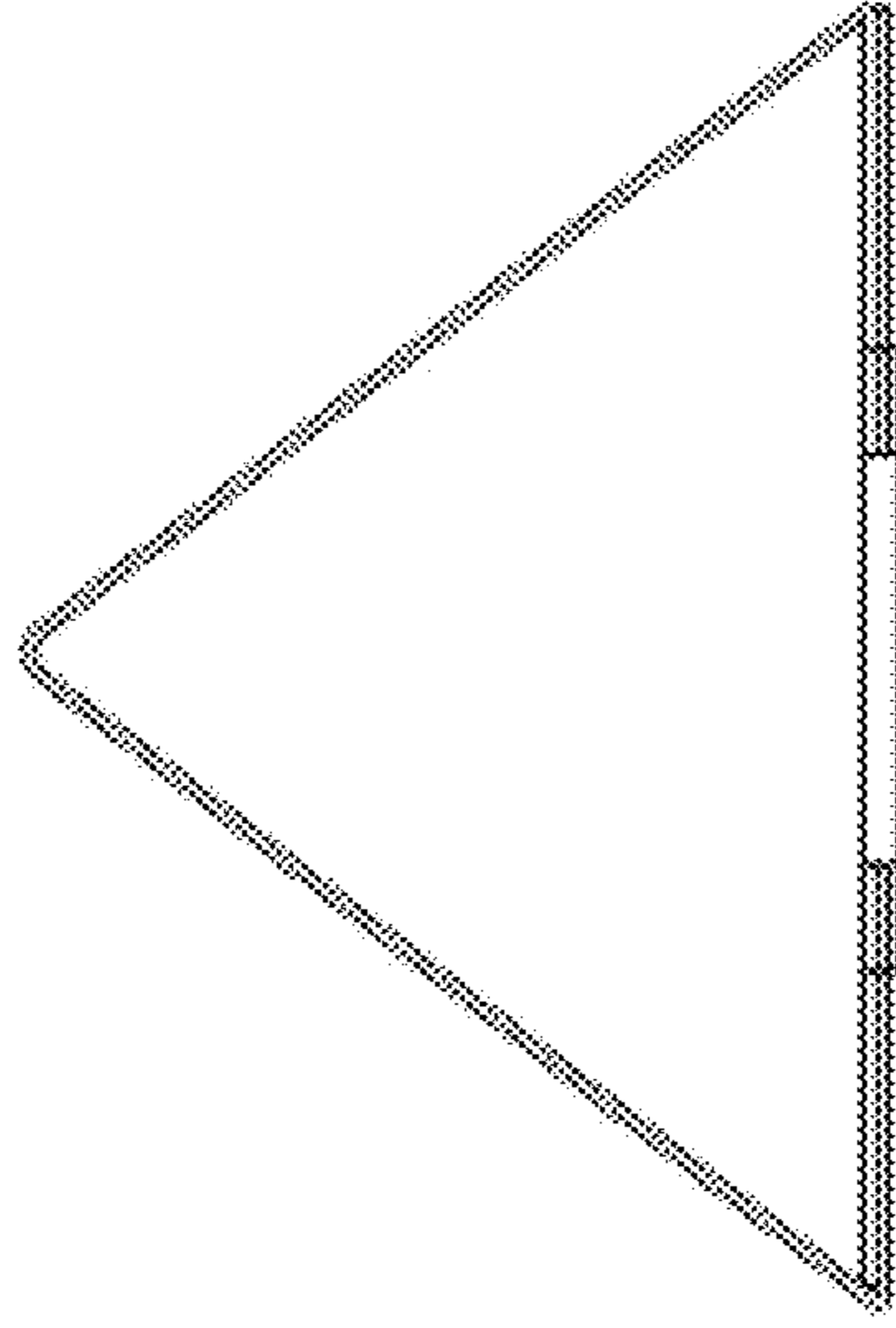


FIG. 11

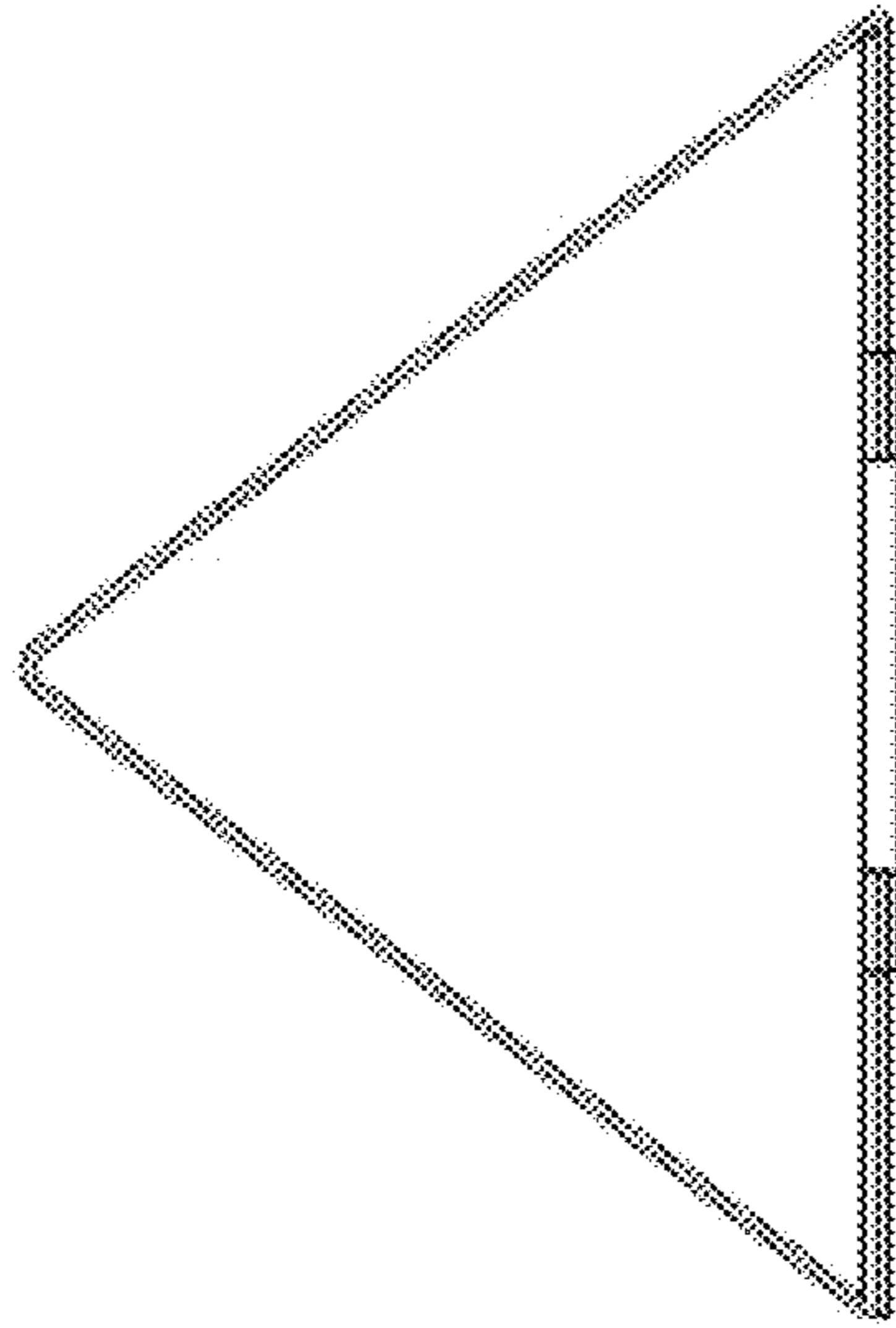


FIG. 10

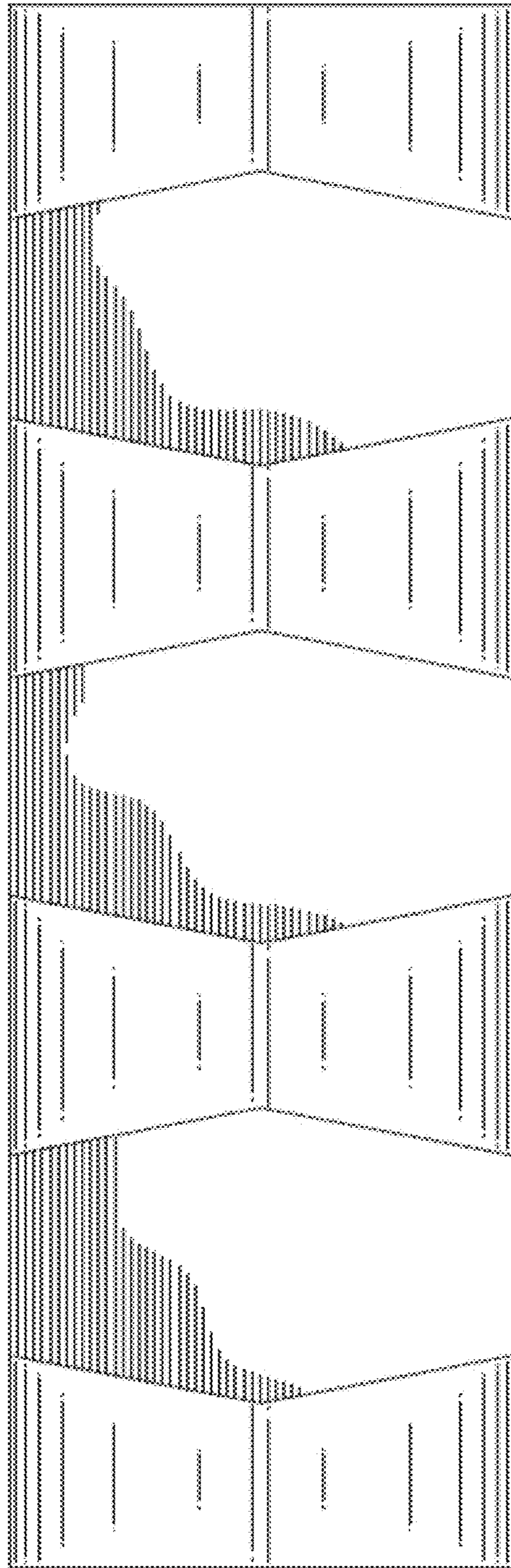


FIG. 12

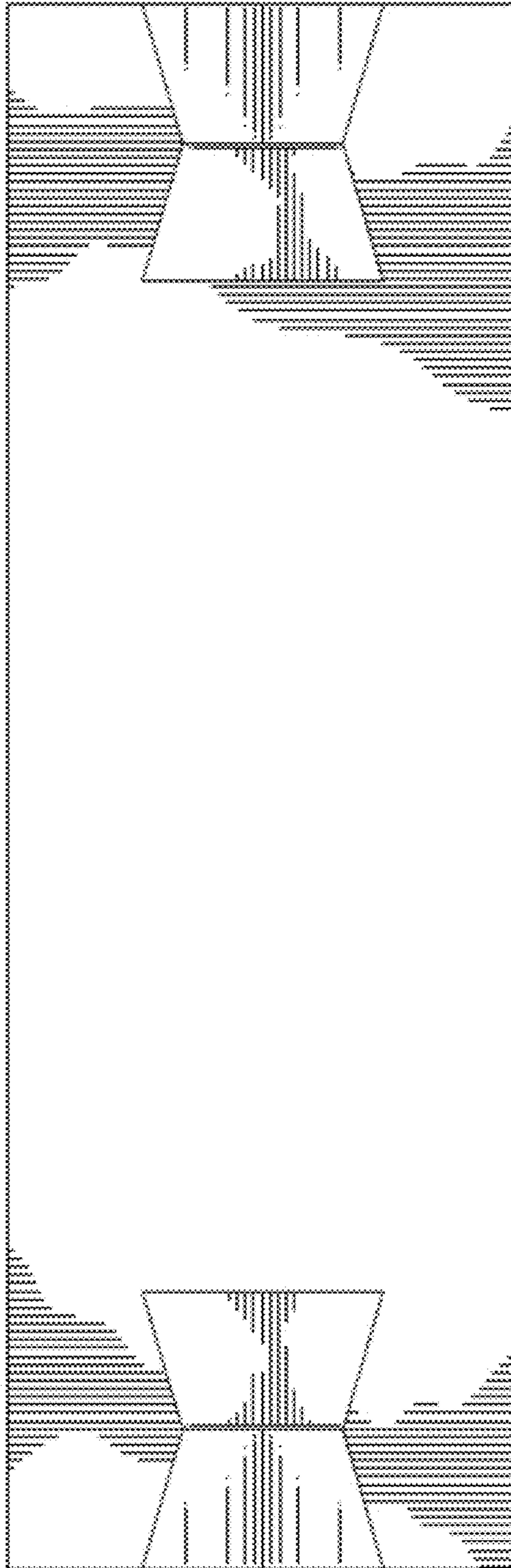


FIG. 13