



US00D818314S

(12) **United States Design Patent** (10) **Patent No.:** **US D818,314 S**
Chen et al. (45) **Date of Patent:** **** May 22, 2018**

(54) **KNIFE HANDLE**
(71) Applicants: **Kuo-Chang Chen**, Tainan (TW);
Chun-Yen Tsao, Tainan (TW)
(72) Inventors: **Kuo-Chang Chen**, Tainan (TW);
Chun-Yen Tsao, Tainan (TW)
(73) Assignee: **Kuo-Chang Chen**, Tainan (TW)
(**) Term: **15 Years**
(21) Appl. No.: **29/570,064**
(22) Filed: **Jul. 5, 2016**
(51) **LOC (11) Cl.** **07-03**
(52) **U.S. Cl.**
USPC **D7/401.2; D7/649**
(58) **Field of Classification Search**
USPC D4/138; D7/393-395, 401.2, 642-652,
D7/693, 695-696; D8/93, 97-100, 107,
D8/300, 321; D22/117-118; D32/51
CPC A01B 1/20; A01B 1/22; A22C 25/006;
A47G 21/06; A47G 21/065; A61B
17/3211; A61B 17/3213; B21D 53/64;
B25G 3/36; B26B 1/00; B26B 1/08;
B26B 1/10; B26B 3/00; B26B 3/02;
B26B 3/03; B26B 3/04; B26B 3/06;
B26B 5/00; B26B 5/001; B26B 5/007;
B26B 7/00; B26B 7/005; B26B 9/00;
B26B 9/02; B26B 11/00; B26B 11/006;
B26B 29/02
See application file for complete search history.

(56) **References Cited**
U.S. PATENT DOCUMENTS
D329,185 S * 9/1992 Hasegawa D8/107
D411,780 S * 7/1999 Muller D7/395

D420,887 S * 2/2000 Chen D7/395
D427,044 S * 6/2000 White D7/393
D482,874 S * 12/2003 Dotterman D4/138
D575,522 S * 8/2008 Libman D4/131
D581,244 S * 11/2008 Berti D8/107
D650,218 S * 12/2011 Loaiza D7/395
D682,067 S * 5/2013 Tillet D8/107
D694,072 S * 11/2013 Qin D7/649
D698,112 S * 1/2014 Molinet D32/51
D751,861 S * 3/2016 Yamada D7/401.2

* cited by examiner

Primary Examiner — Ricky Pham
(74) *Attorney, Agent, or Firm* — Tutunjian & Bitetto, P.C.

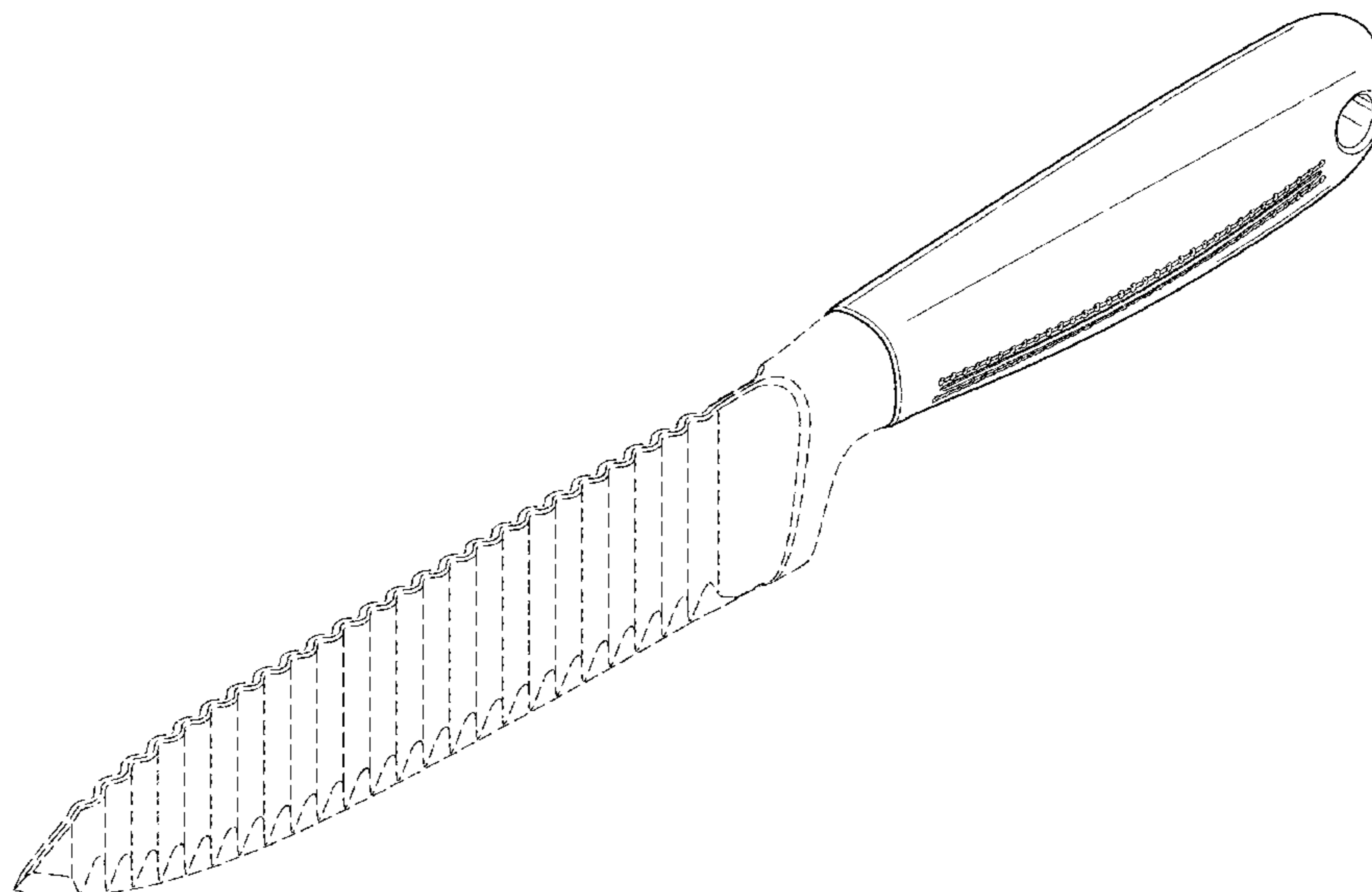
(57) **CLAIM**

The ornamental design for a knife handle, as shown and described.

DESCRIPTION

FIG. 1 is a perspective view of the knife handle showing our new design;
FIG. 2 is another perspective view thereof;
FIG. 3 is a left side view thereof;
FIG. 4 is a right side view thereof;
FIG. 5 is a top view thereof;
FIG. 6 is a bottom view thereof;
FIG. 7 is a front view thereof;
FIG. 8 is a rear view thereof; and,
FIG. 9 is a perspective view thereof.
The broken lines in the drawings are for illustrative purposes only and do not form any part of the claimed design.

1 Claim, 4 Drawing Sheets



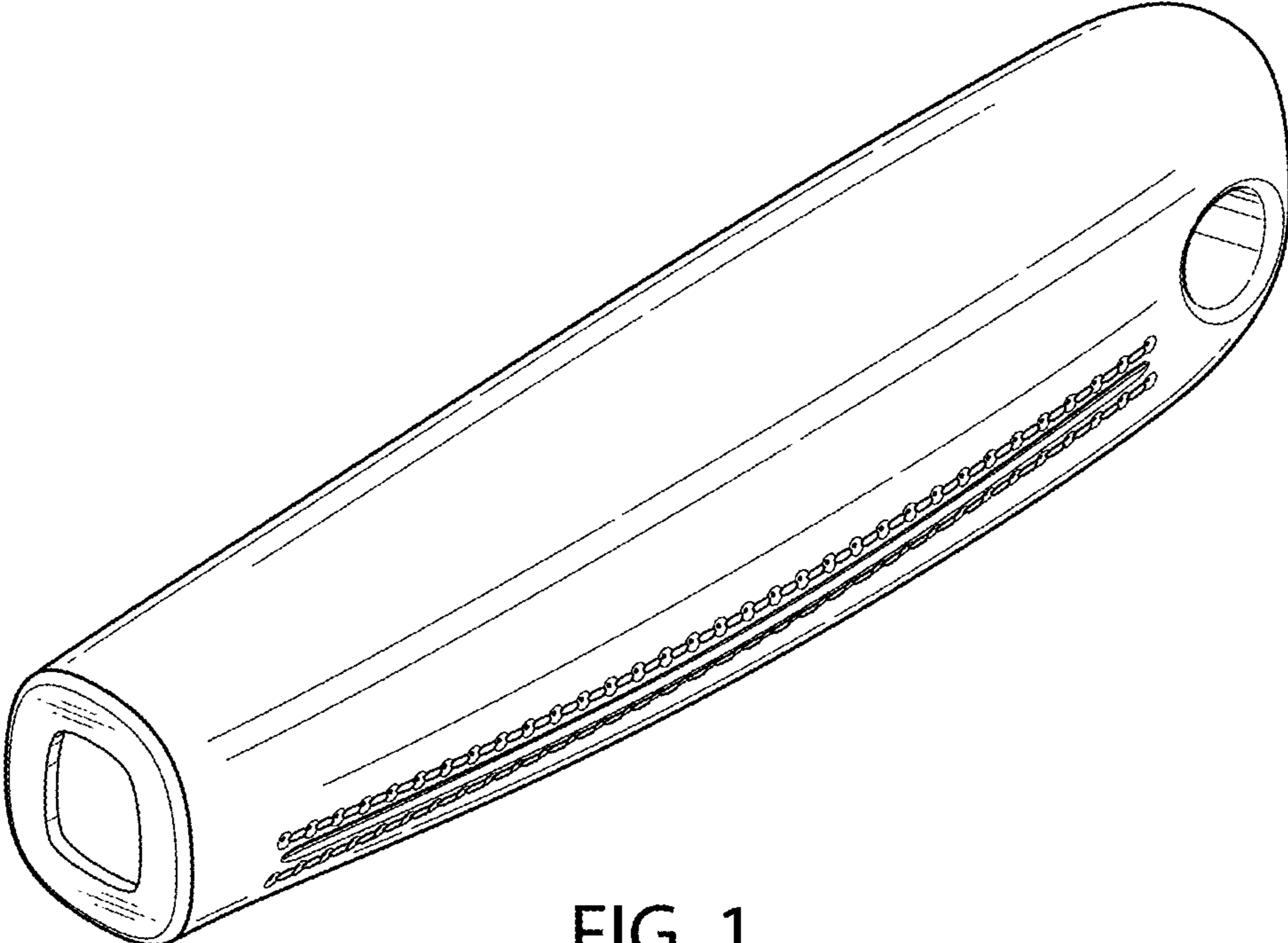


FIG. 1

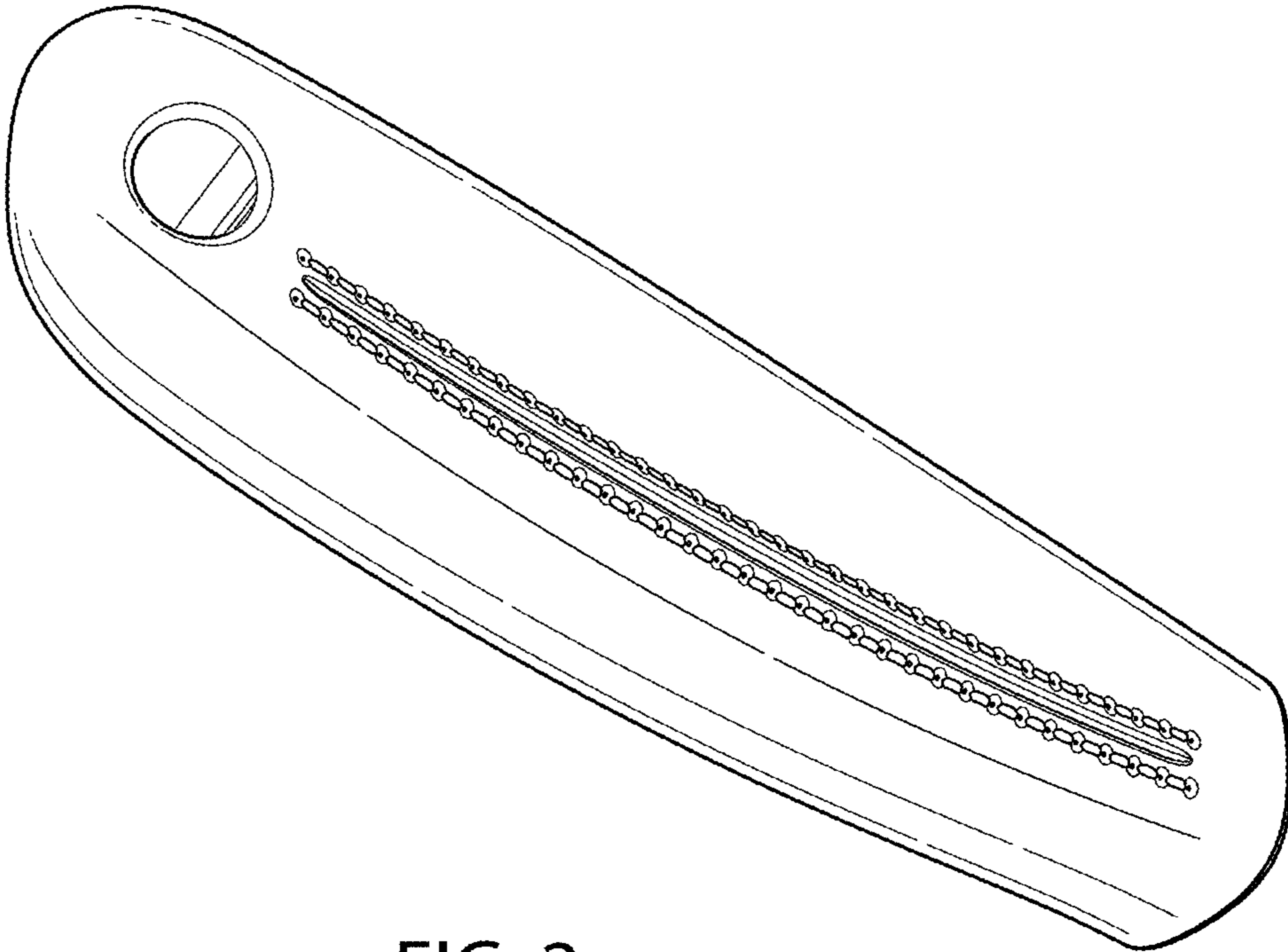


FIG. 2

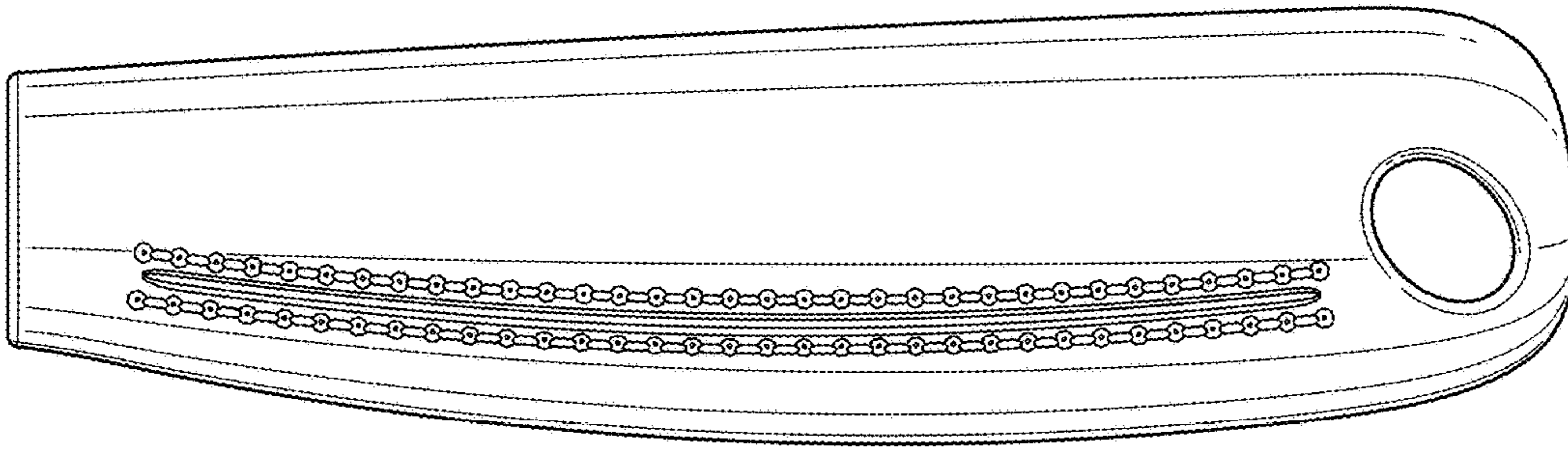


FIG. 3

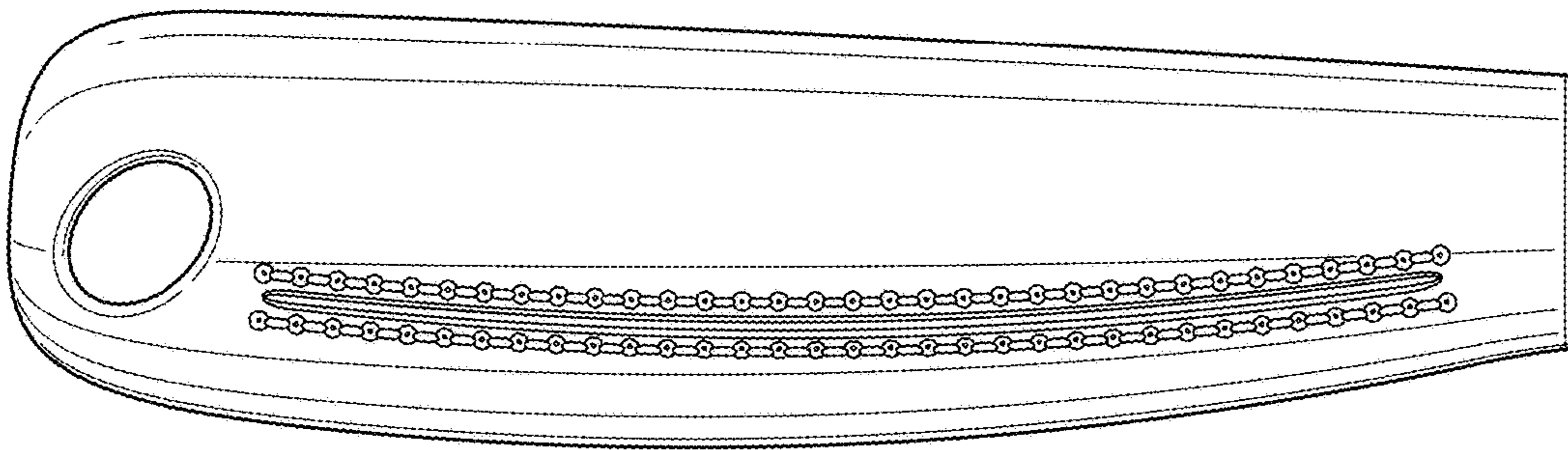


FIG. 4

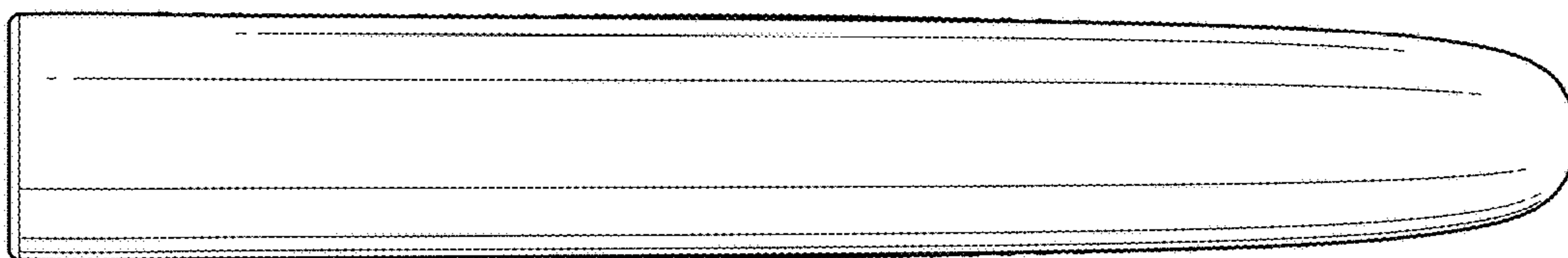


FIG. 5

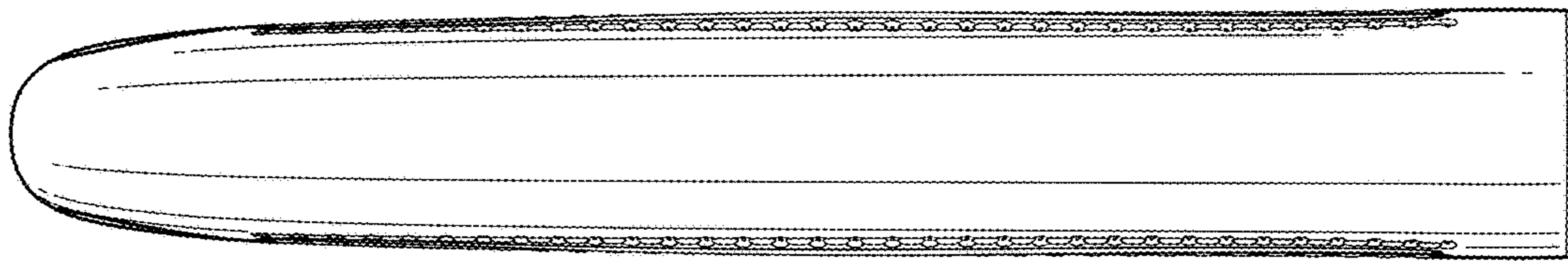


FIG. 6

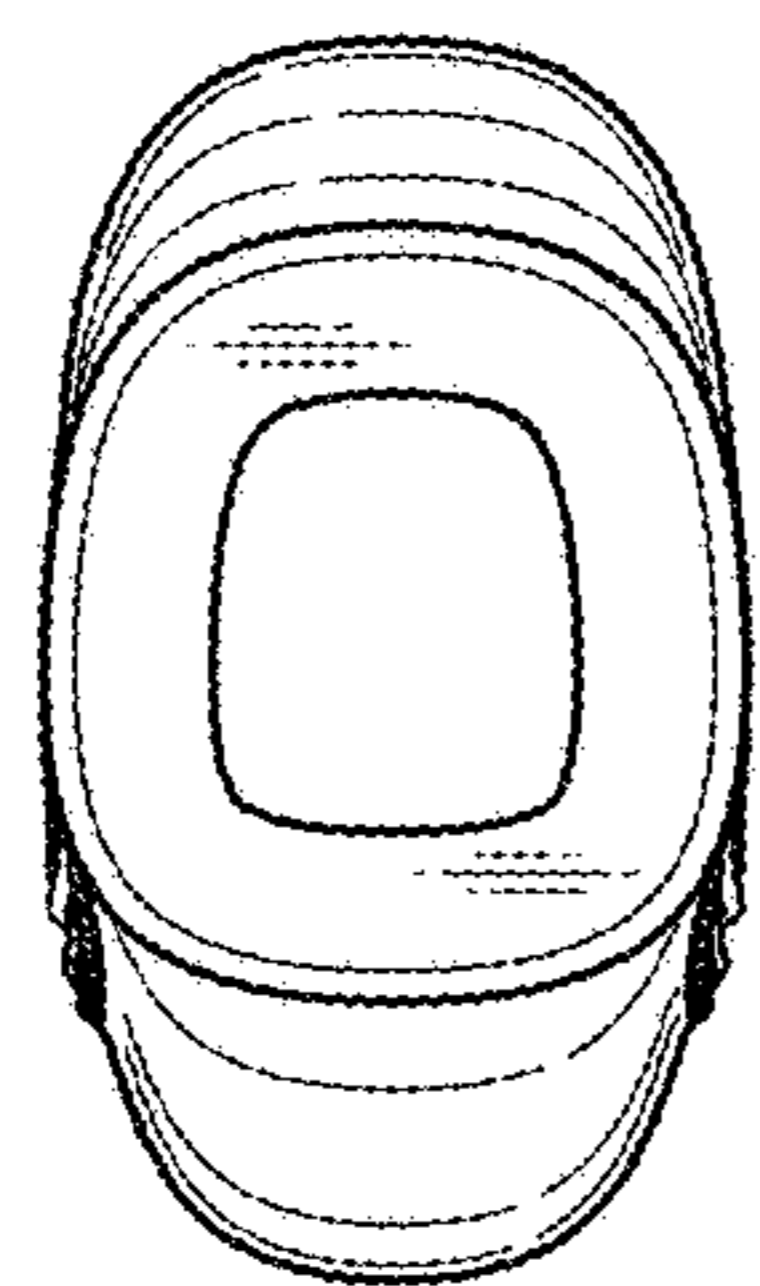


FIG. 7

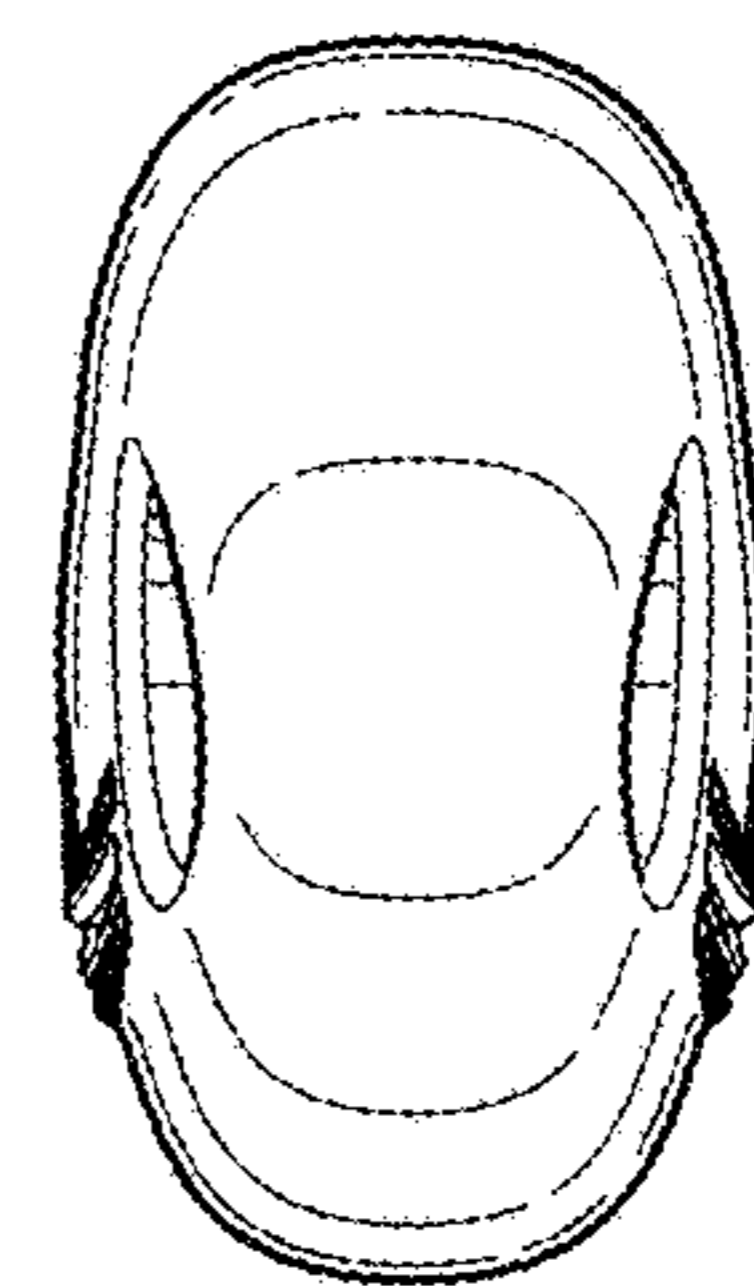


FIG. 8

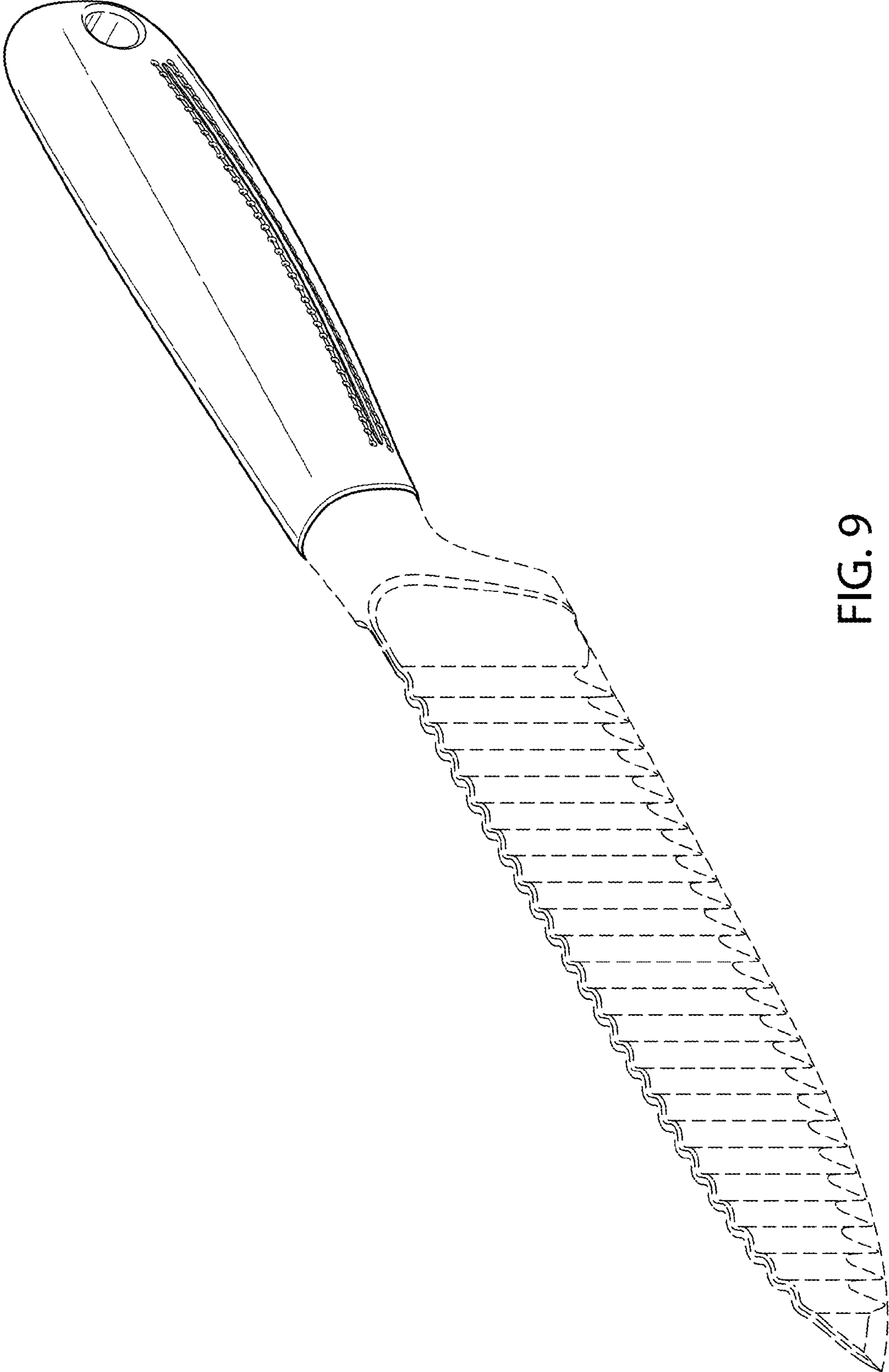


FIG. 9