



US00D818313S

(12) **United States Design Patent**
Joseph

(10) **Patent No.:** **US D818,313 S**
(45) **Date of Patent:** **** May 22, 2018**

(54) **INFUSING SPOON**
(71) Applicant: **JOSEPH JOSEPH LTD.**, London (GB)
(72) Inventor: **Antony Joseph**, London (GB)
(73) Assignee: **JOSEPH JOSEPH LTD.**, London (GB)

1,247,906 A * 11/1917 Tully B65D 85/808
426/84
1,648,906 A * 11/1927 Lubrano A47G 19/16
294/26.5
1,677,120 A * 7/1928 Rudin A47J 43/281
210/359
2,092,510 A * 9/1937 Haut A47G 21/004
100/125
2,117,876 A * 5/1938 Echternach B21D 53/62
210/471

(**) Term: **15 Years**
(21) Appl. No.: **29/577,283**
(22) Filed: **Sep. 12, 2016**

(Continued)
Primary Examiner — Marianne Pandozzi
(74) *Attorney, Agent, or Firm* — Millen, White, Zelano, Branigan, P.C.

(30) **Foreign Application Priority Data**

Mar. 11, 2016 (EM) 003024561-0005

(51) **LOC (11) Cl.** **07-99**

(52) **U.S. Cl.**
USPC **D7/400; D7/667; D7/668**

(58) **Field of Classification Search**
USPC D7/400, 653, 399, 647, 667, 668;
99/287, 323; D9/629, 428, 503, 416;
30/326, 325

CPC A47G 19/16; A47G 21/04; A47J 23/28
See application file for complete search history.

(56) **References Cited**

U.S. PATENT DOCUMENTS

211,233 A * 1/1879 Friedly A47J 43/281
30/325
453,972 A * 6/1891 Gray A47J 31/02
30/325
829,652 A * 8/1906 Johnson A47L 15/4445
206/0.5
880,190 A * 2/1908 Von
Bultzingslowen A47J 31/02
30/326
1,044,869 A * 11/1912 Emmenegger A47J 43/281
210/470

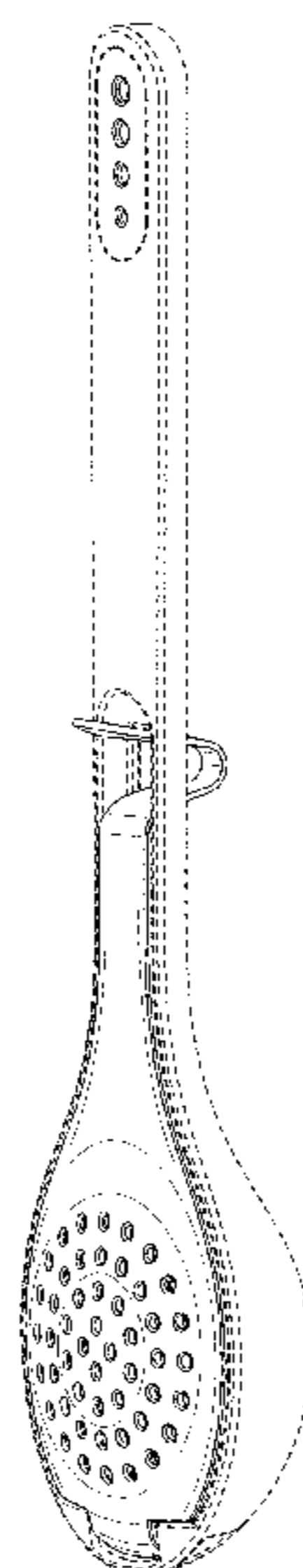
(57) **CLAIM**

The ornamental design for a infusing spoon, as shown and described.

DESCRIPTION

FIG. 1 is a perspective view of an infusing spoon showing my new design;
FIG. 2 is front view thereof.
FIG. 3 is a back view thereof.
FIG. 4 is side view thereof.
FIG. 5 is another side view thereof.
FIG. 6 is a top view thereof.
FIG. 7 is a bottom view thereof.
FIG. 8 is a front perspective view thereof in an open confirmation.
FIG. 9 is a front view thereof in an open confirmation.
FIG. 10 is a back view thereof in an open confirmation.
FIG. 11 is a side view thereof in an open confirmation.
FIG. 12 is another side view thereof in an open confirmation.
FIG. 13 is a top view thereof in an open confirmation; and,
FIG. 14 is a bottom view thereof in an open confirmation.
The broken lines in the drawing depict portions of the infusing spoon that form no part of the claimed design.

1 Claim, 14 Drawing Sheets



(56)

References Cited

U.S. PATENT DOCUMENTS

D140,264 S *	2/1945	Farber	D7/647	4,314,724 A *	2/1982	Barna	A47G 19/16
2,570,521 A *	10/1951	Chester	G01F 19/002					294/99.2
				99/323	D264,171 S *	5/1982	Velasco	D7/647
2,796,992 A *	6/1957	Perrin	A47J 43/284	4,338,338 A *	7/1982	Popkes	A47G 21/004
				210/471					426/110
3,154,418 A *	10/1964	Lovell	A47G 21/004	D296,644 S *	7/1988	Stevens	D7/667
				206/0.5	D394,588 S *	5/1998	Joergensen	D7/668
3,354,812 A *	11/1967	Gorton, Jr.	A47G 19/16	D439,799 S *	4/2001	Kwok	D7/400
				99/323	D440,115 S *	4/2001	Kennedy, III	D7/400
3,755,895 A *	9/1973	Claasen	A47G 19/16	D506,633 S *	6/2005	Dick-Read	D7/300.2
				30/326	7,077,054 B1 *	7/2006	Hurlock	A47G 19/16
3,946,652 A *	3/1976	Gorin	A47G 19/16					210/465
				426/77	D536,934 S *	2/2007	Huber	D7/653
4,043,039 A *	8/1977	Goetze, Jr.	A47J 43/283	7,836,821 B2 *	11/2010	Smith	A01K 31/02
				30/325					119/495
					D629,263 S *	12/2010	Pico	D7/653
					D728,320 S *	5/2015	Davila	D7/647
					D746,106 S *	12/2015	Chan	D7/399

* cited by examiner

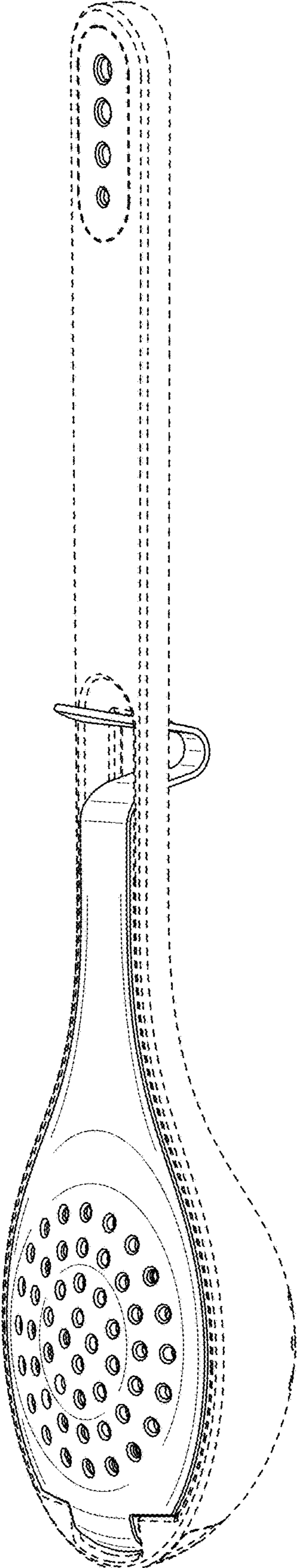


FIG. 1

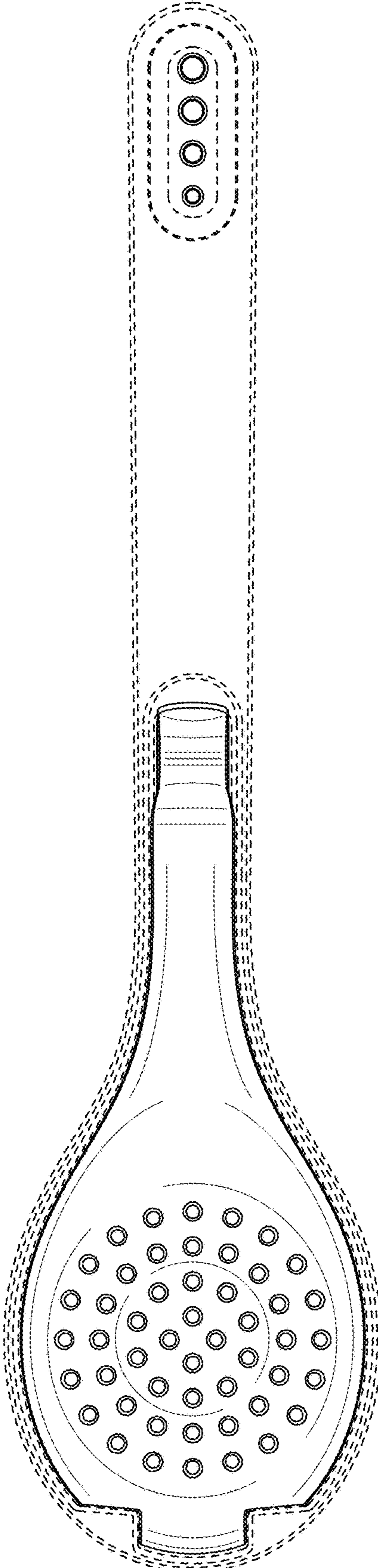


FIG. 2

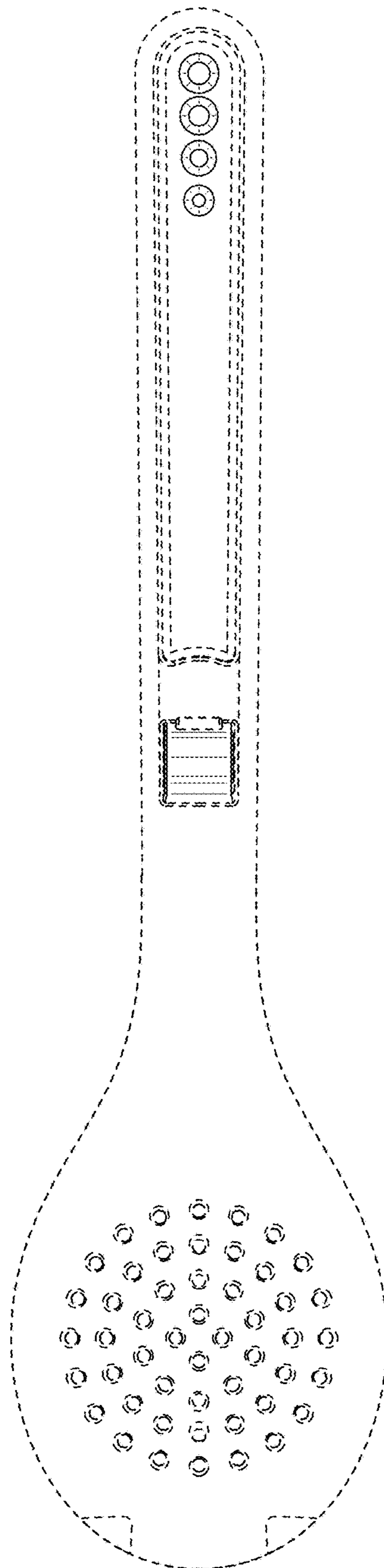


FIG. 3

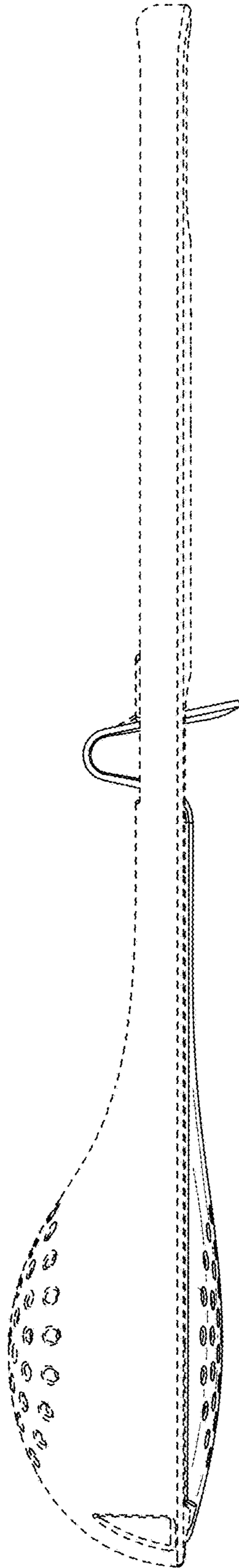


FIG. 4

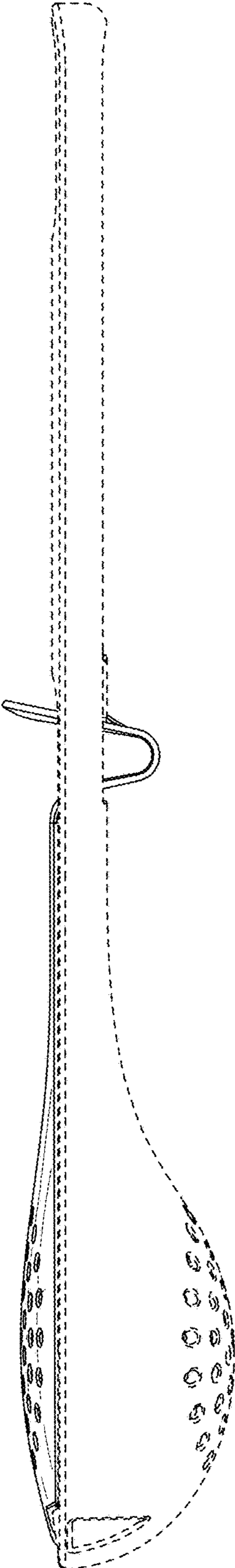


FIG. 5

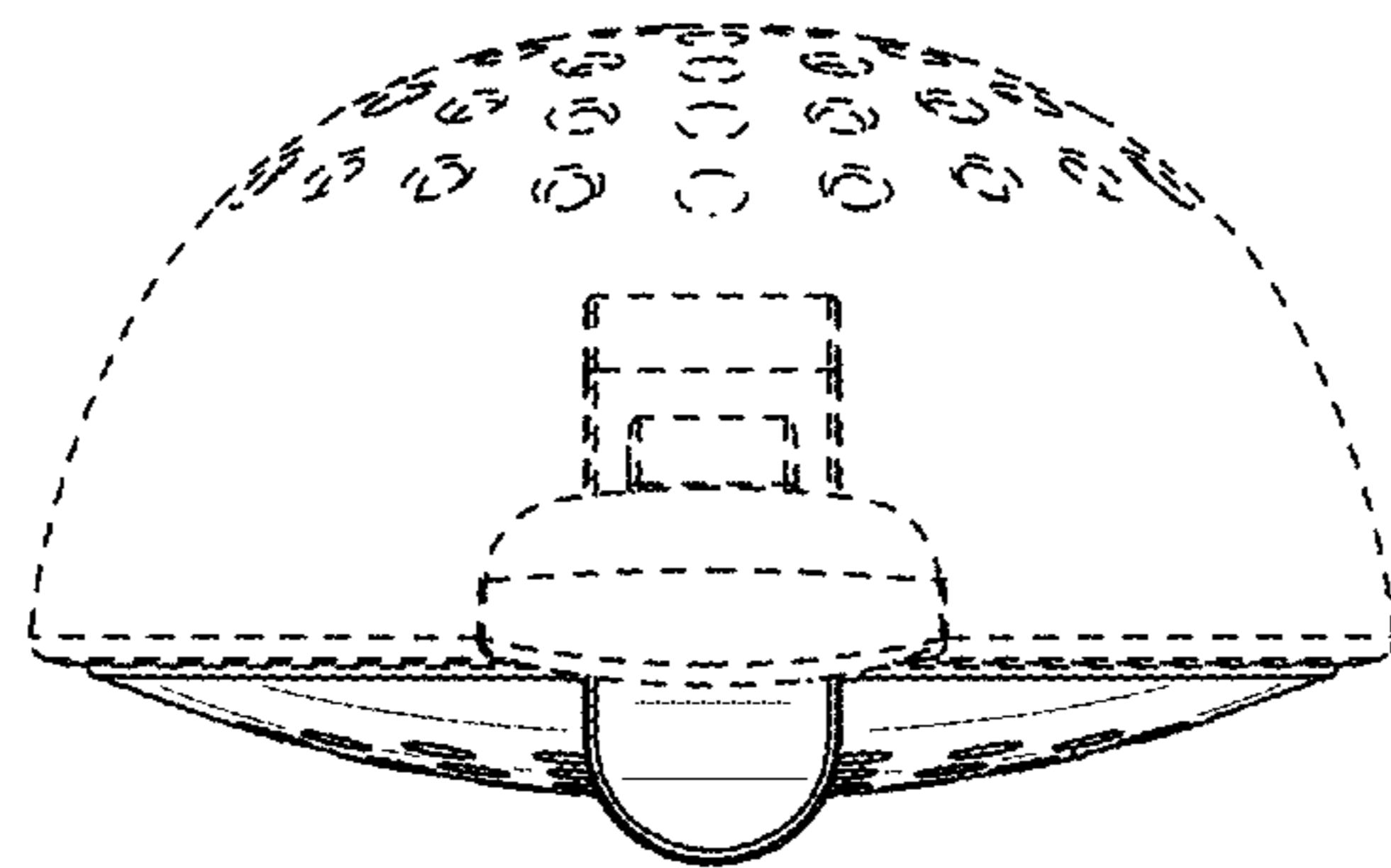


FIG. 6

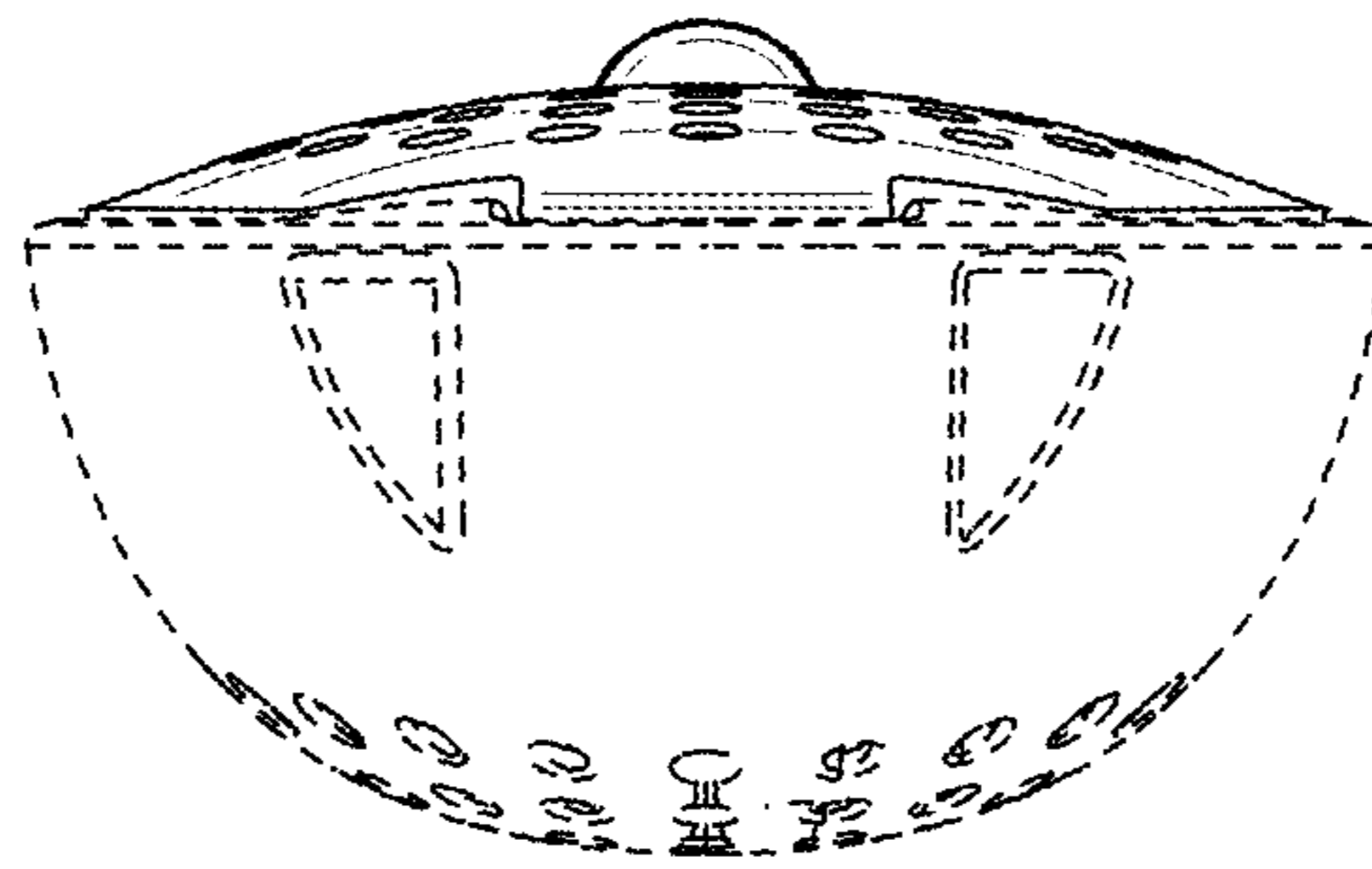


FIG. 7

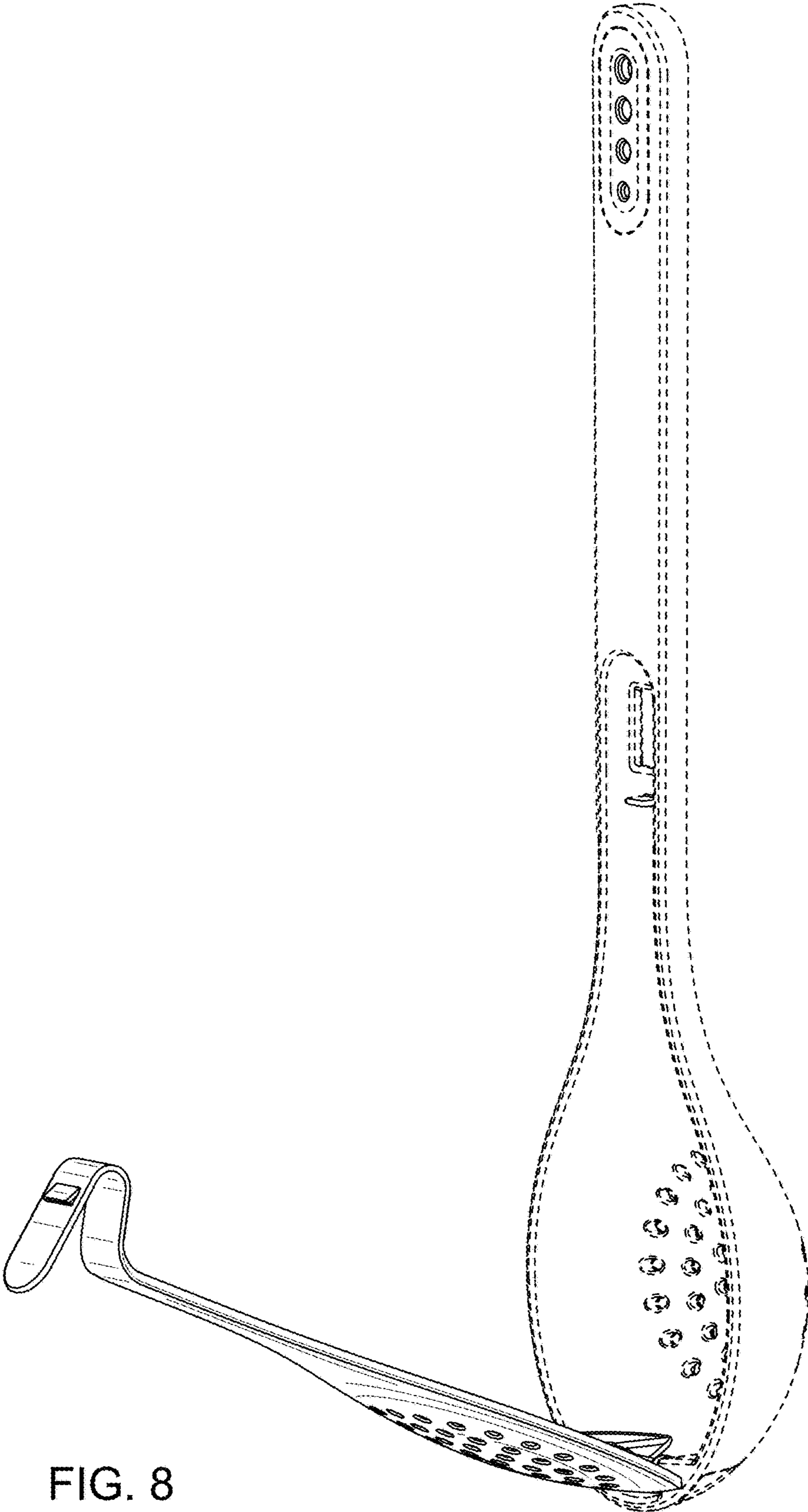


FIG. 8

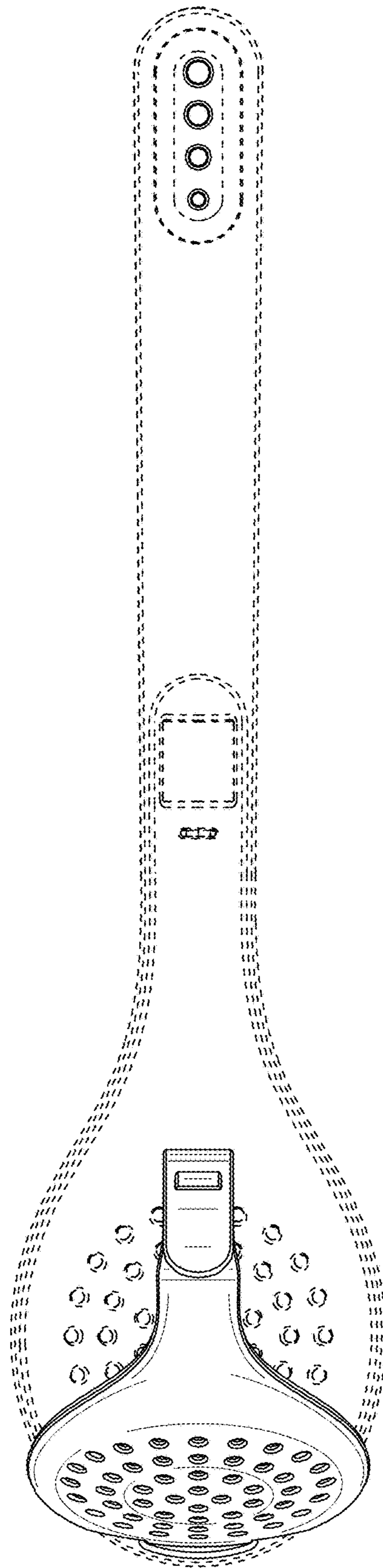


FIG. 9

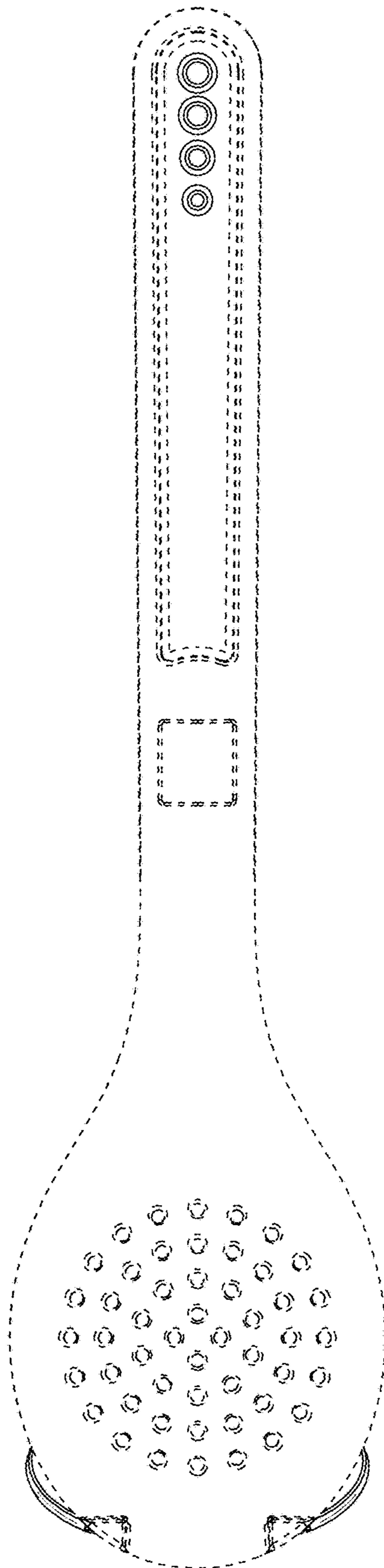


FIG. 10

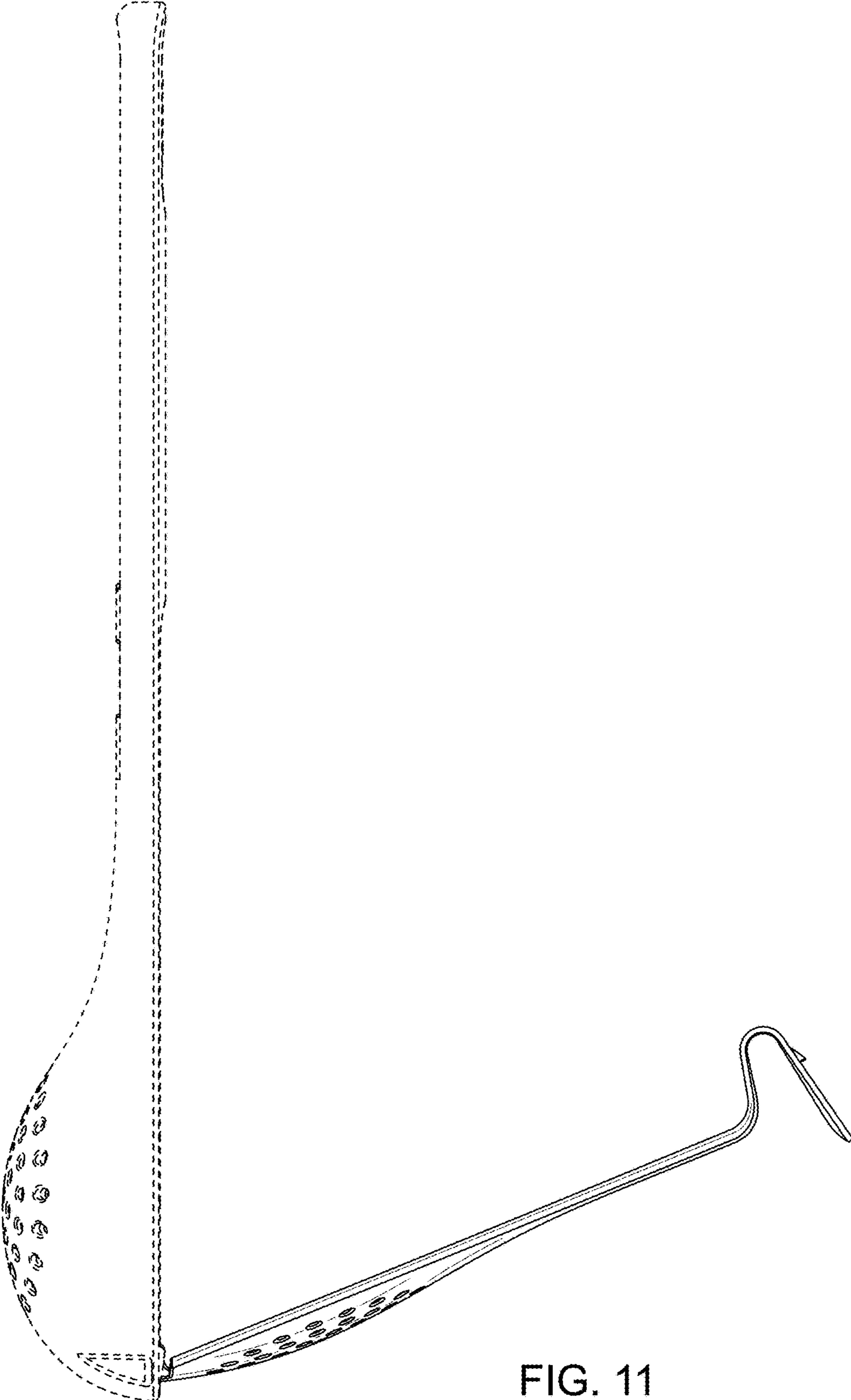


FIG. 11

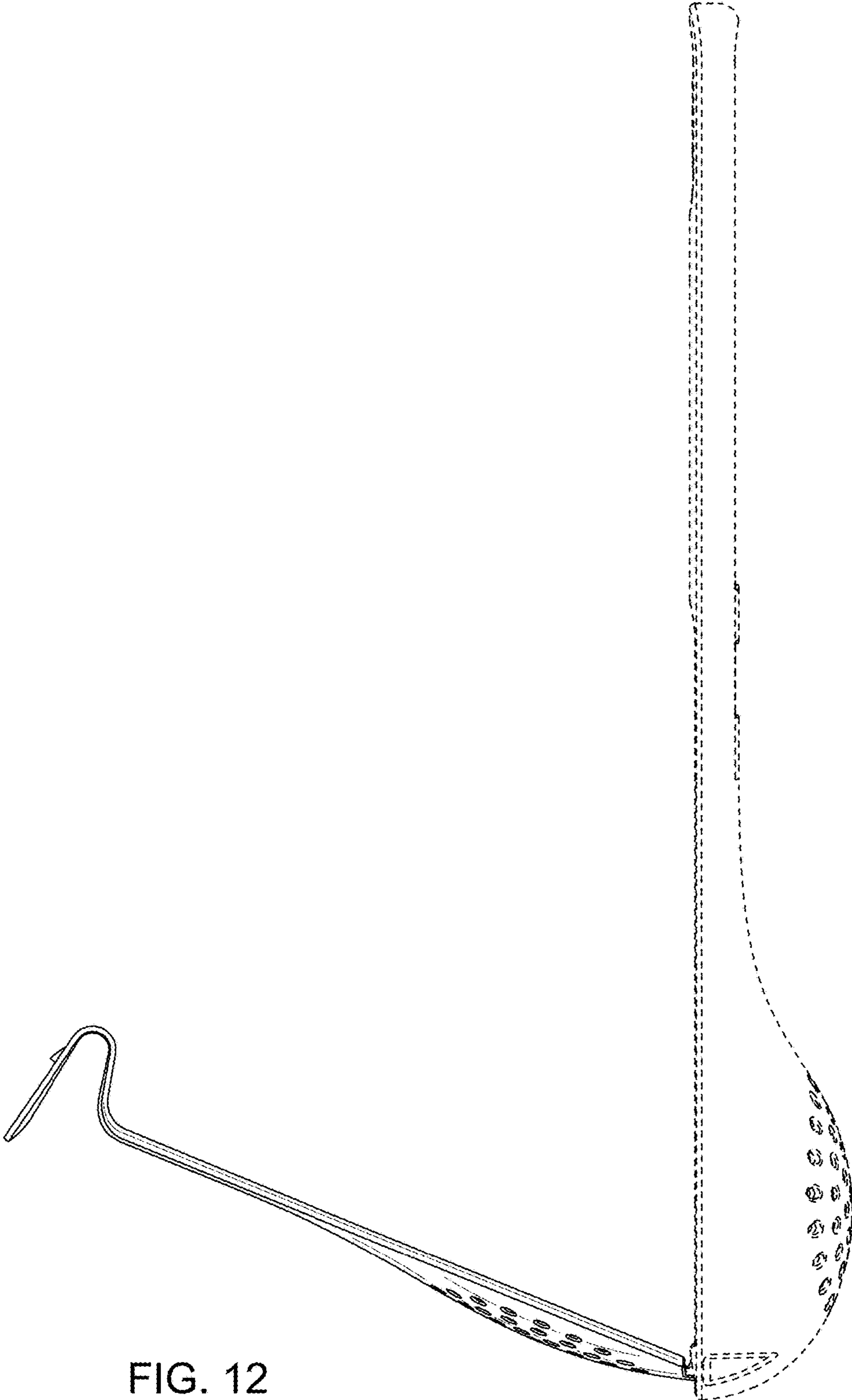


FIG. 12

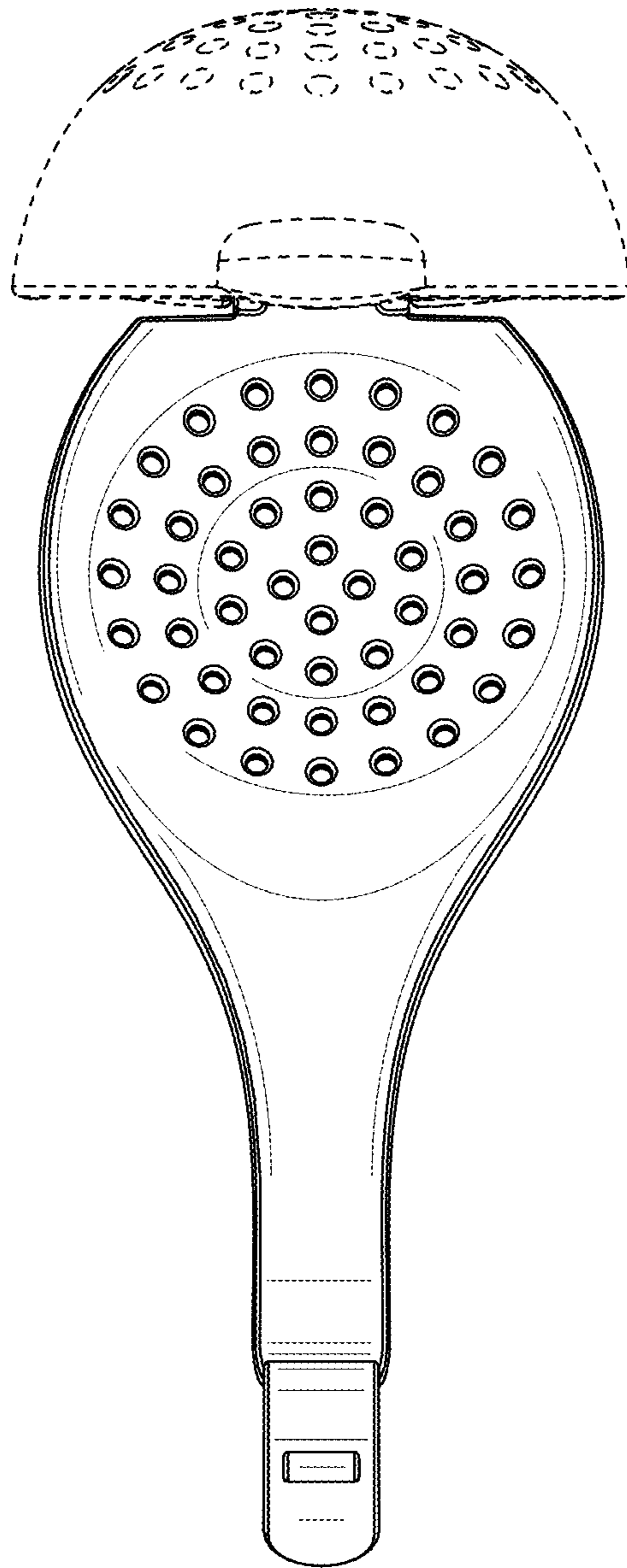


FIG. 13

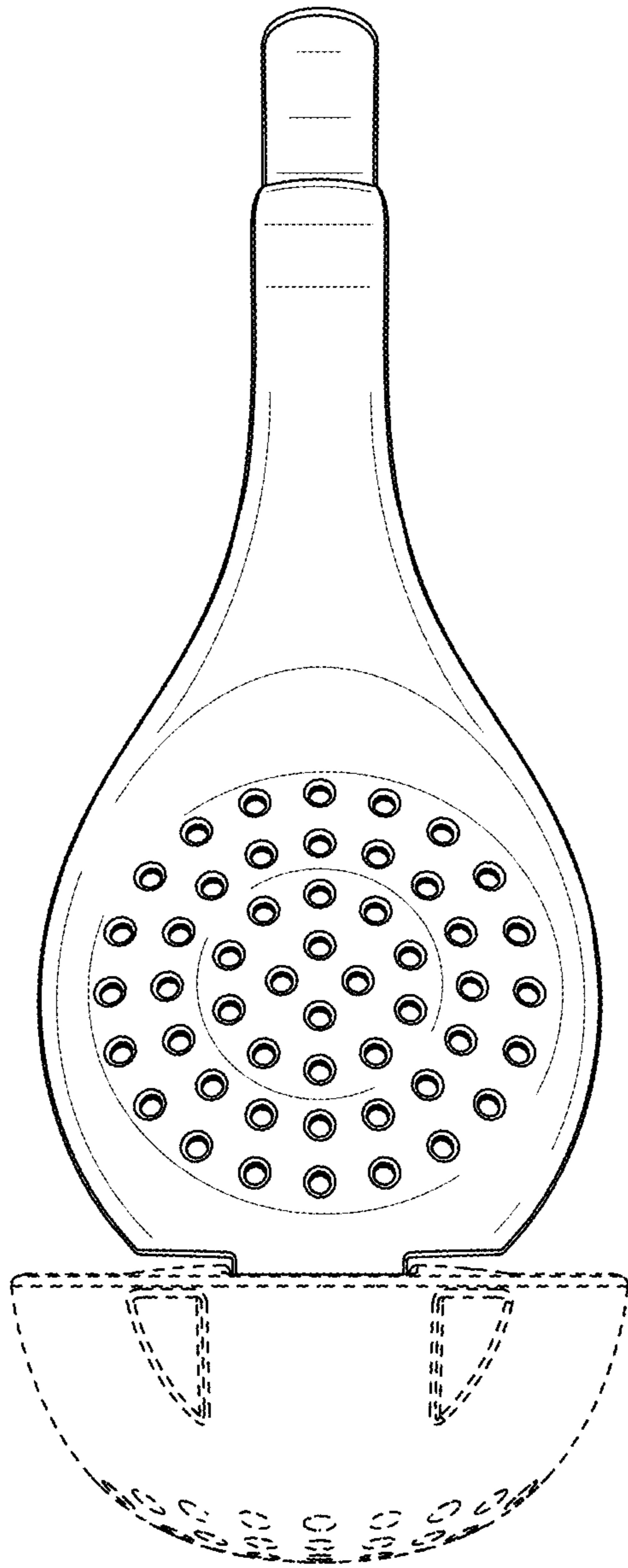


FIG. 14