



US00D818311S

(12) **United States Design Patent**  
**Munari**

(10) **Patent No.:** **US D818,311 S**

(45) **Date of Patent:** **\*\* May 22, 2018**

- (54) **SIDE HANDLE FOR COOKWARE**
- (71) Applicant: **LA TERMOPLASTIC F.B.M. S.R.L.**,  
Arsago Seprio (IT)
- (72) Inventor: **Marco Munari**, Cardano Al Campo  
(IT)
- (73) Assignee: **LA TERMOPLASTIC F.B.M. S.R.L.**,  
Arsago Seprio (VA) (IT)

(\*\*) Term: **15 Years**

(21) Appl. No.: **29/579,968**

(22) Filed: **Oct. 4, 2016**

(30) **Foreign Application Priority Data**

Apr. 4, 2016 (EM) ..... 003054386

(51) **LOC (11) Cl.** ..... **07-02**

(52) **U.S. Cl.**  
USPC ..... **D7/393**

(58) **Field of Classification Search**  
USPC ..... D7/354-361, 391, 393-395, 396.2, 514,  
D7/664; D8/107, 300, 301, 306, 315,  
D8/316, 317, 319, 320, 321; D3/318  
CPC ..... A47J 45/06; A47J 45/061; A47J 45/62;  
A47J 45/08; A47J 45/085; B65D  
25/2802; B65D 25/2882; B65D 25/2885;  
B65D 25/2888; B65D 25/2894; Y10S  
220/912  
See application file for complete search history.

(56) **References Cited**

**U.S. PATENT DOCUMENTS**

- D384,552 S \* 10/1997 Baumgarten ..... D7/393
- D414,985 S \* 10/1999 Geelen ..... D7/394

- D461,092 S \* 8/2002 Coudurier ..... D7/393
- D482,565 S \* 11/2003 Knor ..... D7/393
- D508,370 S \* 8/2005 Cuillery ..... D7/394
- D527,980 S \* 9/2006 Sato ..... D8/307
- D528,856 S \* 9/2006 Pascal ..... D7/394
- D578,343 S \* 10/2008 Magnouloux ..... D7/393
- D584,920 S \* 1/2009 Munari ..... D7/394
- D636,632 S \* 4/2011 Bergne ..... D7/393
- D638,257 S \* 5/2011 Bergne ..... D7/393
- D680,806 S \* 4/2013 Munari ..... D7/394
- D687,260 S \* 8/2013 Rae ..... D7/394

\* cited by examiner

*Primary Examiner* — Cynthia M Chin

(74) *Attorney, Agent, or Firm* — Hedman & Costigan,  
P.C.; James V. Costigan; Kathleen A. Costigan

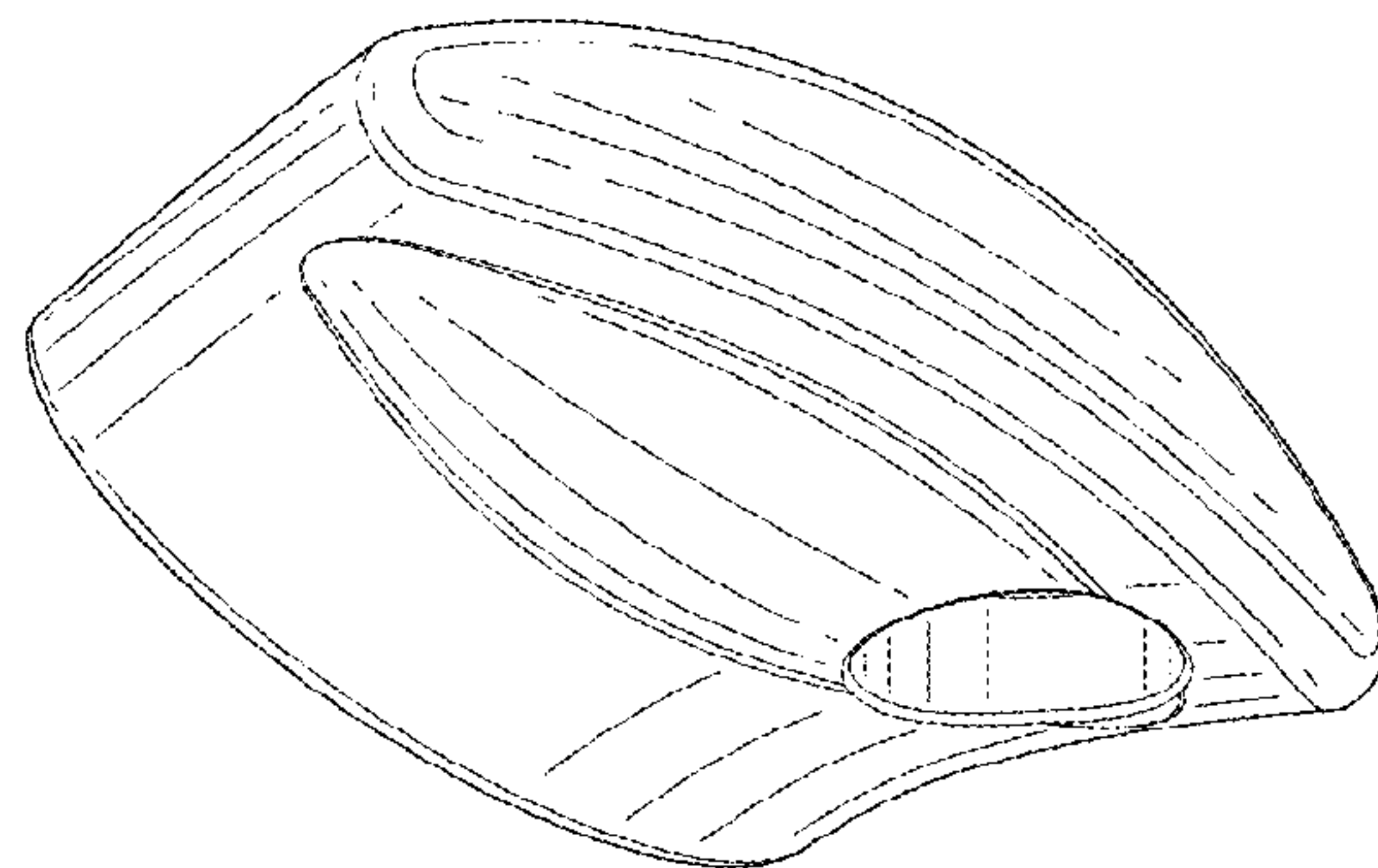
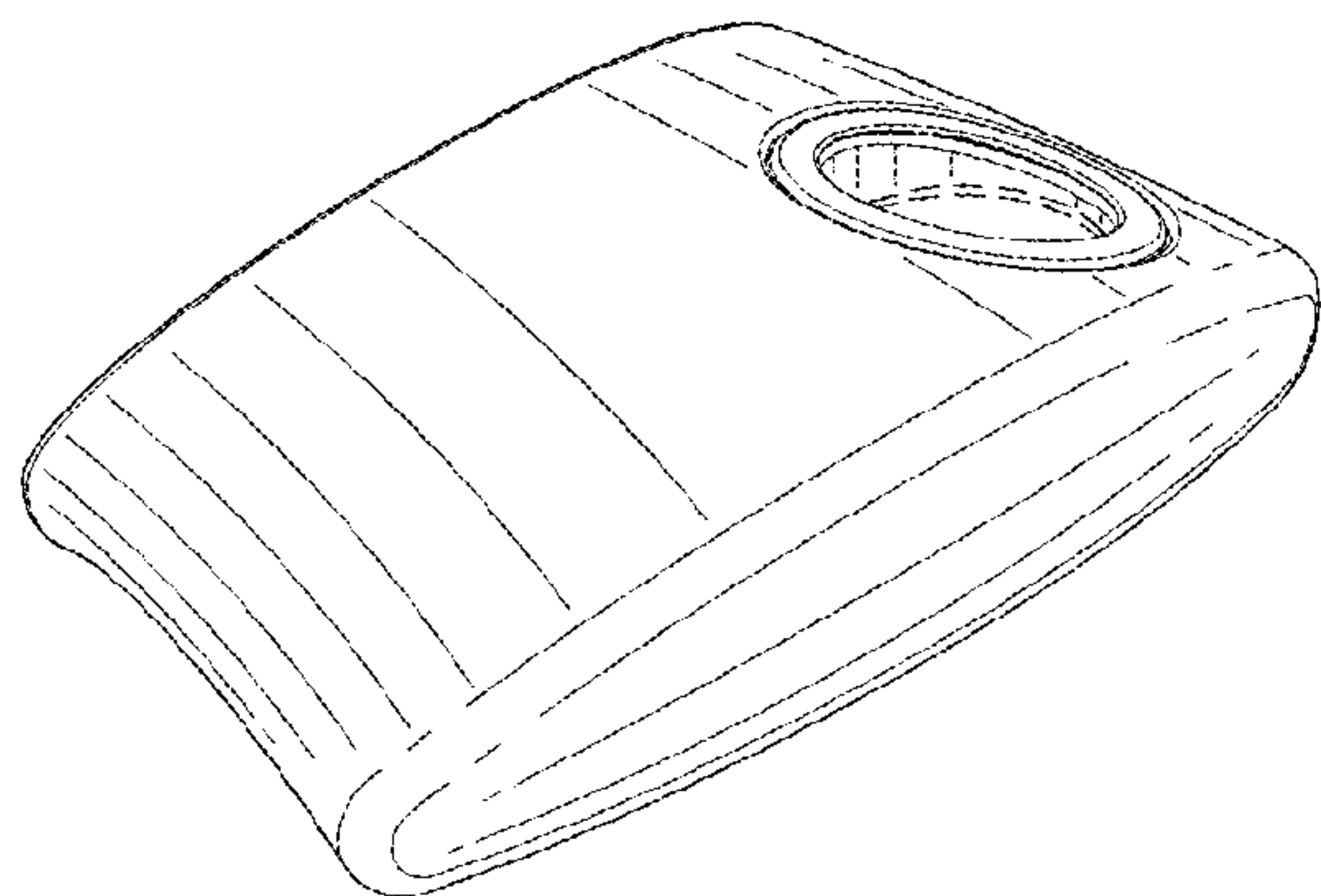
(57) **CLAIM**

I claim the ornamental design for a side handle for cookware, as shown and described.

**DESCRIPTION**

FIG. 1 is a top perspective view of a side handle for cookware according to the present invention; FIG. 2 is a left side elevational view thereof; FIG. 3 is a right side elevational view thereof; FIG. 4 is a front elevational view thereof; FIG. 5 is a rear elevational view thereof; FIG. 6 is top plan view thereof; FIG. 7 is a bottom plan view thereof; and, FIG. 8 is a bottom perspective view thereof. The broken lines are for the purpose of illustrating portions of the side handle for cookware that form no part of the claimed design.

**1 Claim, 2 Drawing Sheets**



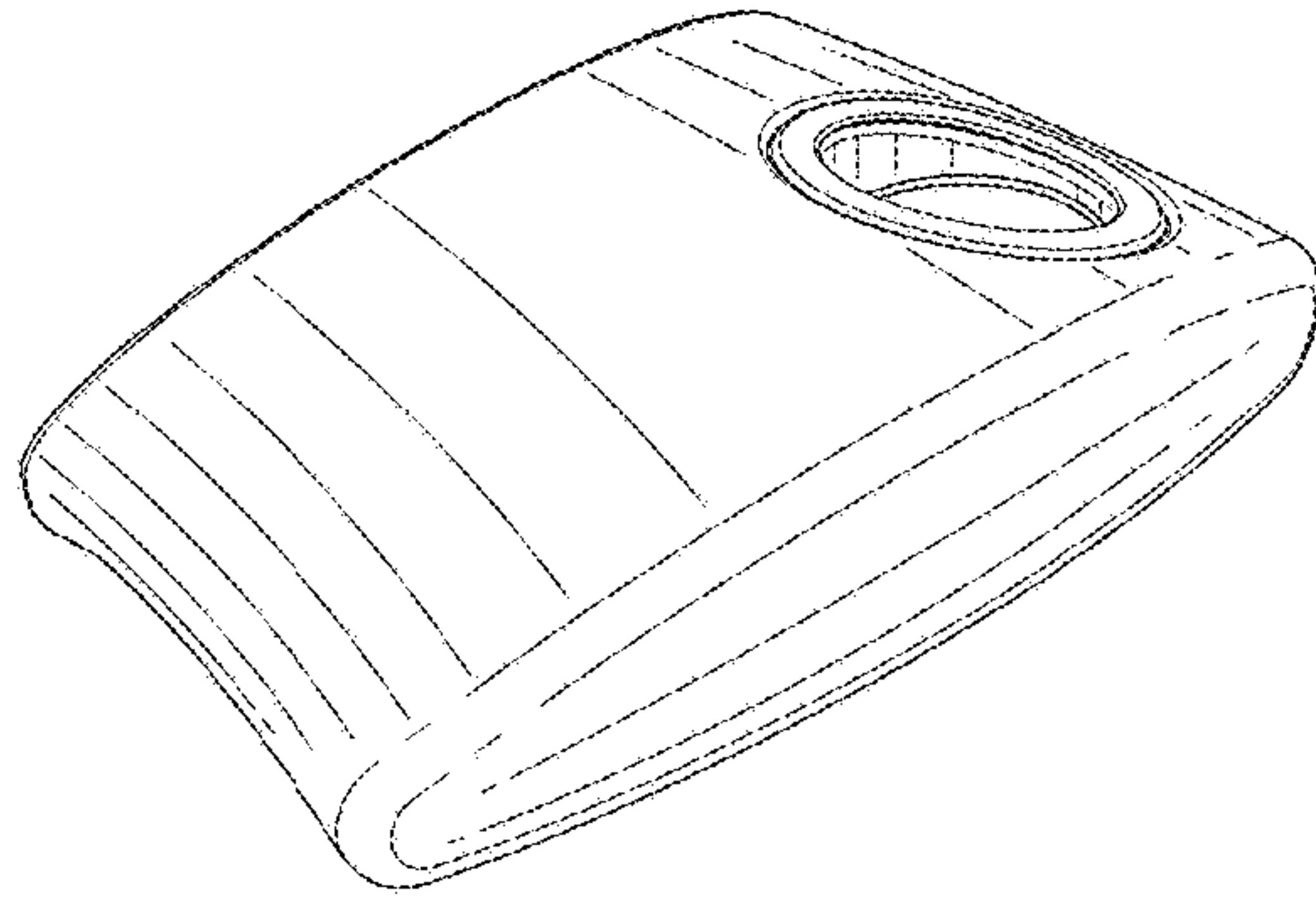


FIG. 1

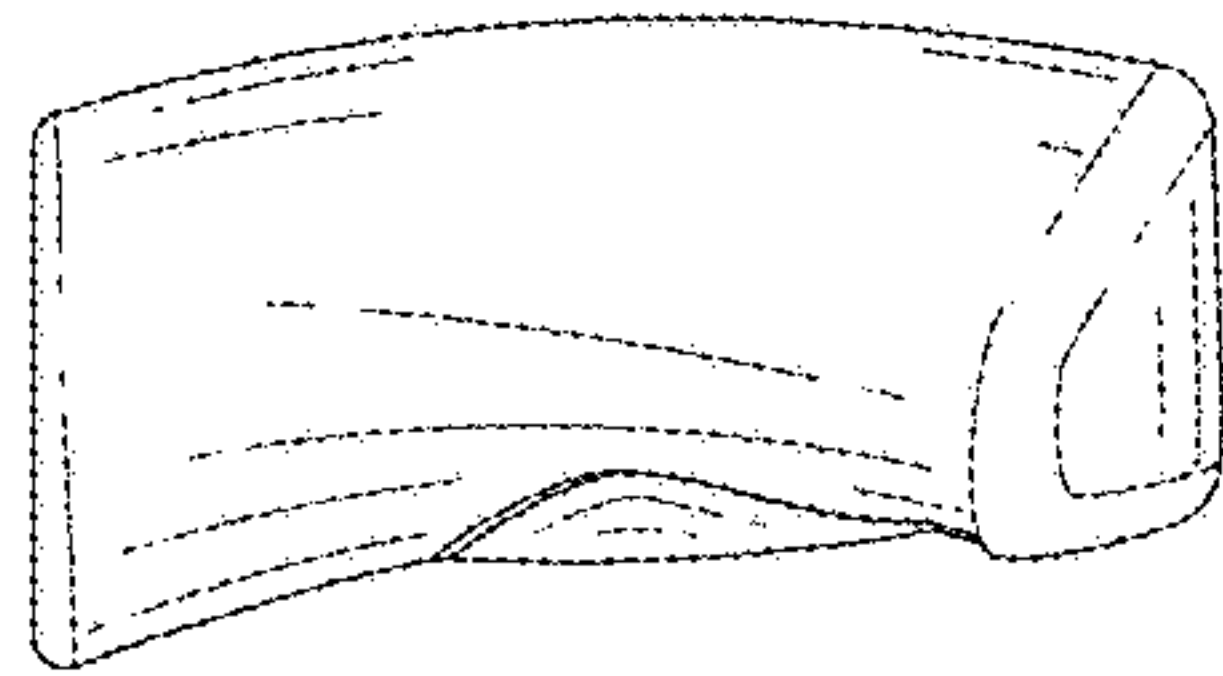


FIG. 2

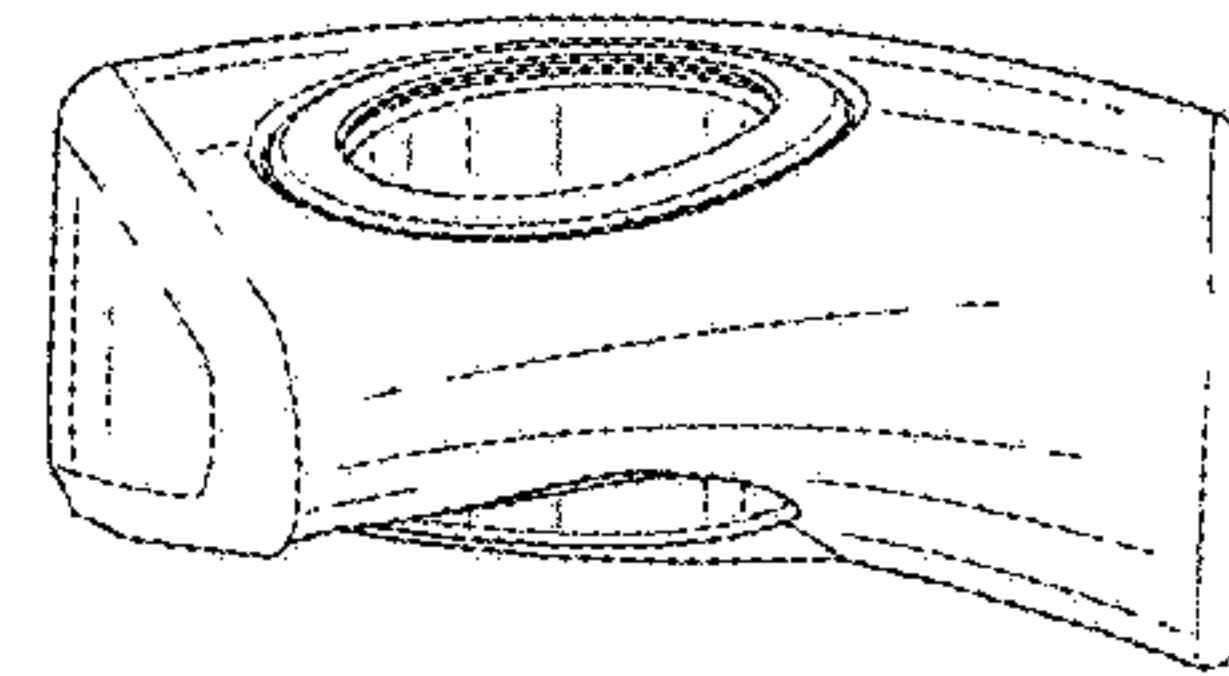


FIG. 3

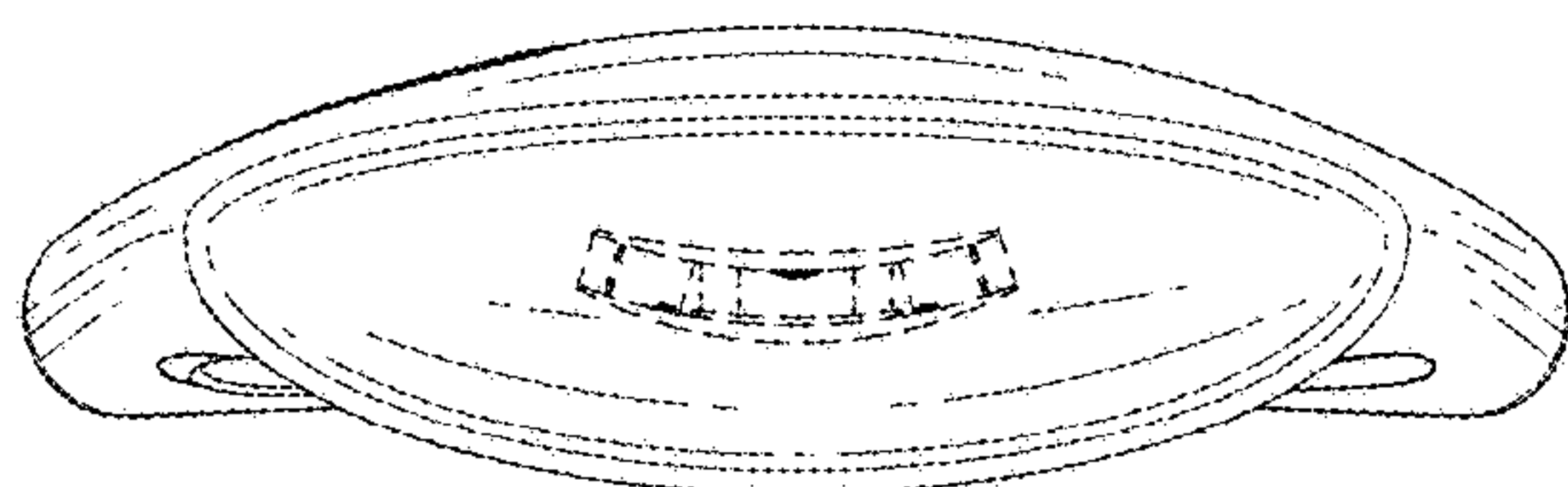


FIG. 4

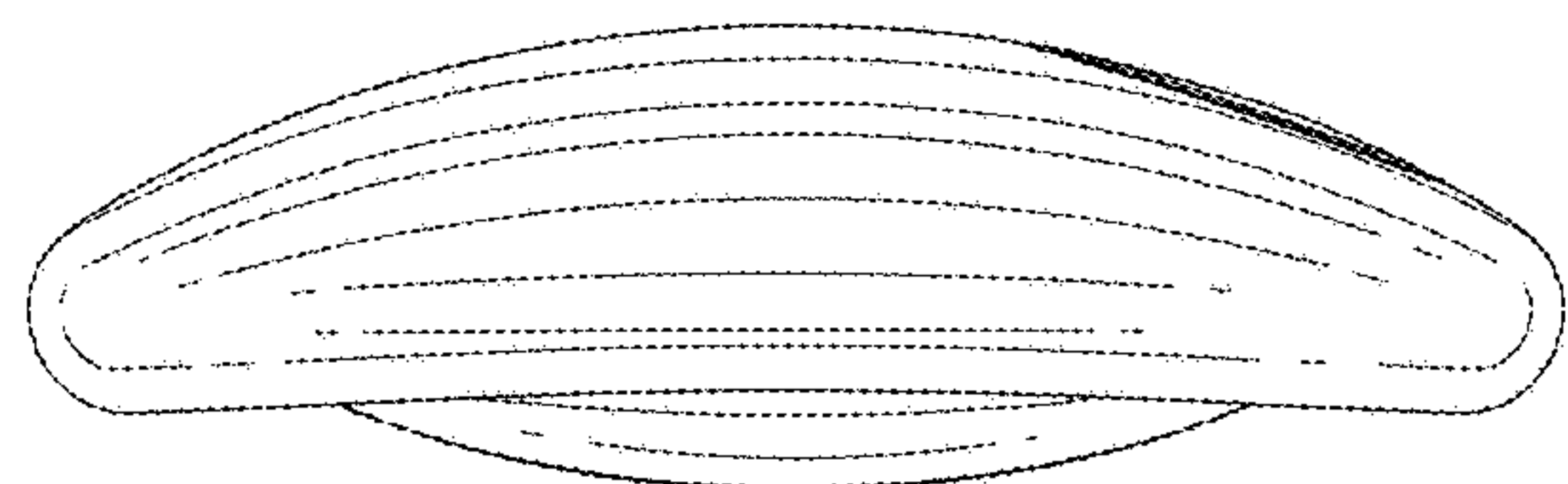


FIG. 5

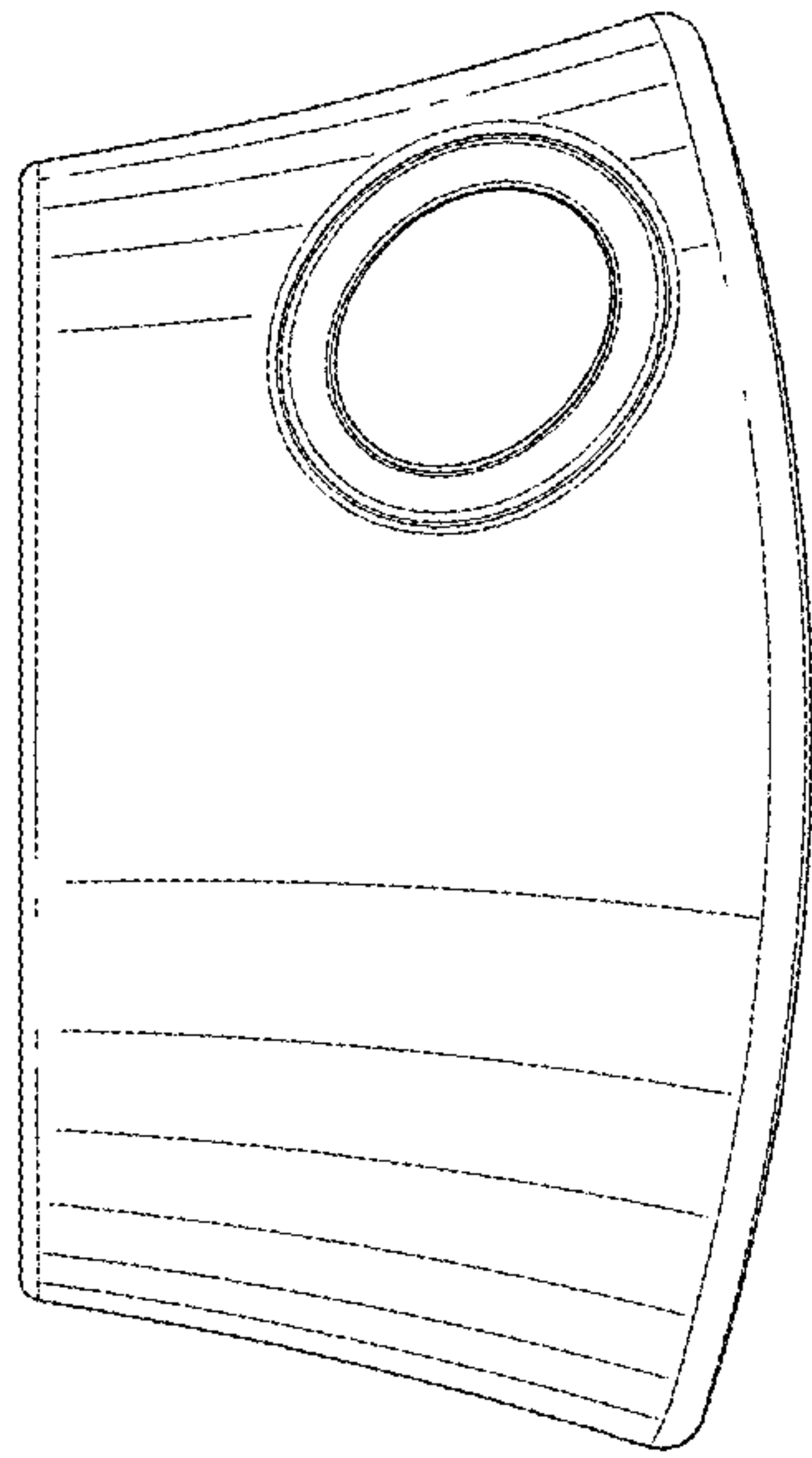


FIG. 6

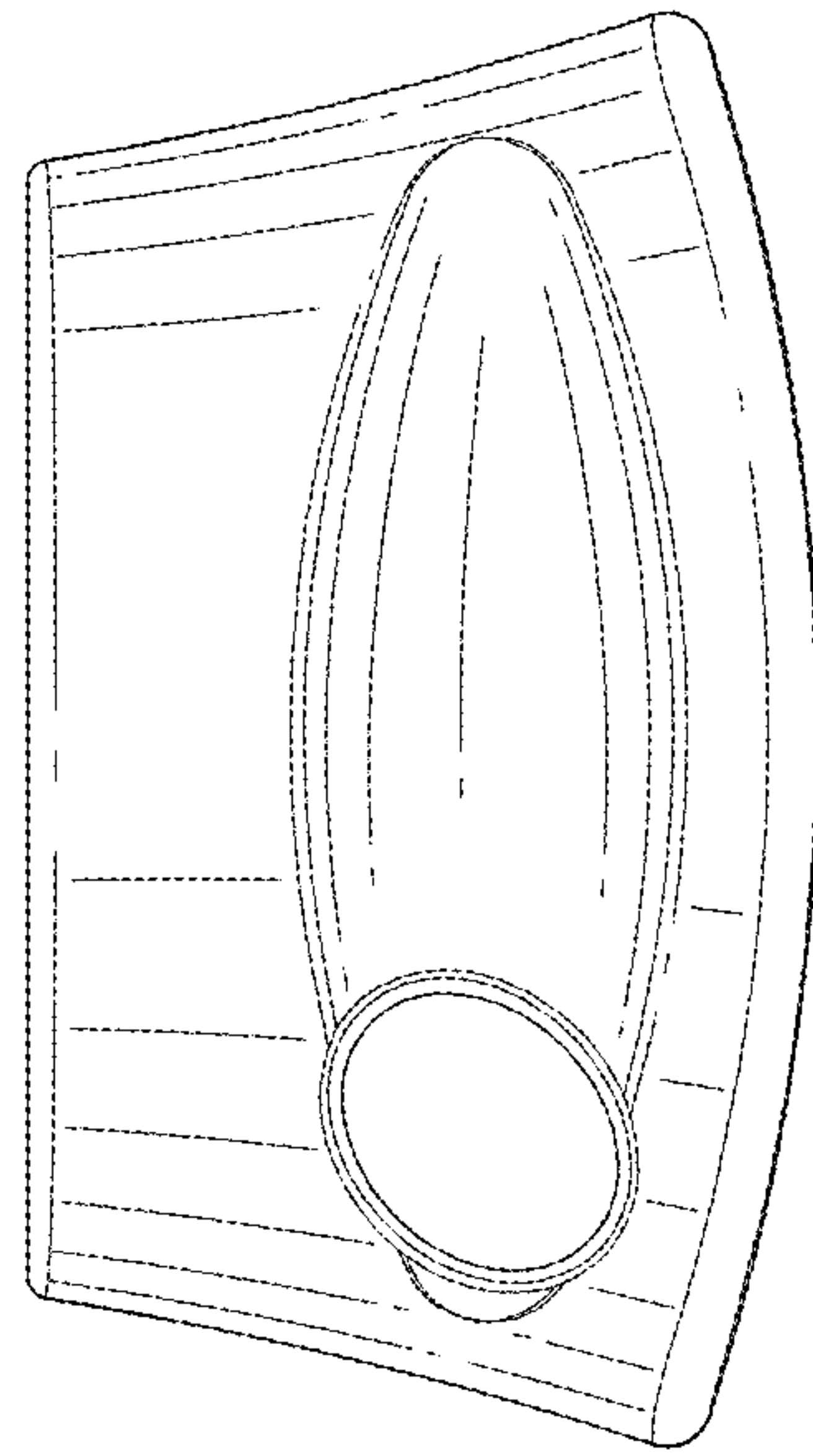


FIG. 7

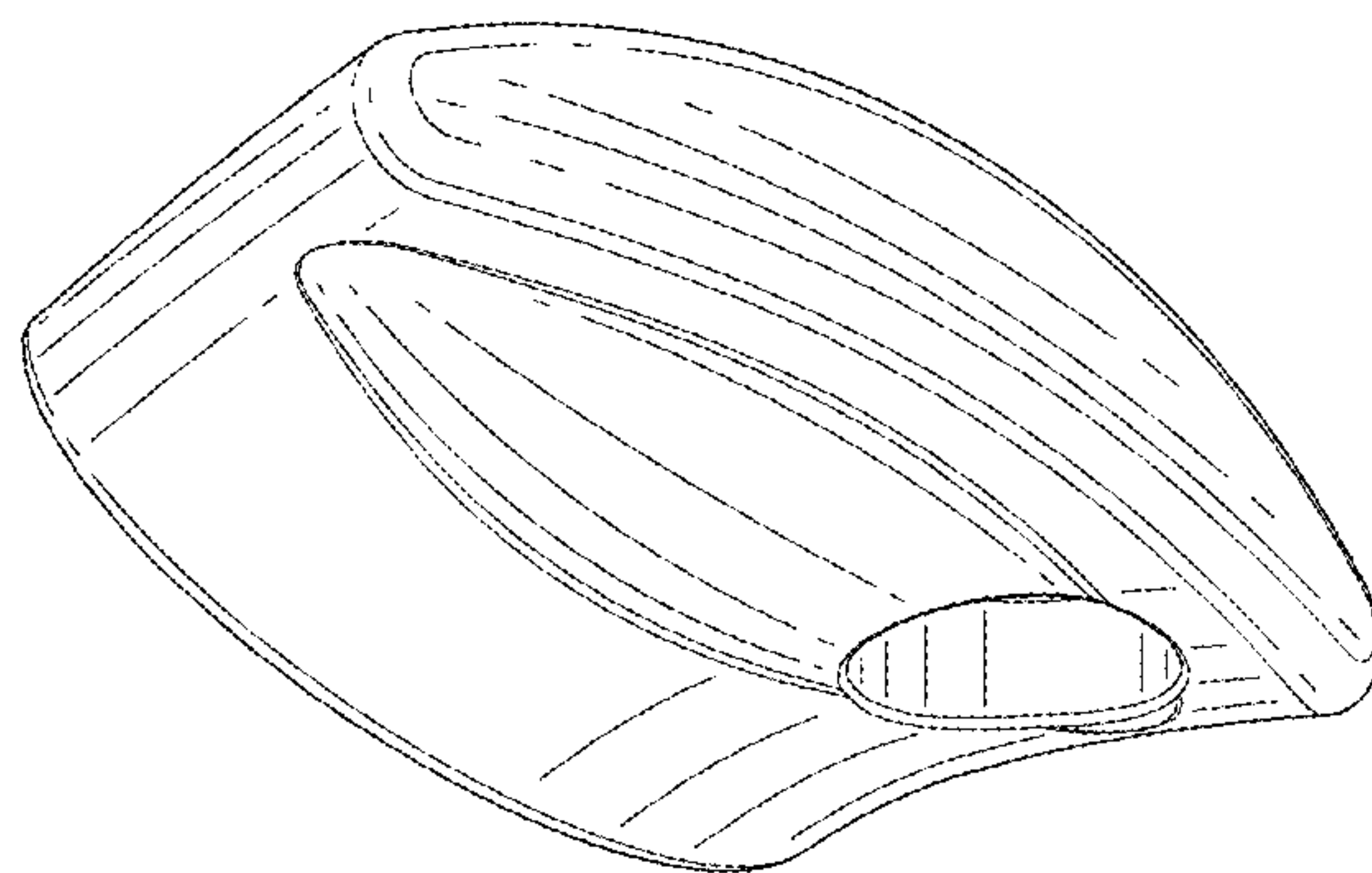


FIG. 8