



US00D818310S

(12) **United States Design Patent**  
**Cheng**

(10) **Patent No.:** **US D818,310 S**

(45) **Date of Patent:** **\*\* May 22, 2018**

(54) **CAP FOR BOTTLE**

(71) Applicant: **Zhejiang Haoqi Ind. and Trade Co., Ltd.**, Yongkang (CN)

(72) Inventor: **Yongyang Cheng**, Yongkang (CN)

(73) Assignee: **Zhejiang Haoqi Ind. and Trade Co., Ltd.**, Yongkang (CN)

(\*\*) Term: **15 Years**

(21) Appl. No.: **29/595,557**

(22) Filed: **Feb. 28, 2017**

(51) **LOC (11) Cl.** ..... **07-01**

(52) **U.S. Cl.**  
USPC ..... **D7/392.1**

(58) **Field of Classification Search**  
USPC ..... D3/318; D7/213, 300, 317, 387, 397,  
D7/398, 401.1, 590, 396.2, 392.1;  
D8/300, 310, 312, 321; D9/434-436,  
D9/439, 440, 442, 443, 445, 447, 448,  
D9/452-454, 499; D23/208, 260  
CPC ..... B65D 77/286; B65D 17/506; B65D 41/34  
See application file for complete search history.

(56) **References Cited**

**U.S. PATENT DOCUMENTS**

D191,471 S	*	10/1961	Russell	.....	D8/310
D375,018 S	*	10/1996	Goto	.....	D7/392.1
D375,019 S	*	10/1996	Goto	.....	D7/392.1
D526,043 S	*	8/2006	Thompson	.....	D23/208
D562,065 S	*	2/2008	Smaldone	.....	D7/387
D613,110 S	*	4/2010	Lane	.....	D7/392.1
D629,865 S	*	12/2010	Riedel	.....	D23/209
D631,351 S	*	1/2011	Coon	.....	D9/453
D657,994 S	*	4/2012	Wahl	.....	D7/392
D660,680 S	*	5/2012	Han	.....	D8/310

D669,732 S	*	10/2012	Hopkins	.....	D7/392.1
D721,276 S	*	1/2015	Herbst	.....	D7/396.2
D732,293 S	*	6/2015	Parker	.....	D3/318
D745,642 S	*	12/2015	Luo	.....	D23/260
D763,688 S	*	8/2016	Breit	.....	D9/443
D777,508 S	*	1/2017	Goodwin	.....	D7/392.1

(Continued)

**OTHER PUBLICATIONS**

Alibaba. 2017 New design marble high grade wholesale white vacuum insulated double walled stainless steel sports cola shaped water bottle. 2018 [earliest online date], [site visited Jan. 29, 2018]. Available from Internet, <URL:https://goo.gl/t8yGa4>. (Year: 2018).\*

*Primary Examiner* — Eric L Goodman

*Assistant Examiner* — Darcey E Heflin

(74) *Attorney, Agent, or Firm* — Stetina Brunda Garred and Brucker

(57) **CLAIM**

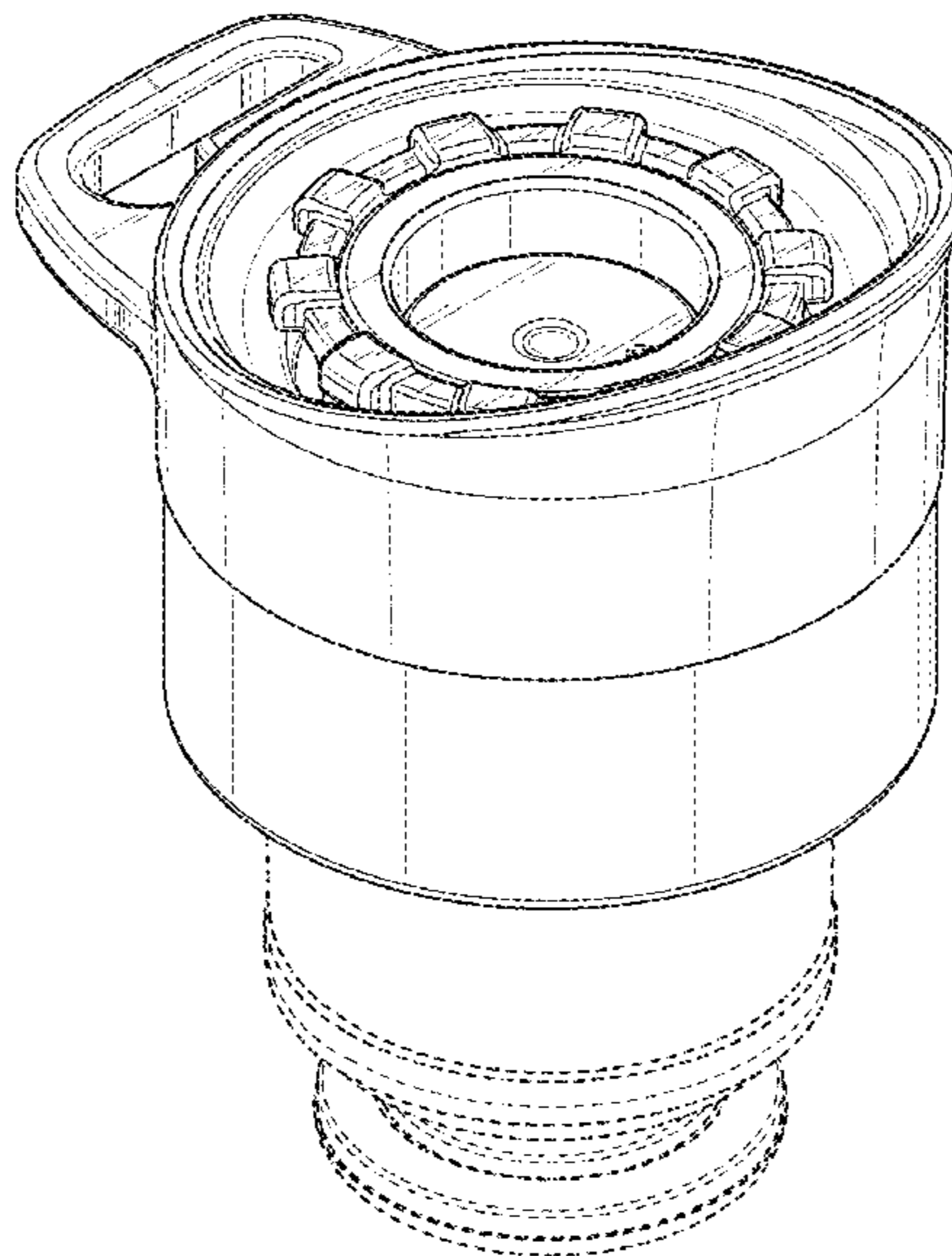
The ornamental design for a cap for bottle, as shown and described.

**DESCRIPTION**

FIG. 1 is a perspective view of a cap for bottle of the present invention showing our new design;  
FIG. 2 is a rear view of the cap for bottle shown in FIG. 1;  
FIG. 3 is a front view of the cap for bottle shown in FIG. 1;  
FIG. 4 is a left view of the cap for bottle shown in FIG. 1;  
FIG. 5 is a right view of the cap for bottle shown in FIG. 1;  
FIG. 6 is a top view of the cap for bottle shown in FIG. 1;  
and,  
FIG. 7 is a bottom view of the cap for bottle shown in FIG. 1.

In the drawings, the broken lines showing of a cap for bottle depict portions of the cap and form no part of the claim.

**1 Claim, 7 Drawing Sheets**



(56)

**References Cited**

U.S. PATENT DOCUMENTS

D784,123 S \* 4/2017 Steffens ..... D8/387  
D807,110 S \* 1/2018 Lown ..... D7/391

\* cited by examiner

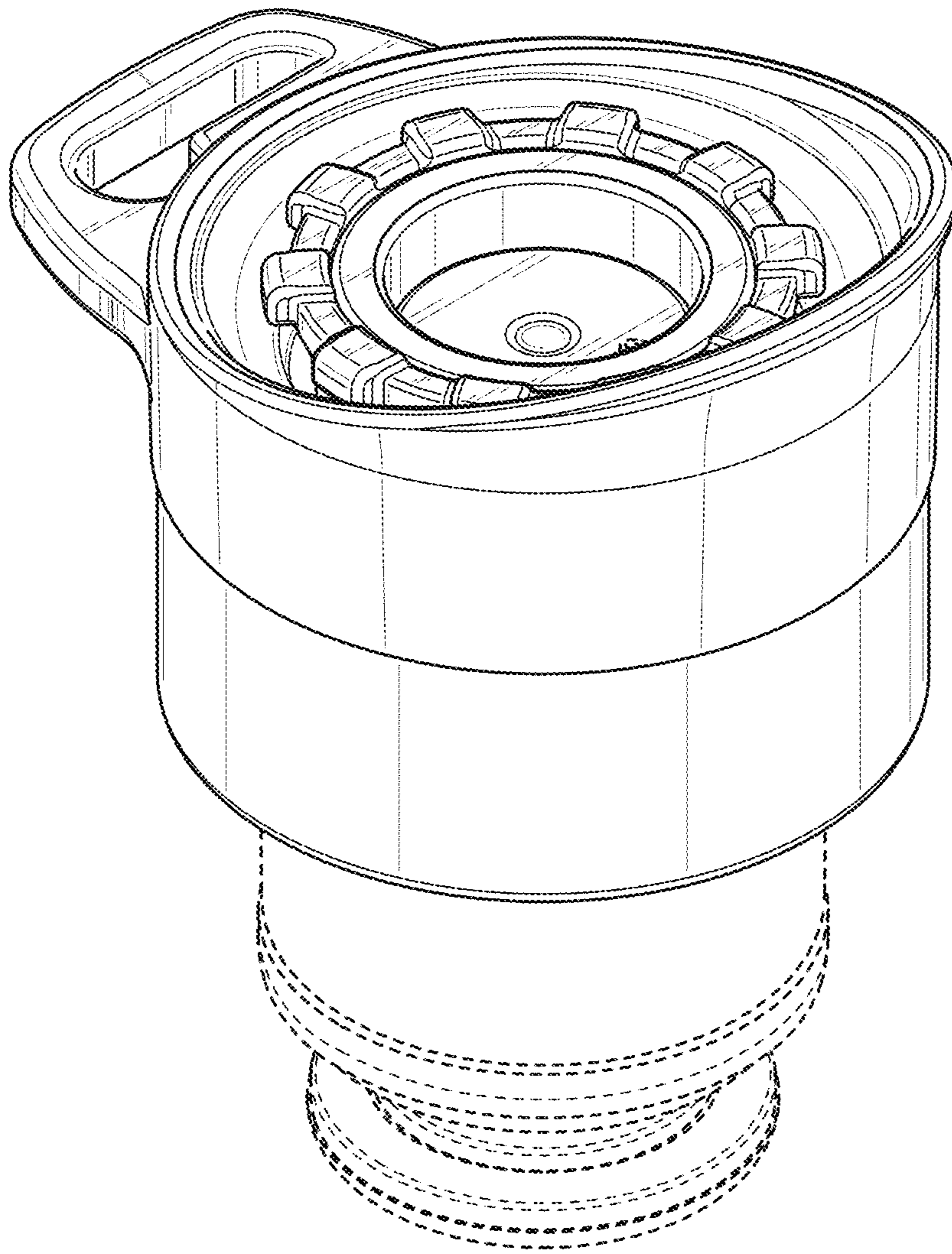


FIG. 1

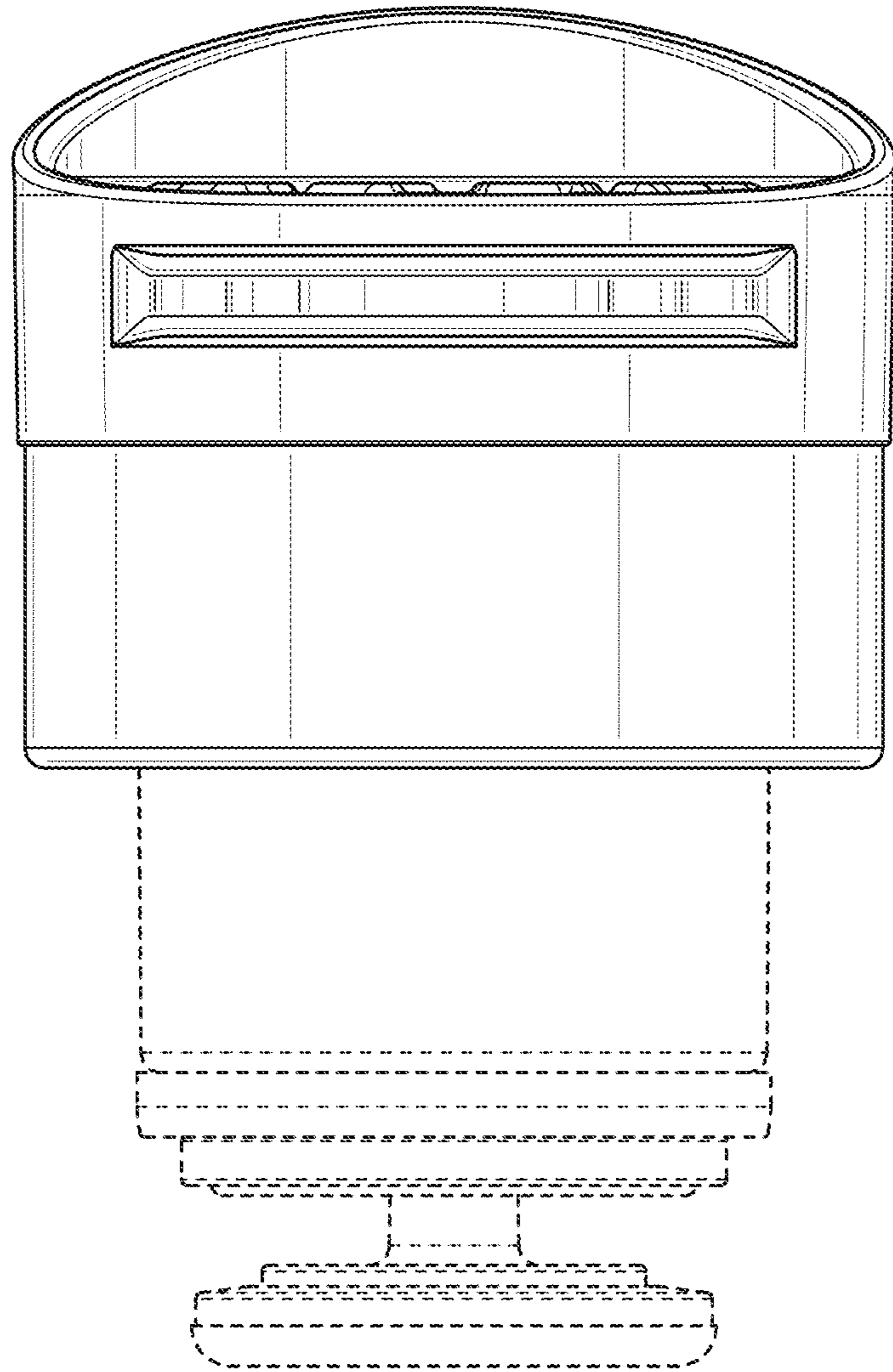


FIG. 2

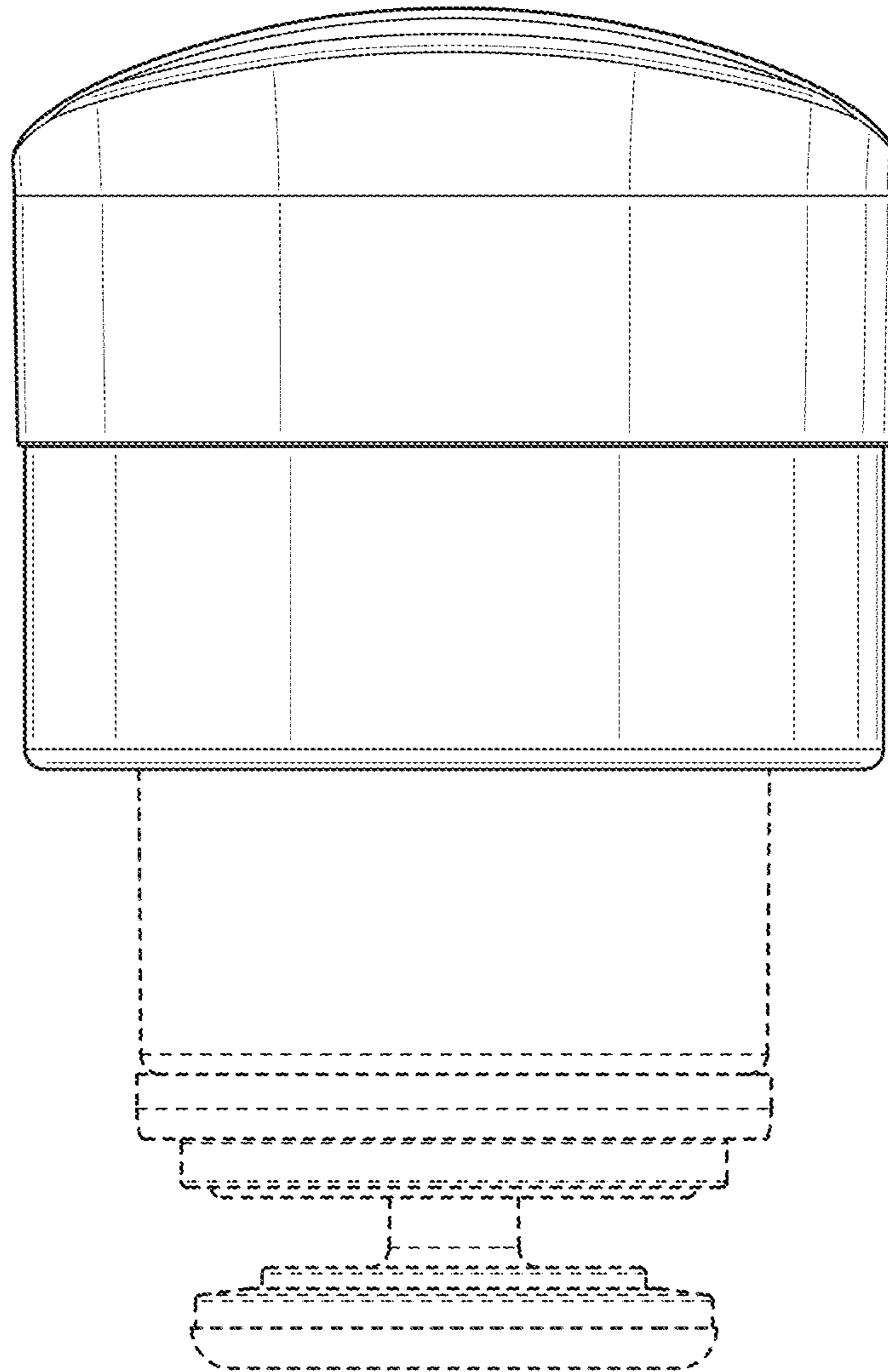


FIG. 3

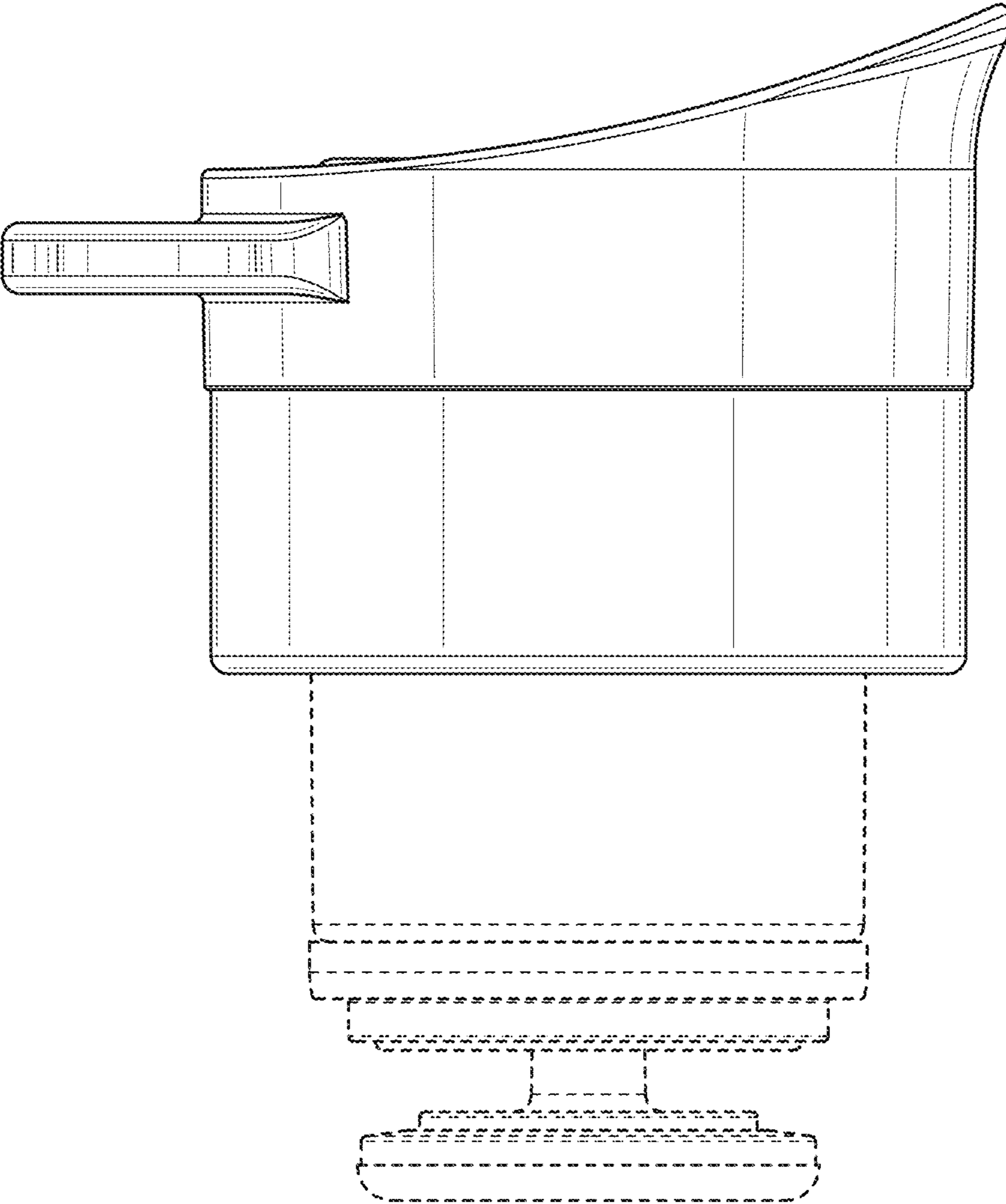


FIG. 4

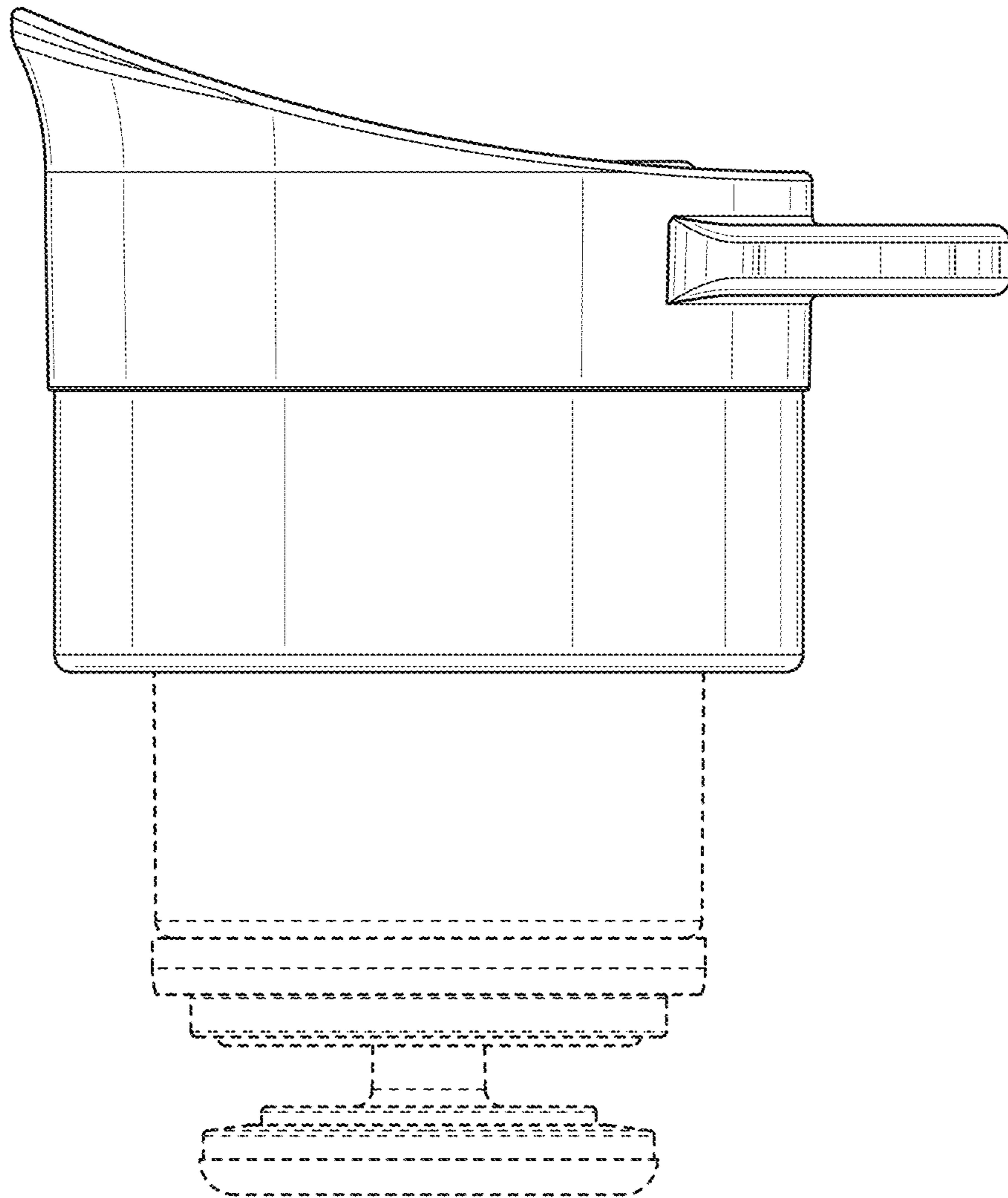


FIG. 5

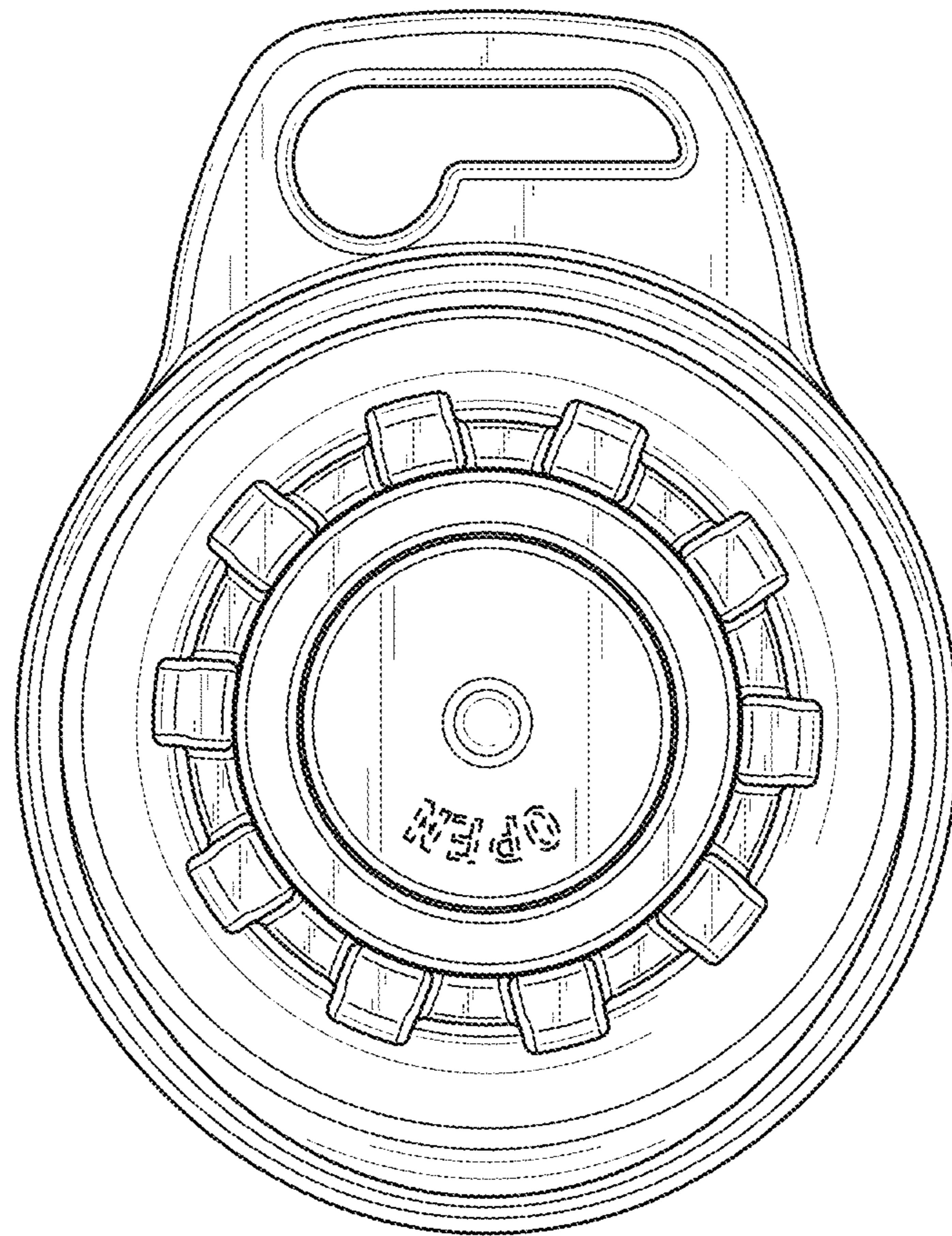


FIG. 6



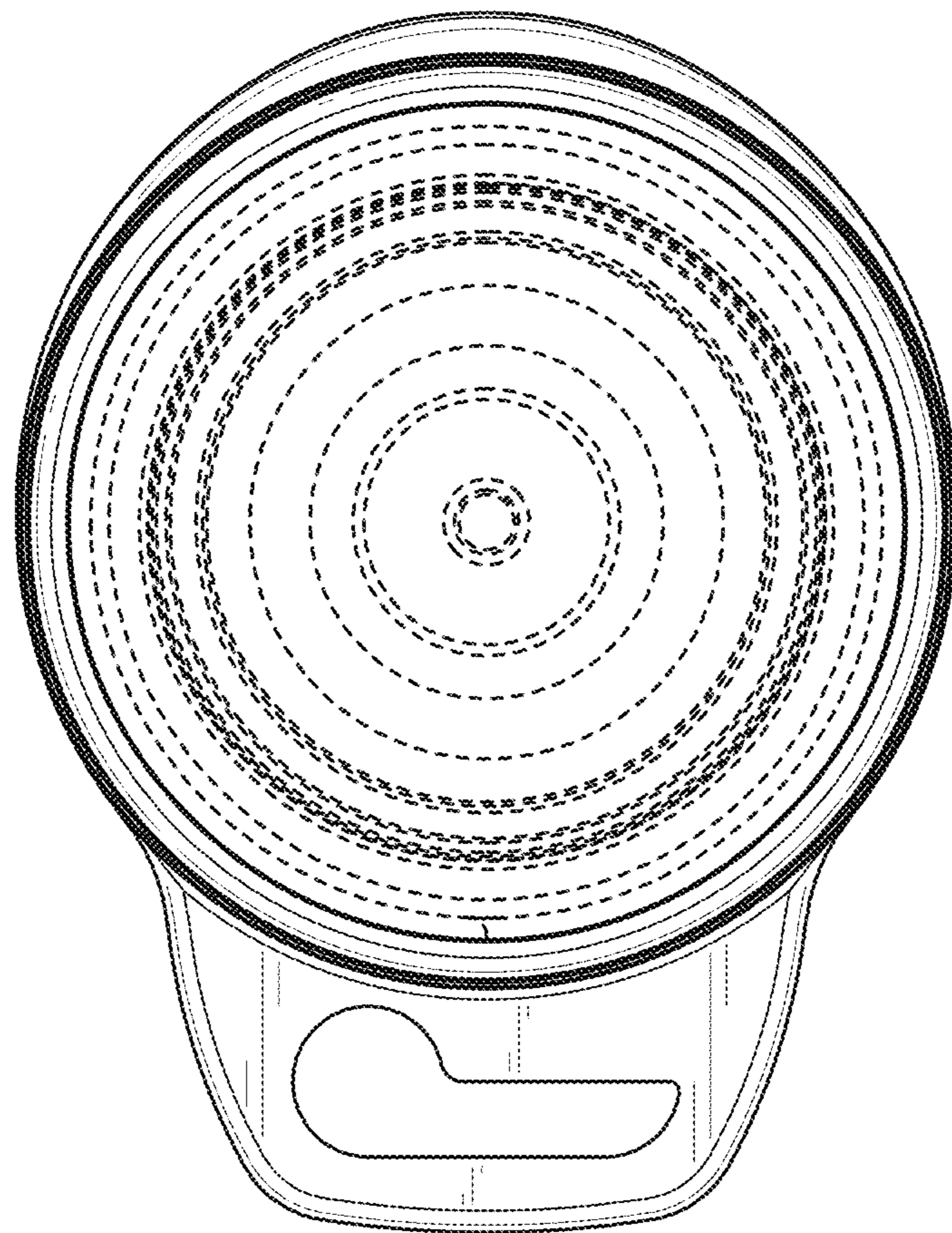


FIG. 7