



US00D818309S

(12) **United States Design Patent**  
**Jasso Gomez**

(10) **Patent No.:** **US D818,309 S**  
(45) **Date of Patent:** **\*\* May 22, 2018**

(54) **BOTTLE CAP**

- (71) Applicant: **Industrias Alen, S.A. de C.V.**, Santa Catarina (MX)
- (72) Inventor: **Alpha Edith Jasso Gomez**, Monterrey (MX)
- (73) Assignee: **Industrias Alen, S.A. de C.V.**, Santa Catarina (MX)
- (\*\*) Term: **15 Years**
- (21) Appl. No.: **29/569,745**
- (22) Filed: **Jun. 30, 2016**
- (30) **Foreign Application Priority Data**

Jun. 14, 2016 (MX) ..... MX/f/2016/001848

- (51) **LOC (11) Cl.** ..... **07-01**
- (52) **U.S. Cl.**  
USPC ..... **D7/392.1; D9/449**
- (58) **Field of Classification Search**  
USPC ..... D7/391, 392, 392.1, 396.1, 396.2, 397, D7/398, 509, 510, 511, 543; D9/435, D9/436, 438, 447, 449, 450; D10/46.2, D10/46.3  
CPC ..... B65D 47/305; B65D 41/16; B65D 47/06  
See application file for complete search history.

(56) **References Cited**

**U.S. PATENT DOCUMENTS**

- D508,185 S \* 8/2005 Gauss ..... D7/392.1
- D588,915 S \* 3/2009 Lohrman ..... D9/449
- D686,872 S \* 7/2013 Lane ..... D7/392.1
- D713,724 S \* 9/2014 den Boer ..... D9/449
- D743,790 S \* 11/2015 Hussain ..... D9/447
- D758,790 S \* 6/2016 Boroski ..... D7/392.1

(Continued)

**OTHER PUBLICATIONS**

“Tupperware Flip Top Sports Bottle Quick Quench”. Found online Jun. 7, 2017 at amazon.co.uk. Page dated Mar. 13, 2014. Retrieved from <https://www.amazon.co.uk/Tupperware-Sports-Bottle-Quick-Quench/dp/B004AXT9QE>.\*

(Continued)

*Primary Examiner* — Robert M. Spear

*Assistant Examiner* — Kendra Leslie Hamilton

(74) *Attorney, Agent, or Firm* — Jeffrey T. Placker; Holland & Knight LLP

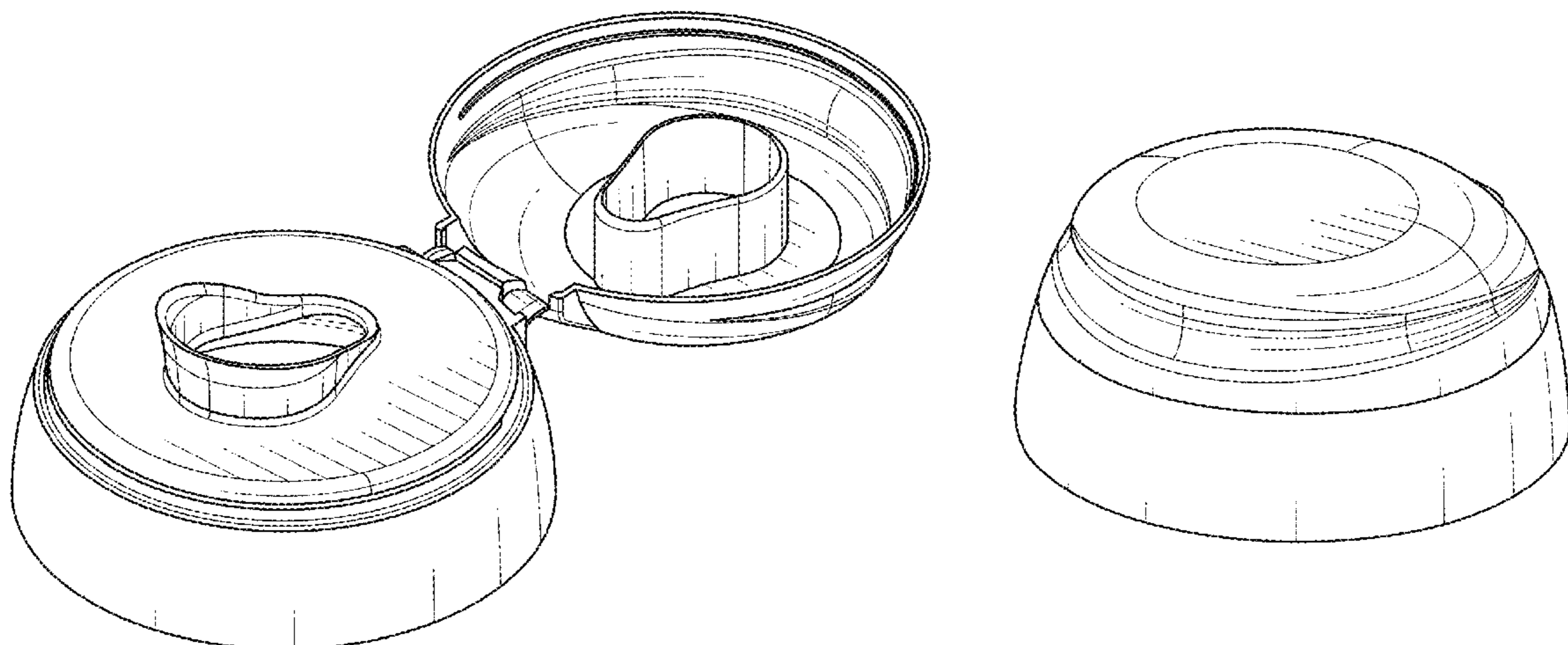
(57) **CLAIM**

The ornamental design for a bottle cap, as shown and described.

**DESCRIPTION**

FIG. 1 is a front perspective view of a bottle cap in an open configuration;  
 FIG. 2 is a front perspective view in a closed configuration;  
 FIG. 3 is a front elevational view in an open configuration;  
 FIG. 4 is a front elevational view in a closed configuration  
 FIG. 5 is a right side elevational view in an open configuration, wherein the left side elevational view is a mirror image thereof;  
 FIG. 6 is a right side elevational view in a closed configuration, wherein the left side elevational view is a mirror image thereof;  
 FIG. 7 is a top plan view in an open configuration;  
 FIG. 8 is a top plan view in a closed configuration;  
 FIG. 9 is bottom plan view in an open configuration;  
 FIG. 10 is a bottom plan view in a closed configuration; and,  
 FIG. 11 is a rear view in a closed configuration.  
 The broken lines are included for the purpose of illustrating portions of the container that form no part of the claimed design.

**1 Claim, 5 Drawing Sheets**



(56)

**References Cited**

U.S. PATENT DOCUMENTS

D761,058 S \* 7/2016 Ou ..... D7/510  
 D785,402 S \* 5/2017 Shirley ..... D7/392.1  
 2009/0159552 A1\* 6/2009 Cano-Pey ..... B65D 47/0828  
 215/235  
 2010/0314349 A1\* 12/2010 Chen ..... B65D 51/16  
 215/316  
 2013/0220967 A1\* 8/2013 Wang ..... B65D 47/0838  
 215/253  
 2015/0360834 A1\* 12/2015 Mikhail ..... B65D 51/248  
 340/384.5  
 2016/0325892 A1\* 11/2016 Yamaguchi ..... B65D 47/0857

OTHER PUBLICATIONS

“Thermos Vacuum Insulated Stainless Steel Hydration Bottle”. Found online Aug. 10, 2015 at amazon.com. Page dated Sep. 17, 2008. Retrieved from [http://www.amazon.com/Thermos-Insulated-18-Ounce-Stainless-Steel-Hydration/dp/B000FJ9DOK/ref=cm\\_cr\\_pr\\_product\\_top?ie=UTF8](http://www.amazon.com/Thermos-Insulated-18-Ounce-Stainless-Steel-Hydration/dp/B000FJ9DOK/ref=cm_cr_pr_product_top?ie=UTF8).\*

“Rubbermaid Chug Bottle”. Found online Jun. 7, 2017 at amazon.com. Page dated Feb. 7, 2013. Retrieved from [https://www.amazon.com/Rubbermaid-20-Chug-Bottle-Various/dp/B01FEDCV0Y/ref=cm\\_cr\\_ar\\_p\\_d\\_product\\_top?ie=UTF8](https://www.amazon.com/Rubbermaid-20-Chug-Bottle-Various/dp/B01FEDCV0Y/ref=cm_cr_ar_p_d_product_top?ie=UTF8).\*

“Translucent Plastic Water Bottle with Flip-Top Lid”. Found online Jun. 7, 2017 at amazon.com. Page dated Feb. 18, 2015. Retrieved from <https://www.amazon.com/Translucent-Plastic-Water-Bottles-Flip-Top/dp/B00TR25MQO>.\*

\* cited by examiner

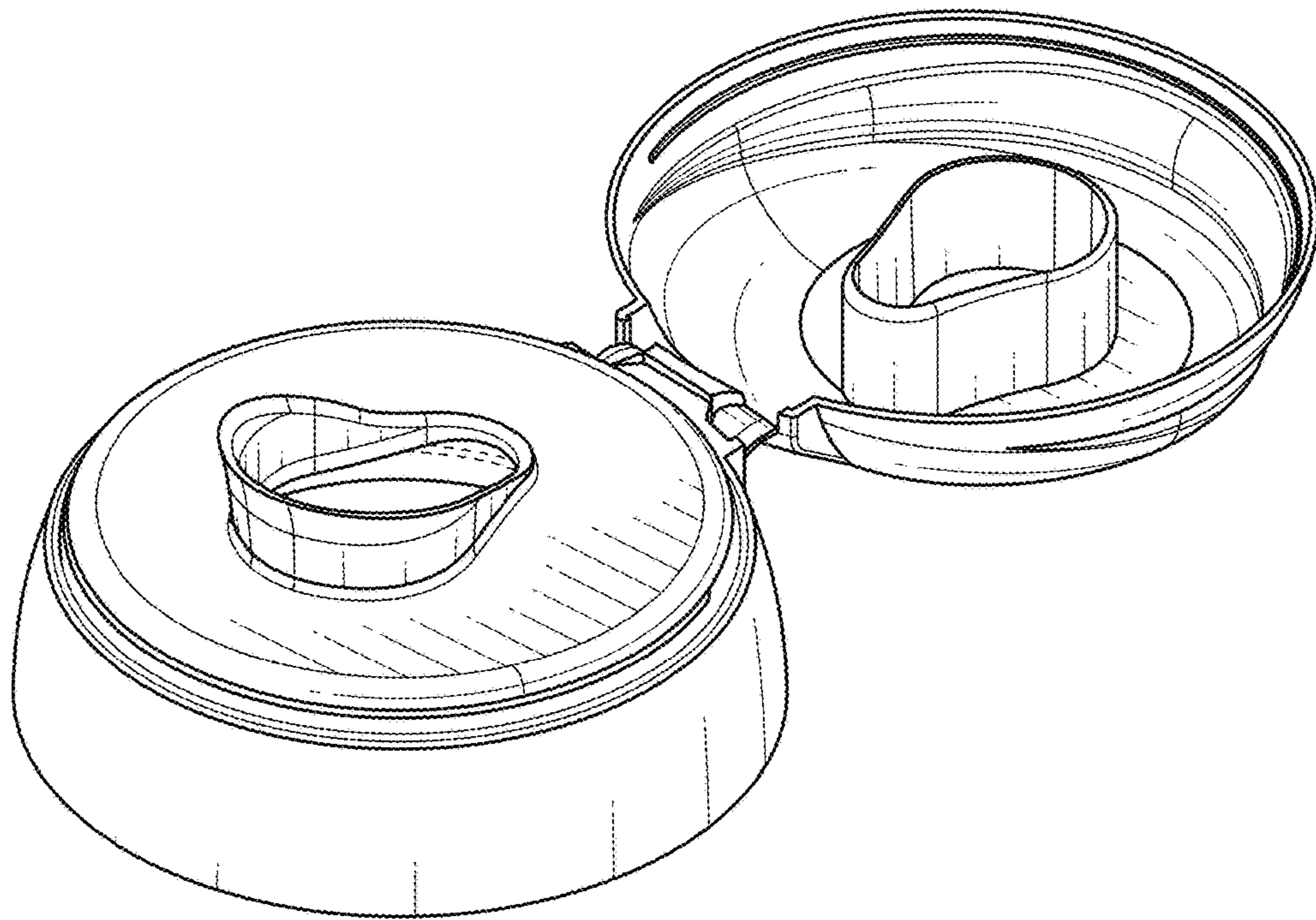


FIG. 1

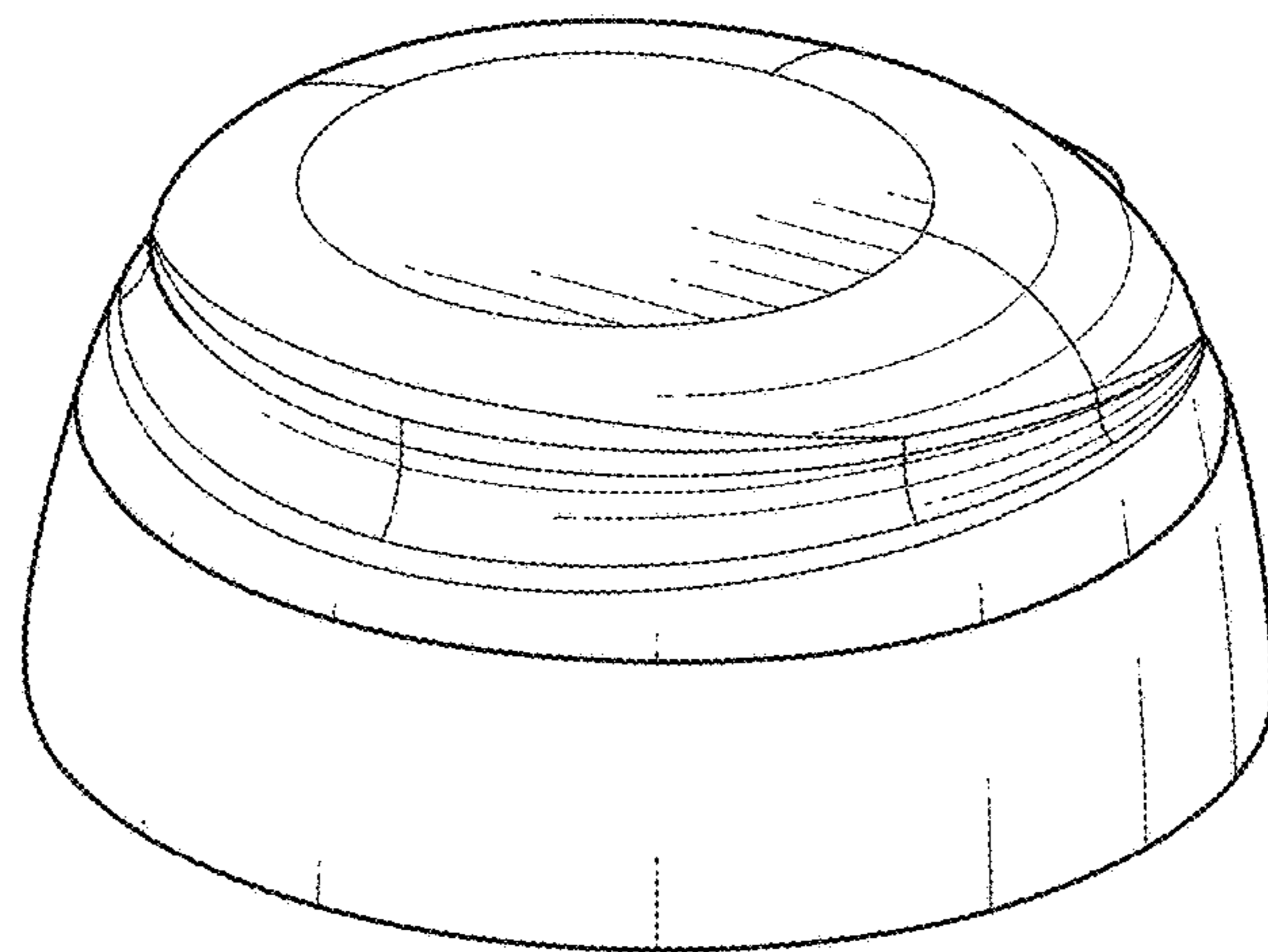


FIG. 2

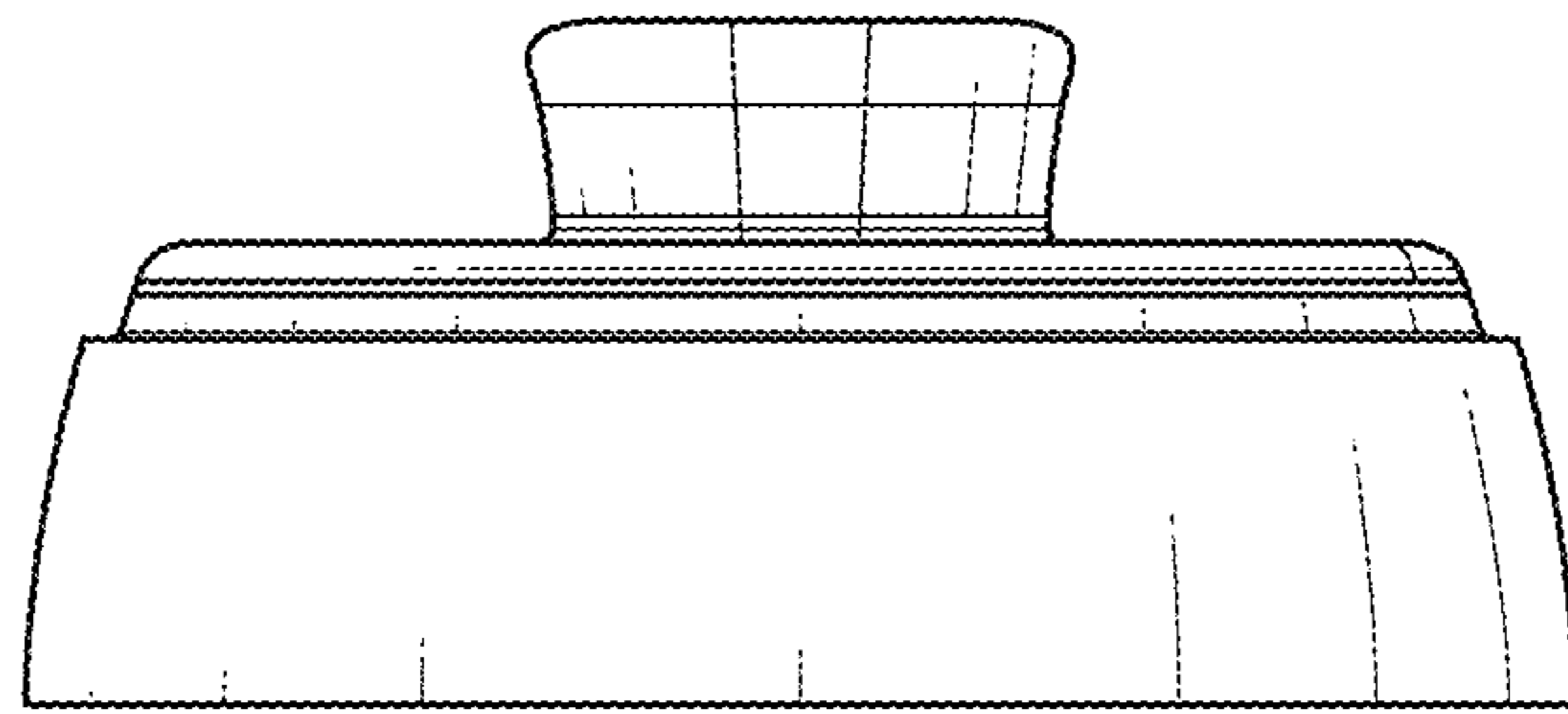


FIG. 3

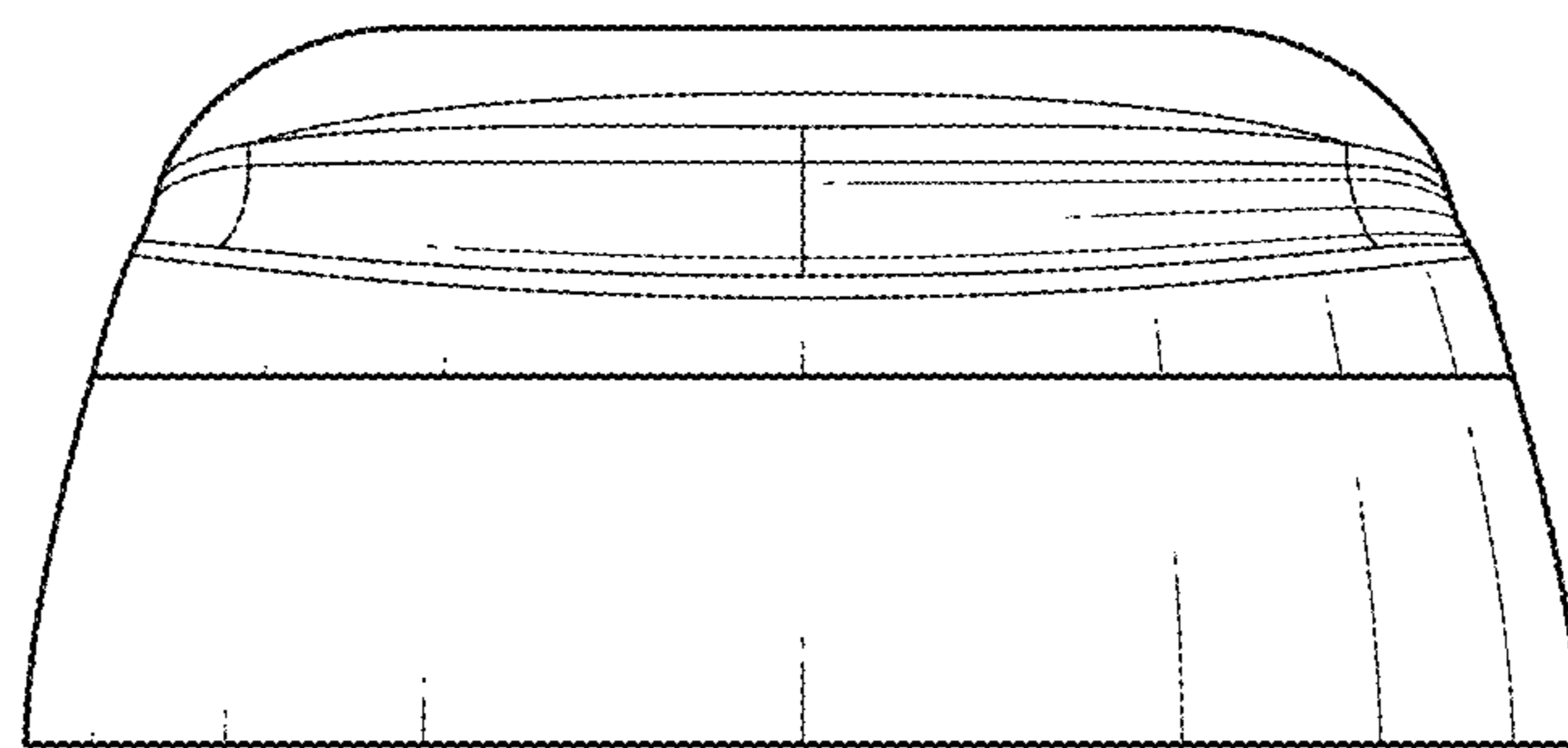


FIG. 4

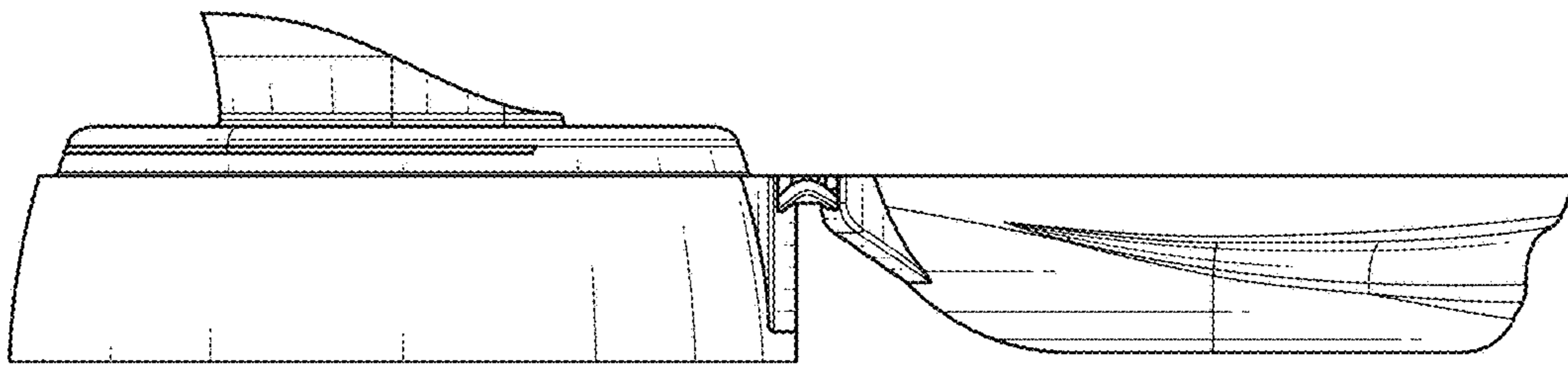


FIG. 5

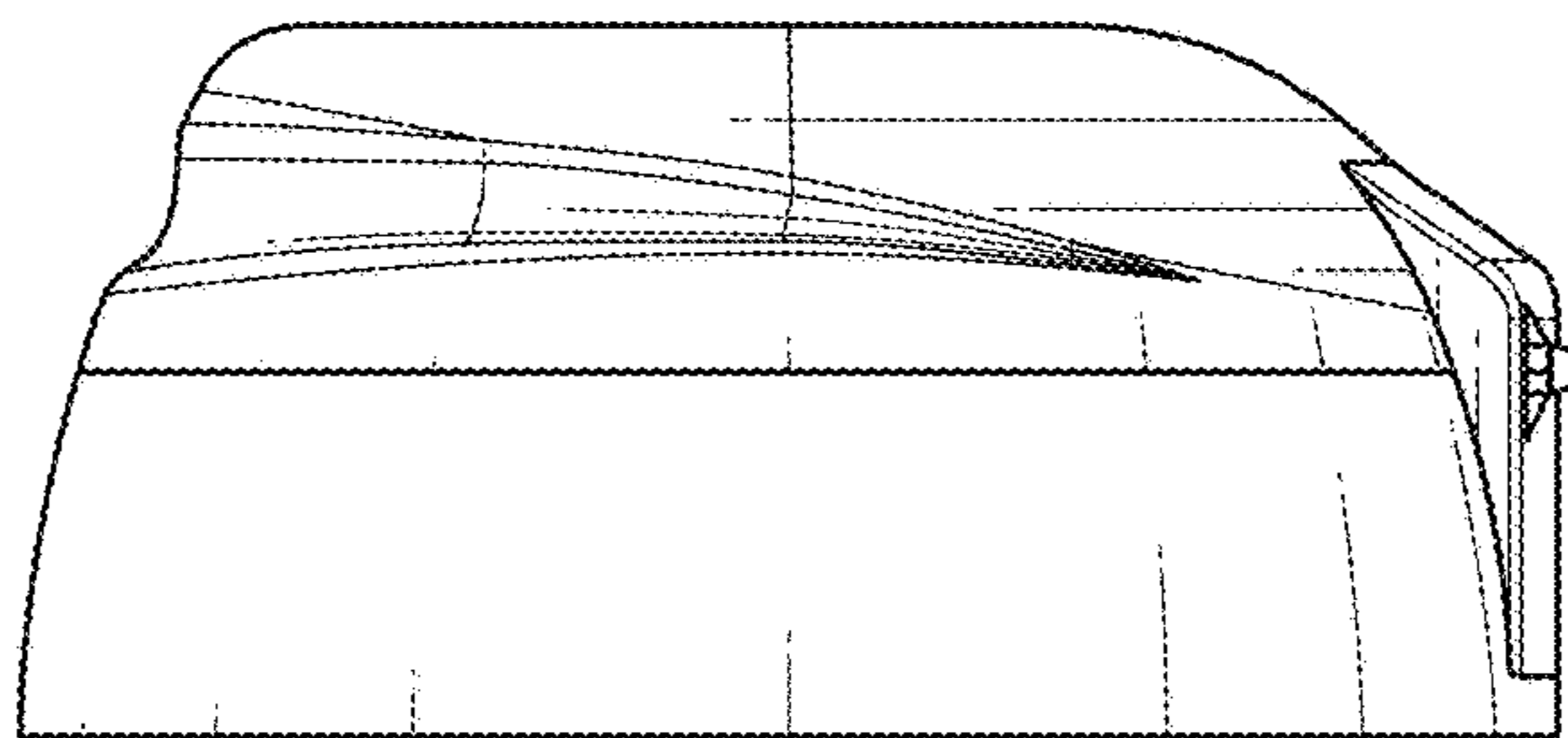


FIG. 6

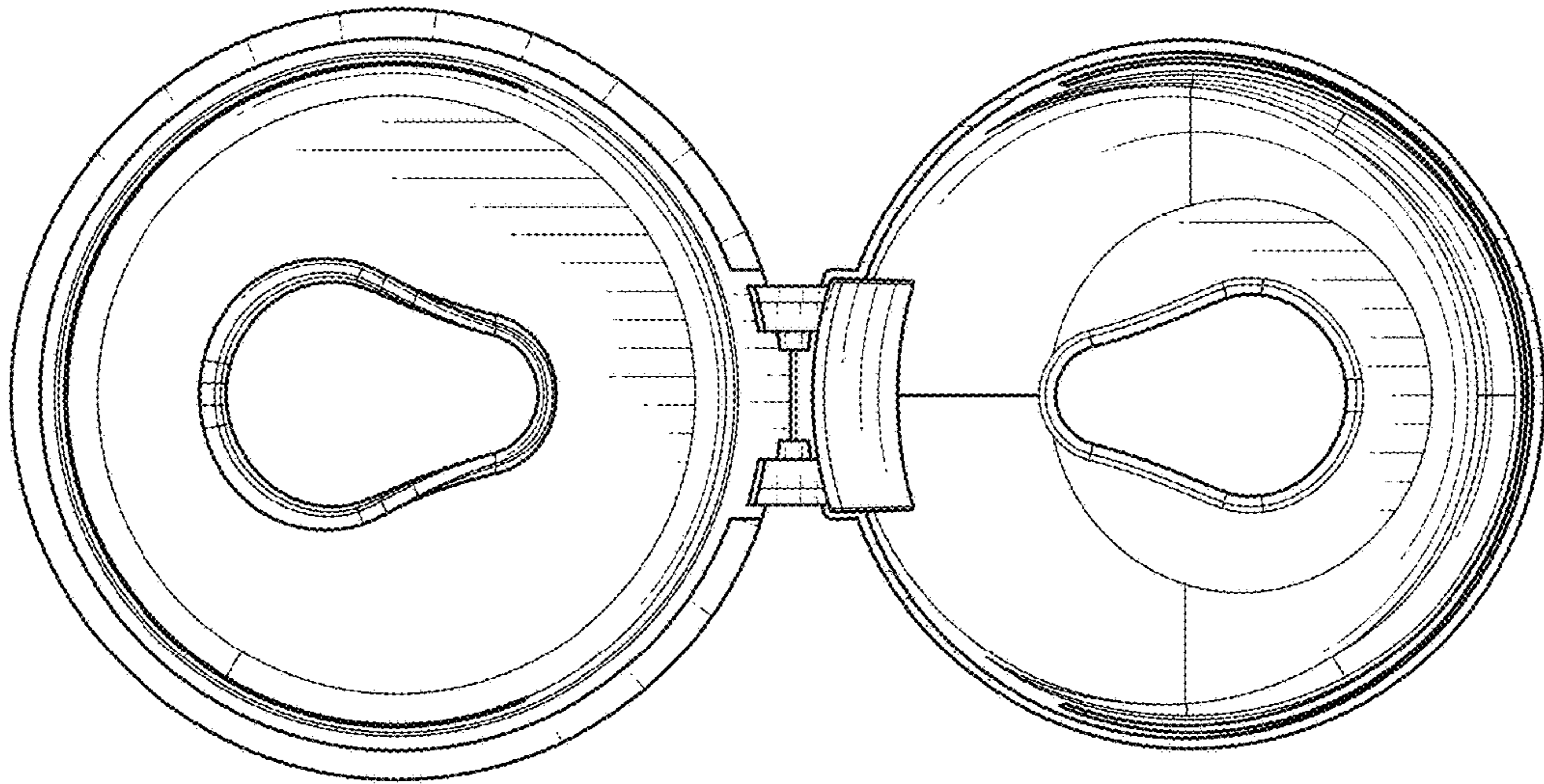


FIG. 7

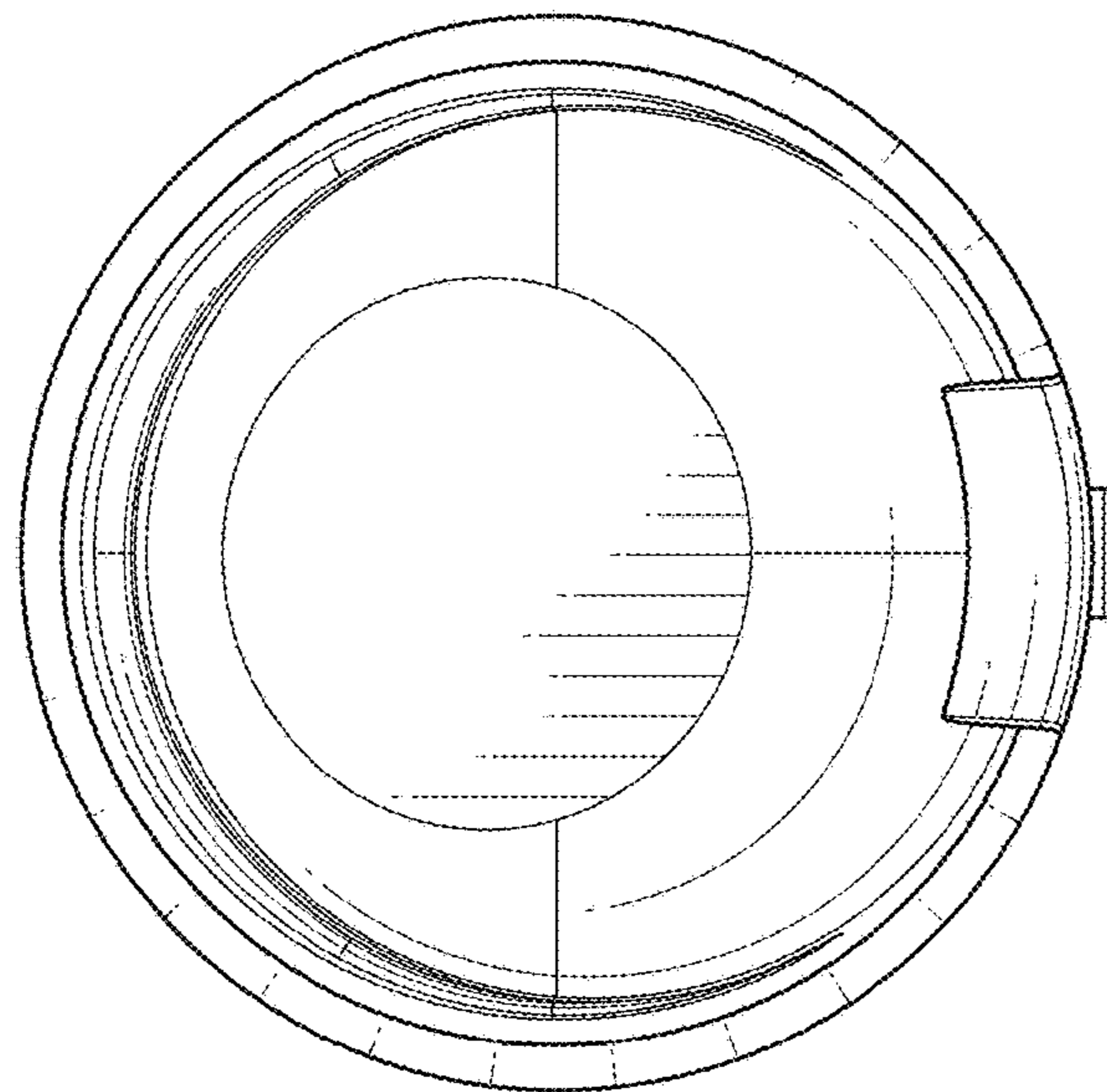


FIG. 8

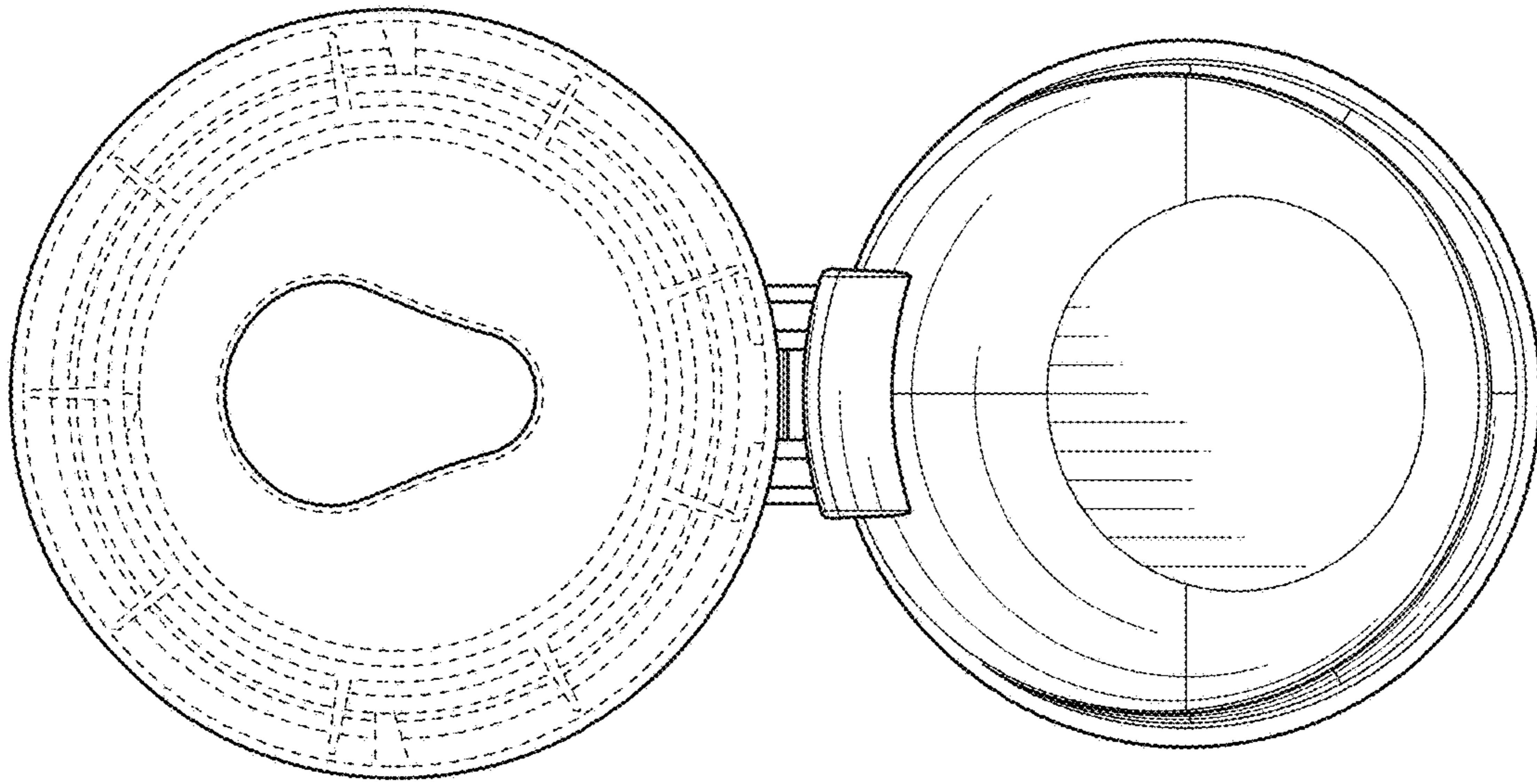


FIG. 9

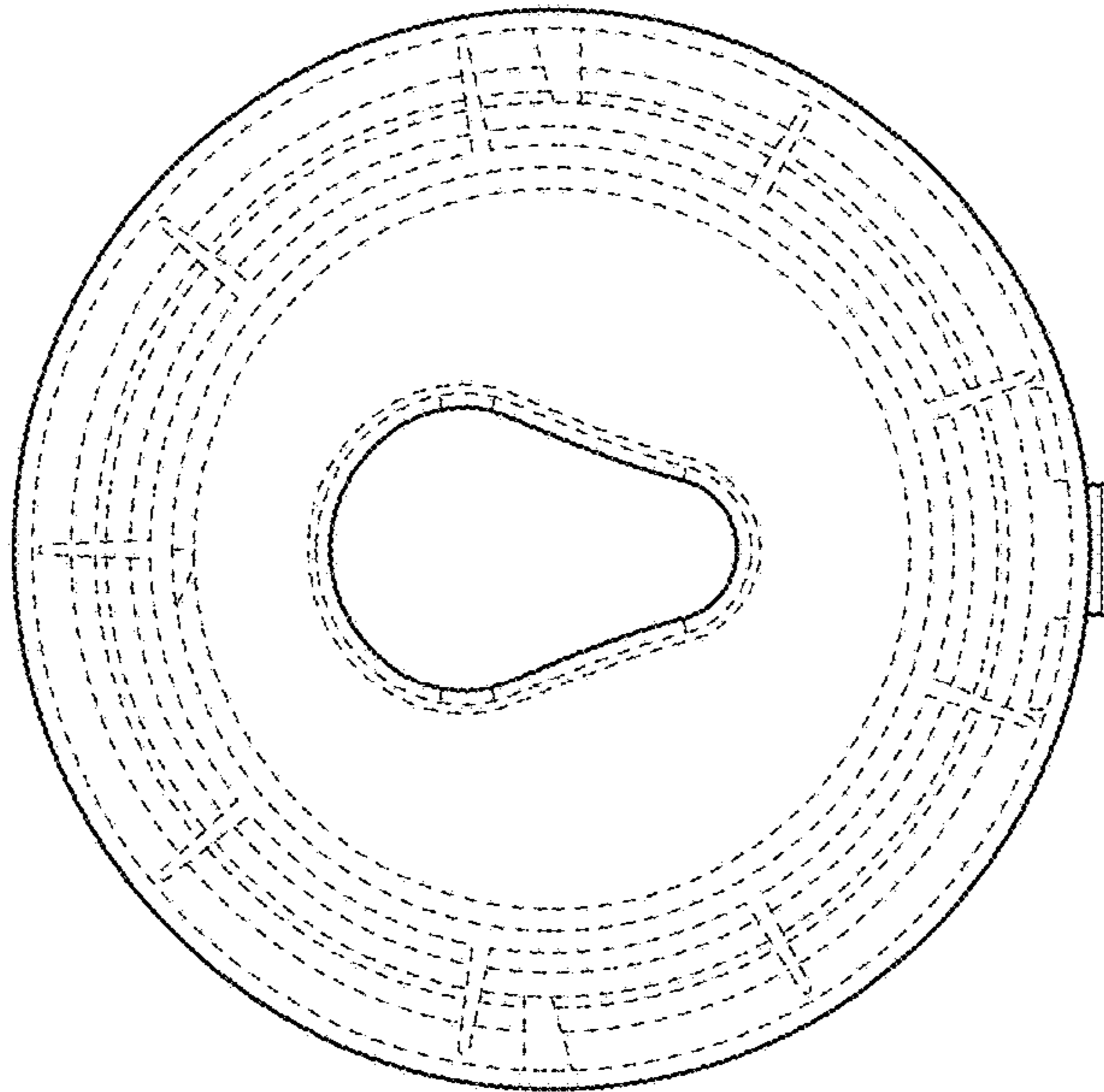


FIG. 10

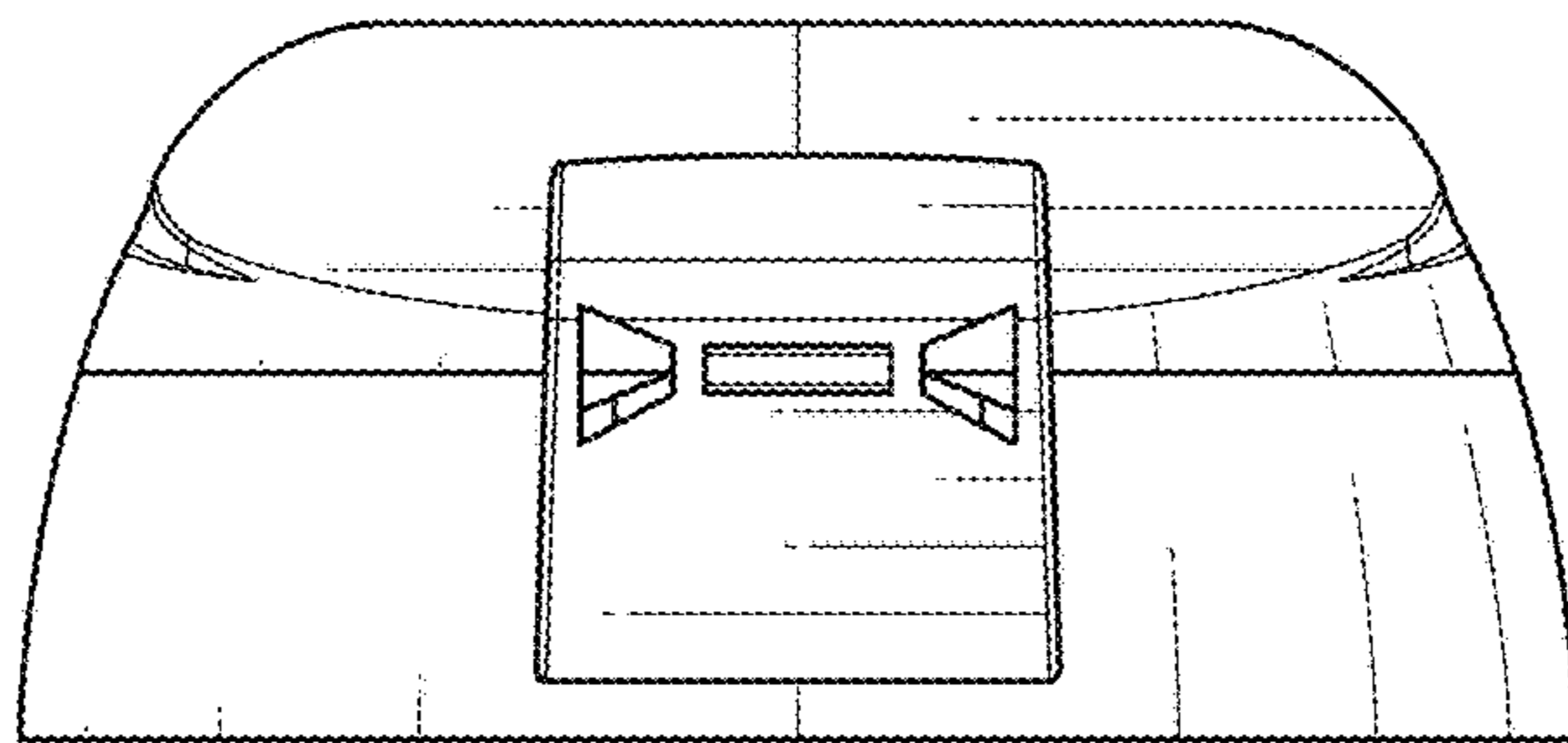


FIG. 11