



US00D818308S

(12) **United States Design Patent** (10) **Patent No.:** **US D818,308 S**
Smith (45) **Date of Patent:** **** May 22, 2018**

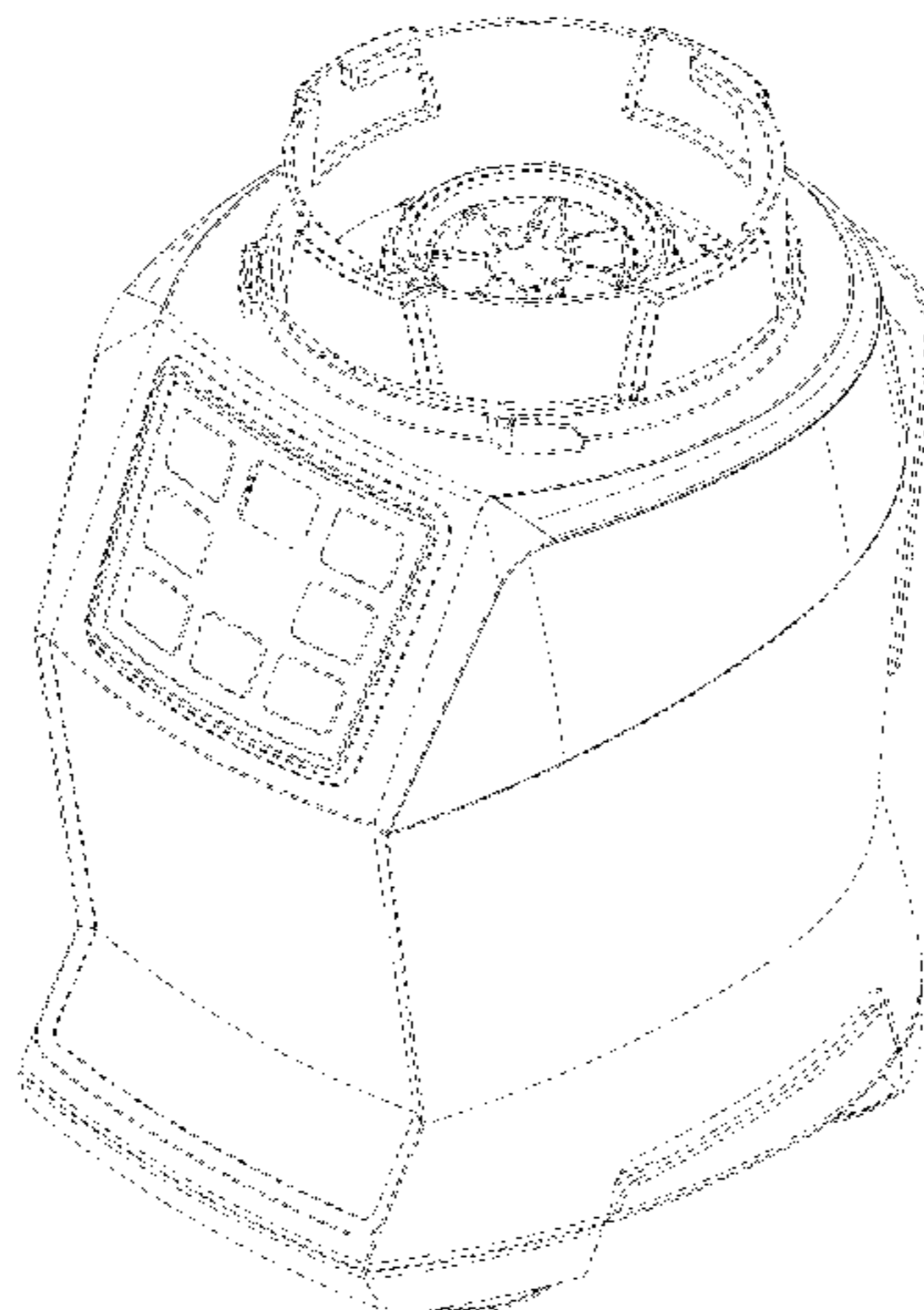
(54) **BLENDER**
 (71) Applicant: **SharkNinja Operating LLC**, Newton, MA (US)
 (72) Inventor: **Cory R. Smith**, Auburndale, MA (US)
 (73) Assignee: **SHARKNINJA OPERATING LLC**, Newton, MA (US)
 (**) Term: **15 Years**
 (21) Appl. No.: **29/600,129**
 (22) Filed: **Apr. 10, 2017**

Related U.S. Application Data

(60) Division of application No. 29/527,670, filed on May 21, 2015, now Pat. No. Des. 786,614, which is a continuation of application No. 29/519,682, filed on Mar. 6, 2015, now Pat. No. Des. 793,153.
 (51) **LOC (11) Cl.** **31-00**
 (52) **U.S. Cl.**
 USPC **D7/386**; D7/376; D7/378
 (58) **Field of Classification Search**
 USPC D7/372, 376-386, 412-413, 602, 629, D7/665-666, 669, 679, 693-694
 CPC A21C 1/02; A21C 1/04; A23N 1/00; A23N 1/02; A47J 43/04; A47J 43/25; A47J 43/27; A47J 43/042; A47J 43/044; A47J 43/046; A47J 43/075; A47J 43/0716; A47J 43/0722; A47J 43/0727; B01F 3/00; B01F 3/0807; B01F 3/0853; B01F 13/0059; B01F 13/0064; B02C 1/08; B02C 2/04; B02C 4/42; B02C 4/142; B02C 4/143; B02C 4/423; B02C 13/1835; B02C 25/00; B28C 5/10; B28C 5/12; B28C 5/14; B28C 5/16
 See application file for complete search history.

D450,978 S 11/2001 Smith
 D488,344 S 4/2004 Seum et al.
 D502,047 S 2/2005 Ledingham et al.
 D512,265 S 12/2005 McCurrach
 D526,531 S 8/2006 Drees et al.
 D533,395 S 12/2006 Drees et al.
 D551,915 S 10/2007 Chang Chien
 D552,412 S 10/2007 Steiner
 D552,419 S 10/2007 Picozza et al.
 D553,904 S 10/2007 Romandy
 D567,578 S 4/2008 Chiappetta
 D568,096 S 5/2008 Sun
 D577,537 S 9/2008 Lee
 D587,961 S 3/2009 Lavy
 7,581,668 B2 9/2009 Mally
 D605,462 S 12/2009 Picozza et al.
 D611,760 S 3/2010 Ball
 D617,136 S 6/2010 Bock et al.
 D617,145 S 6/2010 Picozza et al.
 D625,141 S 10/2010 Moore
 D637,870 S 5/2011 Bock
 D642,857 S 8/2011 Bodum
 D644,480 S 9/2011 Czach et al.
 D645,301 S 9/2011 Tse
 D647,357 S 10/2011 Audette et al.
 D647,367 S 10/2011 Audette et al.
 D647,368 S 10/2011 Audette et al.
 D654,305 S 2/2012 Gursel et al.
 D655,981 S 3/2012 Gursel et al.
 D658,430 S 5/2012 Hoare et al.
 D660,642 S 5/2012 Boozer et al.
 D667,259 S 9/2012 Lee et al.
 D667,260 S 9/2012 Lee et al.
 D667,261 S 9/2012 Lee et al.
 D668,100 S 10/2012 Palermo et al.
 D674,235 S 1/2013 Lee et al.
 D674,658 S 1/2013 Fouquet
 D677,976 S 3/2013 Palermo et al.
 D690,152 S 9/2013 Palermo et al.
 D694,573 S 12/2013 Norland et al.
 D694,574 S 12/2013 Norland et al.
 D694,582 S 12/2013 Norland
 D694,583 S 12/2013 Norland
 D695,060 S 12/2013 Penaherrera et al.
 D696,063 S 12/2013 Coakley et al.
 D702,078 S 4/2014 Coakley et al.
 D704,502 S 5/2014 Coakley et al.
 D711,688 S 8/2014 Prats
 D730,681 S 6/2015 Smith et al.
 D730,682 S 6/2015 Tu
 D730,683 S 6/2015 Tu
 D731,850 S 6/2015 Smith
 D733,488 S 7/2015 Tu

(56) **References Cited**
 U.S. PATENT DOCUMENTS
 D242,208 S 11/1976 Madl et al.
 D404,606 S 1/1999 Huang
 D404,607 S 1/1999 Huang



D745,317 S	12/2015	Dichraff et al.	
9,265,381 B2	2/2016	Beber et al.	
D755,003 S	5/2016	Palermo et al.	
D761,617 S	7/2016	Dennisur et al.	
D765,462 S	9/2016	Davies	
D765,465 S	9/2016	Du	
D766,649 S	9/2016	Suzuki	
9,439,538 B2 *	9/2016	Paget	A47J 43/0716
D771,999 S	11/2016	Kettavong et al.	
D772,011 S	11/2016	Barquin et al.	
D772,650 S	11/2016	Barquin et al.	
D773,247 S	12/2016	Barquin et al.	
D773,248 S	12/2016	Barquin et al.	
D773,249 S	12/2016	Barquin et al.	
D778,665 S *	2/2017	Barquin	D7/376
D780,507 S *	3/2017	Barquin	D7/376
D783,340 S *	4/2017	Palermo	D7/376
D783,355 S *	4/2017	Tu	D7/376
D786,613 S	5/2017	McConnell et al.	
D786,614 S	5/2017	Smith et al.	
D786,615 S	5/2017	Tsai	
D787,882 S	5/2017	McConnell et al.	
D789,735 S	6/2017	Palermo et al.	
D789,736 S	6/2017	Palermo et al.	
D793,153 S *	8/2017	Tu	D7/376
D794,384 S *	8/2017	Lee	D7/376
D795,005 S *	8/2017	Coakley	D7/376
D797,496 S *	9/2017	Gee, II	D7/376
D797,505 S *	9/2017	Tu	D7/376
2008/0089170 A1	4/2008	Larsen et al.	
2008/0089171 A1	4/2008	Larsen et al.	
2008/0219089 A1	9/2008	Sandford et al.	
2009/0129200 A1	5/2009	Breviere et al.	
2010/0246319 A1	9/2010	Pryor, Jr. et al.	
2014/0247686 A1 *	9/2014	Arnett	A47J 43/046 366/205
2016/0220071 A1 *	8/2016	Hewitt	A47J 43/0727
2016/0331182 A1 *	11/2016	Golino	B02C 25/00

FOREIGN PATENT DOCUMENTS

EM 0013887970002 8/2013

OTHER PUBLICATIONS

Application for Registration of an Industrial Design Examiner's Report; Canadian Application No. 172856; dated May 31, 2017; 3 Pages.

Application for Registration of an Industrial Design Examiner's Report; Canadian Application No. 172857; dated May 31, 2017; 3 Pages.

Design No. 28449; Soviet Design Gazette; vol. 3; Published: Sep. 15, 1990; pp. 180-181.

Japanese Design No. D1491535 (S); Publication Date: Mar. 3, 2014; Machine Translation; 9 Pages.

Japanese Design No. D1491536 (S); Publication Date: Mar. 3, 2014; Machine Translation; 9 Pages.

Japanese Design No. D1518840 (S); Publication Date: Mar. 9, 2015; Machine Translation; 10 Pages.

Japanese Design No. D1523840 (S); Publication Date: May 18, 2015; Machine Translation; 9 Pages.

Japanese Design No. D1528172 (S); Publication Date: Jul. 6, 2015; Machine Translation; 9 Pages.

Japanese Design No. D1533047 (S); Publication Date: Sep. 7, 2015; Machine Translation; 9 Pages.

Notice of Allowance; Blender Base; U.S. Appl. No. 29/531,840, filed Jun. 30, 2015; dated Oct. 4, 2016; 7 Pages.

Notice of Allowance; Blender Base; U.S. Appl. No. 29/531,840, filed Jun. 30, 2015; dated Nov. 25, 2016; 11 Pages.

Notice of Allowance; Blender Base; U.S. Appl. No. 29/531,840, filed Jun. 30, 2015; dated Feb. 16, 2017; 11 Pages.

Notice of Allowance; Blender; U.S. Appl. No. 29/519,682, filed Mar. 6, 2015; dated Aug. 12, 2016; 6 Pages.

Notice of Allowance; Blender; U.S. Appl. No. 29/519,682, filed Mar. 6, 2015; dated Sep. 23, 2016; 12 Pages.

Notice of Allowance; Blender; U.S. Appl. No. 29/527,670, filed May 21, 2015; dated Aug. 9, 2016; 7 Pages.

Notice of Allowance; Blender; U.S. Appl. No. 29/527,670, filed May 21, 2015; dated Sep. 27, 2016; 12 Pages.

Notice of Allowance; U.S. Appl. No. 29/519,682, filed Mar. 6, 2015; Blender; dated Jan. 9, 2017; 11 Pages.

Notice of Allowance; U.S. Appl. No. 29/527,670, filed May 21, 2015; Blender; dated Jan. 9, 2017; 11 Pages.

Notice of Completion of Formalities for Patent Register and Notice of Grant of Design Patent Right; Chinese Application No. 2017300502943; Dated of Mailing: Jun. 19, 2017; 5 Pages.

Notice of Completion of Formalities for Patent Register and Notice of Grant of Design Patent Right; Chinese Application No. 2017300505640; Date of Mailing: Jul. 11, 2017; 5 Pages.

Notice of Completion of Formalities for Patent Register and Notice of Grant of Design Patent Right; Chinese Application No. 201730050566X; Date of Mailing: Jul. 10, 2017; 5 Pages.

Notice of Completion of Formalities for Patent Register and Notice of Grant of Design Patent Right; Chinese Application No. 2017300523386; Date of Mailing: Jun. 6, 2017; 5 Pages.

Notice of Completion of Formalities for Patent Register and Notice of Grant of Design Patent Right; Chinese Application No. 2017300541897; Date of Mailing: Jul. 18, 2017; 5 Pages.

Notice of Completion of Formalities for Patent Register and Notice of Grant of Design Patent Right; Chinese Application No. 2017300544679; Date of Mailing: Jul. 6, 2017; 5 Pages.

Notice of Completion of Formalities for Patent Register and Notice of Grant of Design Patent Right; Chinese Application No. 2017300546640; Date of Mailing: Jun. 21, 2017; 5 Pages.

Notice of References; Japanese Design Application No. 2015-19809; dated Jan. 8, 2016; 2 Pages.

Notice of References; Japanese Design Application No. 2015-19810; dated Jan. 8, 2016; 2 Pages.

Notice of References; Japanese Design Application No. 2015-19811; dated Jan. 8, 2016; 2 Pages.

Notice of References; Japanese Design Application No. 2015-19812; dated Jan. 8, 2016; 2 Pages.

Notice of References; Japanese Design Application No. 2015-19813; dated Jan. 8, 2016; 2 Pages.

Notice of References; Japanese Design Application No. 2015-19814; dated Jan. 8, 2016; 2 Pages.

Notice of References; Japanese Design Application No. 2015-19815; dated Jan. 8, 2016; 2 Pages.

Notice of References; Japanese Design Application No. 2015-19816; dated Jan. 8, 2016; 2 Pages.

Notice of References; Japanese Design Application No. 2015-19817; dated Jan. 8, 2016; 2 Pages.

Requirement for Restriction/Election; Blender; U.S. Appl. No. 29/519,682, filed Mar. 6, 2015; 6 Pages.

Requirement for Restriction/Election; Blender; U.S. Appl. No. 29/527,670, filed May 21, 2015; 6 Pages.

Requirement for Restriction/Election; Blender; U.S. Appl. No. 29/531,840, filed Jun. 30, 2015; 7 Pages.

Requirement for Restriction/Election; U.S. Appl. No. 29/576,018, filed Aug. 31, 2016; Food Processor and Parts Thereof; dated Jul. 6, 2017; 7 Pages.

Requirement for Restriction/Election; U.S. Appl. No. 29/576,020, filed Aug. 31, 2016; Food Processor and Parts Thereof; dated Jul. 5, 2017; 7 Pages.

Requirement for Restriction/Election; U.S. Appl. No. 29/576,021, filed Aug. 31, 2016; Food Processor and Parts Thereof; dated Jul. 6, 2017; 7 Pages.

Walmart; "Oster 600-Watt Fusion Blender, BRLY07-B00-000"; URL: <http://www.walmart.com/ip/Oster-600-Watt-Fusion-Blender/9604653>; URL Accessed: Jul. 29, 2016; 8 Pages.

Notice of Completion of Formalities for Patent Register and Notice of Grant of Design Patent Right; Chinese Application No. 201730052179X; dated Aug. 2, 2017; 5 Pages.

Notification of Reasons for Rejection; Japanese Design Application No. 2017-003904; dated Jun. 9, 2017; 3 Pages.

Notification of Reasons for Rejection; Japanese Design Application No. 2017-003905; dated Jun. 9, 2017; 3 Pages.

Notice of Completion of Formalities for Patent Register and Notice of Grant of Design Patent Right; Chinese Application No. 2017300521056; dated Aug. 29, 2017; 5 Pages.

Notice of Decision for Design Registration; Korean Design Application No. 30-2017-0009475; dated Aug. 18, 2017; 6 Pages.

Notice of Decision for Design Registration; Korean Design Application No. 30-2017-0009476; dated Sep. 11, 2017; 6 Pages.

Notice of Decision for Design Registration; Korean Design Application No. 30-2017-0009477; dated Aug. 18, 2017; 6 Pages.

Notice of Decision for Design Registration; Korean Design Application No. 30-2017-0009479; dated Aug. 22, 2017; 6 Pages.

Notice of Decision for Design Registration; Korean Design Application No. 30-2017-0009482; dated Aug. 22, 2017; 6 Pages.

Notice of Decision for Design Registration; Korean Design Application No. 30-2017-0009483; dated Aug. 18, 2017; 6 Pages.

Notice of Decision for Design Registration; Korean Design Application No. 30-2017-0009486; dated Aug. 22, 2017; 6 Pages.

Notice of Decision for Design Registration; Korean Design Application No. 30-2017-0009488; dated Aug. 22, 2017; 6 Pages.

Notice of Preliminary Rejection; Korean Application No. 30-2017-0009484; dated Aug. 18, 2017; 7 Pages.

Notice of Preliminary Rejection; Korean Application No. 30-2017-0009485; dated Aug. 18, 2017; 6 Pages.

Notice of Allowance; U.S. Appl. No. 29/600,126; dated Apr. 10, 2017; Blender; dated Nov. 15, 2017; 21 Pages.

Notice of Decision for Design Registration; Korean Application No. 30-2017-0009484; dated Nov. 5, 2017; 6 Pages.

Notice of Decision for Design Registration; Korean Application No. 30-2017-0009485; dated Nov. 5, 2017; 6 Pages.

Notice of Allowance; U.S. Appl. No. 29/576,021, filed Aug. 31, 2016; Food Processor and Parts Thereof; dated Nov. 15, 2017; 34 Pages.

Application for Registration of an Industrial Design Examiner's Report; Canadian Application No. 172856; dated Sep. 20, 2017; 2 Pages.

Application for Registration of an Industrial Design Examiner's Report; Canadian Application No. 172857; dated Sep. 20, 2017; 2 Pages.

Japanese Design No. D1545614 (S); Publication Date: Mar. 14, 2016; Machine Translation; 6 Pages.

Notice of Allowance; Japanese Application No. 2017-003904; dated Oct. 6, 2017; 4 Pages.

Notice of Allowance; Japanese Application No. 2017-003905; dated Oct. 6, 2017; 4 Pages.

Notice of Allowance; U.S. Appl. No. 29/576,018, filed Aug. 31, 2016; Food Processor and Parts Thereof; dated Oct. 25, 2017; 27 Pages.

Notice of Allowance; U.S. Appl. No. 29/576,020, filed Aug. 31, 2016; Food Processor and Parts Thereof; dated Oct. 16, 2017; 32 Pages.

Requirement for Restriction/Election; Blender; U.S. Appl. No. 29/604,189, filed May 16, 2017; dated Oct. 10, 2017; 33 Pages.

* cited by examiner

Primary Examiner — Ricky Pham
(74) *Attorney, Agent, or Firm* — Cantor Colburn LLP

(57) **CLAIM**

The ornamental design for a blender, as shown and described.

DESCRIPTION

FIG. 1 is a perspective view of an embodiment of a blender showing my new design;
FIG. 2 is a front elevational view thereof;
FIG. 3 is a rear elevational view thereof;
FIG. 4 is a left side elevational view thereof;
FIG. 5 is a right side elevational view thereof;
FIG. 6 is a top plan view thereof; and,
FIG. 7 is a bottom plan view thereof.
The broken lines in the drawings are for illustrative purposes only and form no part of the claimed design.

1 Claim, 7 Drawing Sheets

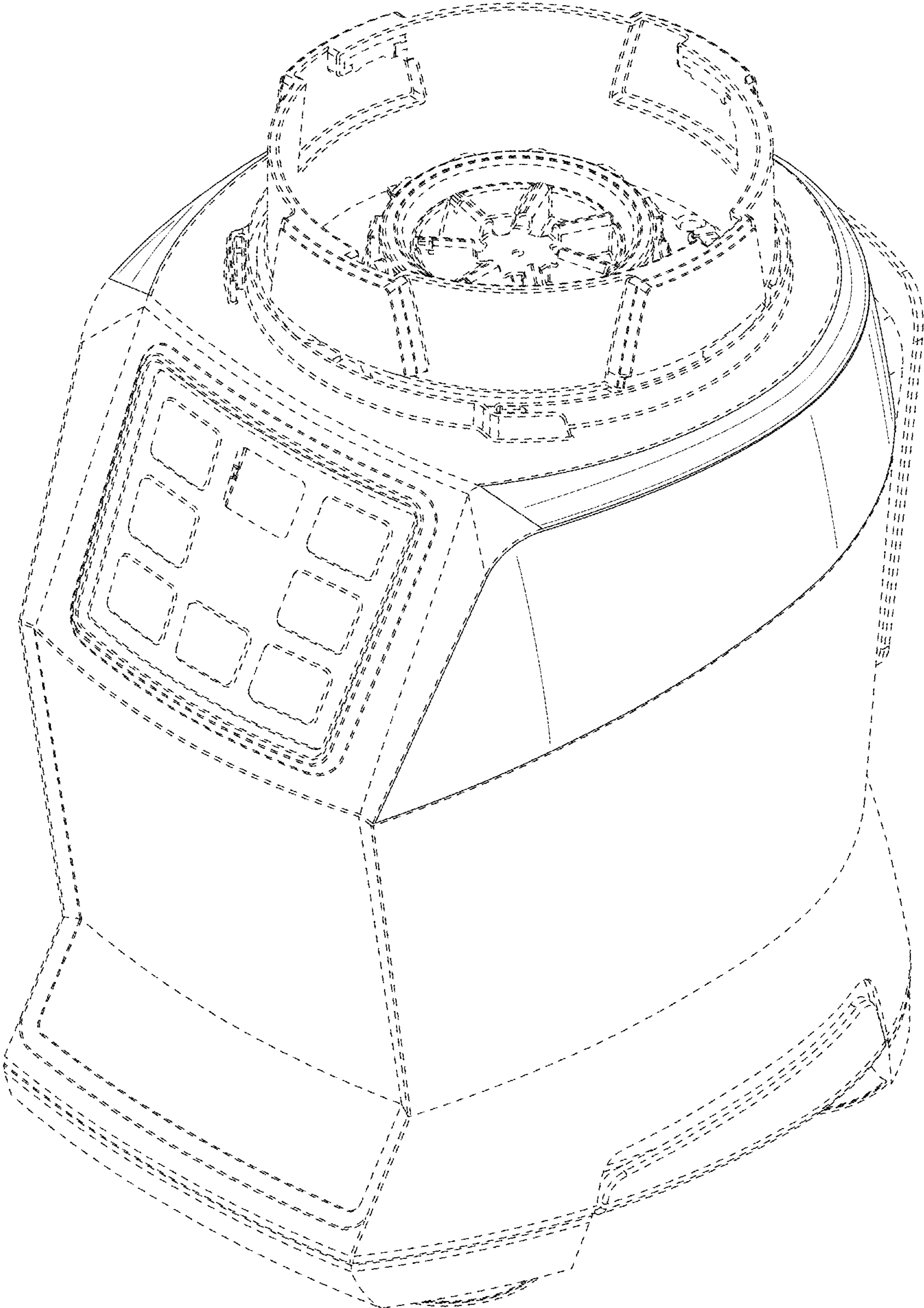


FIG. 1

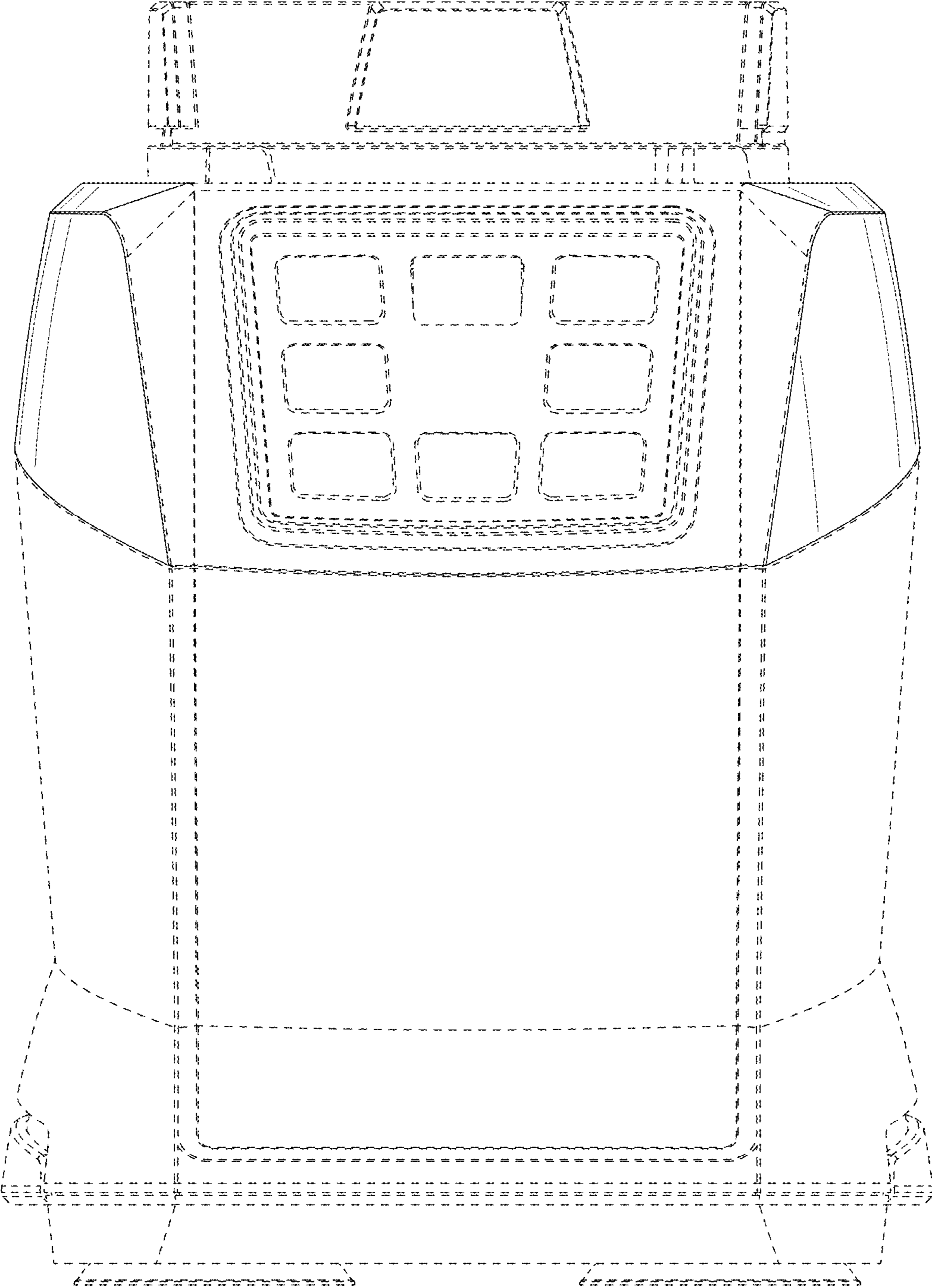


FIG. 2

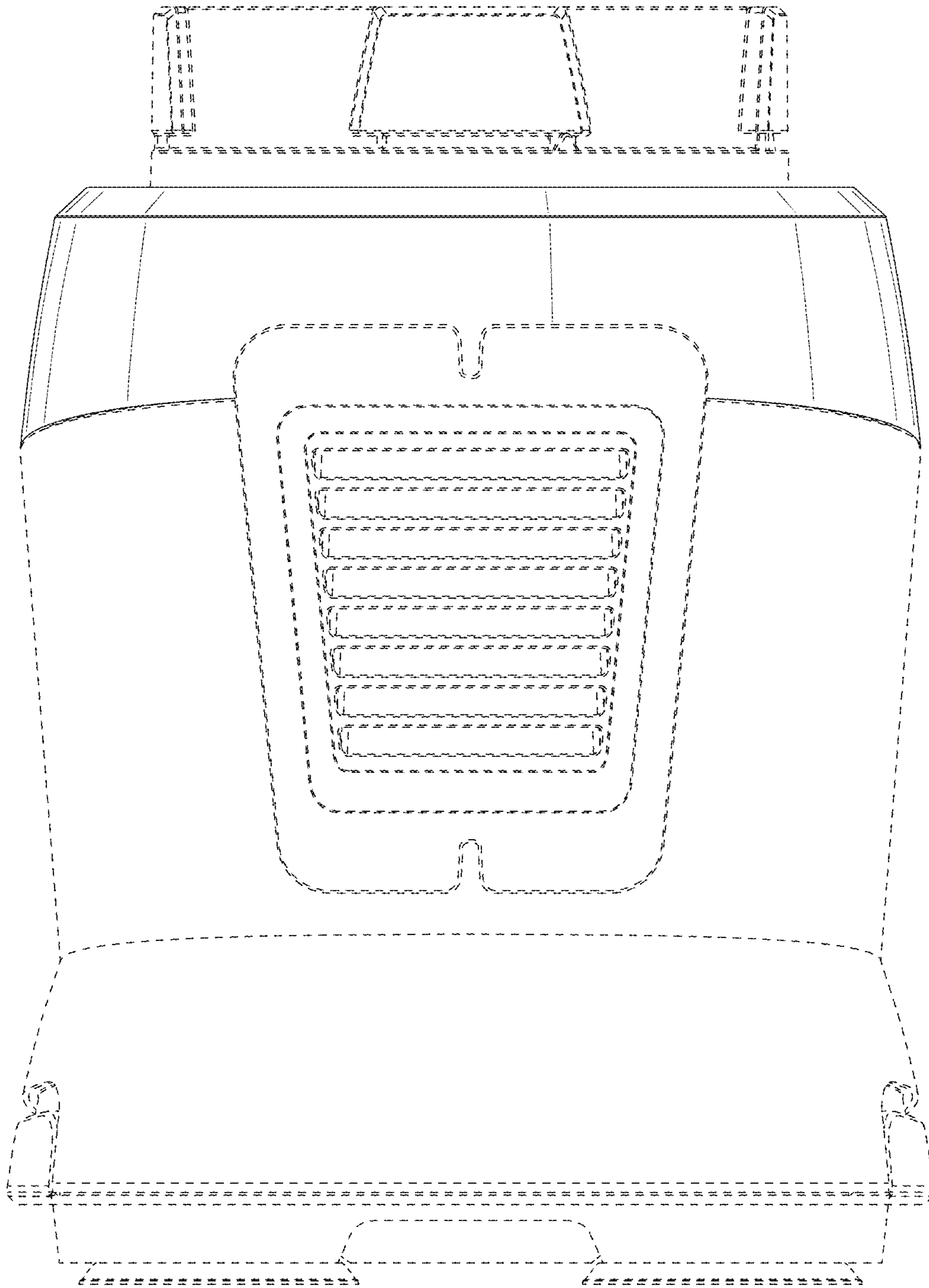


FIG. 3

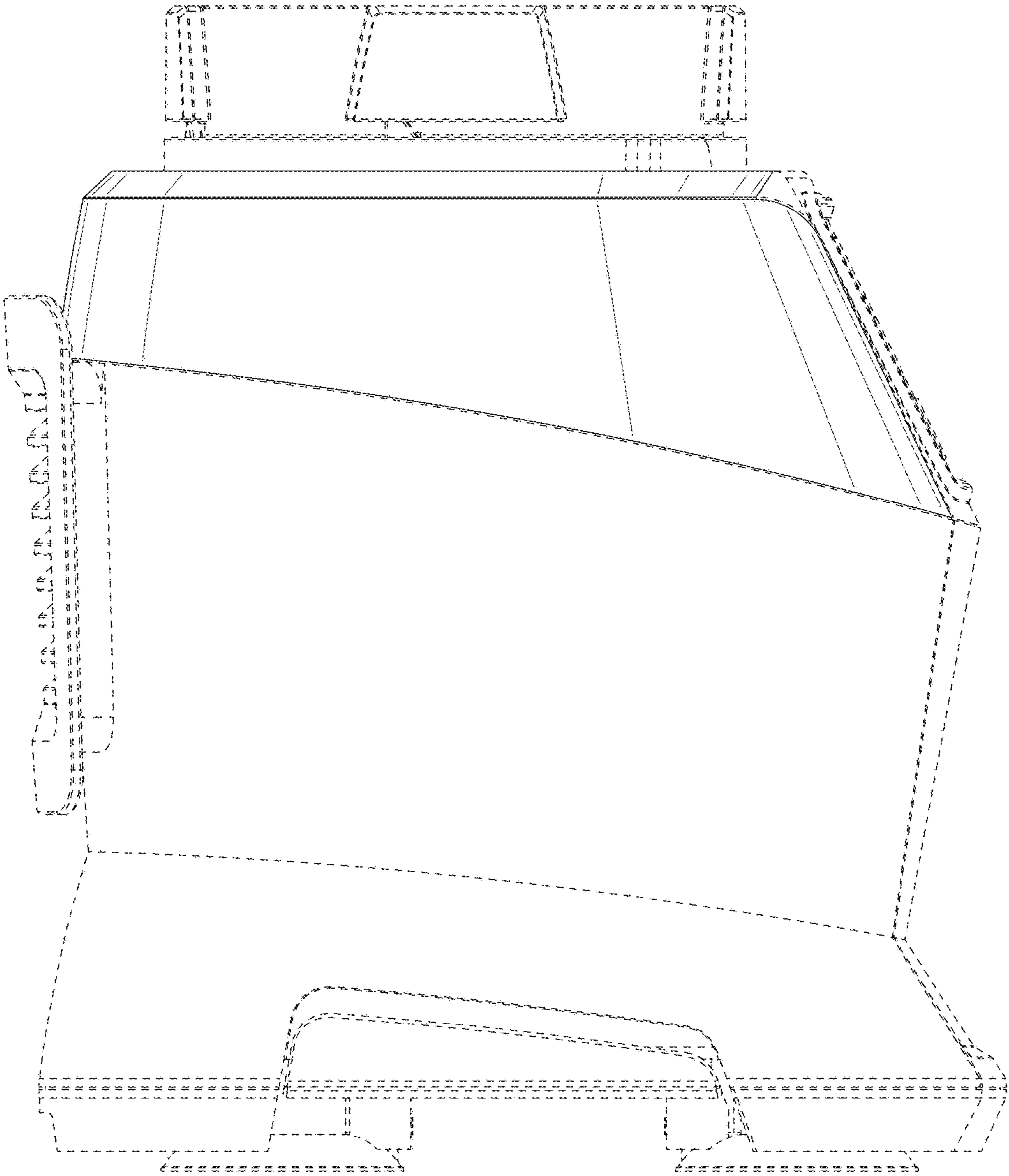


FIG. 4

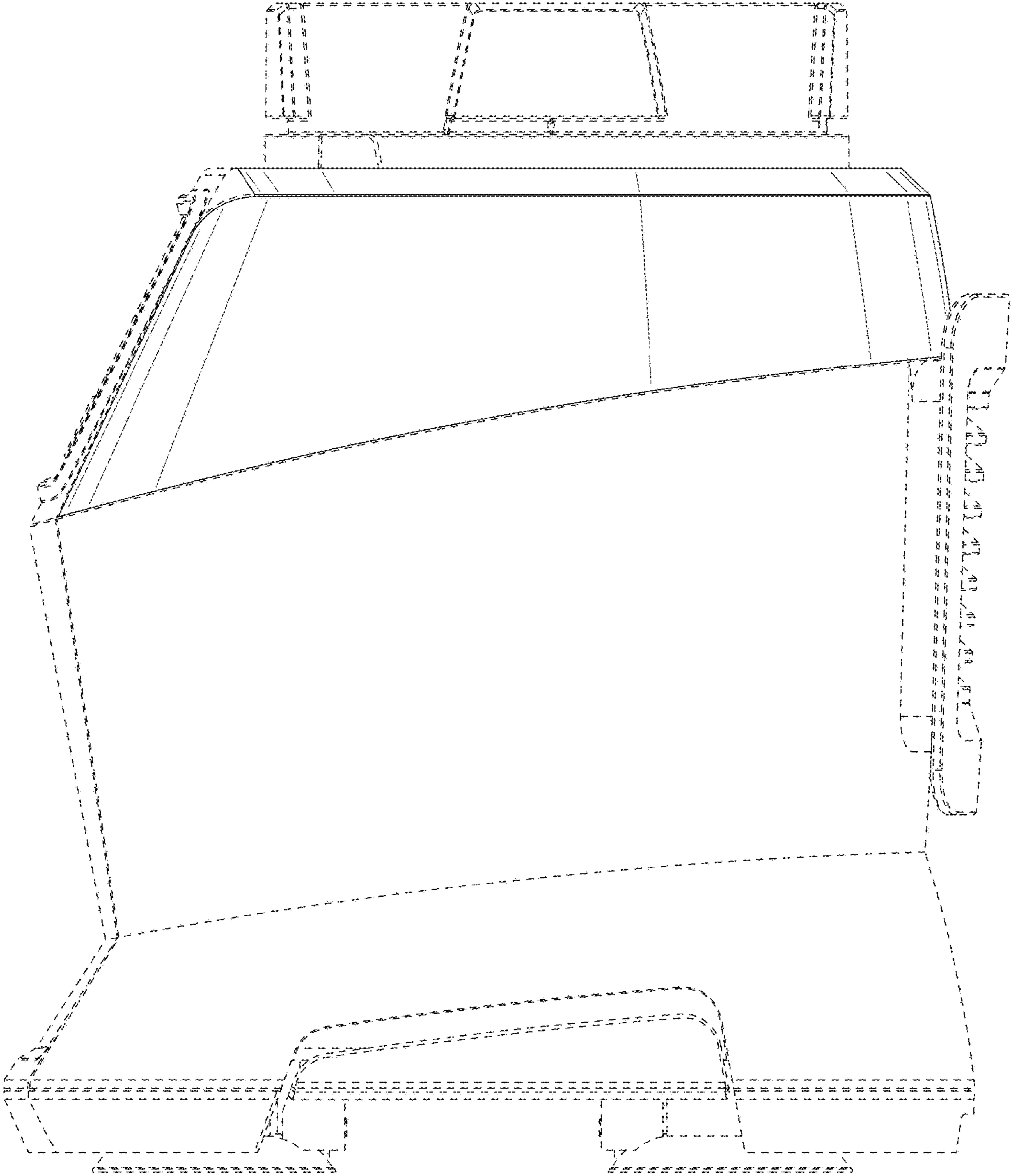


FIG. 5

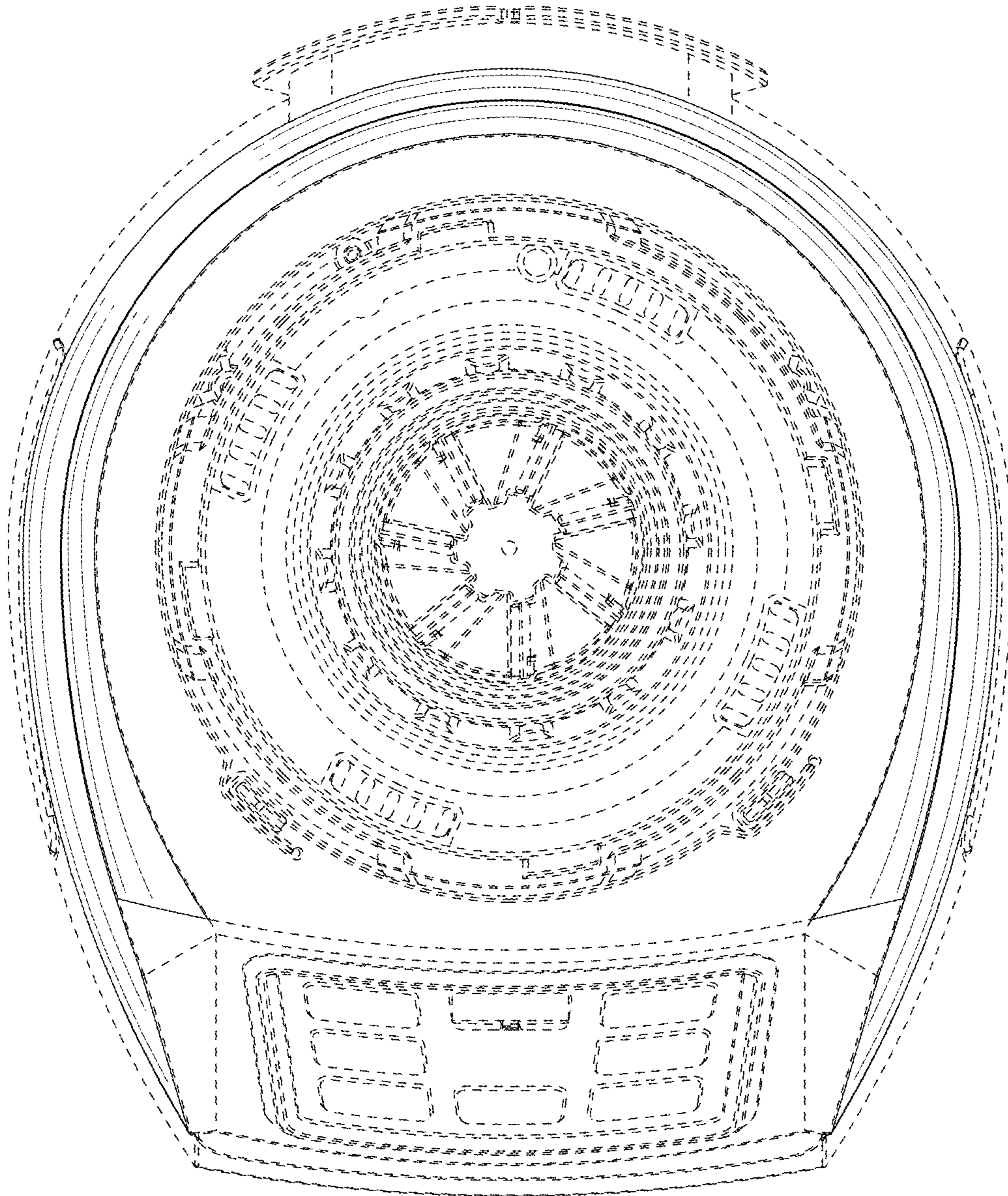


FIG. 6

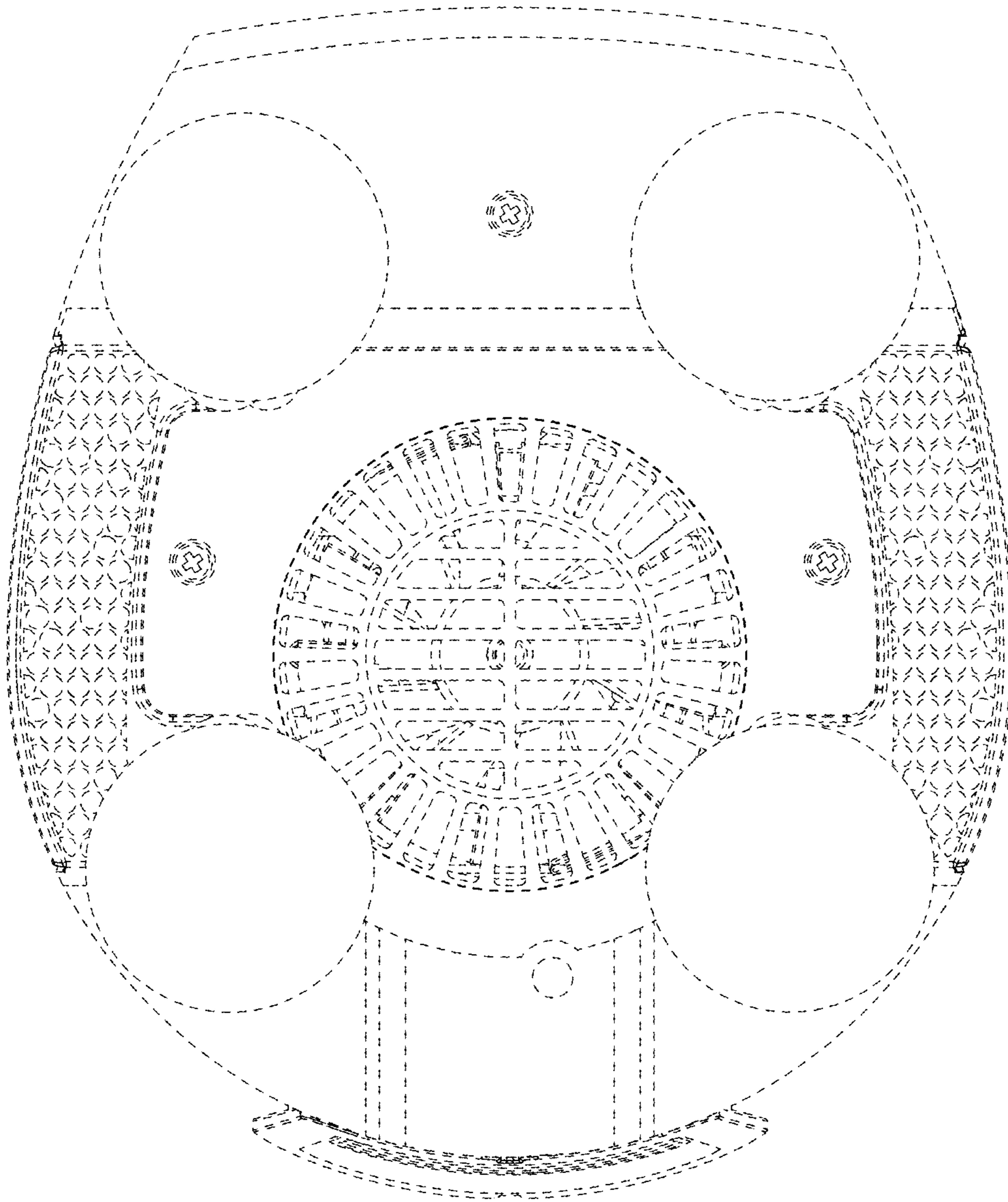


FIG. 7