



US00D818302S

(12) **United States Design Patent** (10) **Patent No.:** **US D818,302 S**
Magee (45) **Date of Patent:** **** May 22, 2018**

- (54) **PORTABLE GRILL**
- (71) Applicant: **Travis M. Magee**, Rowlett, TX (US)
- (72) Inventor: **Travis M. Magee**, Rowlett, TX (US)
- (**) Term: **15 Years**
- (21) Appl. No.: **29/598,661**
- (22) Filed: **Mar. 28, 2017**
- (51) **LOC (11) Cl.** **07-02**
- (52) **U.S. Cl.**
USPC **D7/337**
- (58) **Field of Classification Search**
USPC D7/332-337, 352, 402-411; D3/294,
D3/276, 291
CPC A47J 37/0713; A47J 37/0763; A47J
37/0611; A47J 37/0704; A47J 37/0777;
A47J 37/0786; A47J 33/00; F24B 1/202;
F24B 1/022; F24C 1/16
See application file for complete search history.

D144,070 S *	3/1946	Rasmussen	D7/332
D309,213 S *	7/1990	Chaney	D3/291
D312,173 S *	11/1990	Smith	D3/291
D520,803 S *	5/2006	Lu	D7/335
D662,761 S *	7/2012	Wahl	D7/354
D766,410 S *	9/2016	Miller	D7/332
D788,518 S *	6/2017	Aggarwal	D7/360
2015/0289715 A1 *	10/2015	Hartkorn	A47J 37/0713 126/59

* cited by examiner

Primary Examiner — Susan Bennett Hattan
Assistant Examiner — Brett Miller
(74) *Attorney, Agent, or Firm* — Mitchell Law PLLC;
Matthew W. Mitchell

(57) **CLAIM**
The ornamental design for a portable grill, as shown.

DESCRIPTION

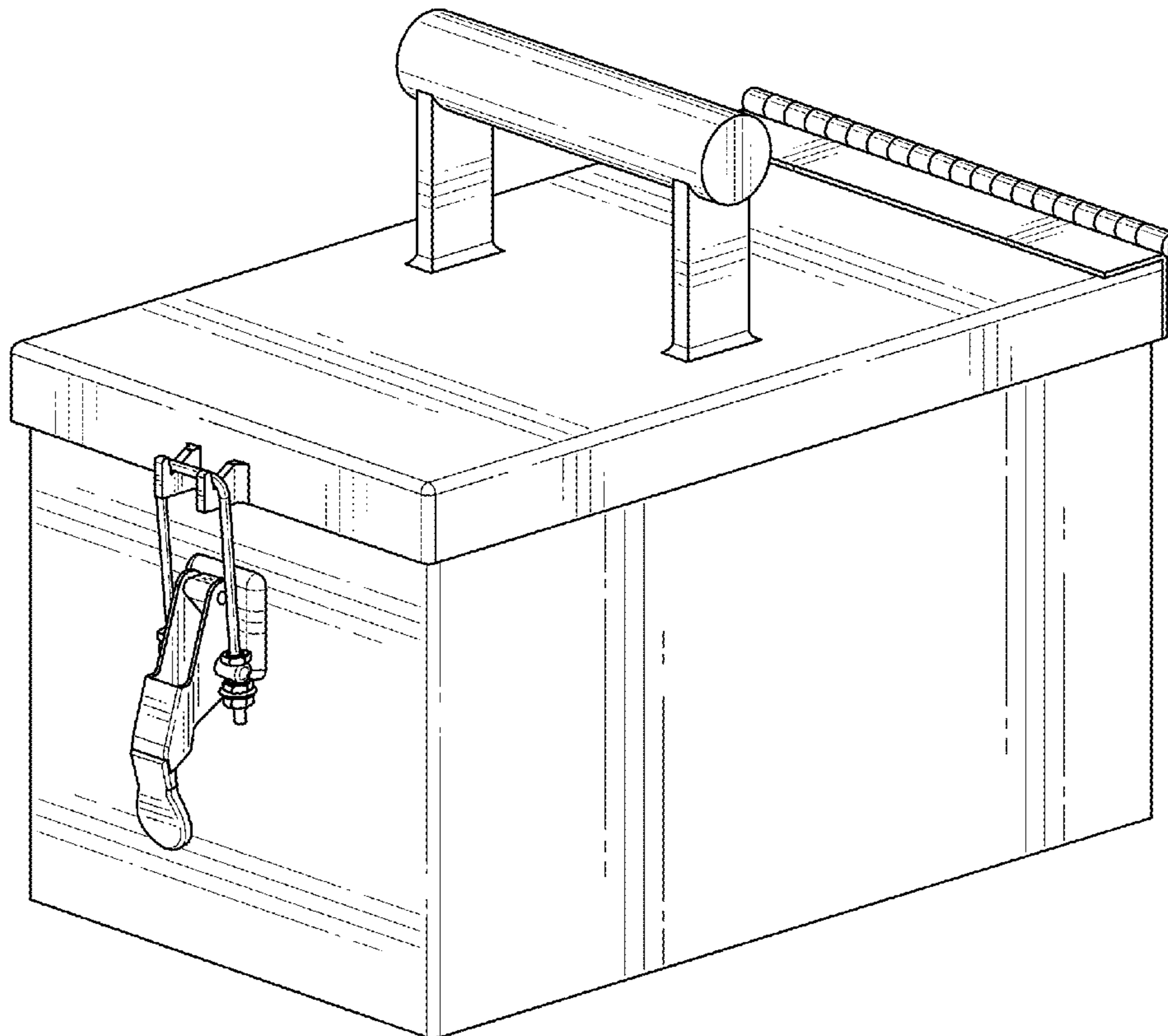
FIG. 1 is a front isometric view of the portable grill of the present invention;
FIG. 2 is a front view of the invention of FIG. 1;
FIG. 3 is a back view of the invention of FIG. 1;
FIG. 4 is a side view of the invention of FIG. 1, as seen from the right side of FIG. 2;
FIG. 5 is a side view of the invention of FIG. 1, as seen from the left side of FIG. 2; and,
FIG. 6 is a top plan view of the invention of FIG. 1.

1 Claim, 6 Drawing Sheets

(56) **References Cited**

U.S. PATENT DOCUMENTS

568,393 A *	9/1896	Wilson	F24B 1/202 126/290
1,276,795 A *	8/1918	Nelson	F23D 11/44 126/214 C



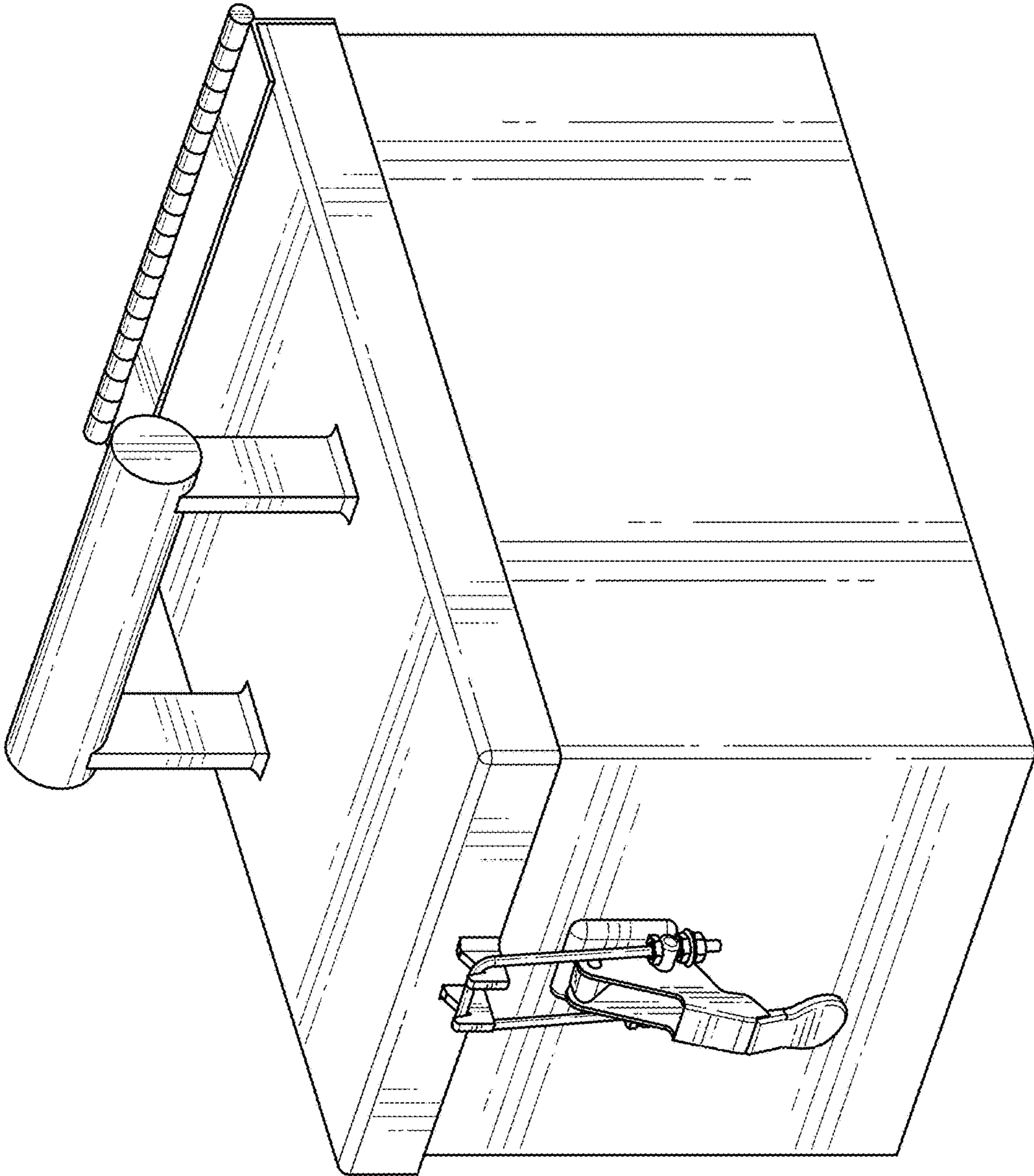


FIG. 1

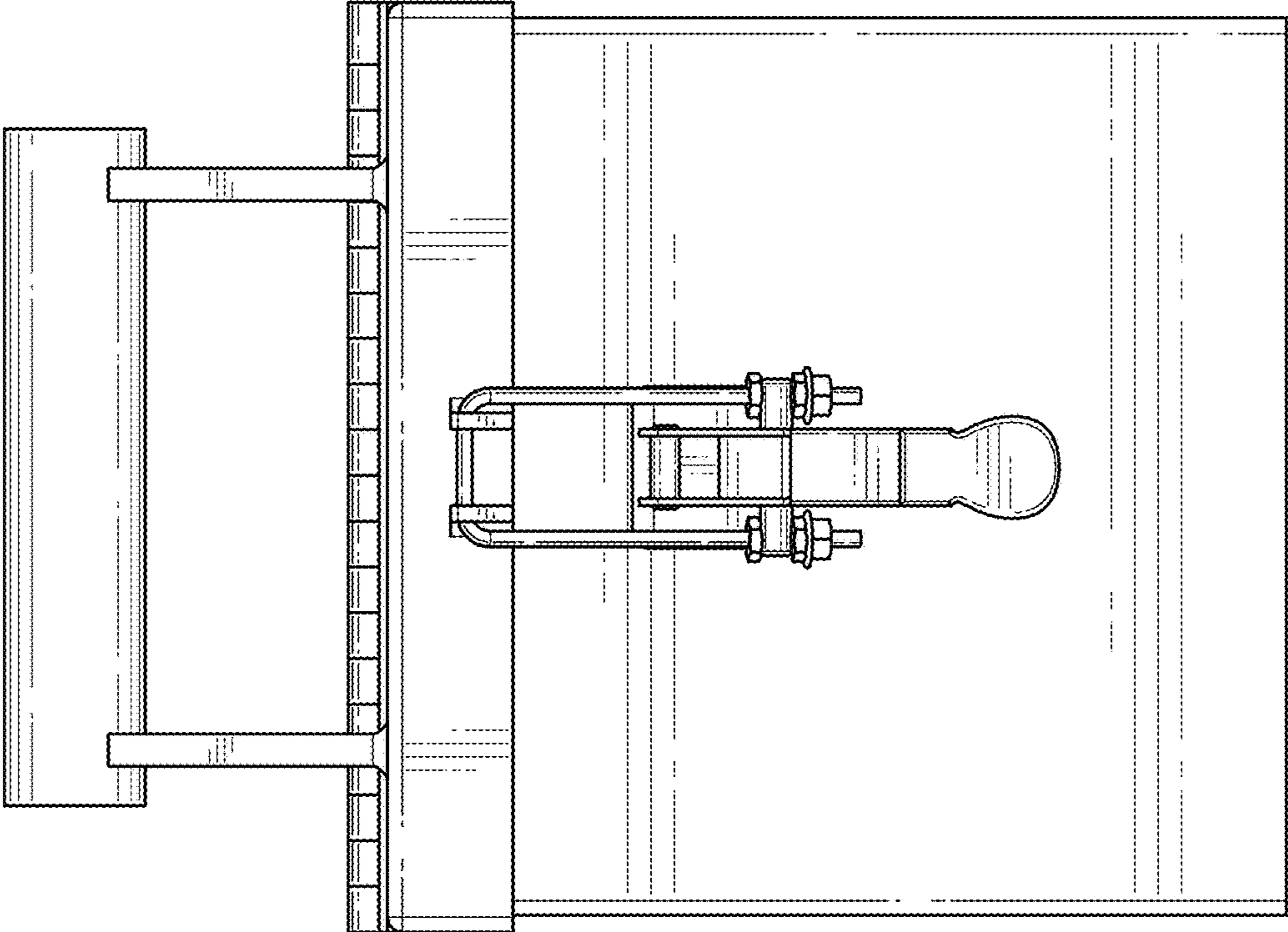


FIG. 2

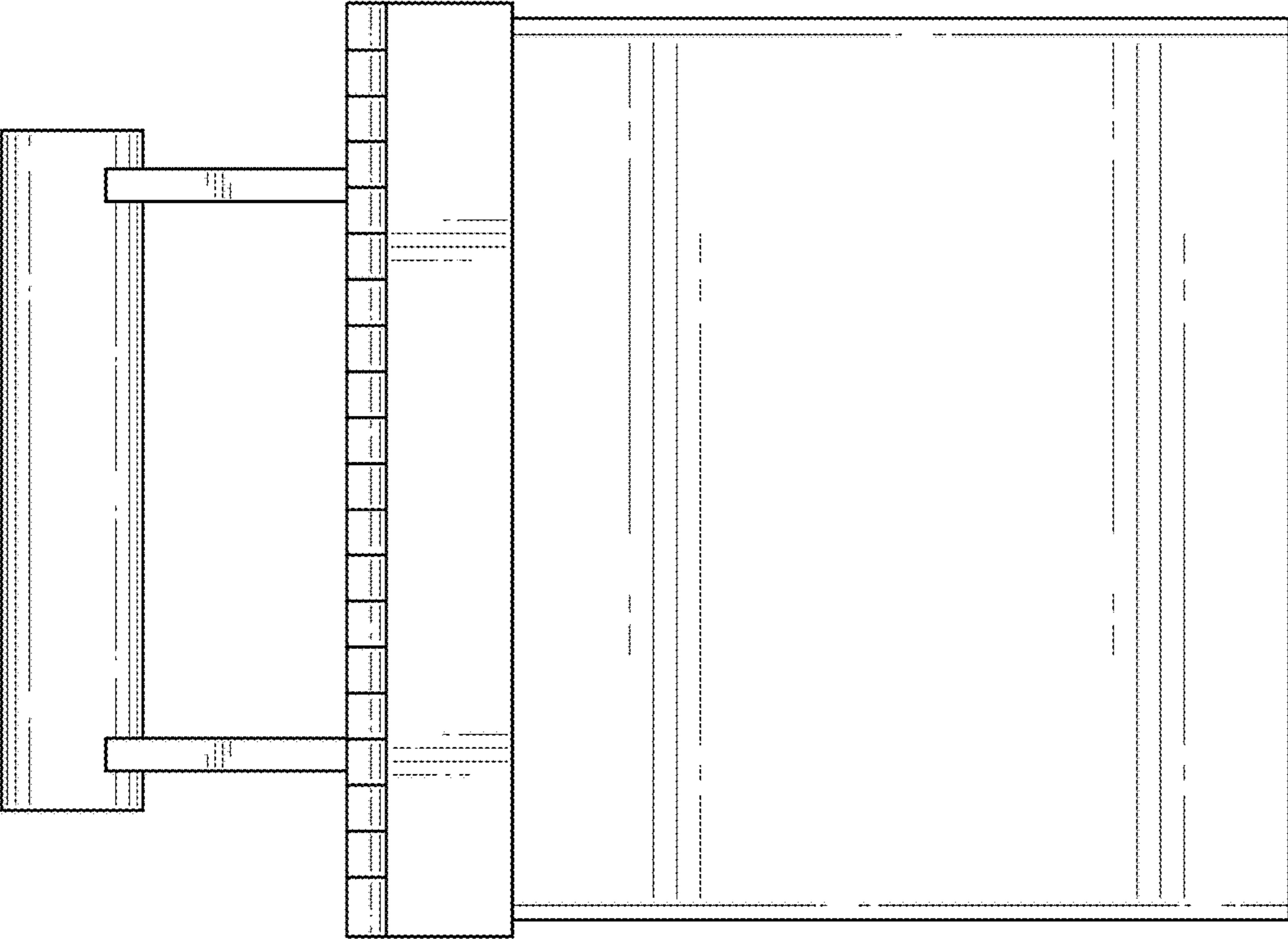


FIG. 3

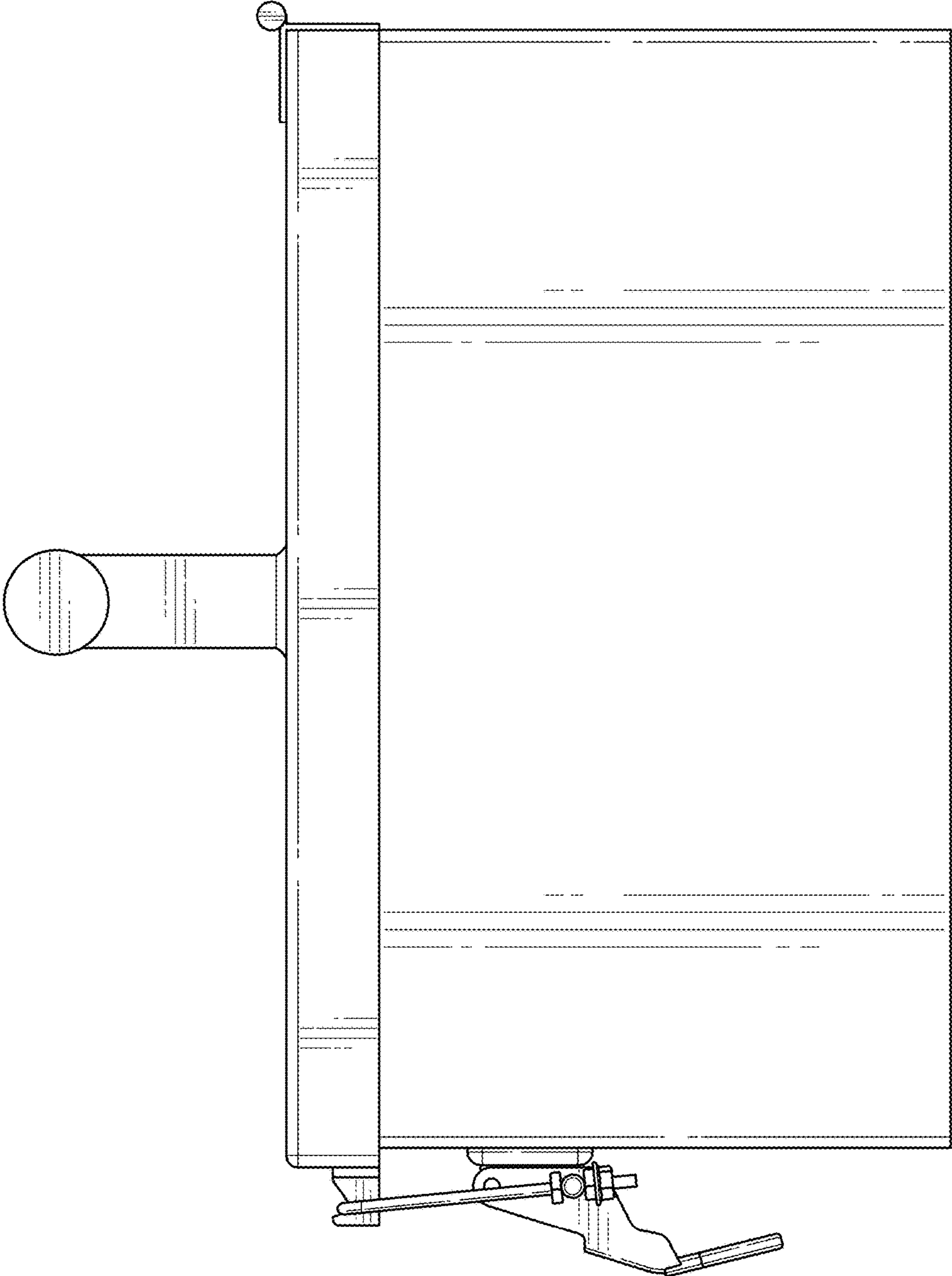


FIG. 4

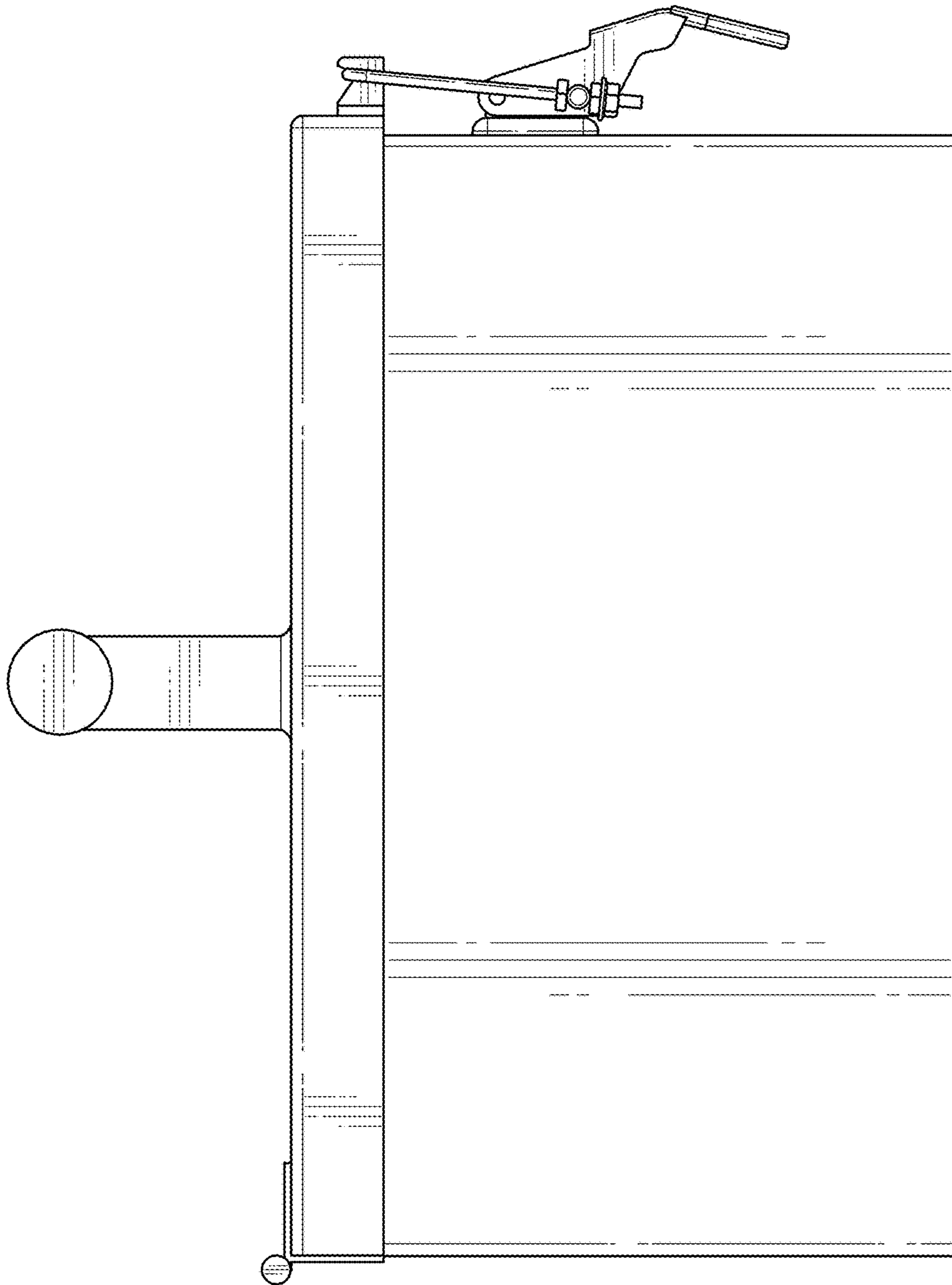


FIG. 5

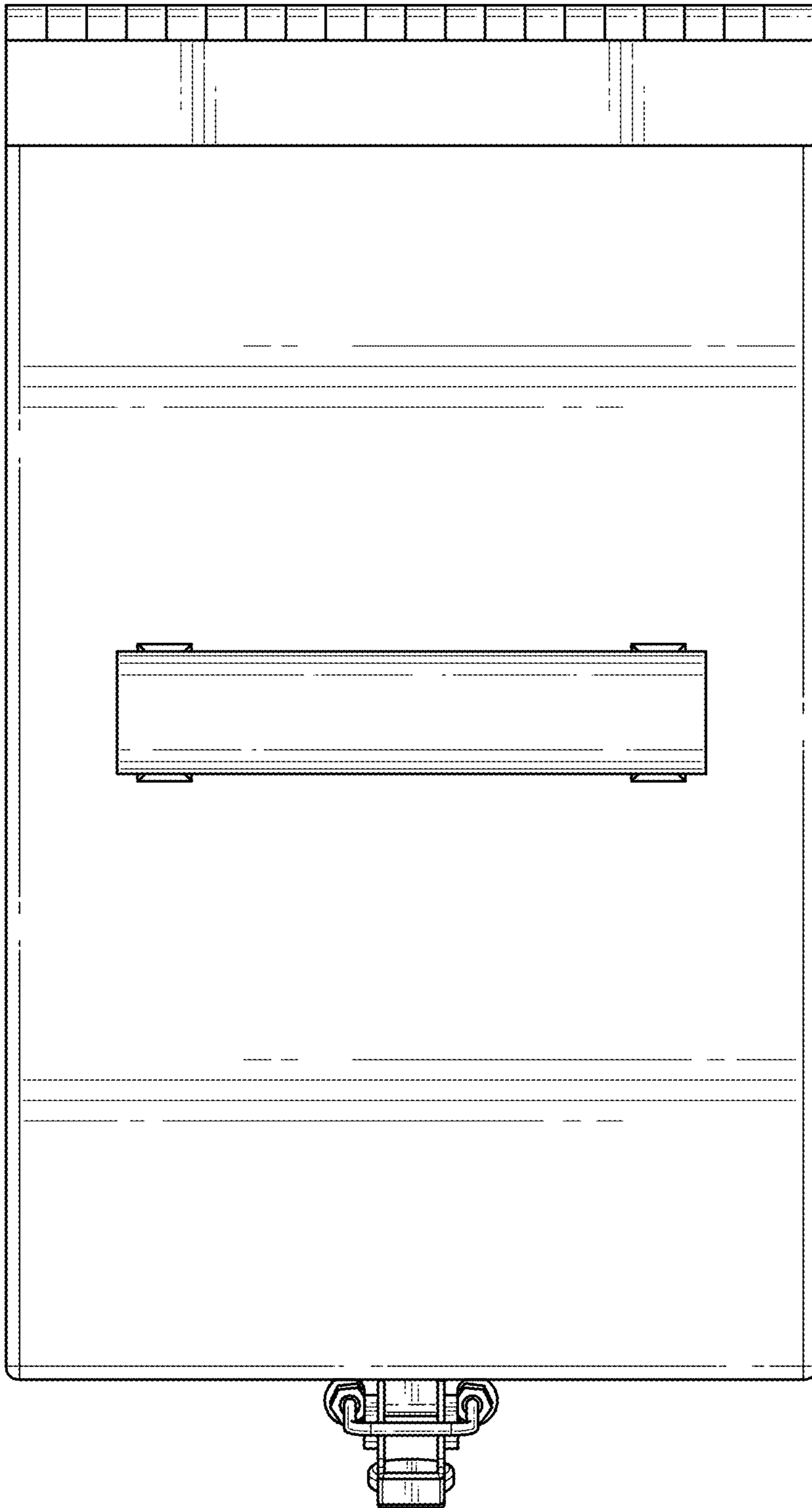


FIG. 6