



US00D818299S

(12) **United States Design Patent**
Barquin et al.

(10) **Patent No.:** **US D818,299 S**

(45) **Date of Patent:** **** May 22, 2018**

(54) **COFFEE MAKER**

(71) Applicant: **Spectrum Brands, Inc.**, Middleton, WI (US)

(72) Inventors: **Francisco Javier Barquin**, Madison, WI (US); **Luke Charles Bradshaw**, Kalmar (SE)

(73) Assignee: **Spectrum Brands, Inc.**, Middleton, WI (US)

(**) Term: **15 Years**

(21) Appl. No.: **29/597,422**

(22) Filed: **Mar. 16, 2017**

(51) **LOC (11) Cl.** **07-01**

(52) **U.S. Cl.**

USPC **D7/310**; D7/311; D7/309

(58) **Field of Classification Search**

USPC D7/305-311, 313, 397; D15/82; 222/129.1, 146.6; 99/295

CPC A47J 31/44; A47J 31/4403; A47J 31/46; A47J 31/4482; A47J 31/369; A47J 31/407; A47J 31/02; A47J 31/047; B67D 1/36; B67D 2210/0065; B67D 1/0864

See application file for complete search history.

(56) **References Cited**

U.S. PATENT DOCUMENTS

D299,608 S *	1/1989	Knochner	D7/309
D299,998 S *	2/1989	Seiffert	D7/309
D497,278 S *	10/2004	Picozza	D7/309
6,817,280 B2 *	11/2004	Hall	A47J 31/047 99/292
D580,208 S *	11/2008	Cheng	D7/306
D585,229 S *	1/2009	de Visser	D7/309
D654,755 S *	2/2012	Gresko	D7/307

D703,989 S *	5/2014	Garman	D7/305
D707,070 S *	6/2014	De'Longhi	D7/309
D736,025 S *	8/2015	Kestenbaum	D7/309
D741,101 S *	10/2015	Luippold	D7/306
D765,455 S *	9/2016	de Gooijer	D7/309
D775,887 S	1/2017	Atkin et al.		

* cited by examiner

Primary Examiner — Marianne Pandozzi

(74) *Attorney, Agent, or Firm* — Banner & Witcoff, Ltd.

(57) **CLAIM**

The ornamental design for a coffee maker, as shown and described.

DESCRIPTION

FIG. 1 is a front perspective view of a coffee maker showing our new design;

FIG. 2 is a front view thereof;

FIG. 3 is a rear view thereof;

FIG. 4 is a right side view thereof;

FIG. 5 is a left side view thereof;

FIG. 6 is a top view thereof;

FIG. 7 is a bottom view thereof;

FIG. 8 is a front perspective view of an alternative embodiment of a coffee maker showing our new design;

FIG. 9 is a front view thereof;

FIG. 10 is a rear view thereof;

FIG. 11 is a right side view thereof;

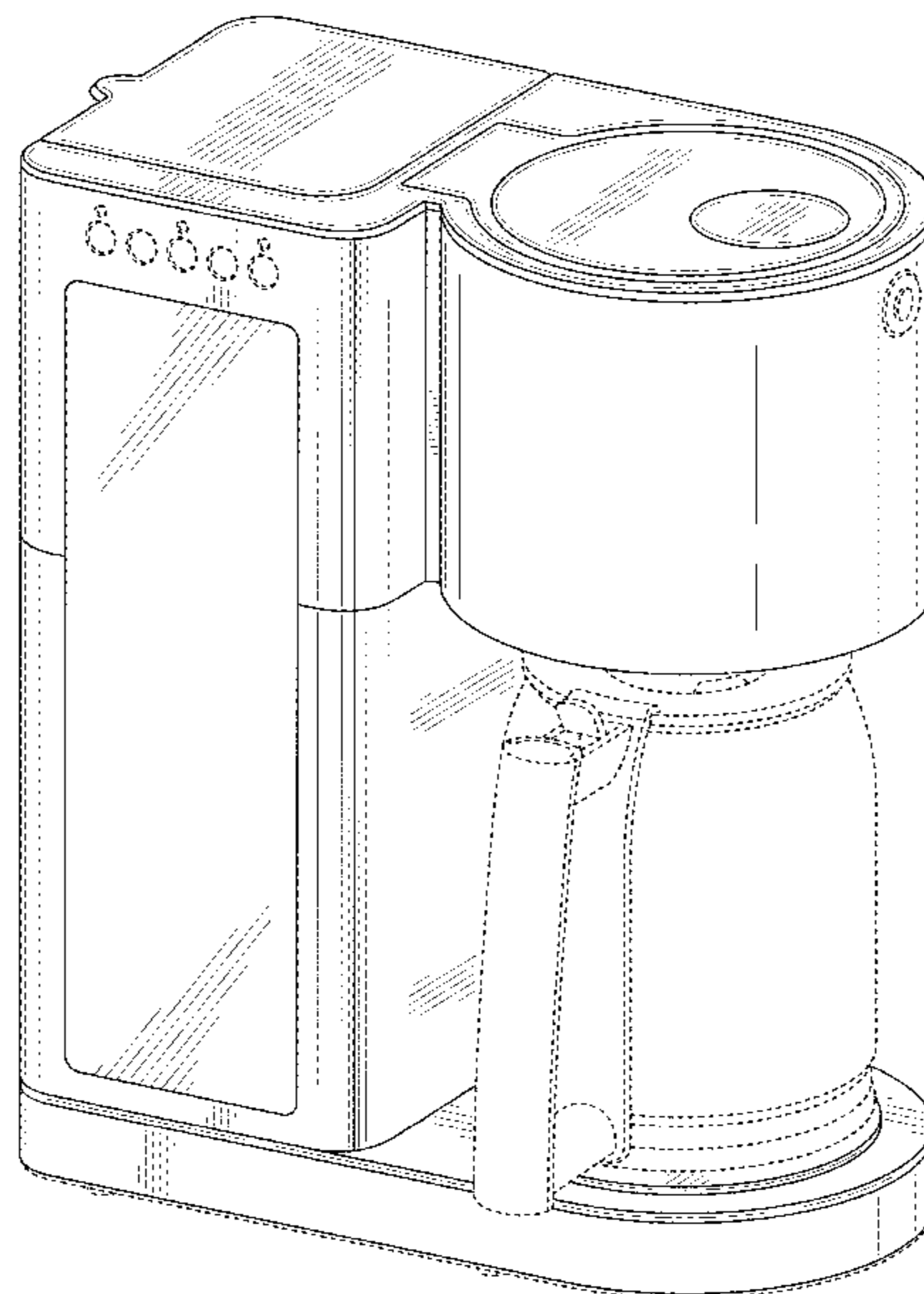
FIG. 12 is a left side view thereof;

FIG. 13 is a top view thereof; and,

FIG. 14 is a bottom view thereof.

The broken line showing of the carafe and other portions of the coffee maker represents unclaimed subject matter and forms no part of the claimed design.

1 Claim, 14 Drawing Sheets



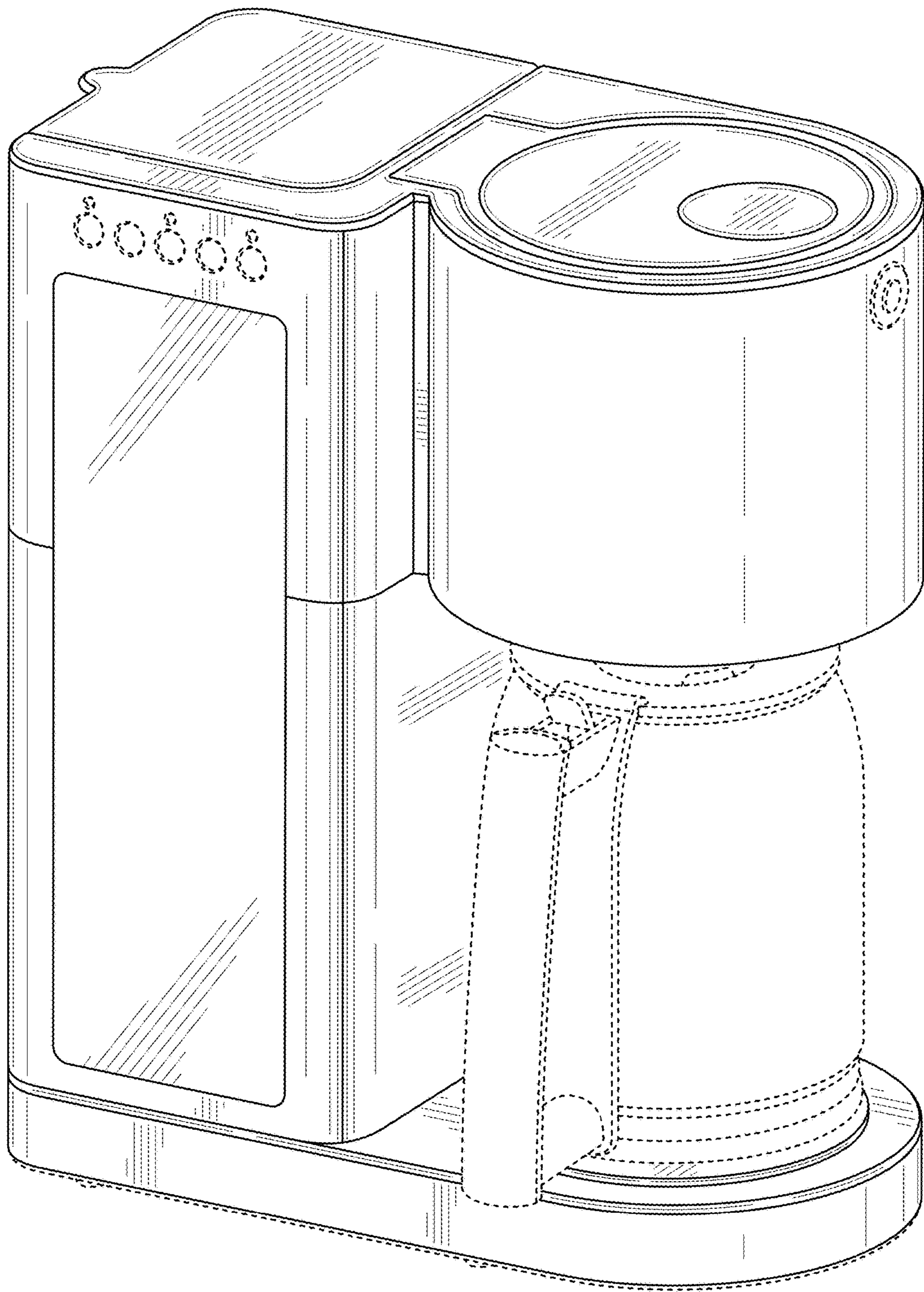


FIG. 1

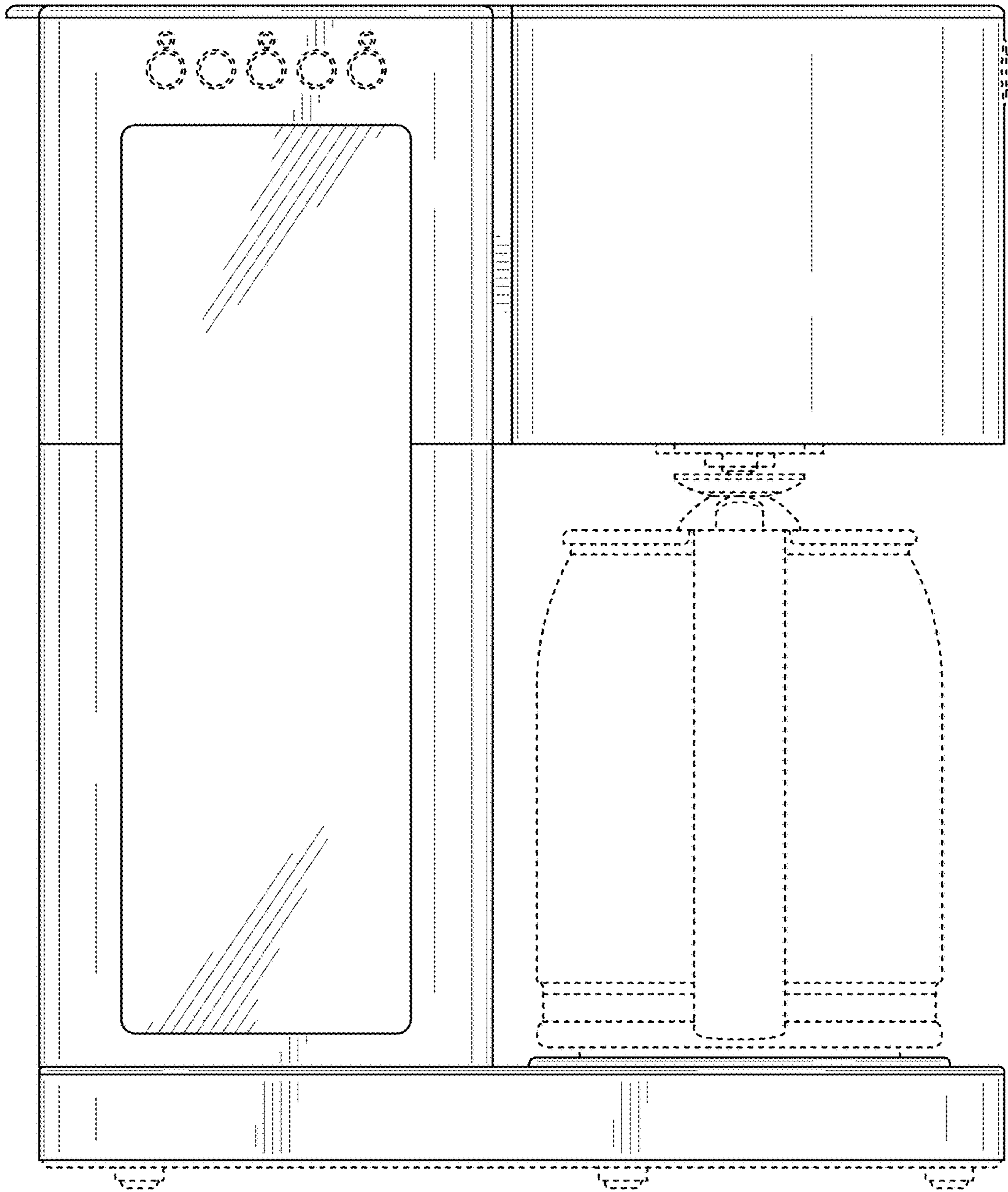


FIG. 2

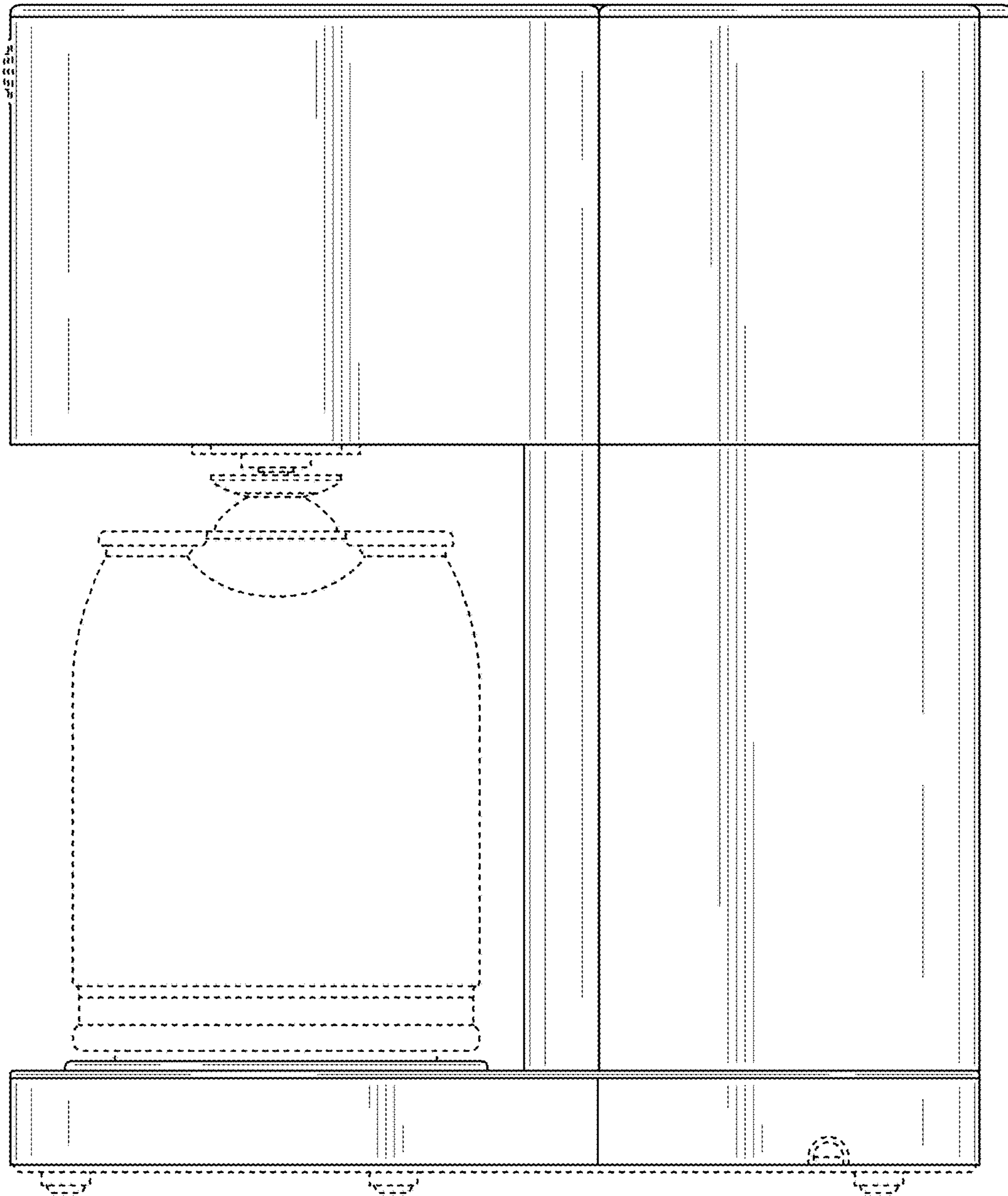


FIG. 3

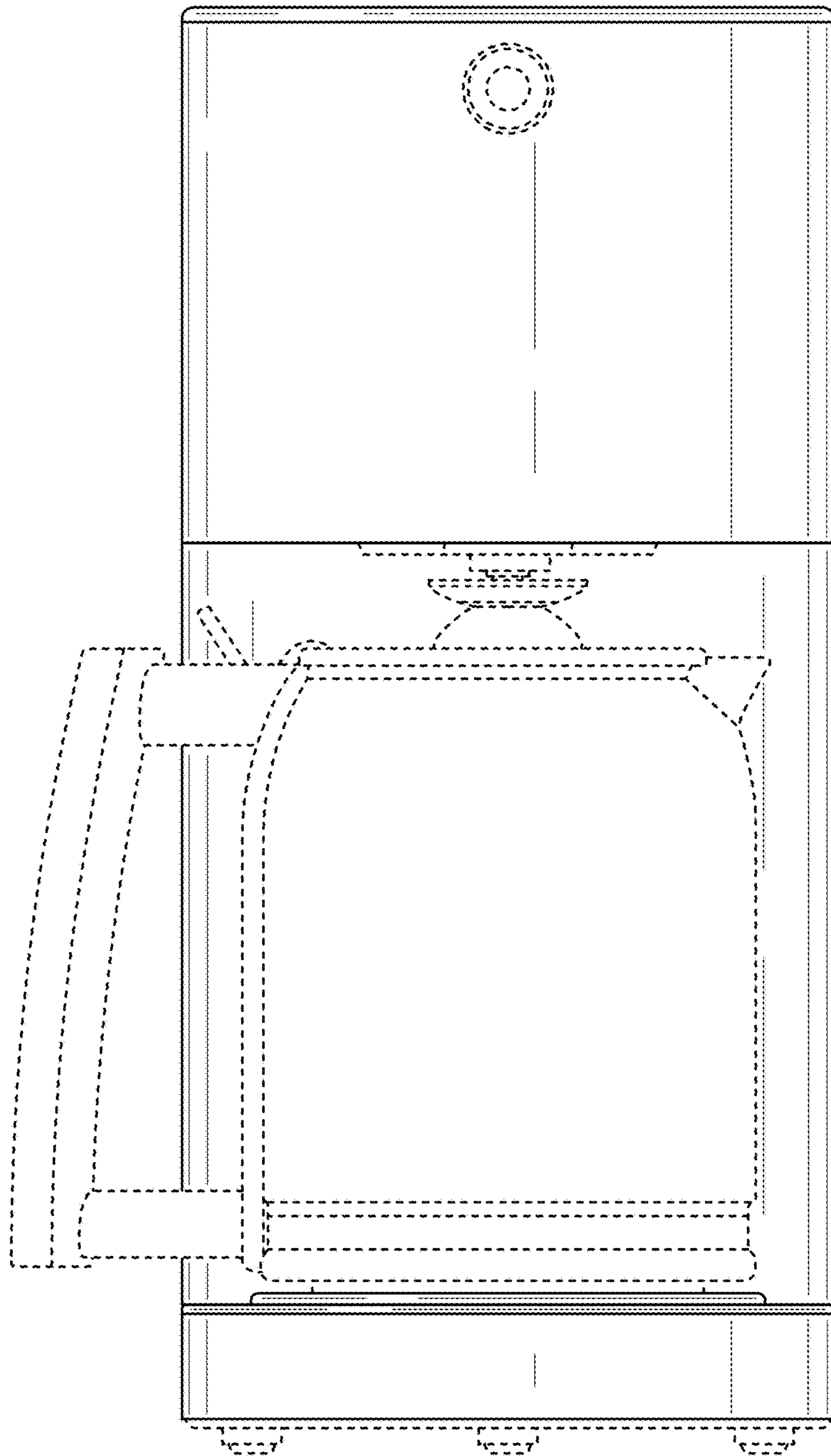


FIG. 4

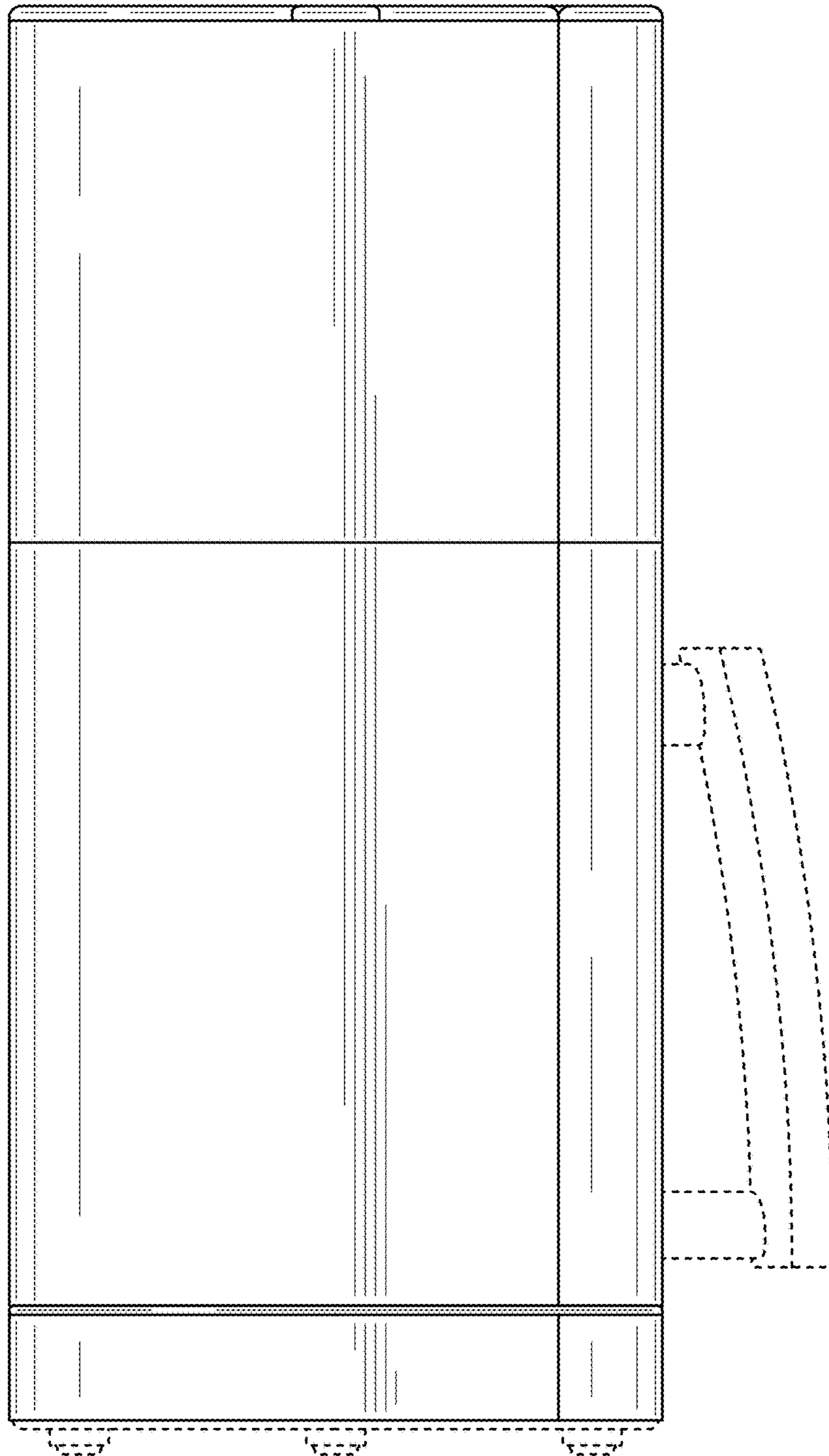


FIG. 5

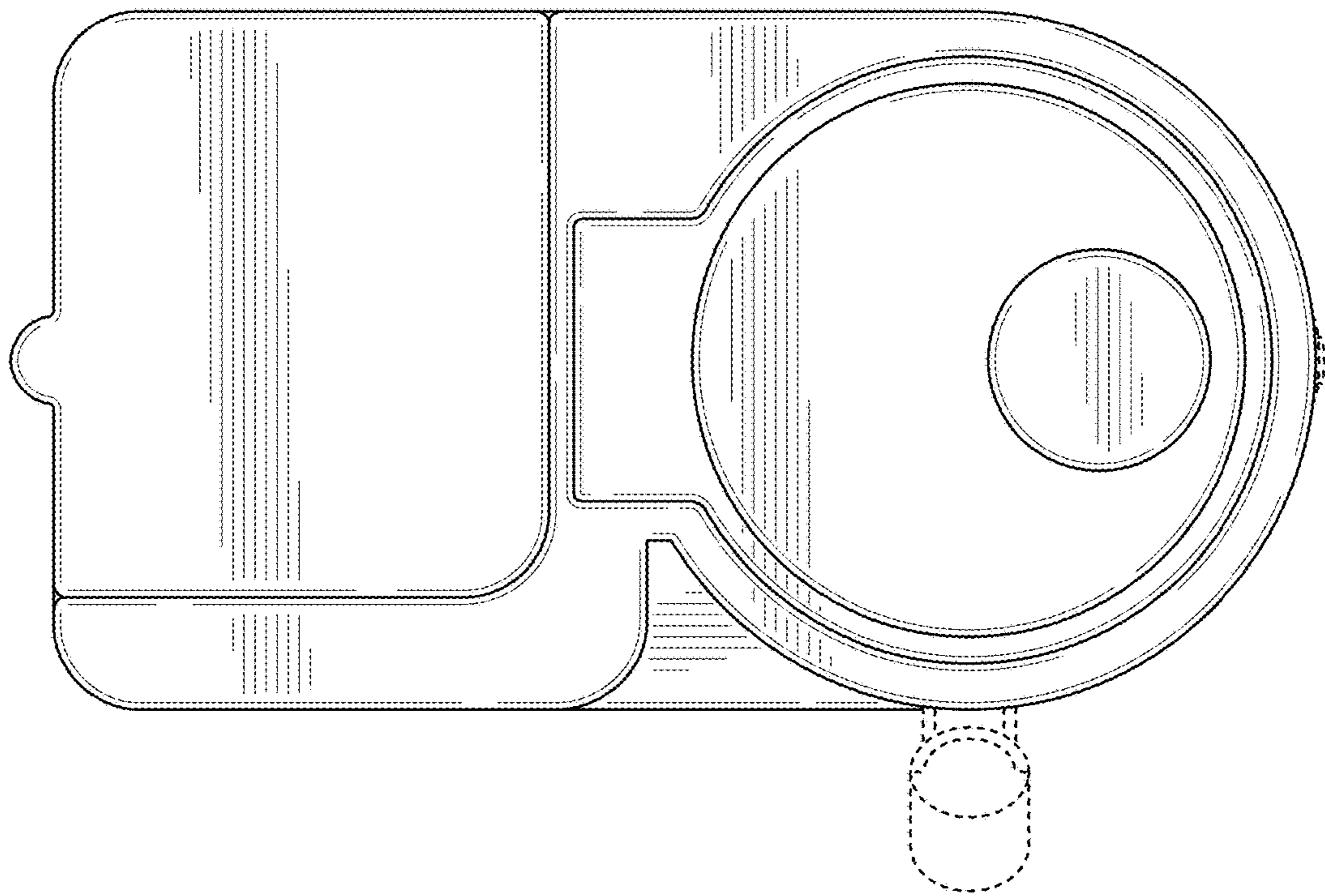


FIG. 6

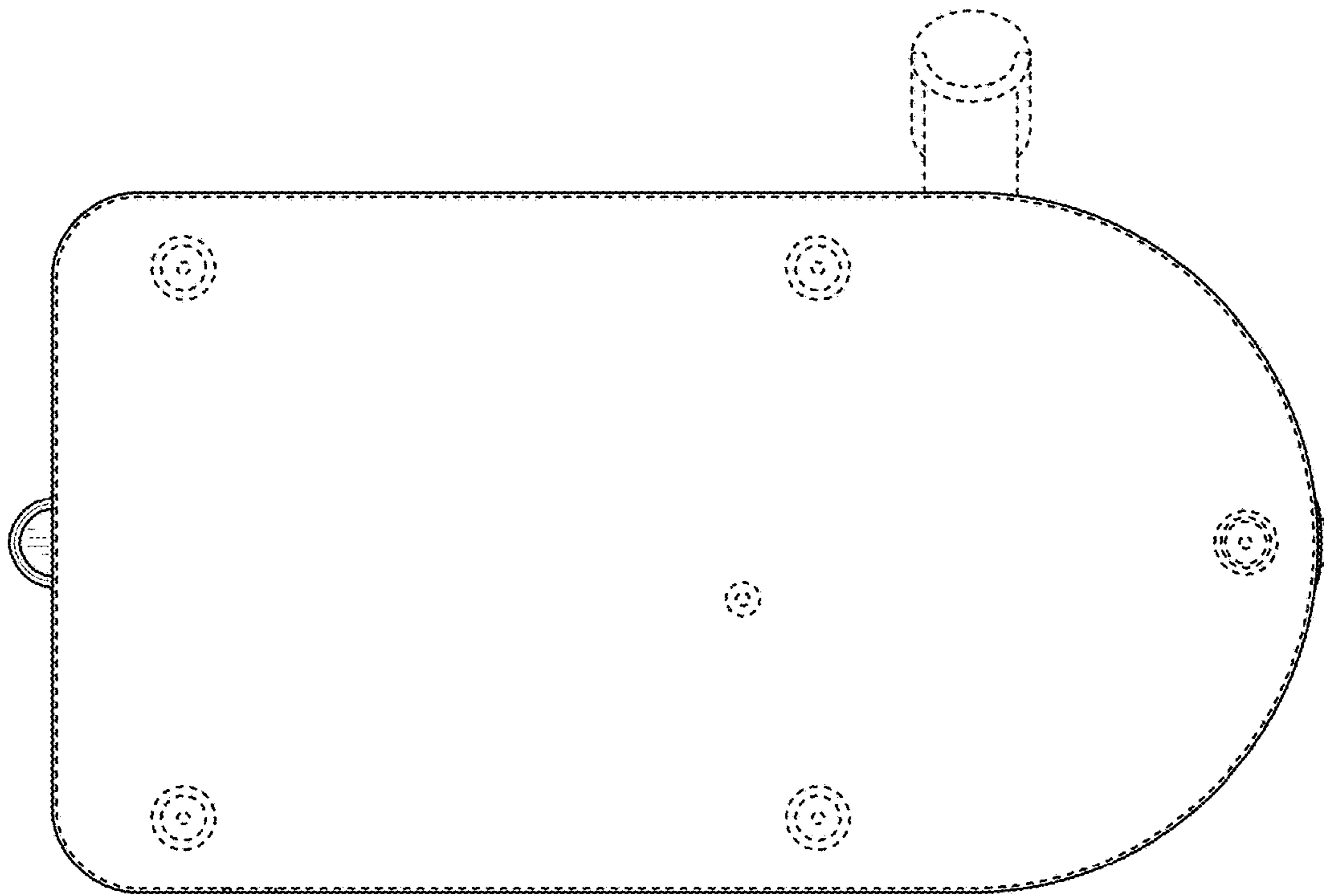


FIG. 7

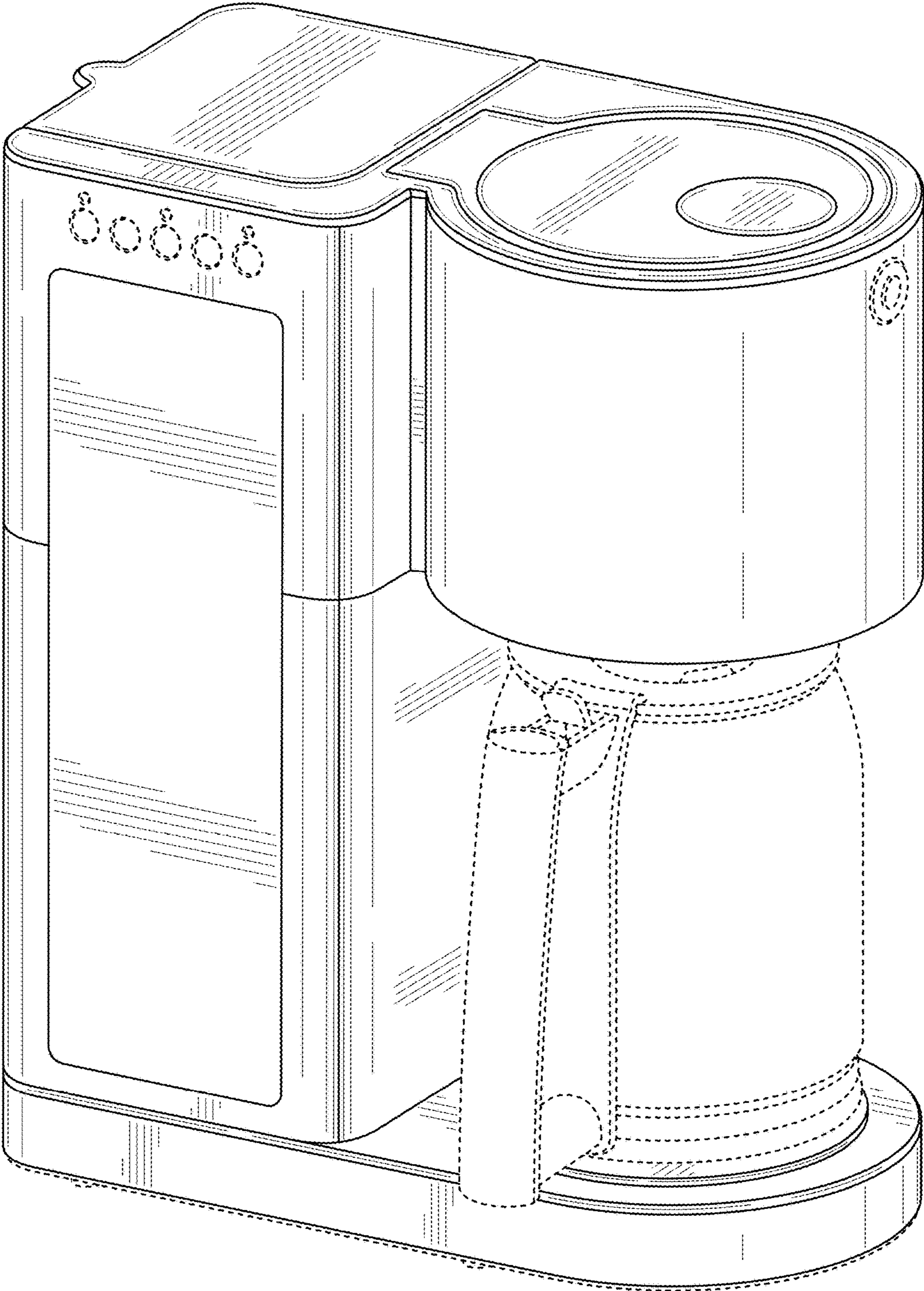


FIG. 8

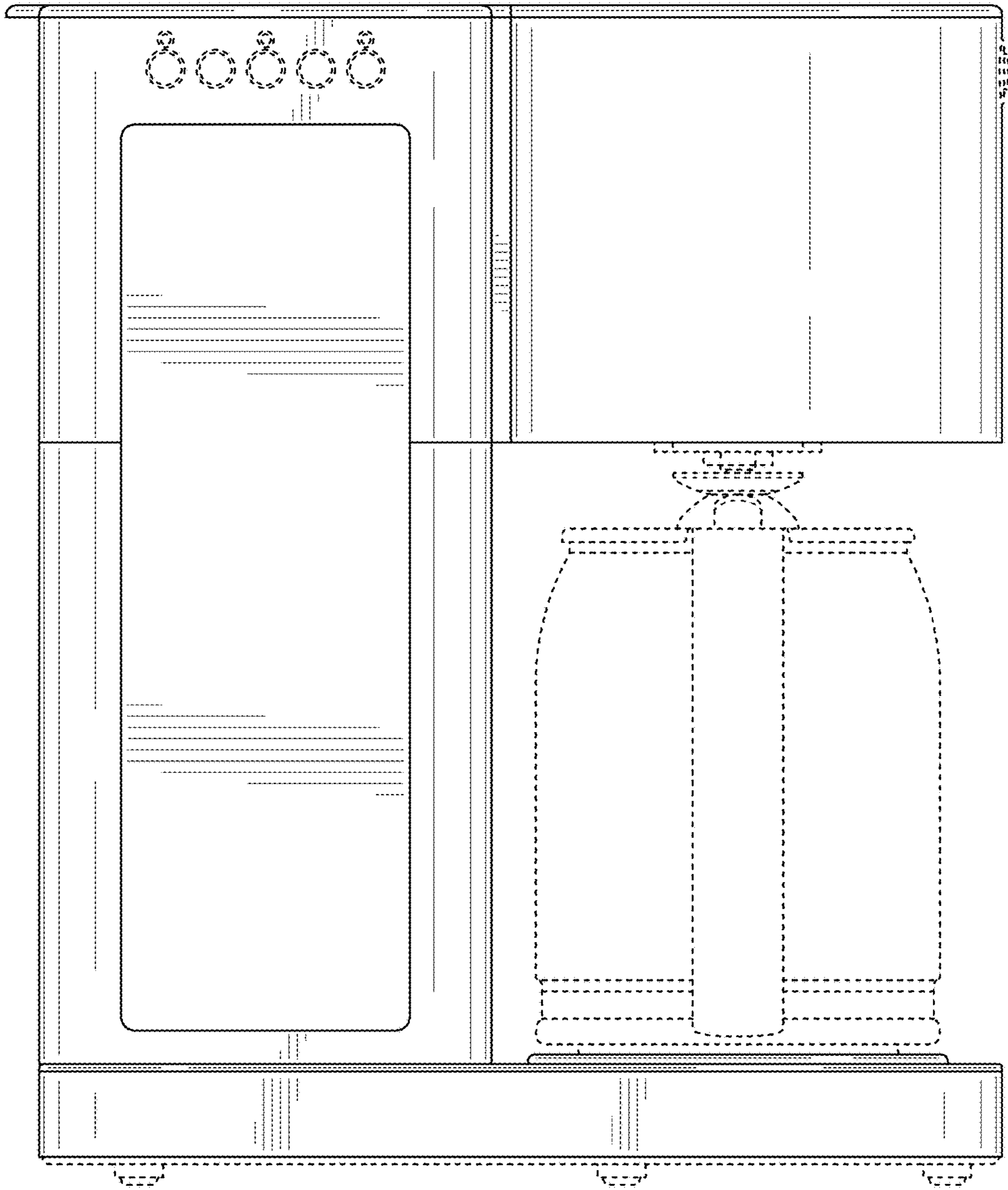


FIG. 9

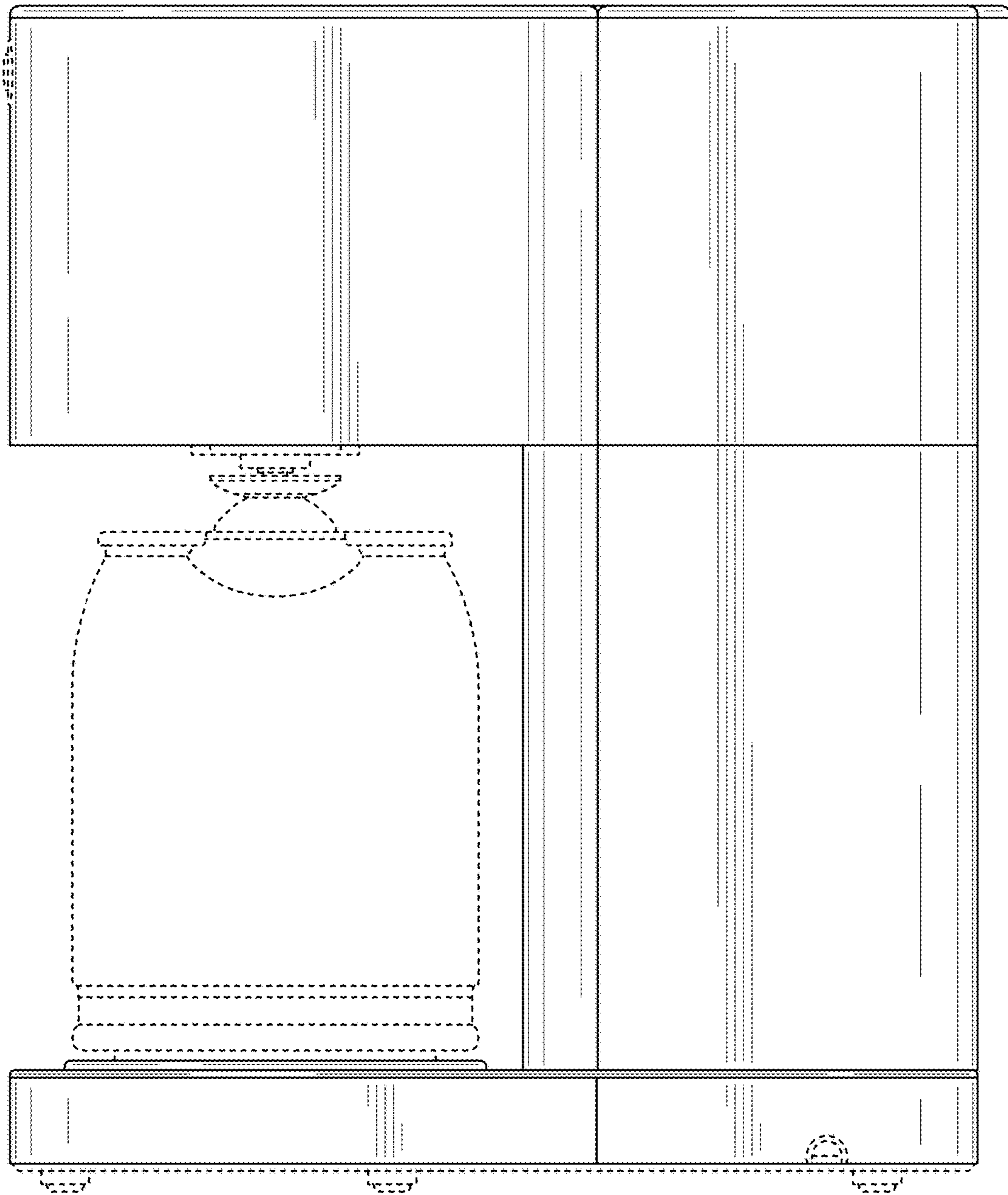


FIG. 10

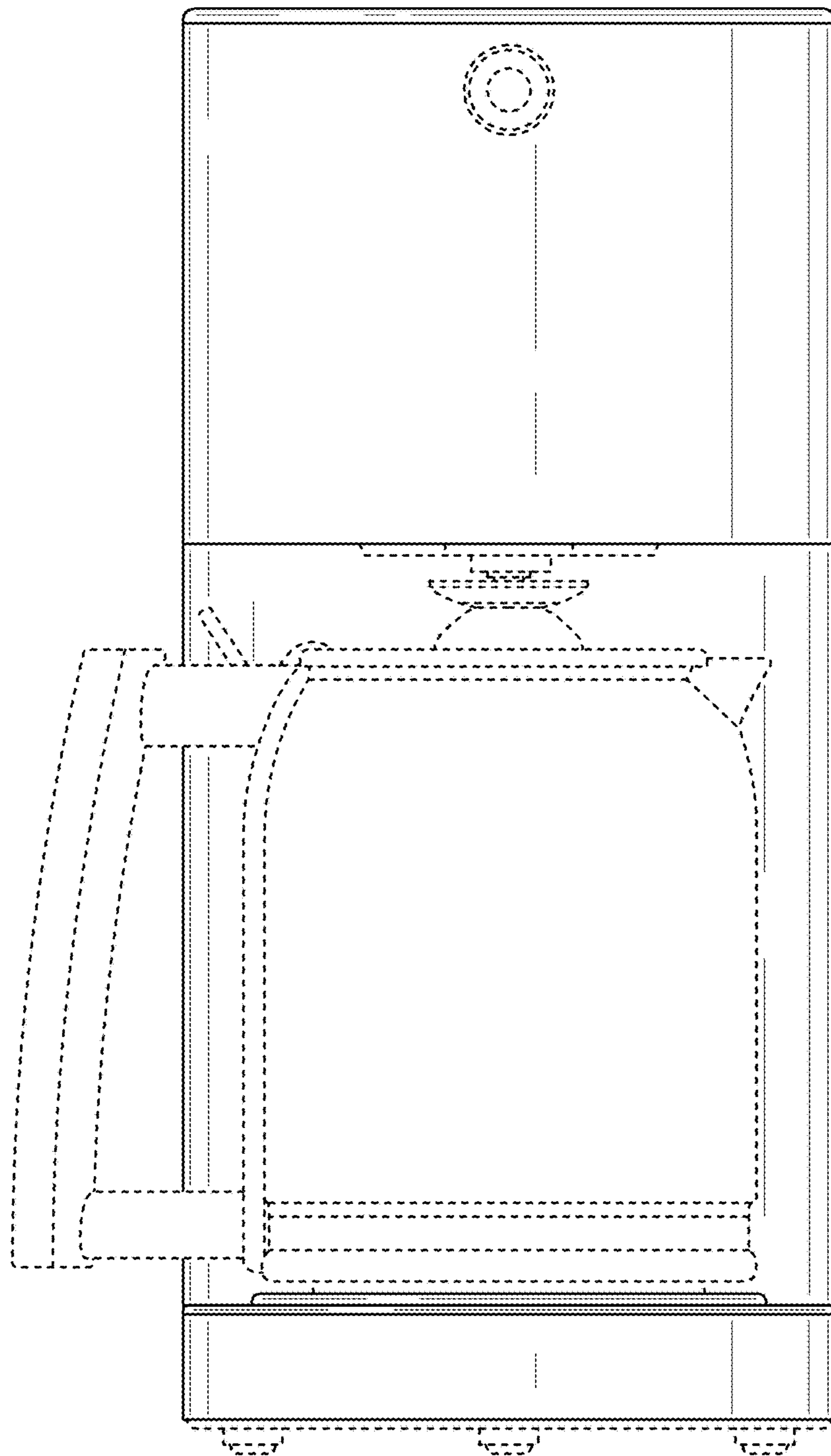


FIG. 11

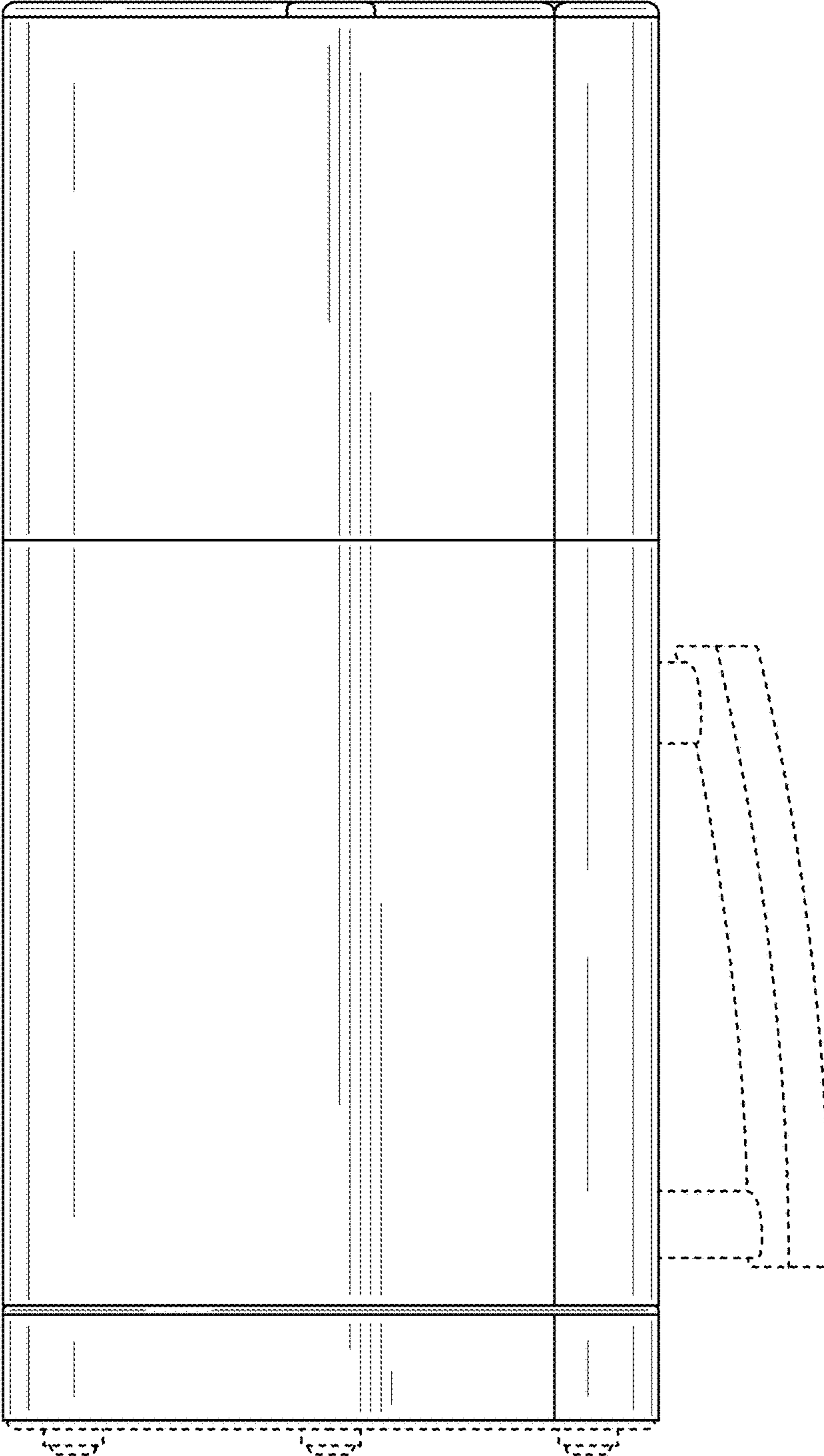


FIG. 12

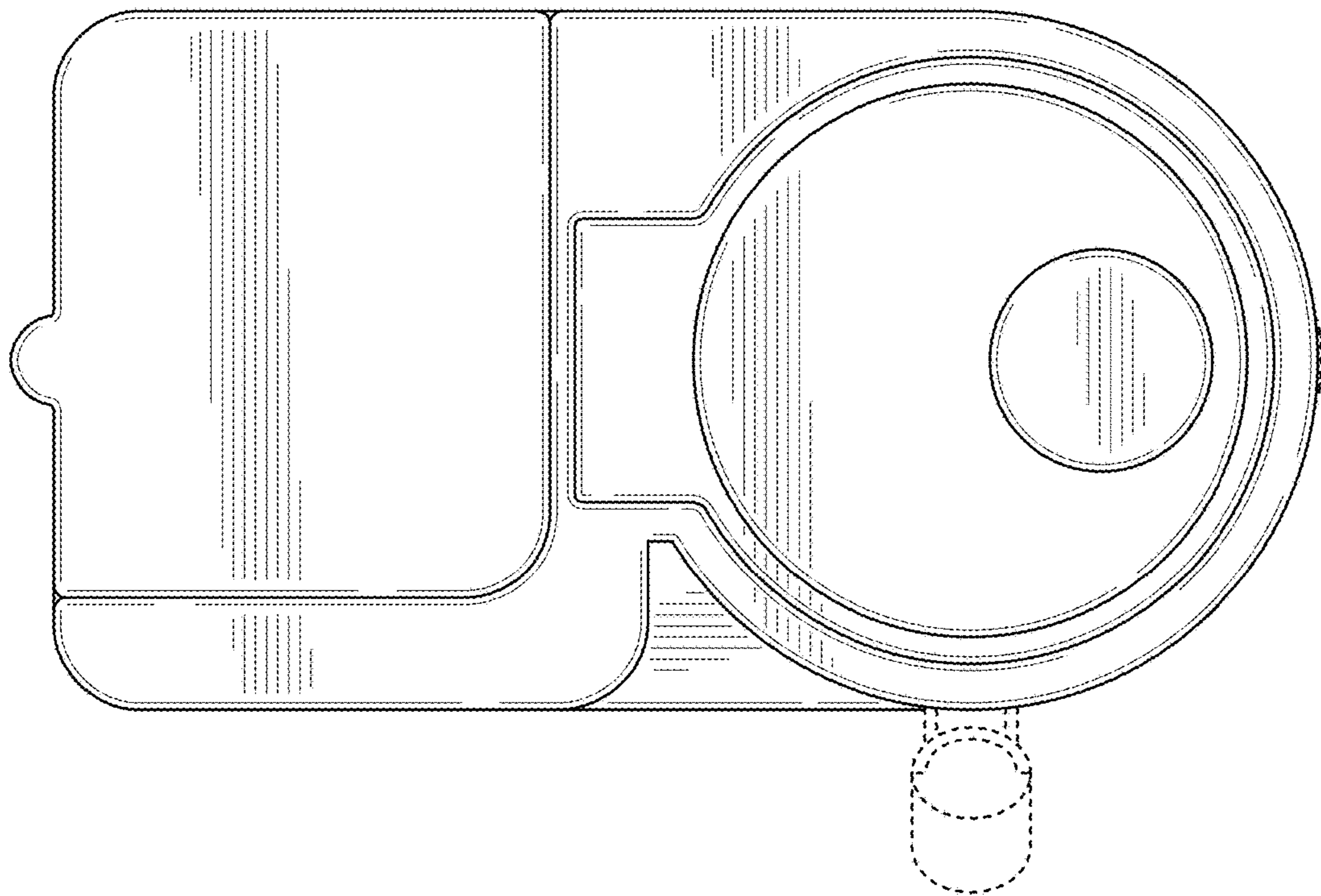


FIG. 13

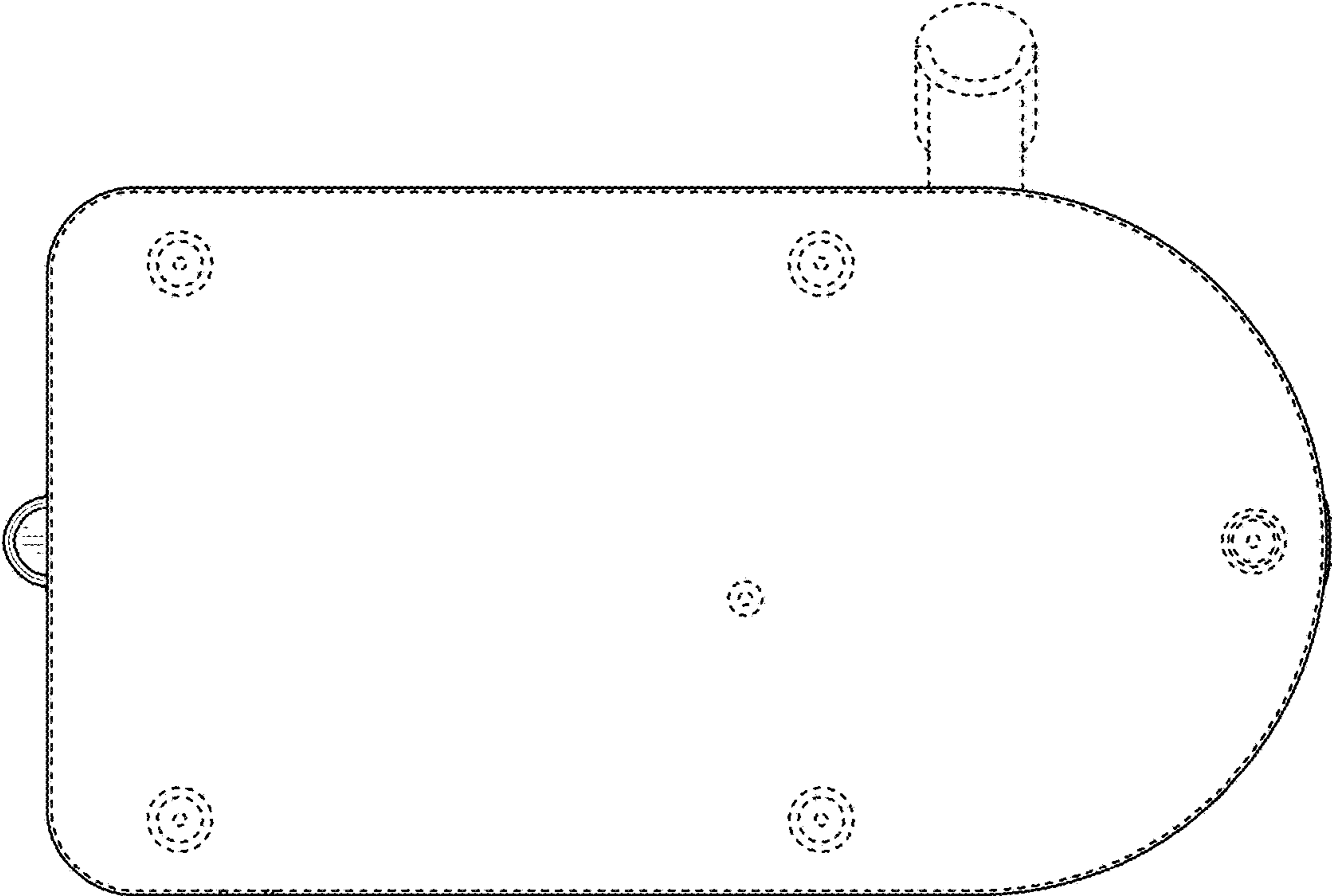


FIG. 14