



US00D818296S

(12) **United States Design Patent** (10) **Patent No.:** **US D818,296 S**  
**Lawrence et al.** (45) **Date of Patent:** **\*\* May 22, 2018**

(54) **END PIECE FOR A SEAT**  
 (71) Applicant: **Keystone Ridge Designs, Inc.**, Butler, PA (US)  
 (72) Inventors: **Michael Bryan Lawrence**, Wexford, PA (US); **Angela M. Maloney**, Cranberry Township, PA (US); **Joshua D. Slear**, Butler, PA (US); **E. Paul Arnold**, Grove City, PA (US)  
 (73) Assignee: **Keystone Ridge Designs, Inc.**, Butler, PA (US)

D419,341 S	1/2000	Chipman	
D468,126 S *	1/2003	Pappas	D6/381
D516,331 S *	3/2006	Archer	D6/375
D523,666 S *	6/2006	Schiefer	D6/717
D526,147 S *	8/2006	Schiefer	D6/717
D532,620 S *	11/2006	Skalka	D6/366
D538,078 S *	3/2007	Egger	D6/373
D579,685 S *	11/2008	Skalka	D6/381
D585,211 S *	1/2009	Rizzi	D6/381
D585,220 S *	1/2009	Skalka	D6/717
D629,233 S	12/2010	Slear et al.	
D629,234 S *	12/2010	Marousek	D6/717
D632,104 S *	2/2011	Marousek	D6/717
D726,474 S *	4/2015	Skalka	D6/717
D791,525 S *	7/2017	Zdanius	D6/717

(\*\*) Term: **15 Years**

\* cited by examiner

(21) Appl. No.: **29/594,597**

*Primary Examiner* — Deanna L Pratt

(22) Filed: **Feb. 21, 2017**

(74) *Attorney, Agent, or Firm* — The Webb Law Firm

(51) **LOC (11) Cl.** ..... **06-01**

(52) **U.S. Cl.**  
USPC ..... **D6/717; D6/337**

(58) **Field of Classification Search**  
USPC .... D6/334–381, 717, 716.2, 716, 709, 709.2  
CPC .. A47C 11/00; A47C 7/54; A47C 7/50; A47C 7/02; A47C 7/00  
See application file for complete search history.

(57) **CLAIM**

The ornamental design for an end piece for a seat, as shown and described.

(56) **References Cited**

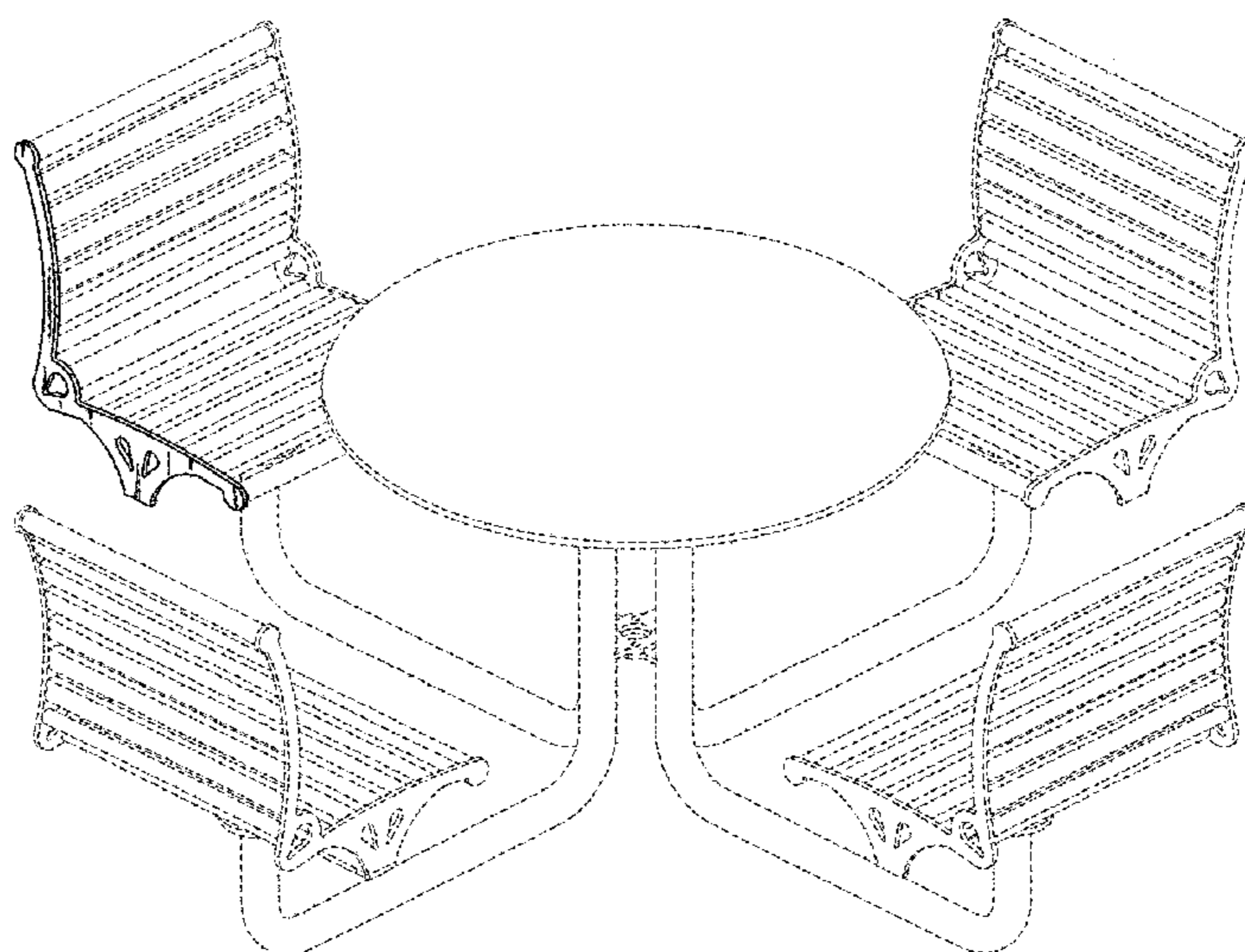
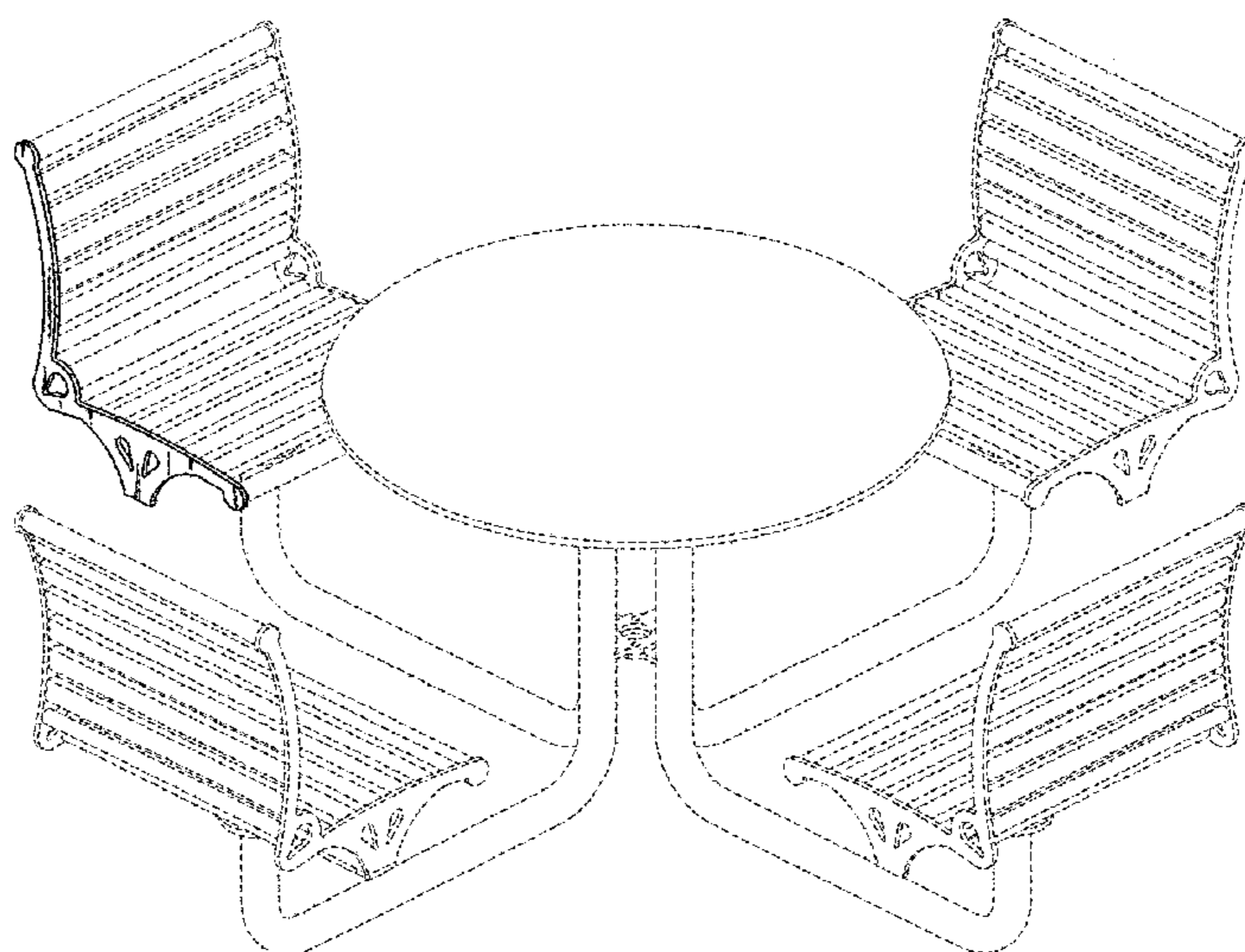
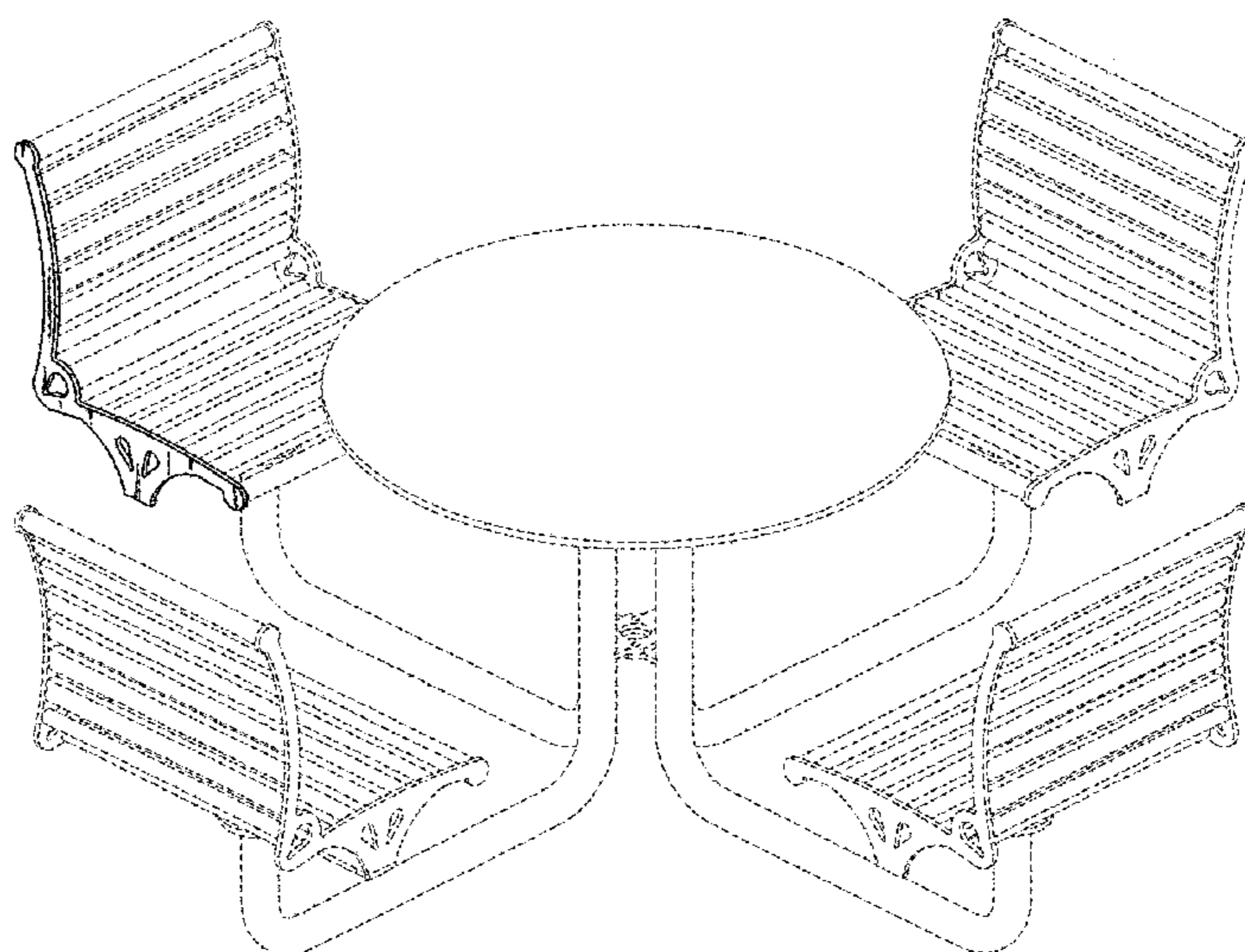
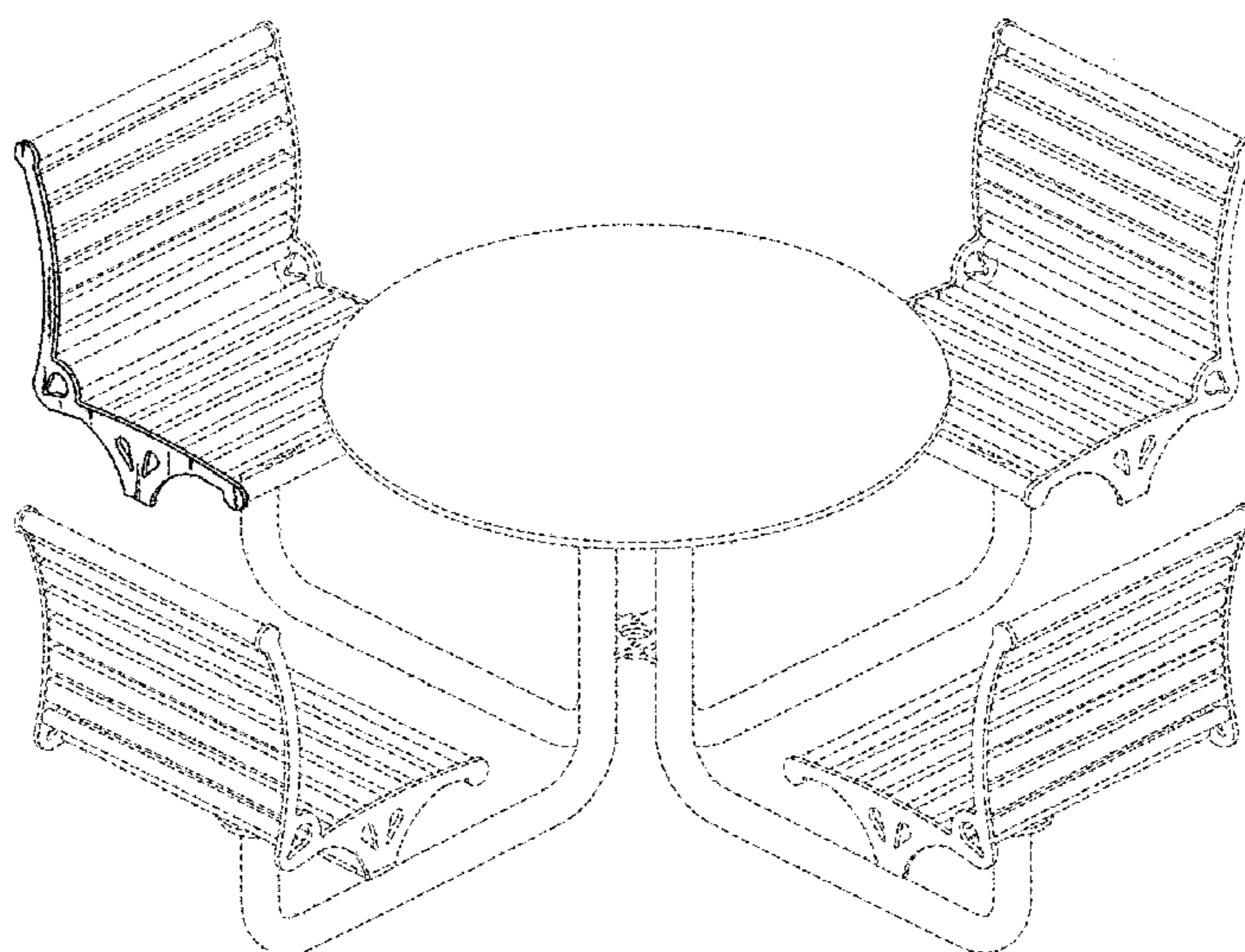
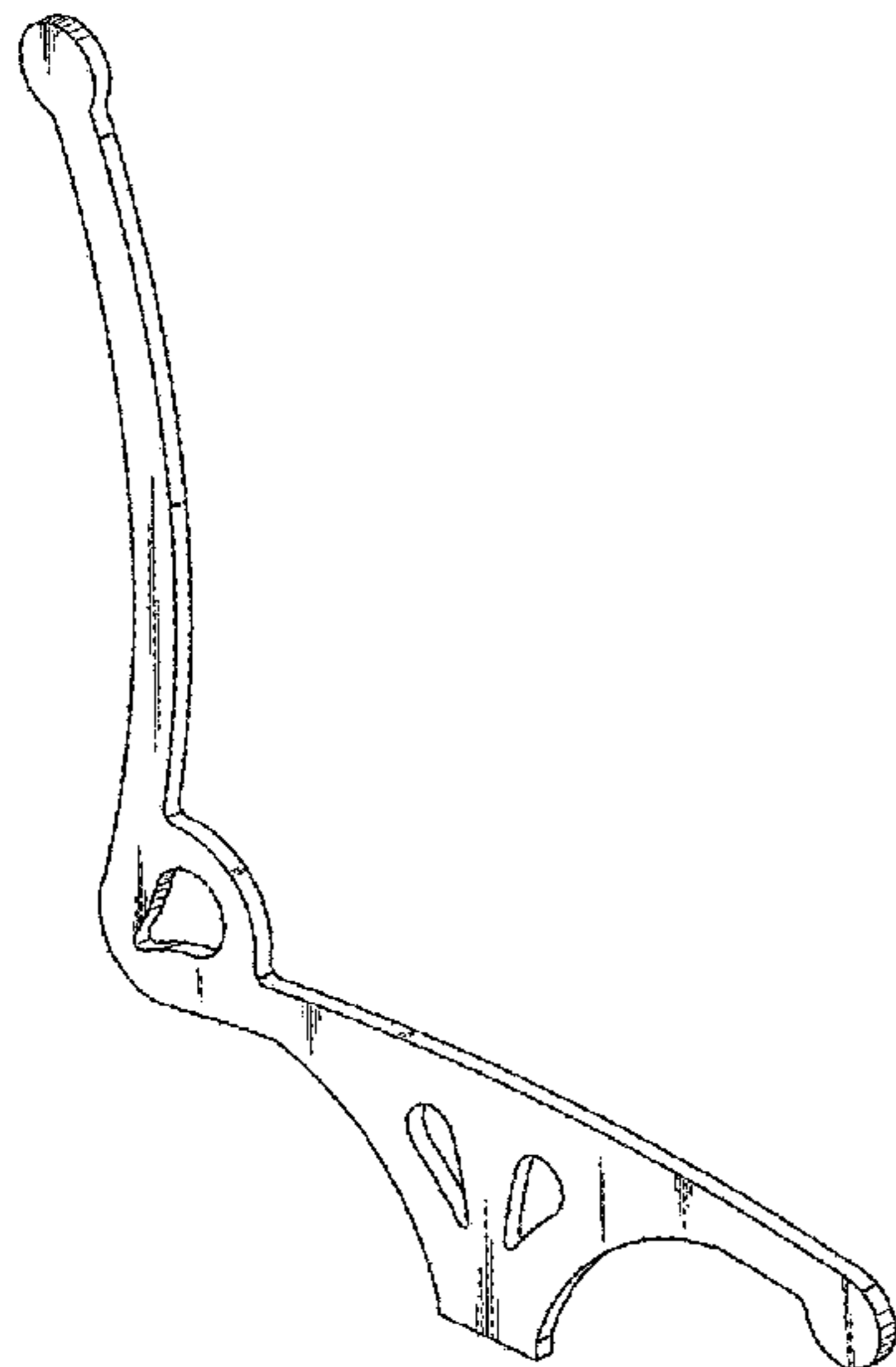
**DESCRIPTION**

U.S. PATENT DOCUMENTS

D67,030 S *	4/1925	Haase	D6/370
D141,888 S *	7/1945	Loman	248/188.7
D235,298 S *	6/1975	Schuyler	D6/717
D239,492 S *	4/1976	Schultz	D6/717
D259,607 S *	6/1981	Stahl, Jr.	D6/717
D264,150 S *	5/1982	Caldwell	D6/376
D273,354 S *	4/1984	Fitts	D6/369
D360,080 S *	7/1995	Rinaldi	D6/334
D381,826 S *	8/1997	Lin	D6/370
D391,777 S *	3/1998	Lowman	D6/375
D399,662 S *	10/1998	Jeng	D6/358

FIG. 1 is a left side perspective view of an end piece for a seat, in accordance with a first embodiment of the present design;  
 FIG. 2 is a left side view of the end piece for a seat shown in FIG. 1;  
 FIG. 3 is a right side view of the end piece for a seat shown in FIG. 1;  
 FIG. 4 is a top view of the end piece for a seat shown in FIG. 1; and,  
 FIG. 5 is a perspective view of the end piece for a seat shown in FIG. 1 being depicted as a component of a table set. The broken lines shown in FIG. 5 depict other components of the table set and are included for environmental purposes only.

**1 Claim, 5 Drawing Sheets**



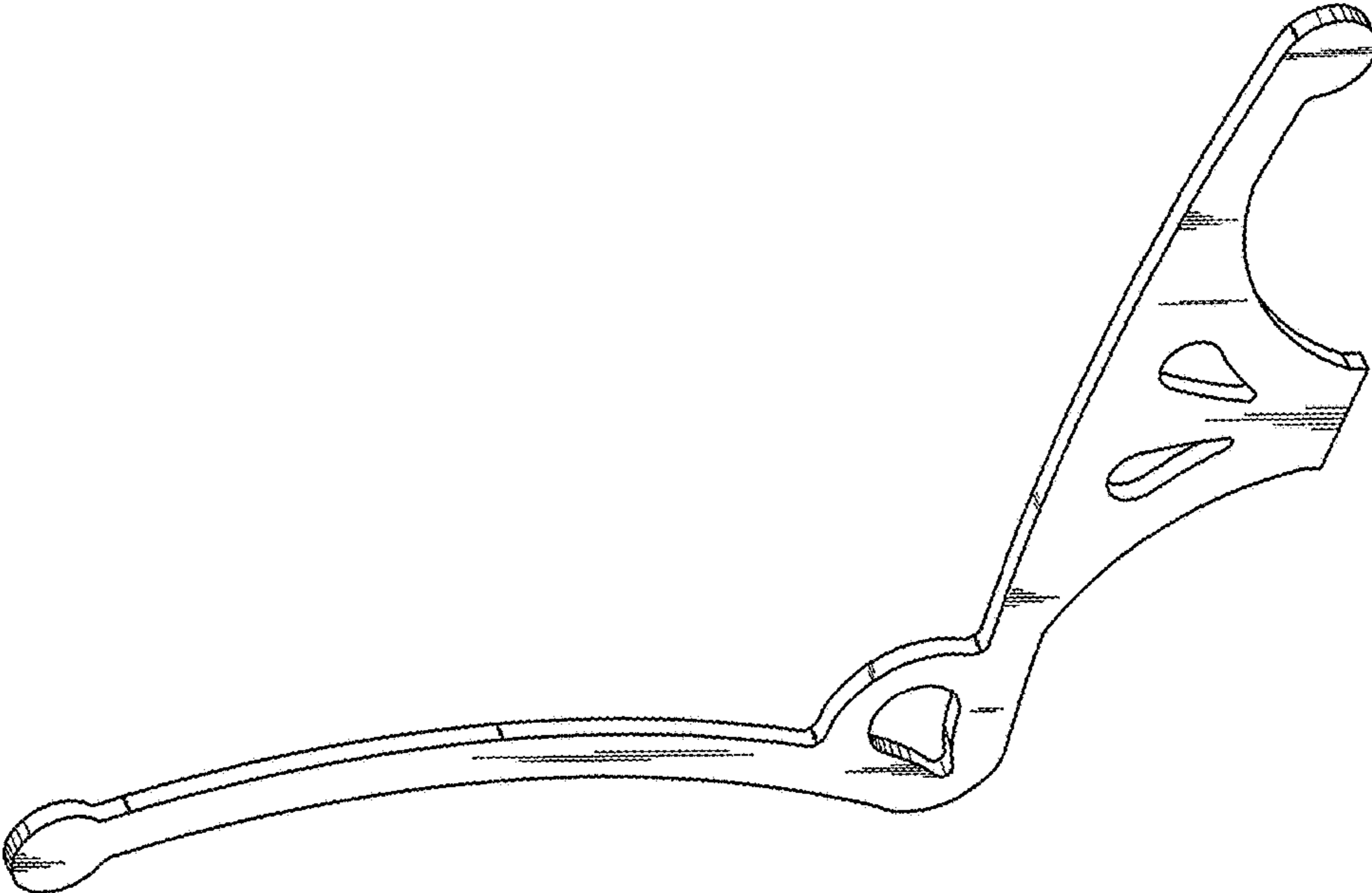
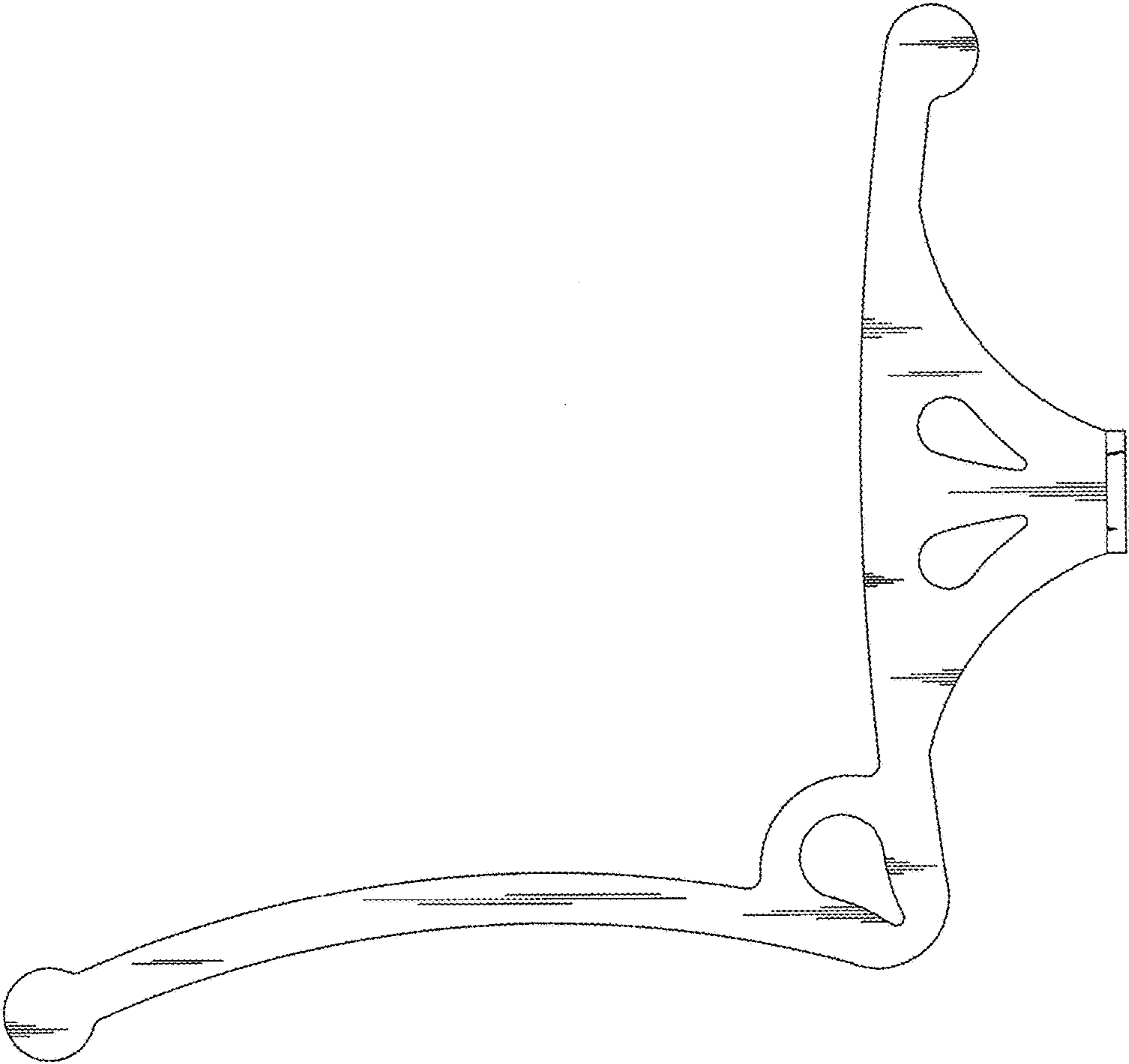


FIG. 1



**FIG. 2**

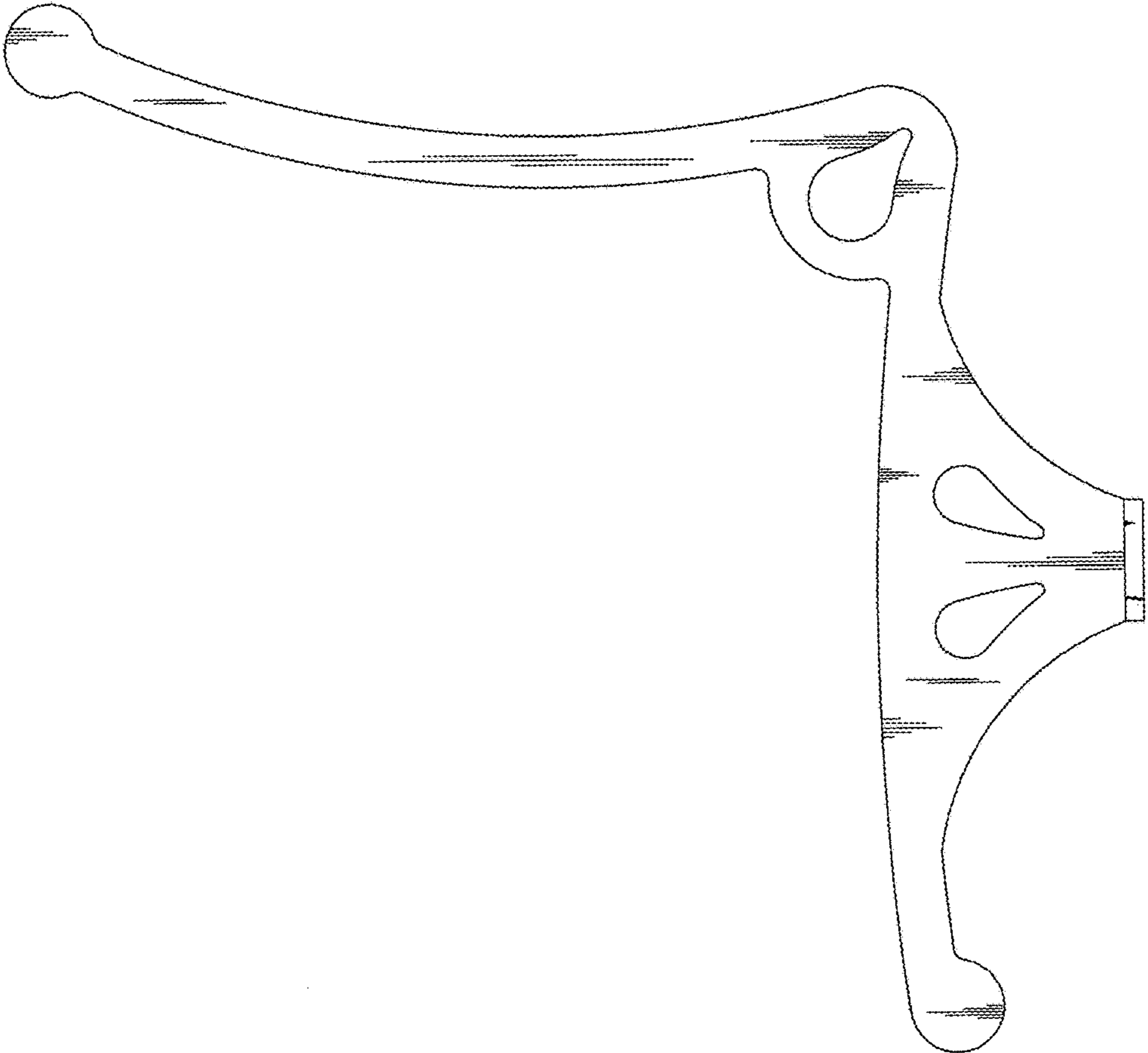


FIG. 3



**FIG. 4**

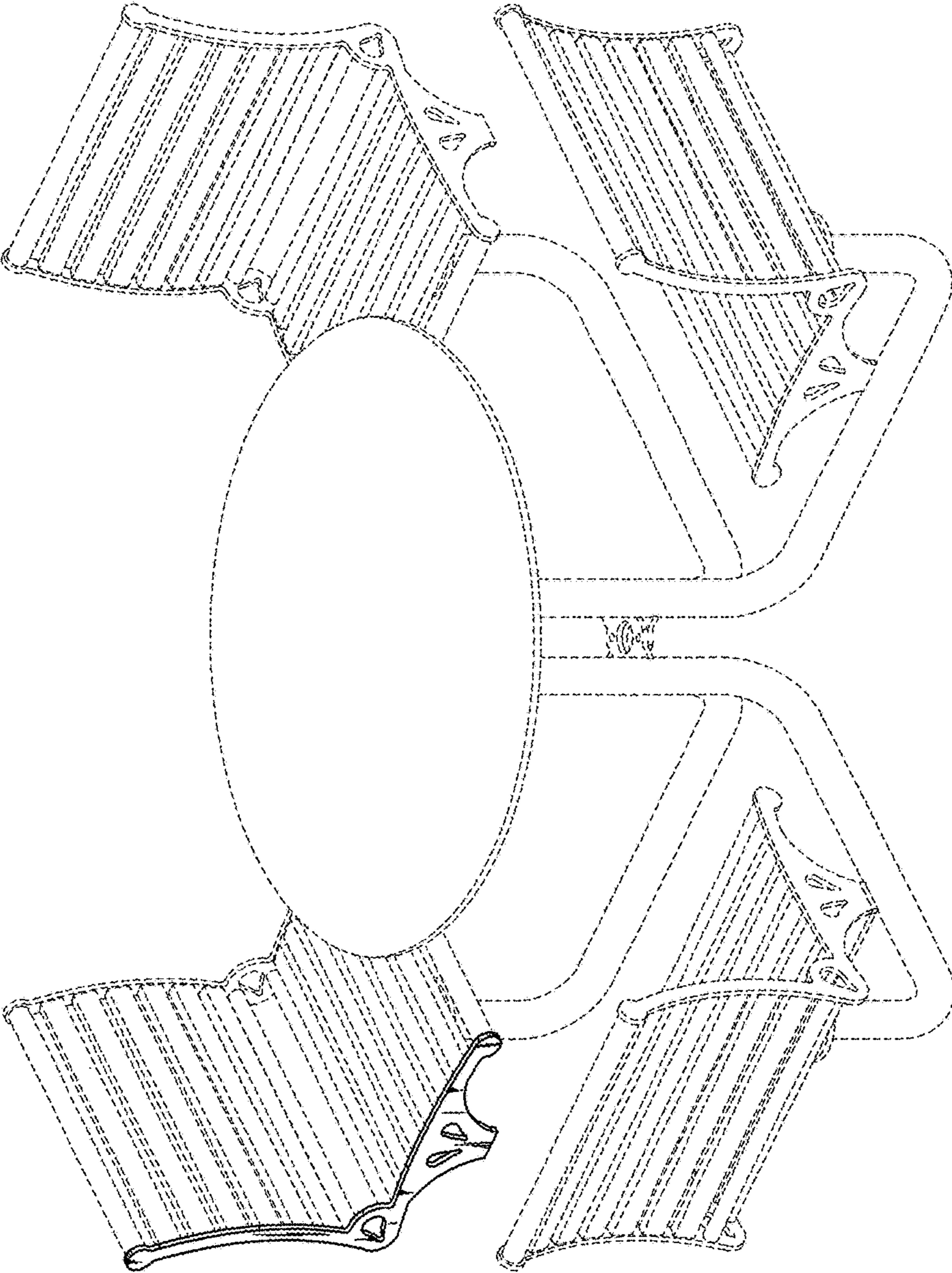


FIG. 5