



US00D818294S

(12) **United States Design Patent** (10) **Patent No.:** **US D818,294 S**
Tsai (45) **Date of Patent:** **** May 22, 2018**

(54) **CHAIR BACK FRAME**
(71) Applicant: **ZHONGSHAN SHI SONGLIN FURNITURE CO., LTD**, Zhongshan, Guangdong Prov (CN)
(72) Inventor: **Hsuan-Chin Tsai, Chai-Yi Hsien** (TW)
(73) Assignee: **Zhongshan Shi Songlin Furniture Co., Ltd.**, Zhongshan (CN)
(**) Term: **15 Years**
(21) Appl. No.: **29/557,136**
(22) Filed: **Mar. 7, 2016**
(51) **LOC (11) Cl.** **06-01**
(52) **U.S. Cl.**
USPC **D6/716.4**
(58) **Field of Classification Search**
USPC D6/716.4, 334-336, 366, 367, 369, 379, D6/380, 716, 716.1, 716.2
CPC A47C 7/16; A47C 7/40; A47C 7/46; A47C 7/022; A47C 7/282; A47C 7/285; A47C 3/20; A47C 7/002
See application file for complete search history.

(56) **References Cited**

U.S. PATENT DOCUMENTS

D539,578 S * 4/2007 Chen D6/366
D540,080 S * 4/2007 Su D6/366
D540,081 S * 4/2007 Su D6/366
D540,578 S * 4/2007 Chen D6/366
D540,579 S * 4/2007 Su D6/366
D540,580 S * 4/2007 Su D6/366
D543,398 S * 5/2007 Su D6/366
D544,735 S * 6/2007 Su D6/366
D553,886 S * 10/2007 Su D30/118
D573,817 S * 7/2008 Su D6/366
D574,645 S * 8/2008 Christensen D6/366
D580,199 S * 11/2008 Su D6/366

D585,205 S * 1/2009 Wen D6/366
D596,430 S * 7/2009 Su D6/366
D596,884 S * 7/2009 Wen D6/366
D596,885 S * 7/2009 Su D6/366
D641,573 S * 7/2011 Tsai D6/716.4
D661,136 S * 6/2012 Su D6/366
D667,244 S * 9/2012 Su D6/716.4
D669,286 S * 10/2012 Pan D6/716.4
D687,660 S * 8/2013 Hsuan-Chin D6/366
D706,068 S * 6/2014 Tsai D6/716.4
D708,882 S * 7/2014 Hsuan-Chin D6/716.4
D724,881 S * 3/2015 Tsai D6/716.4
D767,320 S * 9/2016 Xingchang D6/716.4
D770,212 S * 11/2016 Tsai D6/716.4
D772,592 S * 11/2016 Su D6/366
D773,874 S * 12/2016 Su D6/366
D774,345 S * 12/2016 Tsai D6/716.4
D774,346 S * 12/2016 Tsai D6/716.4
D774,814 S * 12/2016 Powell D6/716.4
D778,660 S * 2/2017 Tsai D6/716.4
D782,238 S * 3/2017 Jun D6/716.4

(Continued)

Primary Examiner — David G Muller
Assistant Examiner — Nathan M Johnston
(74) *Attorney, Agent, or Firm* — Alan D. Kamrath;
Kamrath IP Lawfirm, P.A.

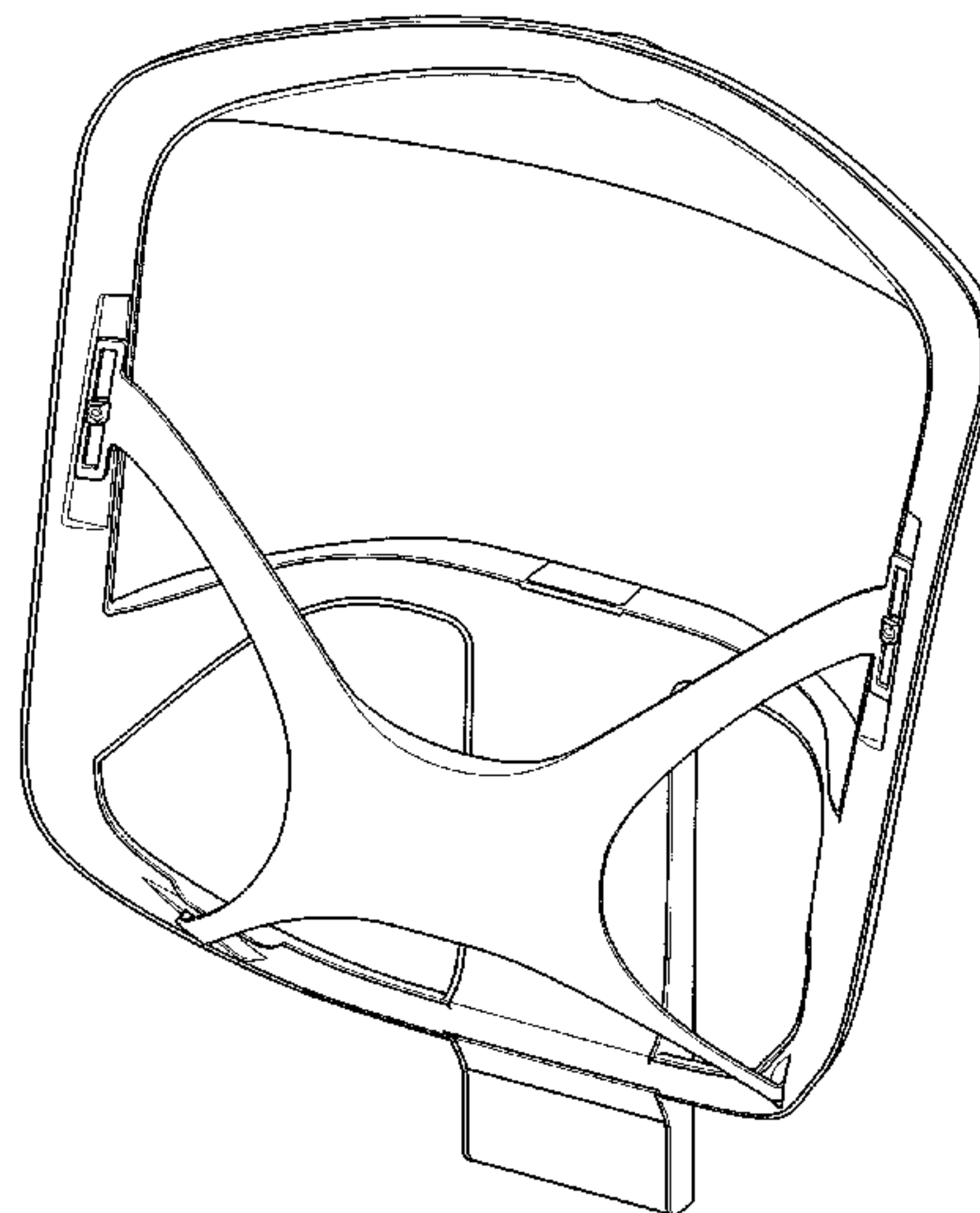
(57) **CLAIM**

The ornamental design for a chair back frame, as shown and described.

DESCRIPTION

FIG. 1 is a perspective view of a chair back frame, showing my new design;
FIG. 2 is a front elevational view thereof;
FIG. 3 is a rear elevational view thereof;
FIG. 4 is a left side view thereof;
FIG. 5 is a right side view thereof;
FIG. 6 is a top plan view thereof; and,
FIG. 7 is a bottom plan view thereof.

1 Claim, 5 Drawing Sheets



(56)

References Cited

U.S. PATENT DOCUMENTS

D782,239	S	*	3/2017	Tsai	D6/716.4
D790,895	S	*	7/2017	Su	D6/716.4
9,713,384	B1	*	7/2017	Chen	A47C 7/40
D793,140	S	*	8/2017	Tsai	D6/716.4
D793,143	S	*	8/2017	Tsai	D6/716.4
2013/0020849	A1	*	1/2013	Hsuan-Chin	A47C 7/44 297/307

* cited by examiner

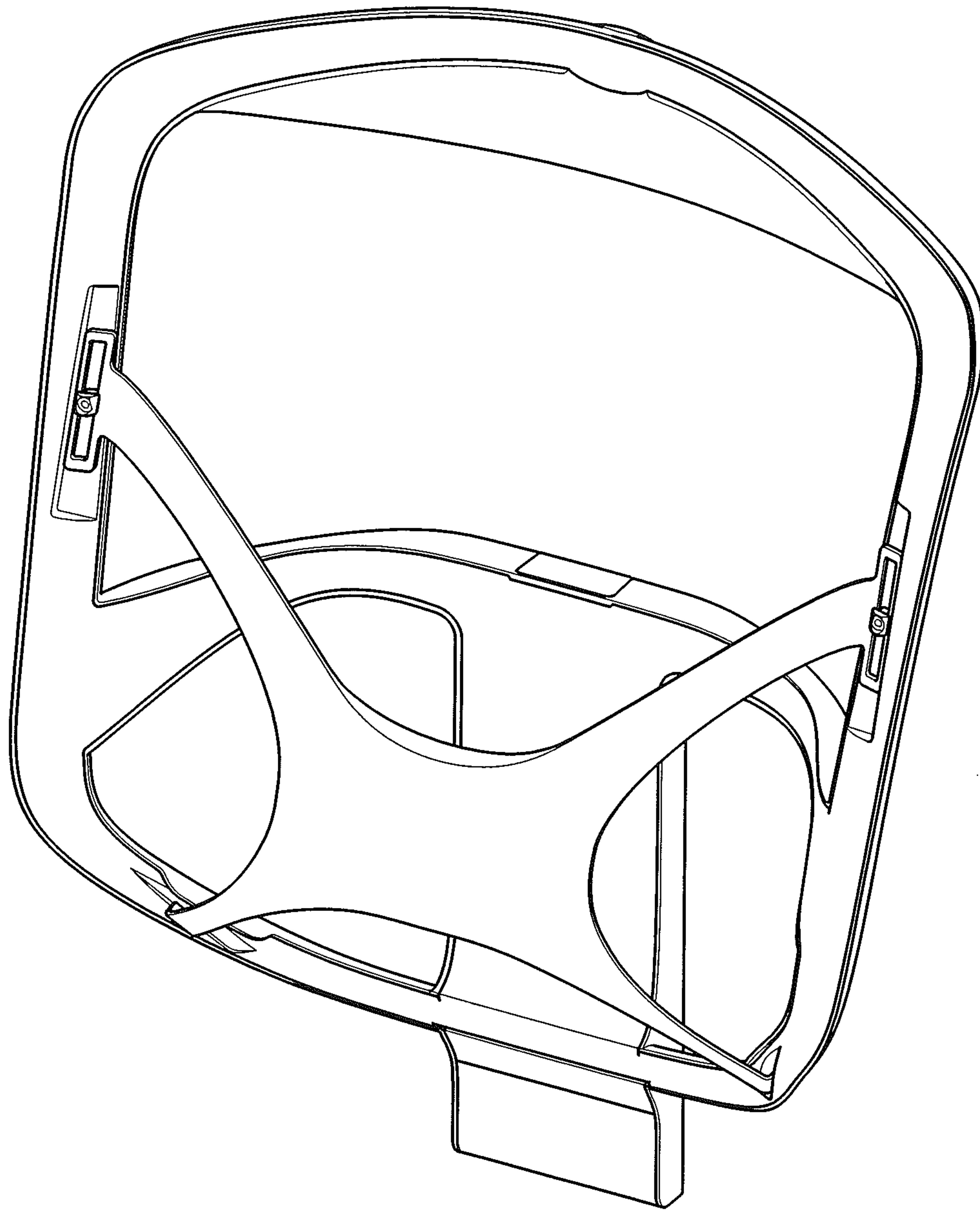


FIG. 1

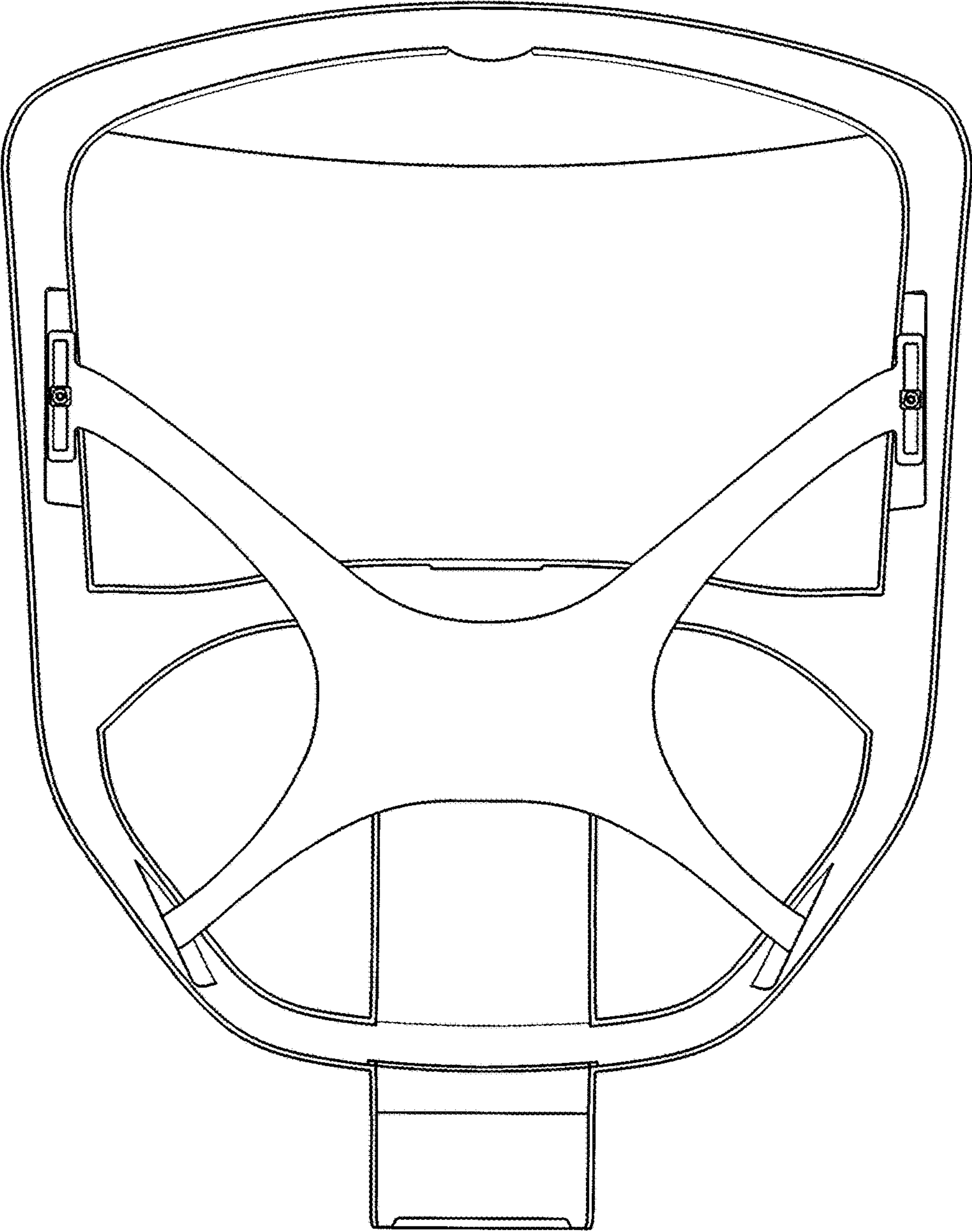


FIG. 2

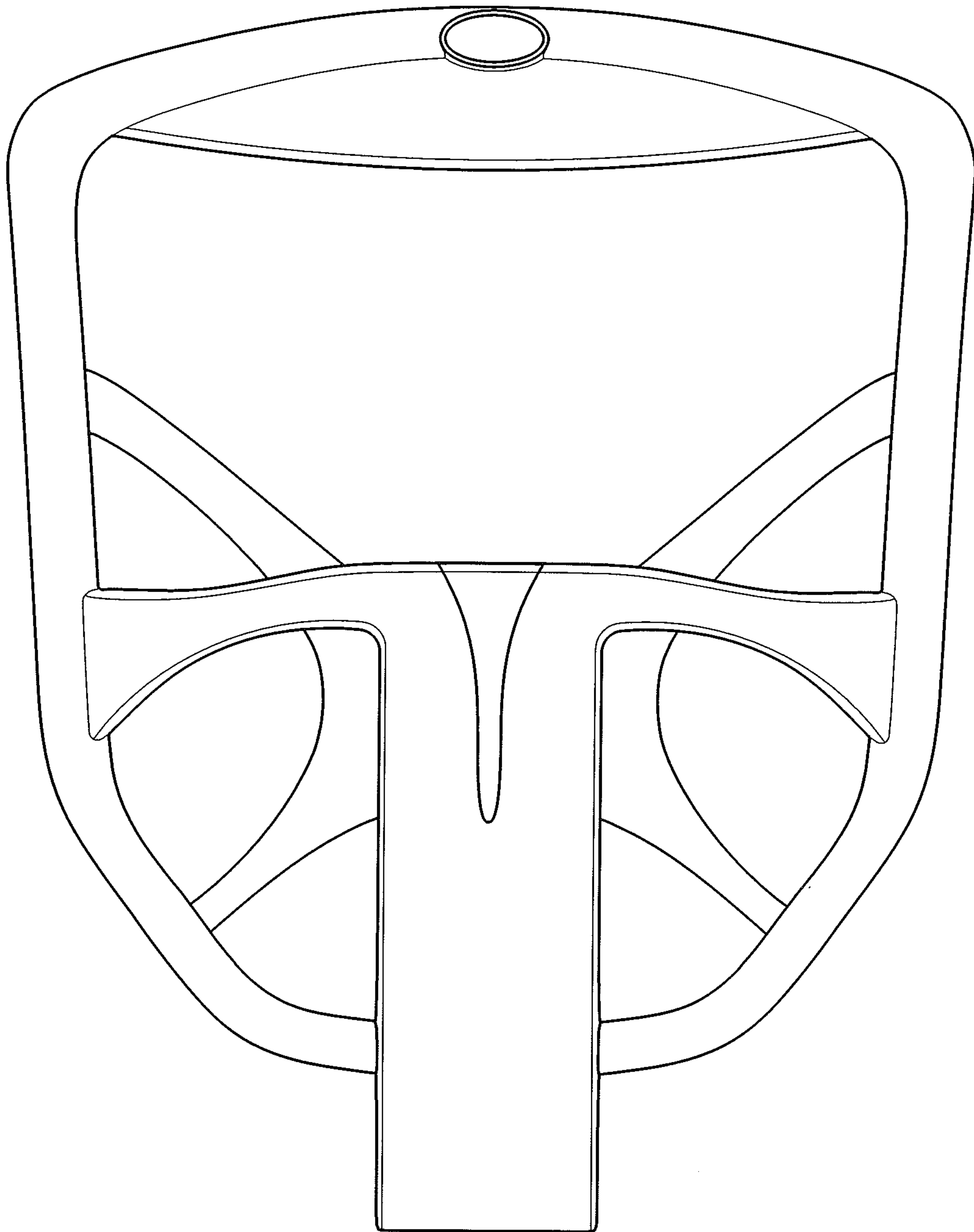


FIG. 3

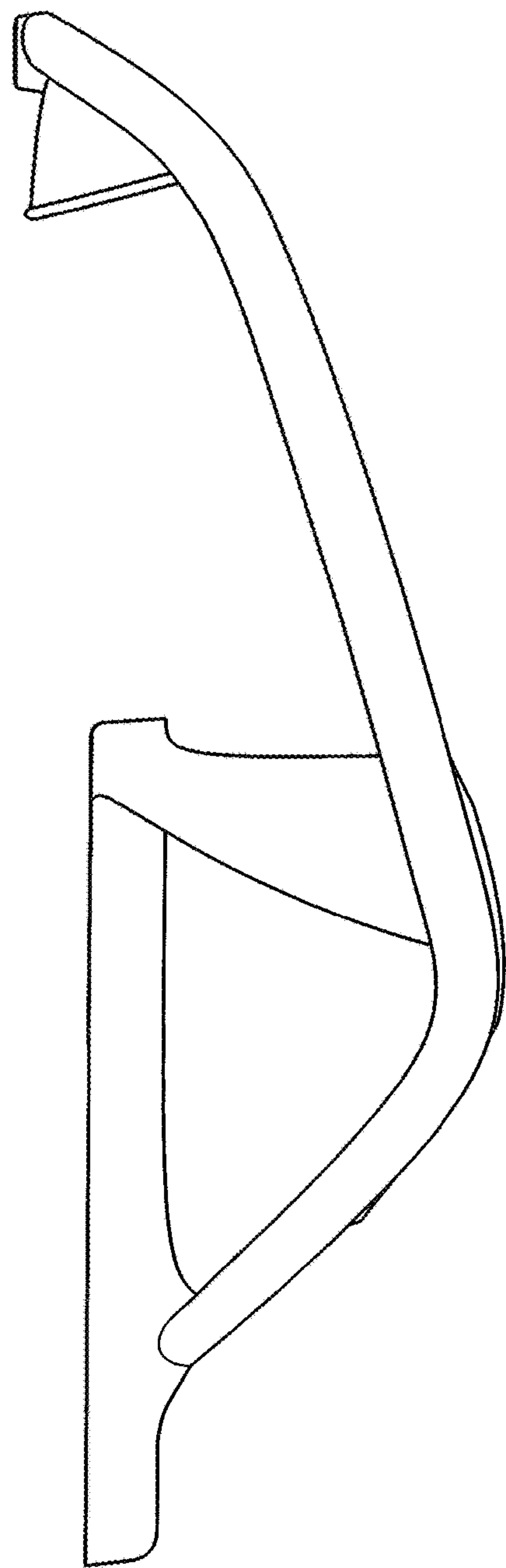


FIG. 4

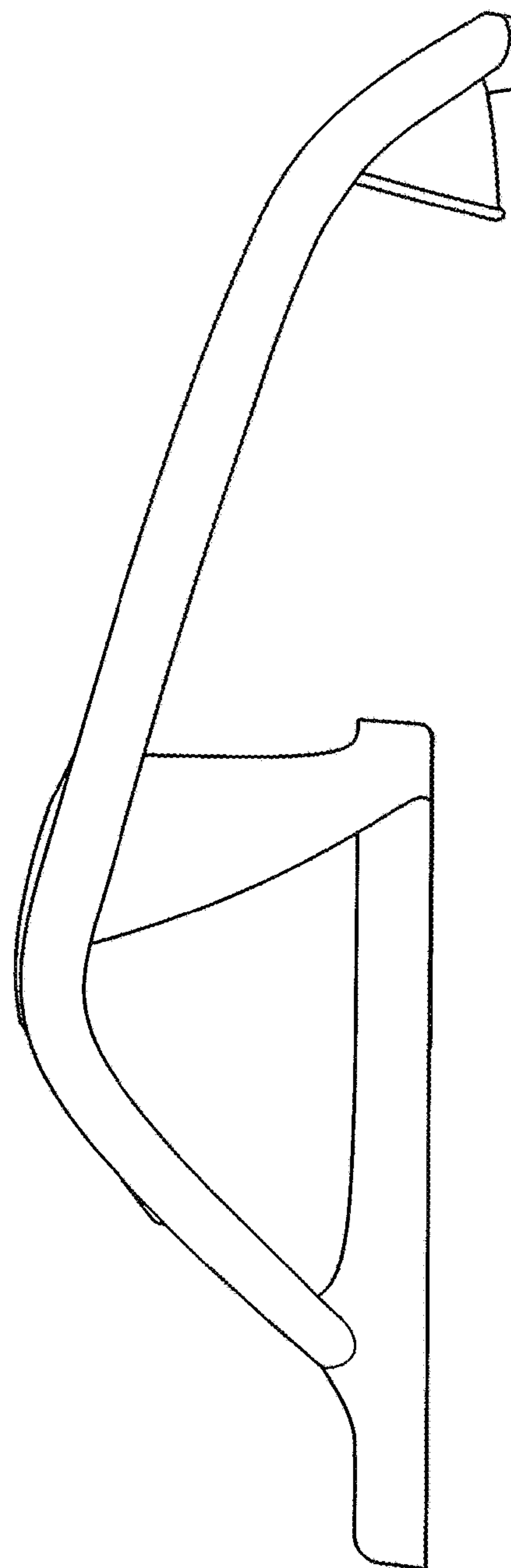


FIG. 5

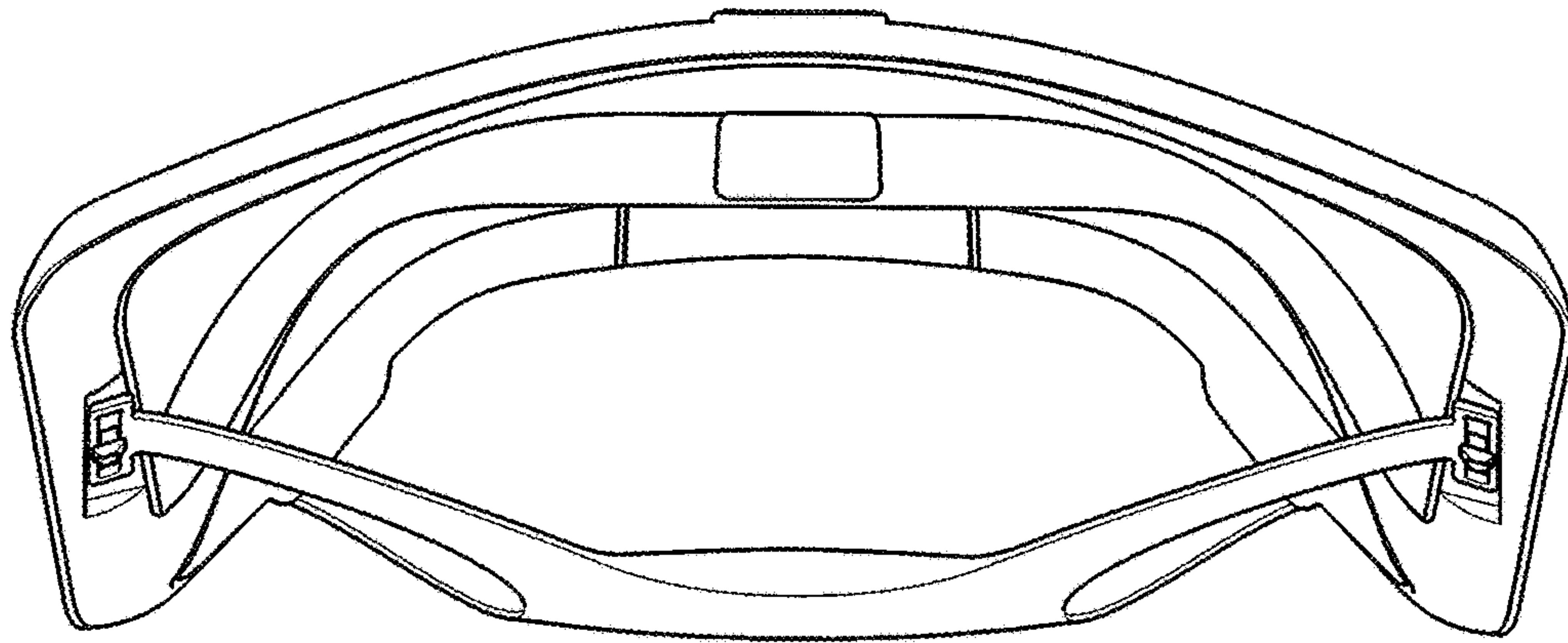


FIG. 6

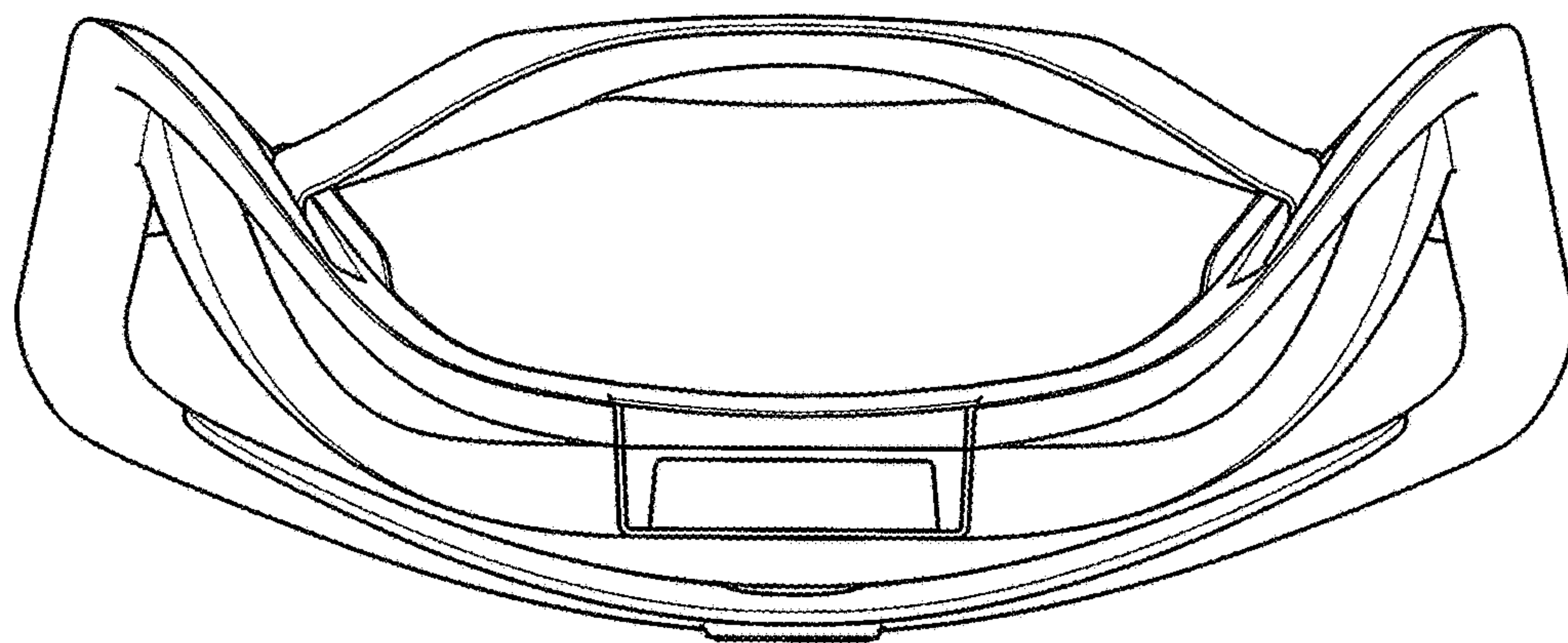


FIG. 7