



US00D818287S

(12) **United States Design Patent** (10) **Patent No.:** **US D818,287 S**
Swank (45) **Date of Patent:** **** May 22, 2018**

(54) **TERRACOTTA POT HOLDER**
(71) Applicant: **Ronald Neil Swank**, Nampa, ID (US)
(72) Inventor: **Ronald Neil Swank**, Nampa, ID (US)
(**) Term: **15 Years**
(21) Appl. No.: **29/606,867**
(22) Filed: **Jun. 8, 2017**
(51) **LOC (11) Cl.** **06-03**
(52) **U.S. Cl.**
USPC **D6/405**
(58) **Field of Classification Search**
USPC D8/373, 349, 354, 367; D11/143, 164;
D6/403-405
CPC A47G 7/044; A47G 7/047; A47G 7/00;
A47G 7/04
See application file for complete search history.

D547,976 S * 8/2007 Torrente Bonatti D8/349
D550,484 S * 9/2007 Bonatti D8/349
D555,466 S * 11/2007 Hennig D6/571
D557,115 S * 12/2007 Zakowski D8/354
D574,699 S * 8/2008 Palmer D6/556
D627,623 S * 11/2010 Densmore D8/354
D724,415 S * 3/2015 Lu D8/373
2004/0035049 A1 2/2004 McLarty
(Continued)

FOREIGN PATENT DOCUMENTS

JP 10179357 A 7/1998

OTHER PUBLICATIONS

Four Pot Hanging Plant Holder. Feb. 13, 2013 [retrieved May 22, 2017]. Retrieved from the Internet: <URL:https://www.notonthehighstreet.com/potnotch/product/potnotch-four-pot-holder>.

(Continued)

Primary Examiner — Sheryl Lane
(74) *Attorney, Agent, or Firm* — Colby Nipper PLLC

(56) **References Cited**

U.S. PATENT DOCUMENTS

D29,550 S * 10/1898 Patterson 52/165
5,074,504 A * 12/1991 Minnick A47G 7/044
248/312.1
5,381,993 A * 1/1995 Eckler A47G 7/044
248/312.1
D392,551 S * 3/1998 Brady D8/373
D394,576 S * 5/1998 Gualandri D6/556
6,003,824 A * 12/1999 Peterson A47G 7/044
248/312.1
6,079,686 A * 6/2000 Reed A47G 7/044
248/312.1
6,135,669 A * 10/2000 Doelling A01K 39/012
403/213
6,213,678 B1 * 4/2001 Doelling A01K 39/012
403/213
D446,710 S * 8/2001 Sterling D8/354
6,588,721 B1 * 7/2003 Rischmueller A47G 7/044
248/215
D488,053 S * 4/2004 Murphy D25/131
D508,395 S * 8/2005 Gamble D8/363

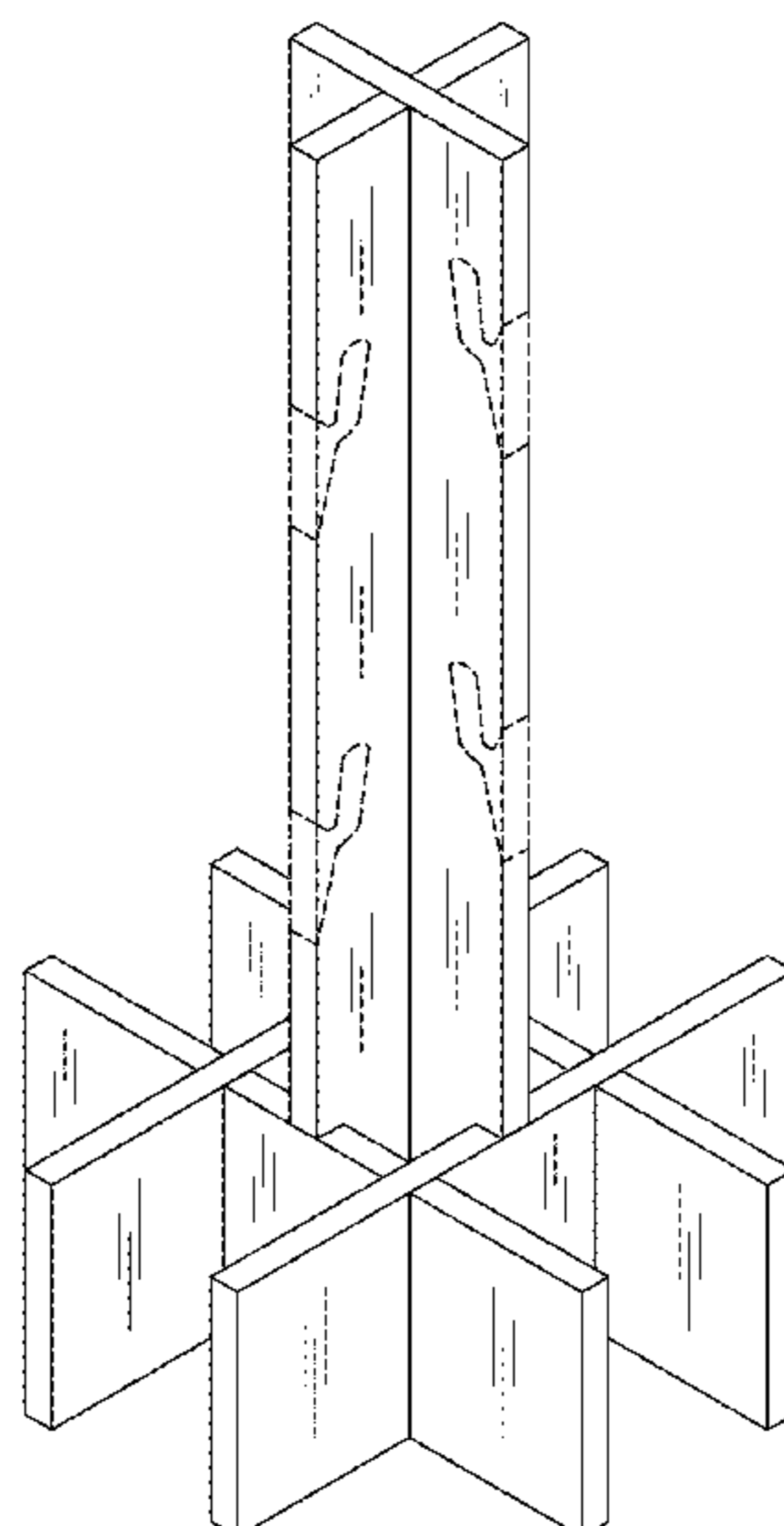
(57) **CLAIM**

I claim the ornamental design for a terracotta pot holder, as shown and described.

DESCRIPTION

FIG. 1 is an isometric view of a terracotta pot holder showing my design;
FIG. 2 is a front side view thereof, it being understood that the back side is a mirror image of that shown;
FIG. 3 is a right side view thereof, it being understood that the left side is a mirror image of that shown;
FIG. 4 is a top view thereof; and,
FIG. 5 is a bottom plan view thereof.
The broken lines represent boundaries of the claim and form no part of the claimed design.

1 Claim, 4 Drawing Sheets



(56)

References Cited

U.S. PATENT DOCUMENTS

2009/0278013 A1* 11/2009 Palmer A47G 7/044
248/312.1
2010/0011661 A1* 1/2010 McLaughlin A47G 7/044
47/67

OTHER PUBLICATIONS

Co-pending U.S. Appl. No. 29/570,205.

* cited by examiner

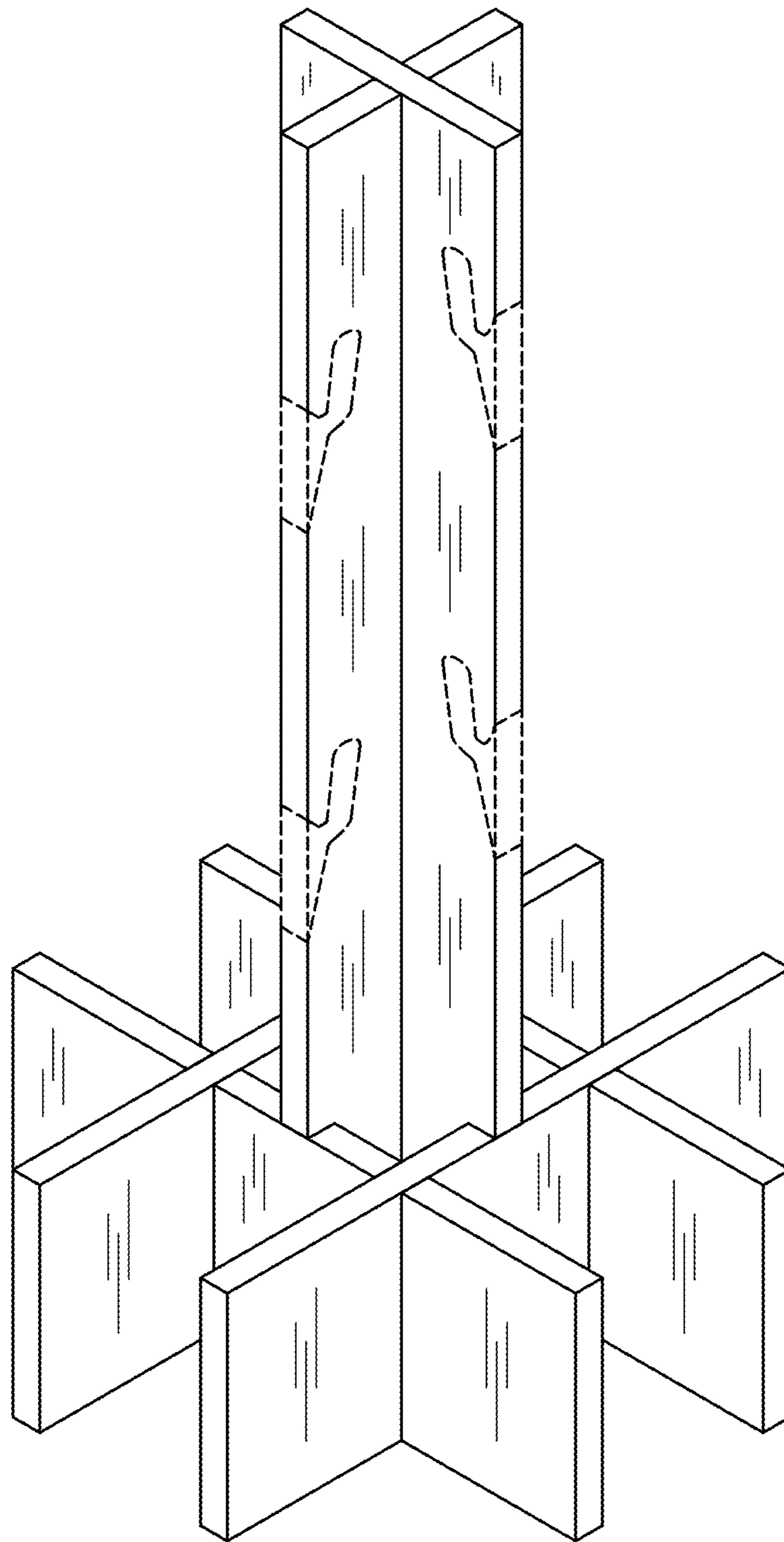


FIG. 1

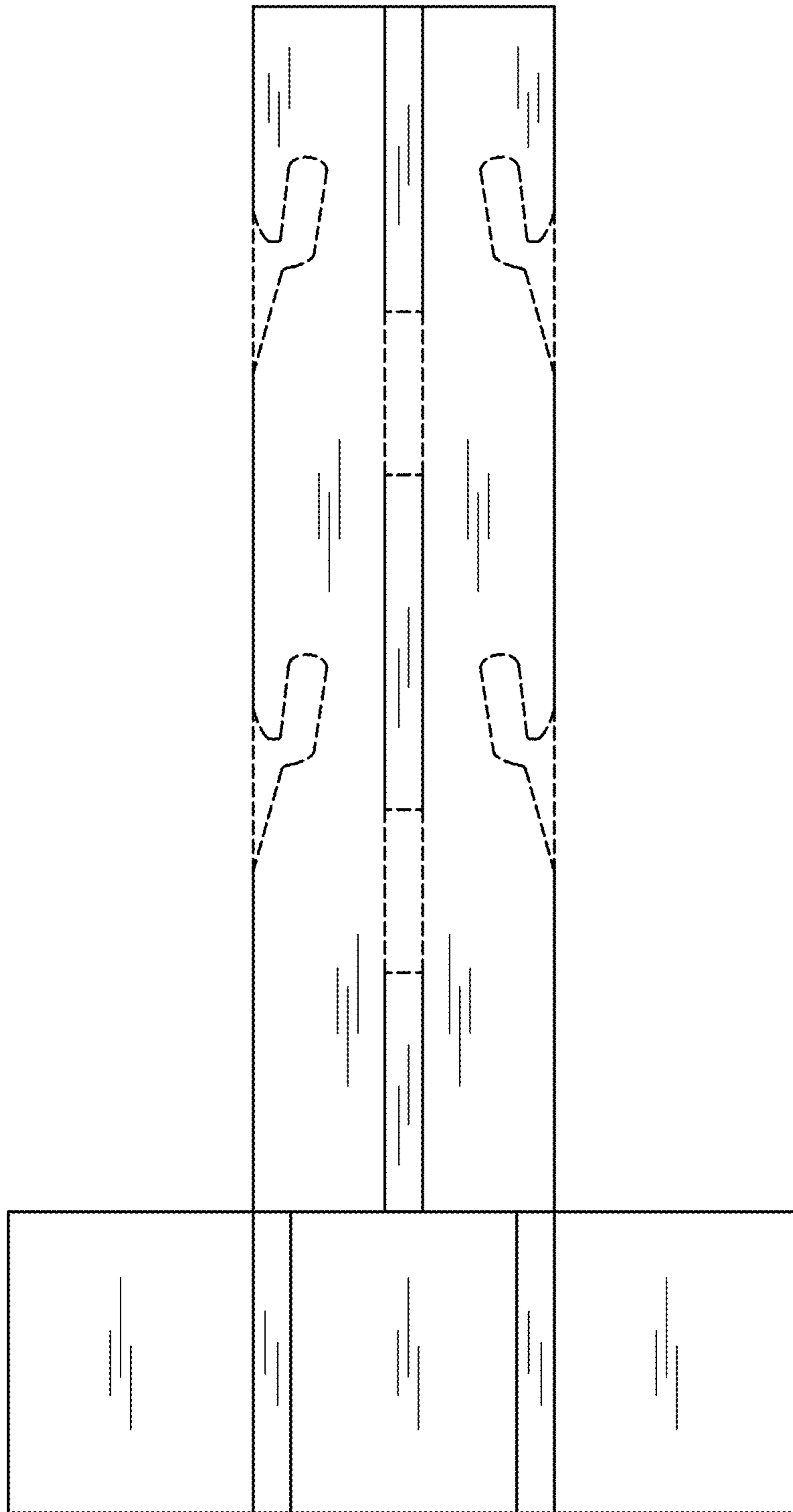


FIG. 2

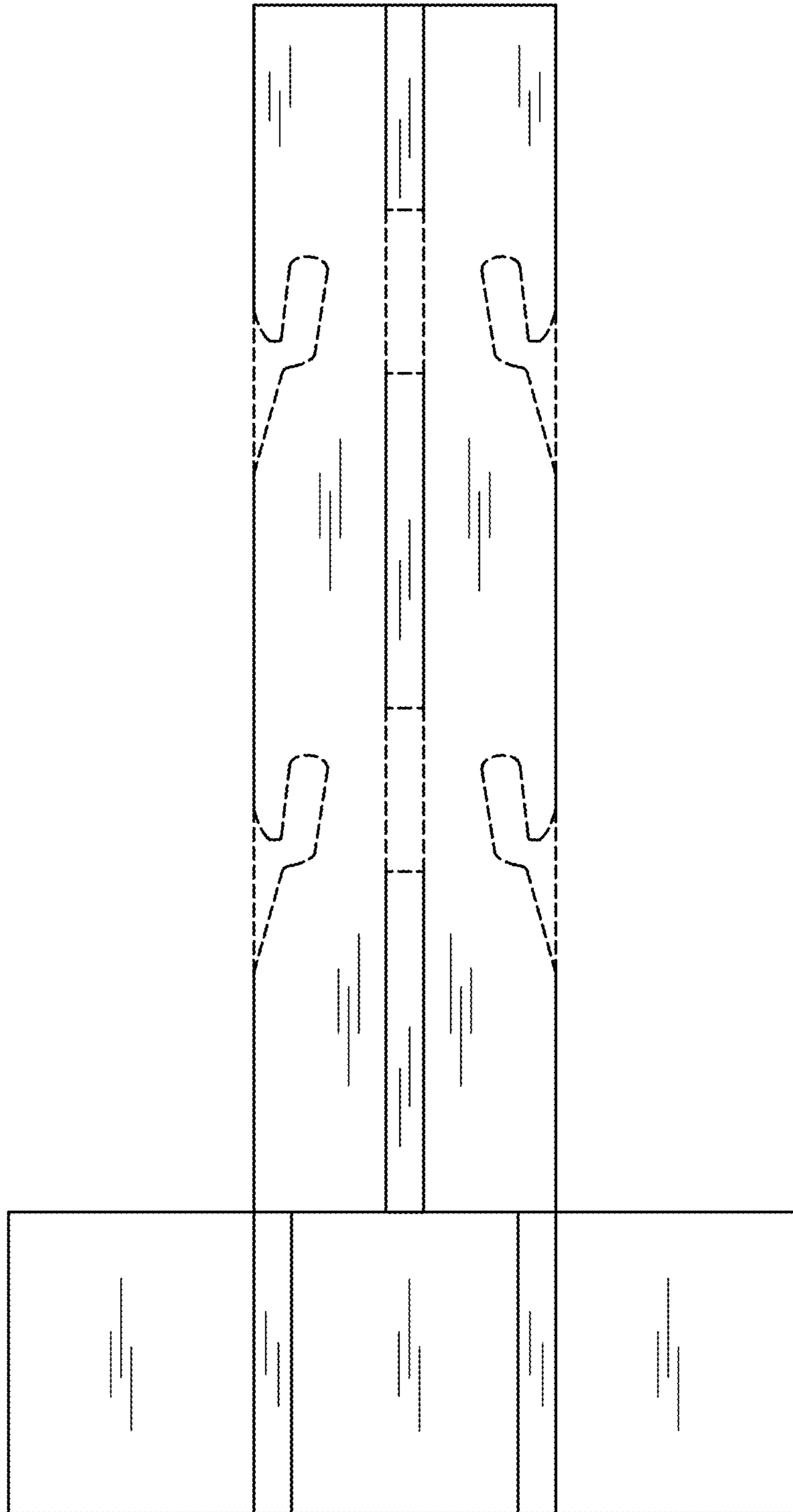


FIG. 3

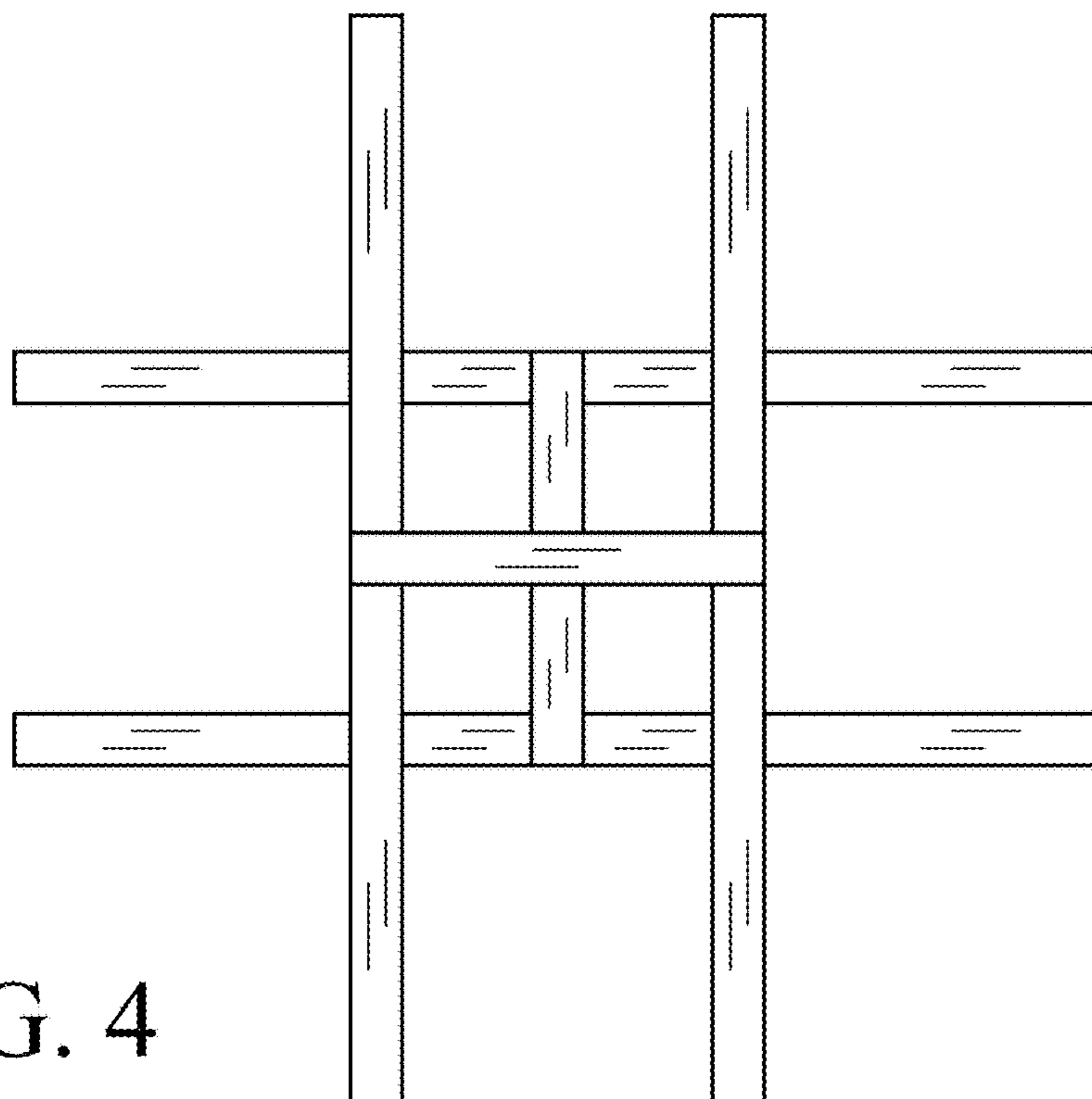


FIG. 4

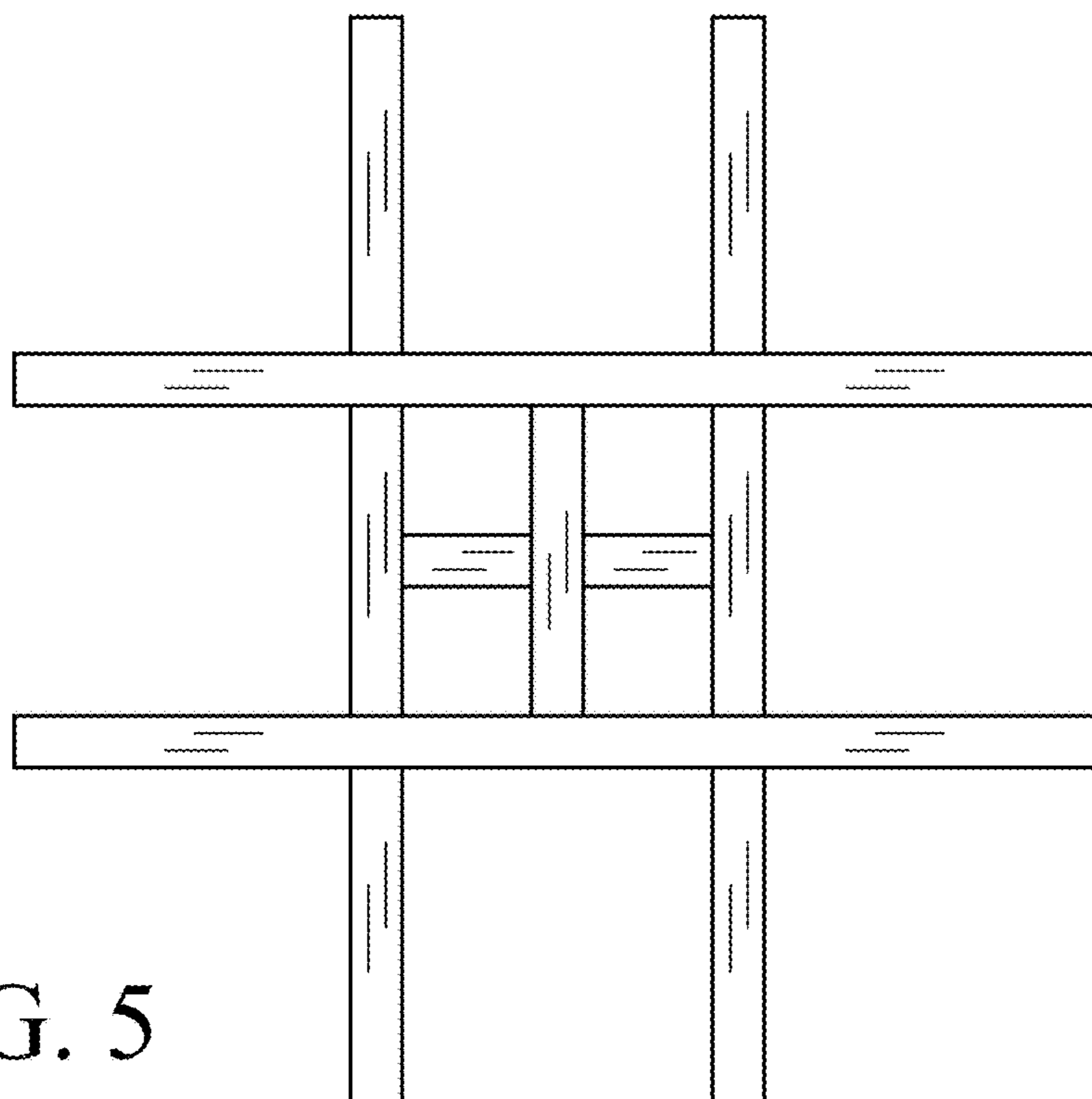


FIG. 5