



US00D818285S

(12) **United States Design Patent**  
**Jacoby**

(10) **Patent No.:** **US D818,285 S**

(45) **Date of Patent:** **\*\* May 22, 2018**

(54) **CHAIR**

(71) Applicant: **Eric Jacoby Design, Inc.**, Salt Lake City, UT (US)

(72) Inventor: **Eric Robert Jacoby**, Salt Lake City, UT (US)

(73) Assignee: **ERIC JACOBY DESIGN, INC.**, Salt Lake City, UT (US)

(\*\*) Term: **15 Years**

(21) Appl. No.: **29/603,741**

(22) Filed: **May 11, 2017**

(51) **LOC (11) Cl.** ..... **06-01**

(52) **U.S. Cl.**  
USPC ..... **D6/375**

(58) **Field of Classification Search**  
USPC ..... D6/334-336, 371, 372, 373, 374, 375,  
D6/716, 716.1, 716.2, 716.3, 716.4  
CPC ..... A47C 4/024; A47C 4/025; A47C 4/027;  
A47C 3/12; A47C 4/02; A47C 4/03;  
A47C 5/12; A47C 7/16  
See application file for complete search history.

(56) **References Cited**

**U.S. PATENT DOCUMENTS**

D167,940 S \* 10/1952 Hofgesang ..... D6/375  
D239,345 S \* 3/1976 Keller ..... D6/375

D240,575 S \* 7/1976 Rinaldi ..... D6/372  
D252,840 S \* 9/1979 Scholten ..... D6/375  
D339,925 S \* 10/1993 Farre-Escofet Paris ..... D6/375  
D374,992 S \* 10/1996 Burdick ..... D6/334  
D520,257 S \* 5/2006 Ng ..... D6/375  
D521,265 S \* 5/2006 Andersson ..... D6/375  
D637,417 S \* 5/2011 Marcomini ..... D6/375  
D646,498 S \* 10/2011 Blasini ..... D6/375  
D751,314 S \* 3/2016 Meyer ..... D6/375

\* cited by examiner

*Primary Examiner* — Mimosa De

(74) *Attorney, Agent, or Firm* — Fabian VanCott; Brian J. Riddle

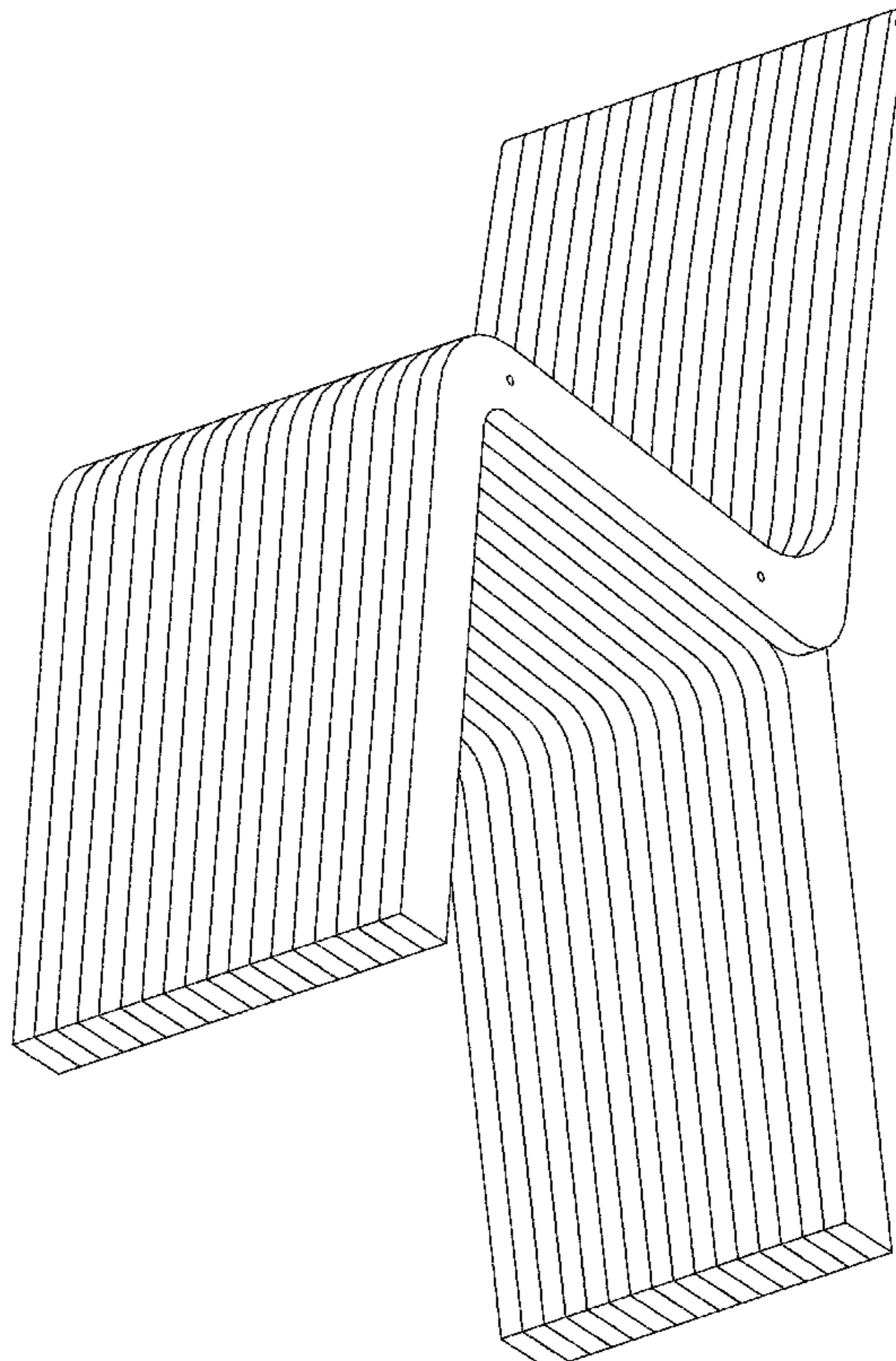
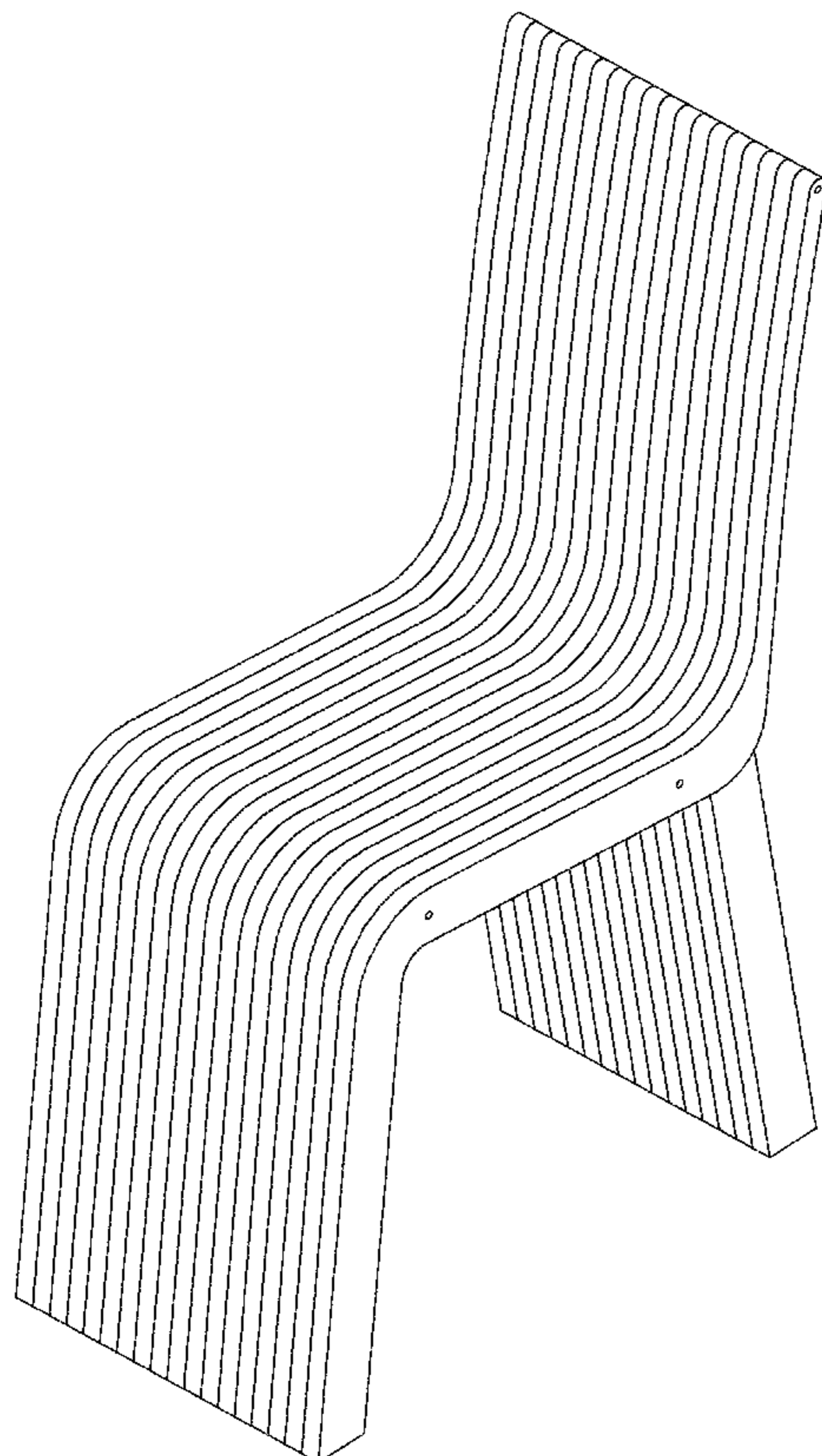
(57) **CLAIM**

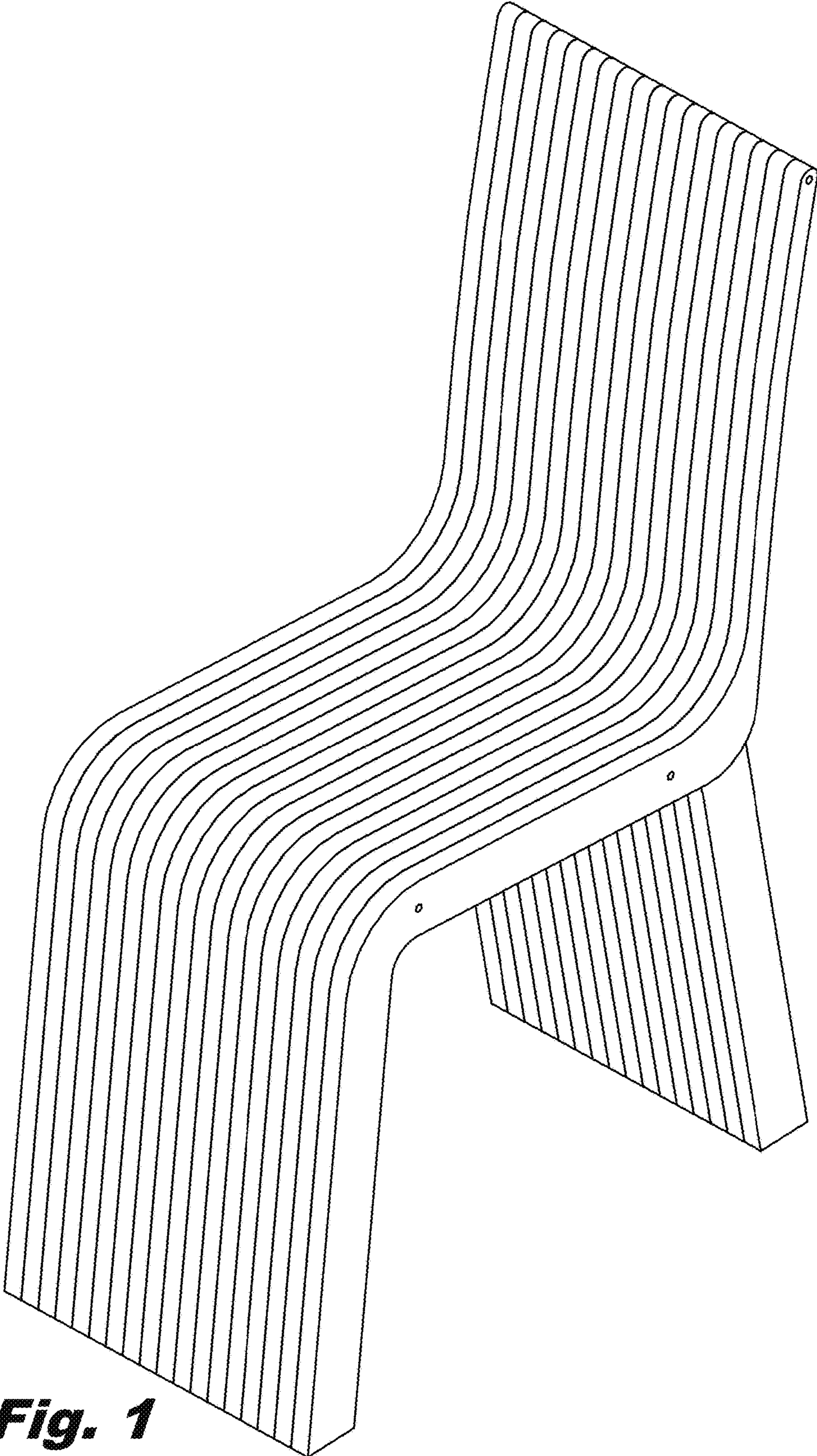
The ornamental design for a chair, as shown.

**DESCRIPTION**

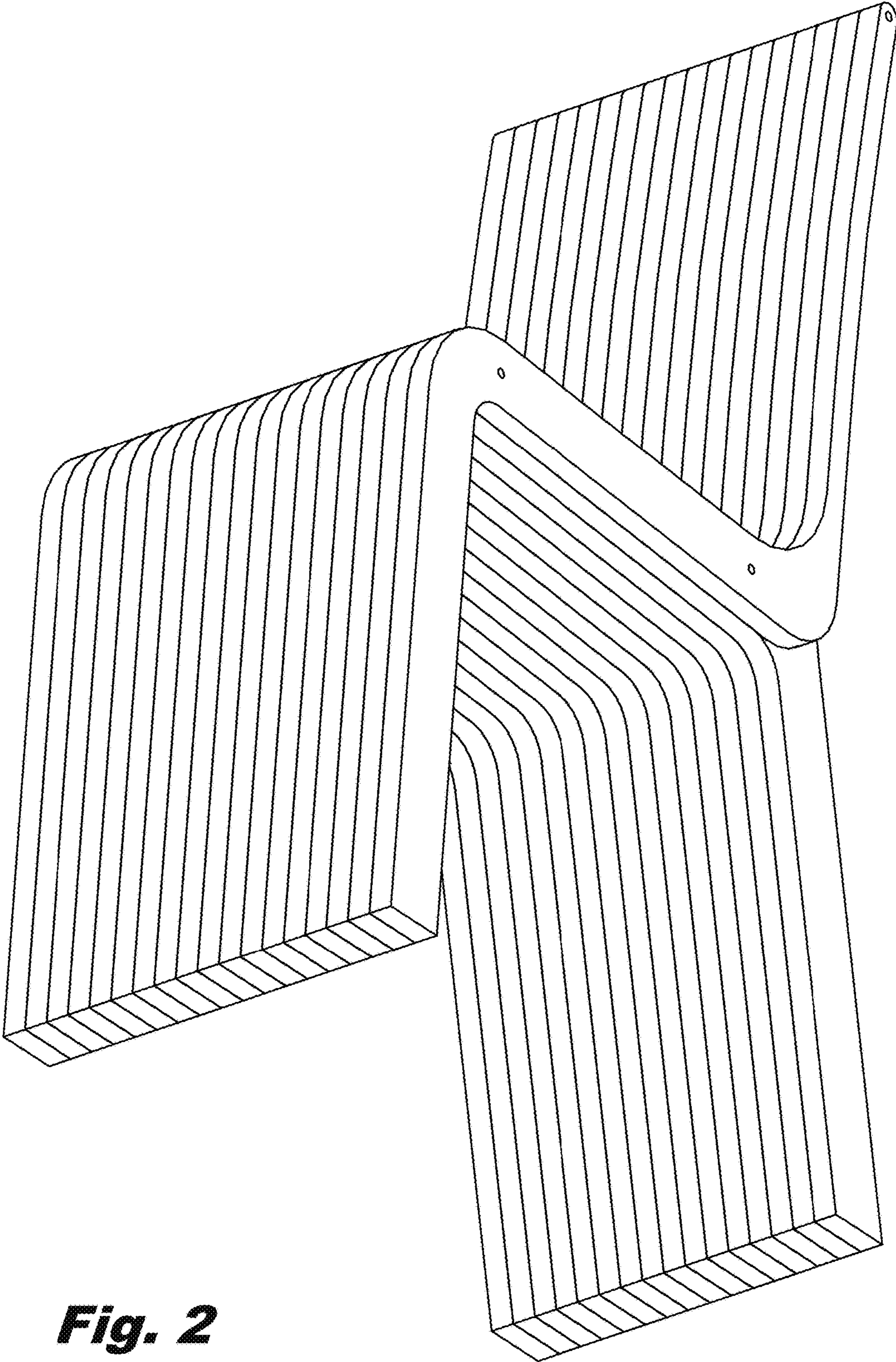
FIG. 1 is a top axonometric view of a chair showing the new design;  
FIG. 2 is a bottom axonometric view of the chair;  
FIG. 3 is a top plan view of the chair;  
FIG. 4 is a bottom plan view of the chair;  
FIG. 5 is a front elevation view of the chair;  
FIG. 6 is a rear elevation view of the chair;  
FIG. 7 is a left-side elevation view of the chair; and,  
FIG. 8 is a right-side elevation view of the chair.

**1 Claim, 8 Drawing Sheets**

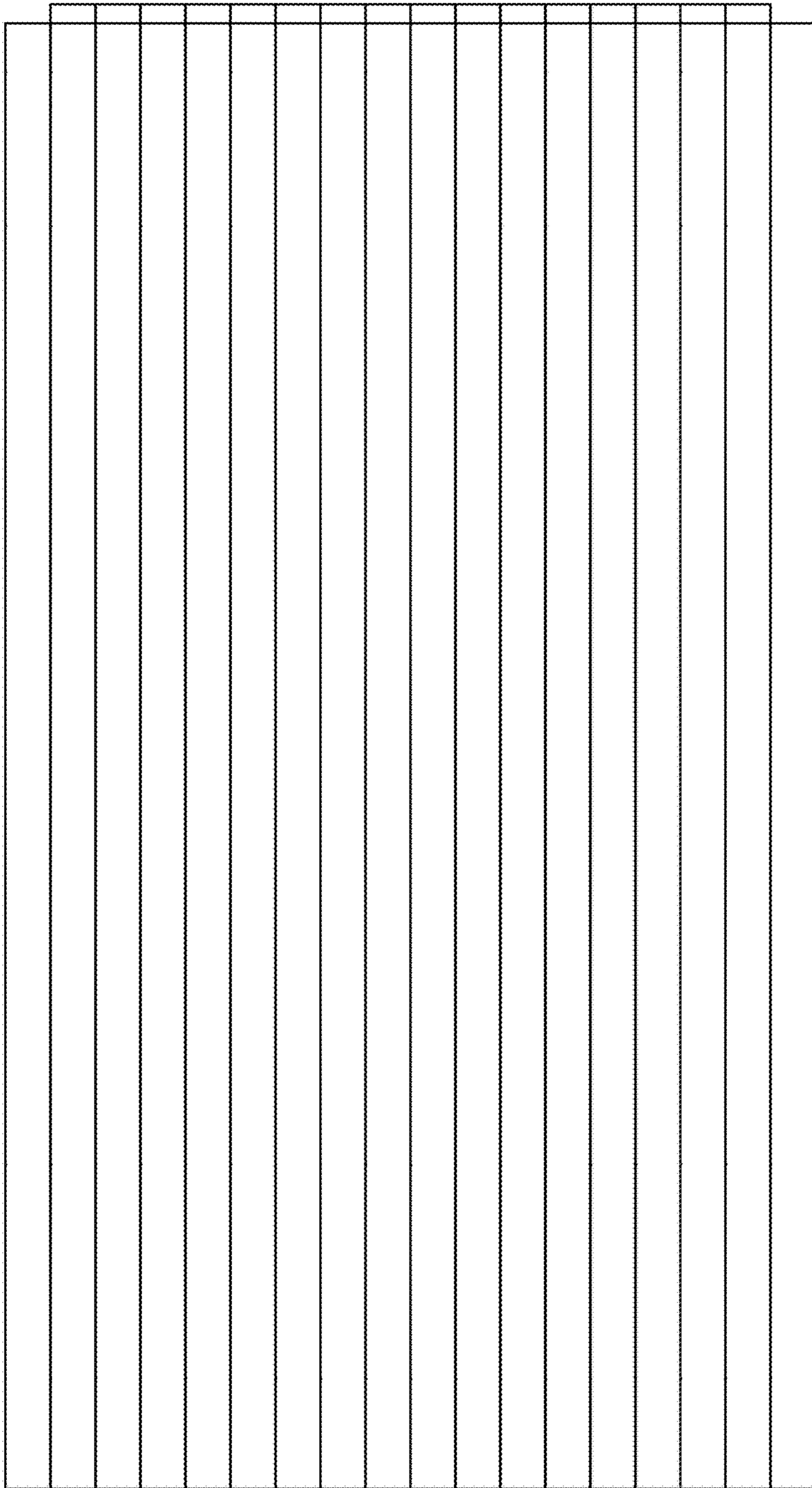




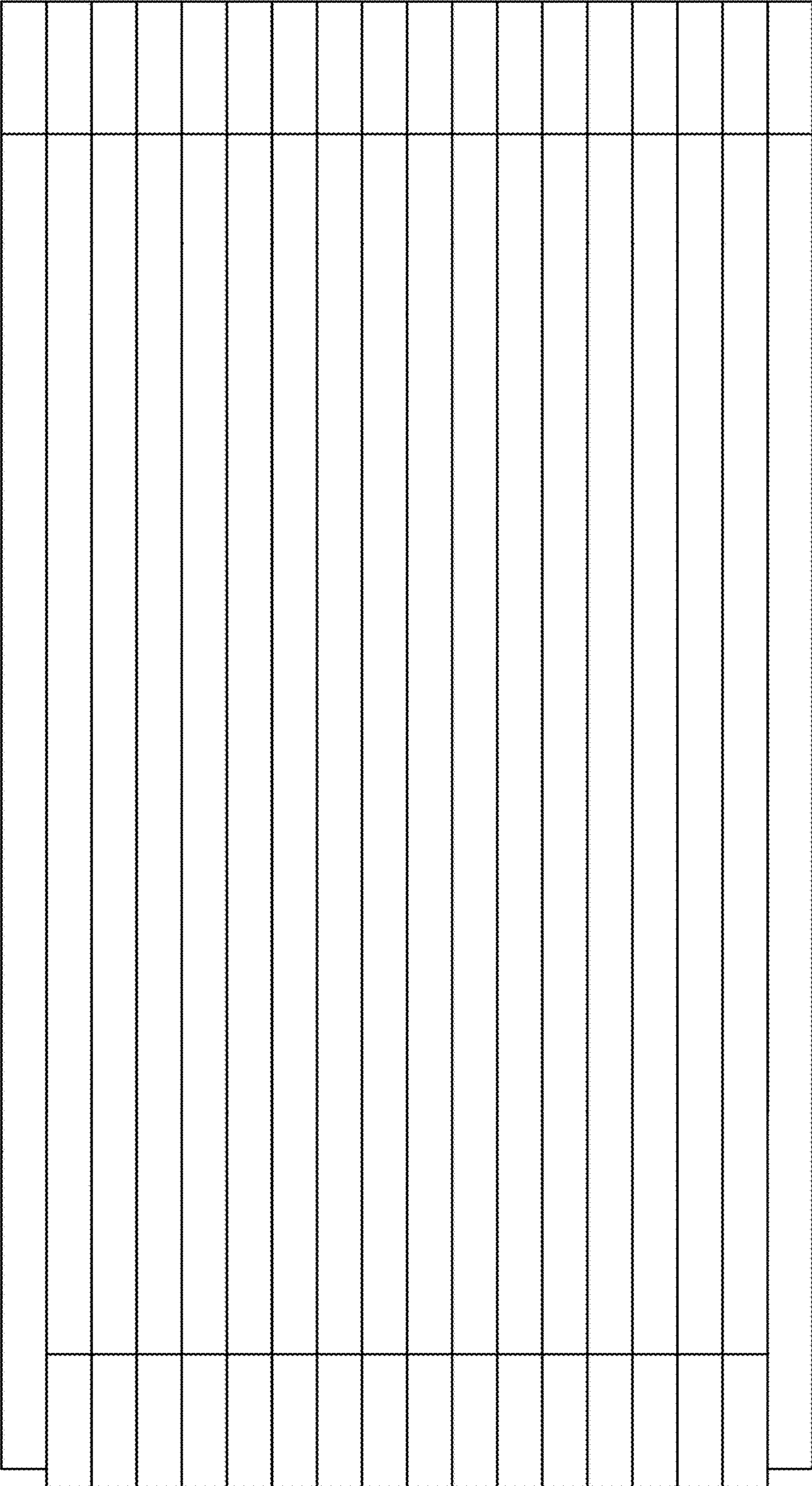
**Fig. 1**



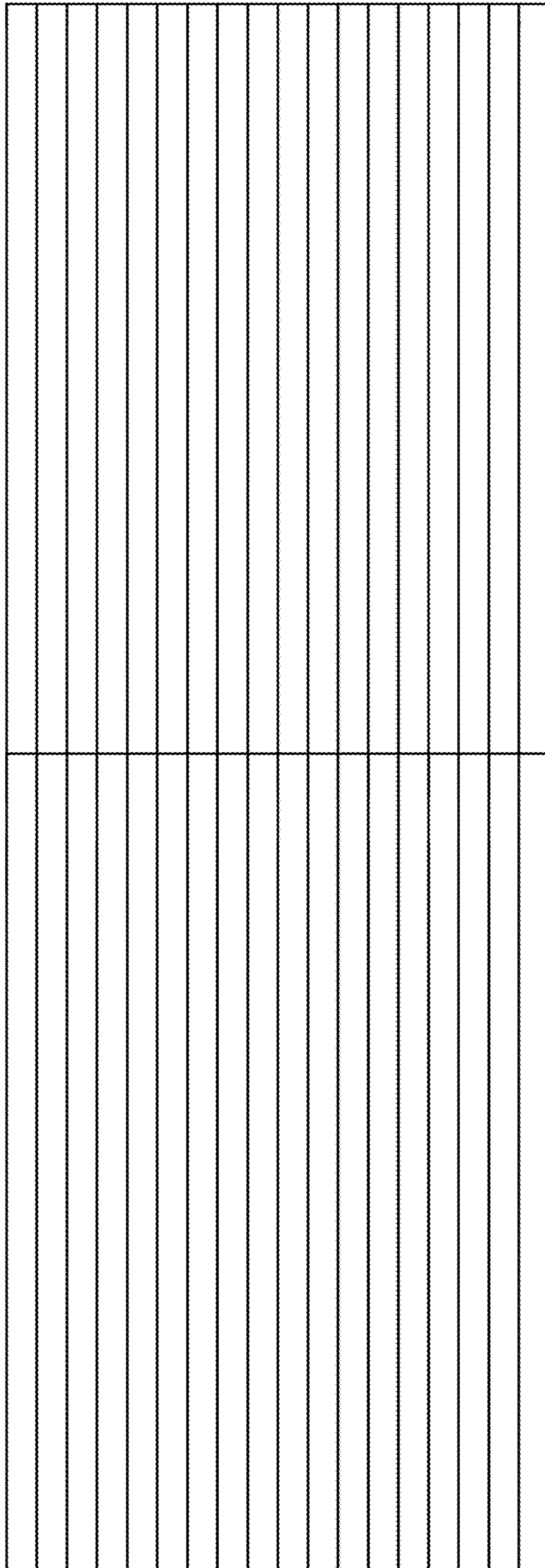
**Fig. 2**



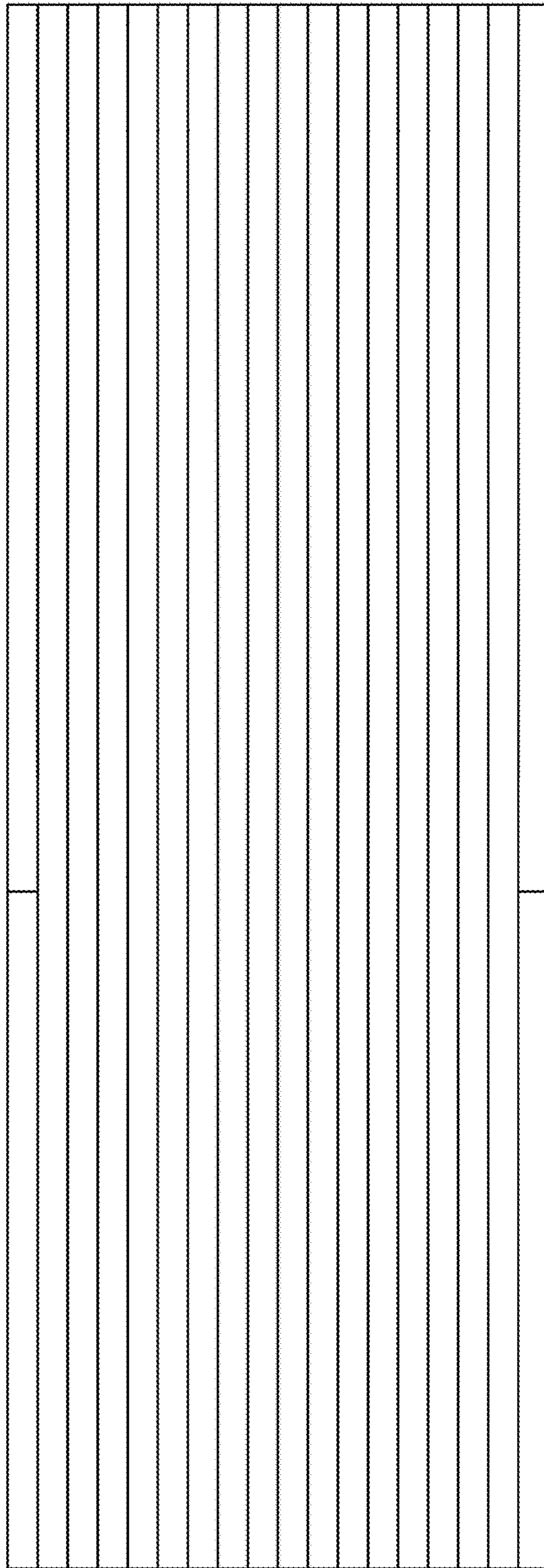
***Fig. 3***



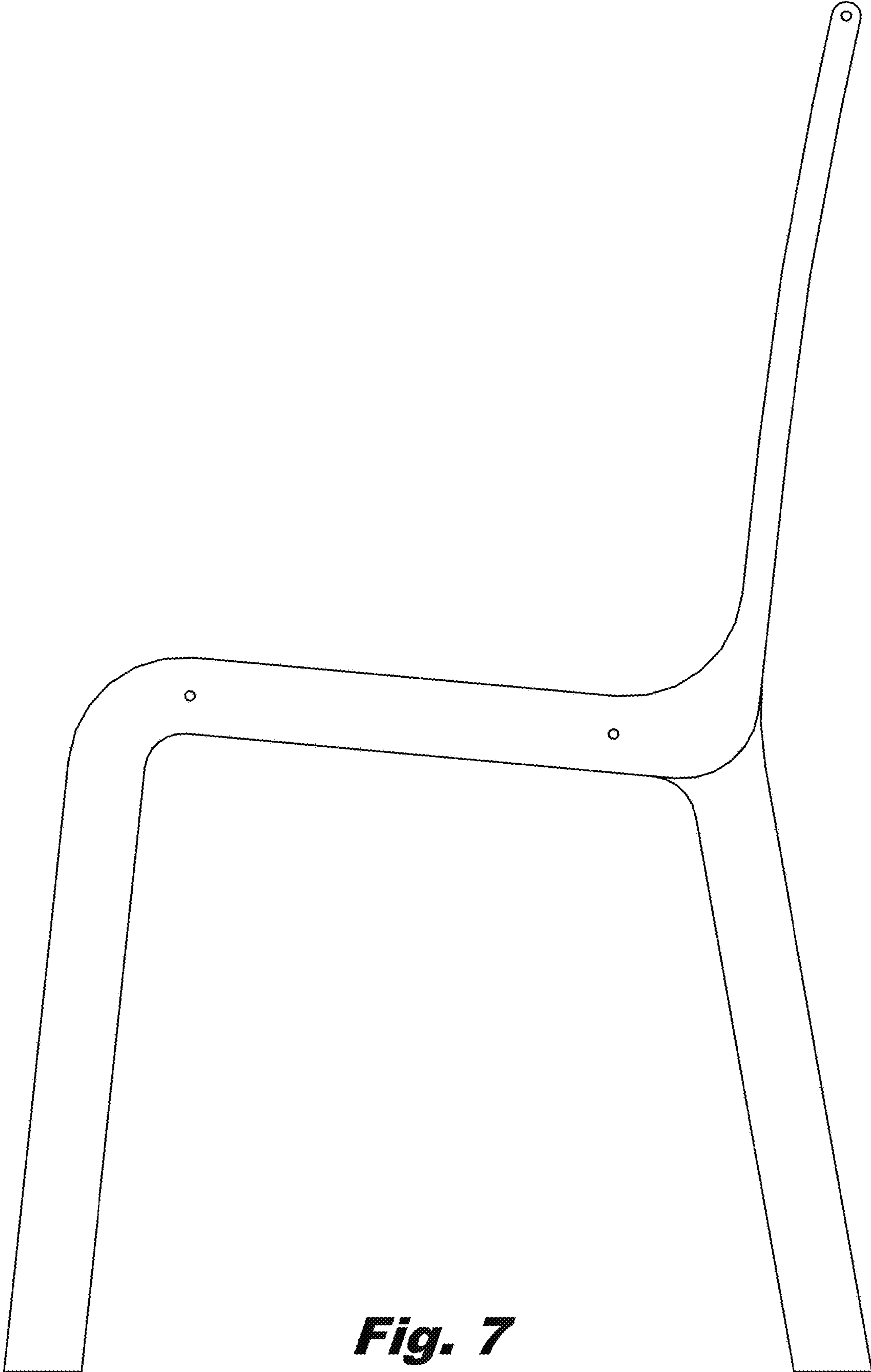
**Fig. 4**



***Fig. 5***

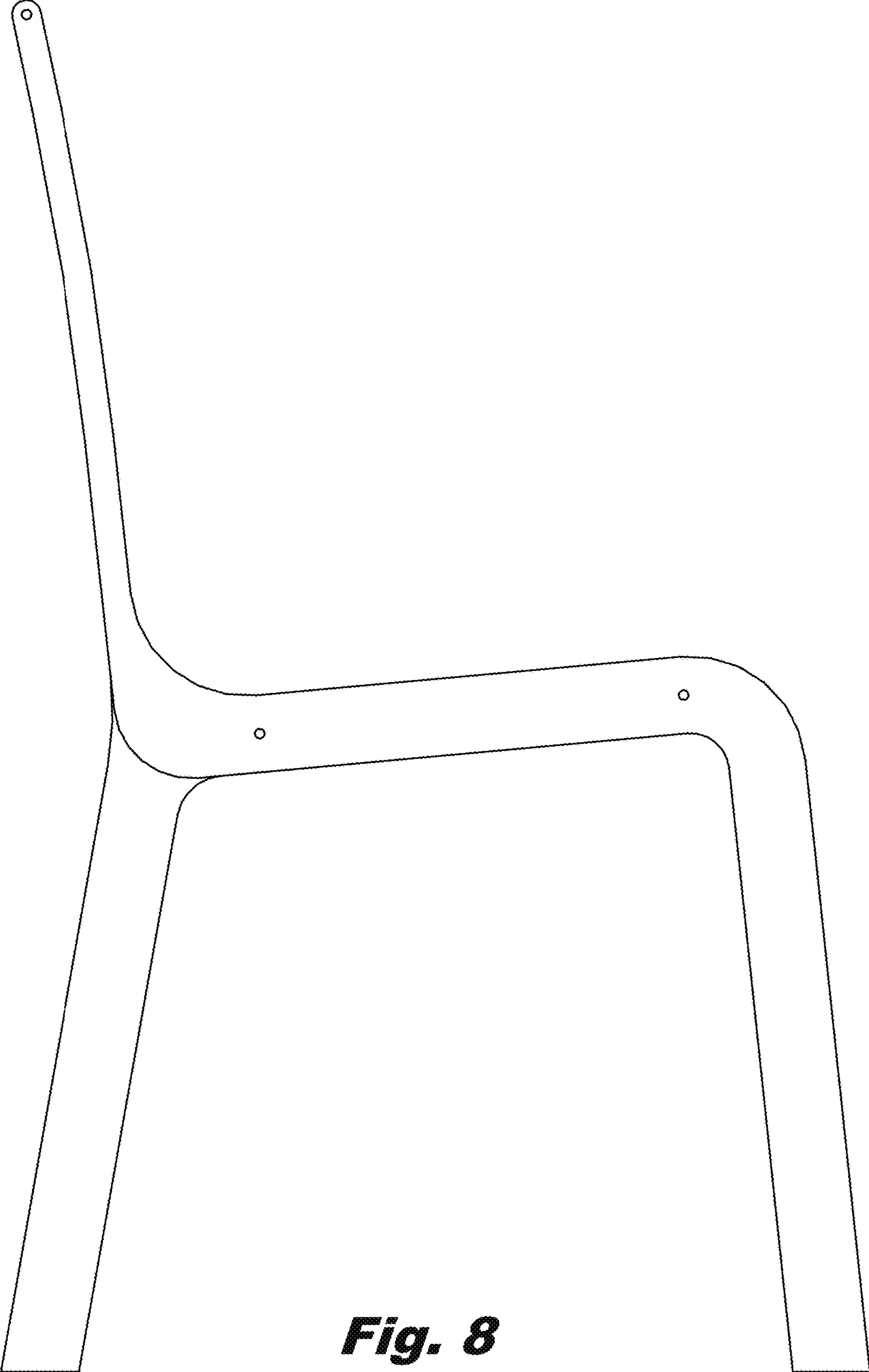


***Fig. 6***



**Fig. 7**





**Fig. 8**