



US00D818284S

(12) **United States Design Patent**
Jacoby

(10) **Patent No.:** **US D818,284 S**

(45) **Date of Patent:** **** May 22, 2018**

(54) **CHAIR**

(71) Applicant: **Eric Jacoby Design, Inc**, Salt Lake City, UT (US)

(72) Inventor: **Eric Robert Jacoby**, Salt Lake City, UT (US)

(73) Assignee: **ERIC JACOBY DESIGN, INC.**, Salt Lake City, UT (US)

(**) Term: **15 Years**

(21) Appl. No.: **29/603,739**

(22) Filed: **May 11, 2017**

(51) **LOC (11) Cl.** **06-01**

(52) **U.S. Cl.**
USPC **D6/375**

(58) **Field of Classification Search**
USPC D6/334-336, 370, 371, 372, 373, 374, D6/375, 379, 716, 716.1, 716.2, 716.3, D6/716.4

CPC A47C 3/04; A47C 3/12; A47C 4/02; A47C 4/03; A47C 5/12; A47C 7/16; A47C 7/54

See application file for complete search history.

(56) **References Cited**

U.S. PATENT DOCUMENTS

D183,009 S *	6/1958	Mackintosh	297/411.4
4,119,286 A *	10/1978	Barril	A47C 4/02 297/440.16
D320,510 S *	10/1991	Ivicevic	D6/334
D346,281 S *	4/1994	Vidal	D6/370
D347,741 S *	6/1994	Vidal	D6/370
D358,945 S *	6/1995	Vidal	D6/370

D362,557 S *	9/1995	Escalona	D6/375
D426,973 S *	6/2000	Risdall	D6/375
D443,769 S *	6/2001	Tiffany, III	D6/370
D448,191 S *	9/2001	Kane	D6/375
D448,192 S *	9/2001	Kane	D6/375
D453,637 S *	2/2002	Kane	D6/375
D453,638 S *	2/2002	Kane	D6/375
D463,149 S *	9/2002	Levy	D6/375
D543,043 S *	5/2007	Ng	D6/370
D606,329 S *	12/2009	Van Duysen	D6/375
D629,224 S *	12/2010	Oliveros	D6/375
D654,283 S *	2/2012	Oliveros	D6/375
D666,428 S *	9/2012	Morrison	D6/375
D670,928 S *	11/2012	Montel	D6/375
D788,482 S *	6/2017	Maxwell	D6/379
D803,597 S *	11/2017	Massaud	D6/375
D804,214 S *	12/2017	Bernardi	D6/379

* cited by examiner

Primary Examiner — Mimosa De

(74) *Attorney, Agent, or Firm* — Fabian VanCott; Brian J. Riddle

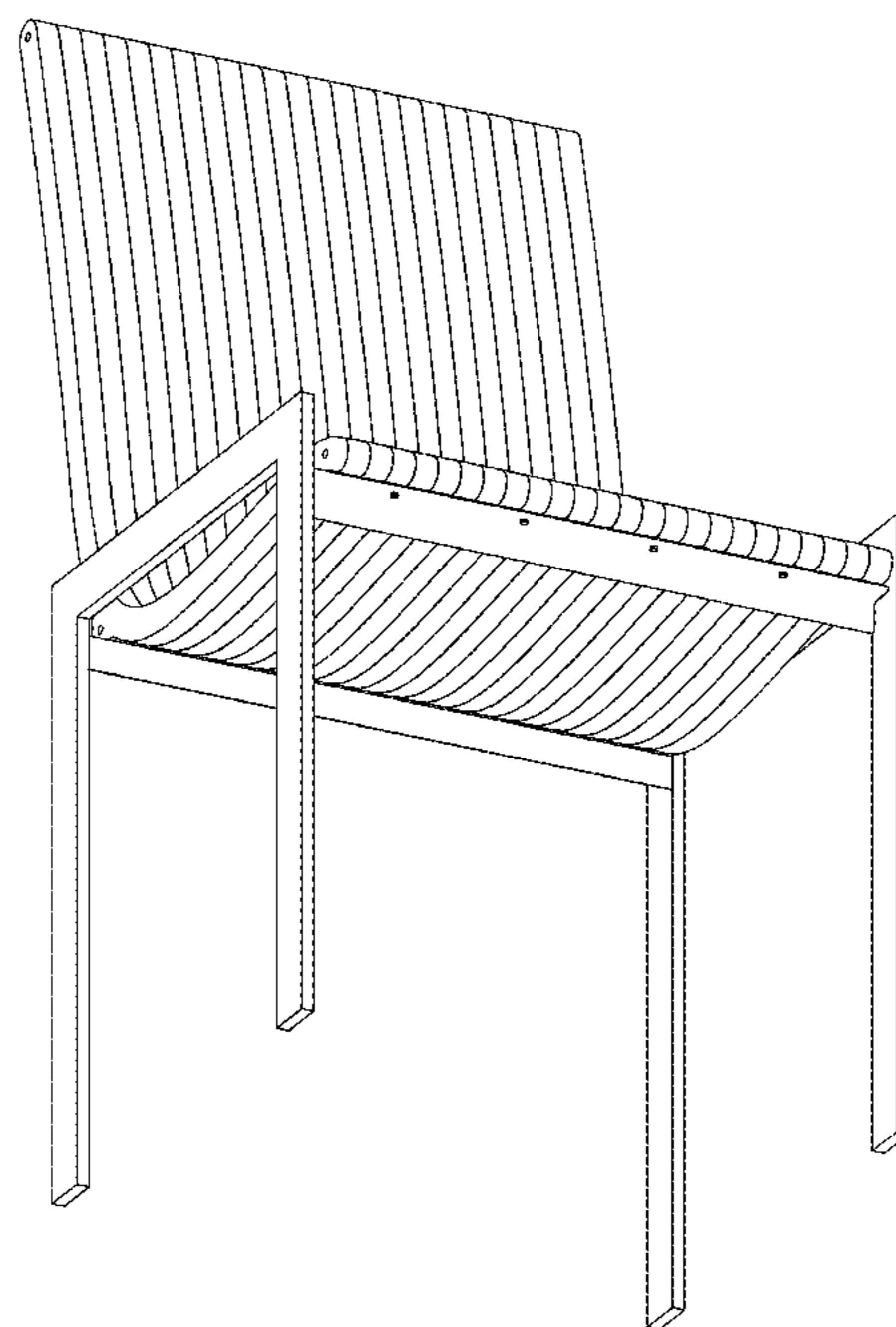
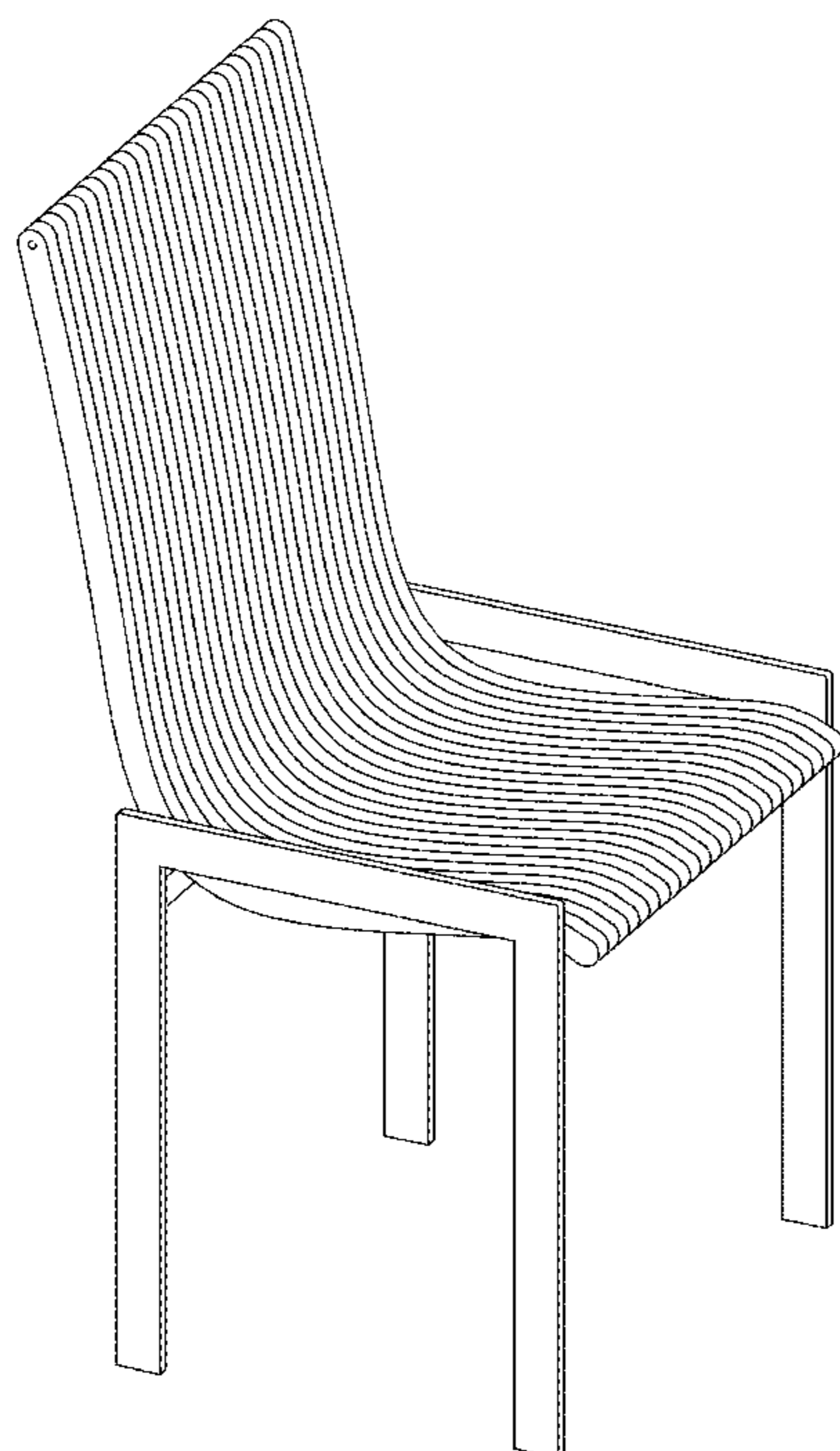
(57) **CLAIM**

The ornamental design for a chair, as shown.

DESCRIPTION

FIG. 1 is a top axonometric view of a chair showing the new design;
 FIG. 2 is a bottom axonometric view of the chair;
 FIG. 3 is a top plan view of the chair;
 FIG. 4 is a bottom plan view of the chair;
 FIG. 5 is a front elevation view of the chair;
 FIG. 6 is a rear elevation view of the chair;
 FIG. 7 is a right-side elevation view of the chair; and,
 FIG. 8 is a left-side elevation view of the chair.

1 Claim, 8 Drawing Sheets



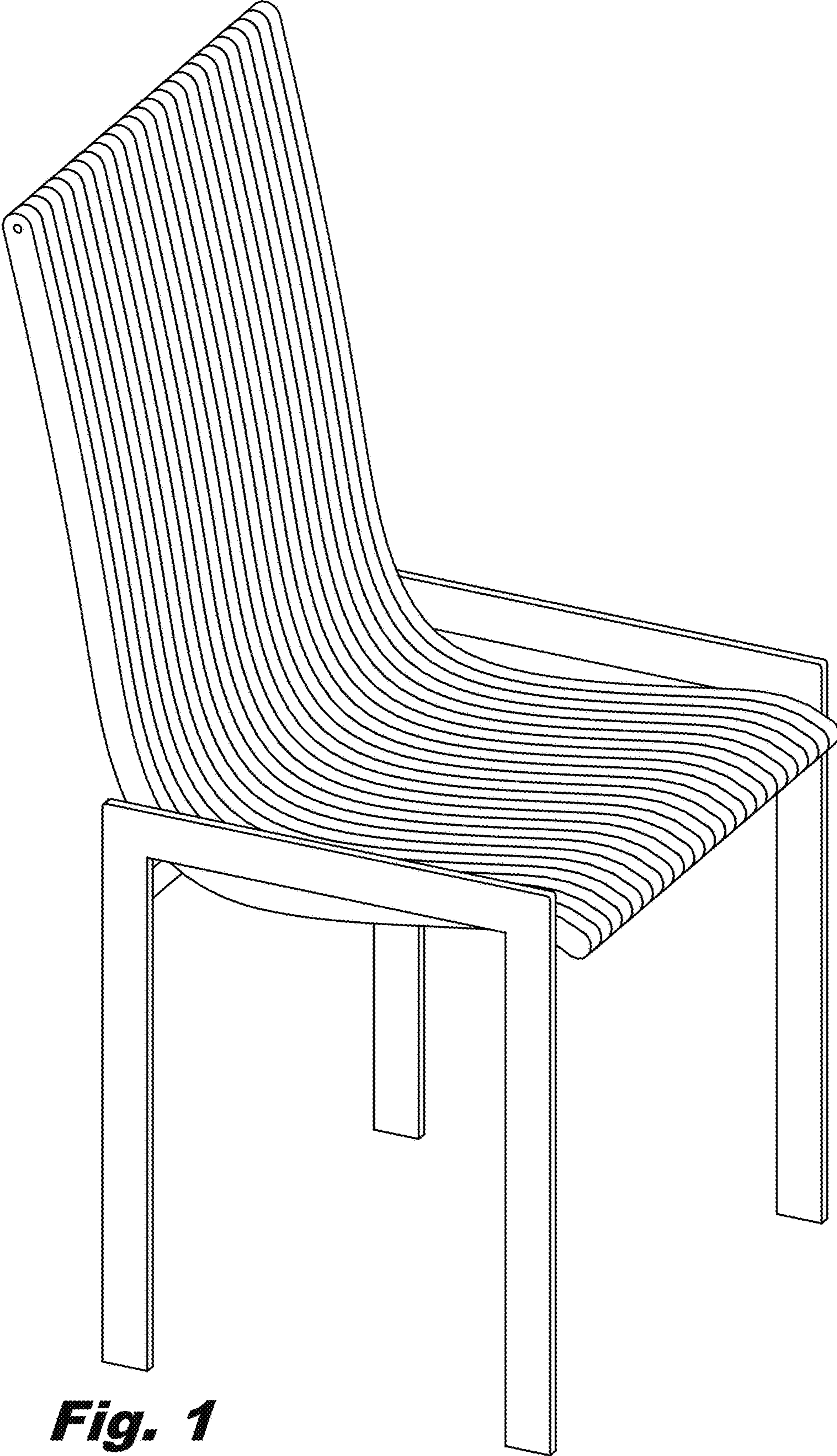


Fig. 1

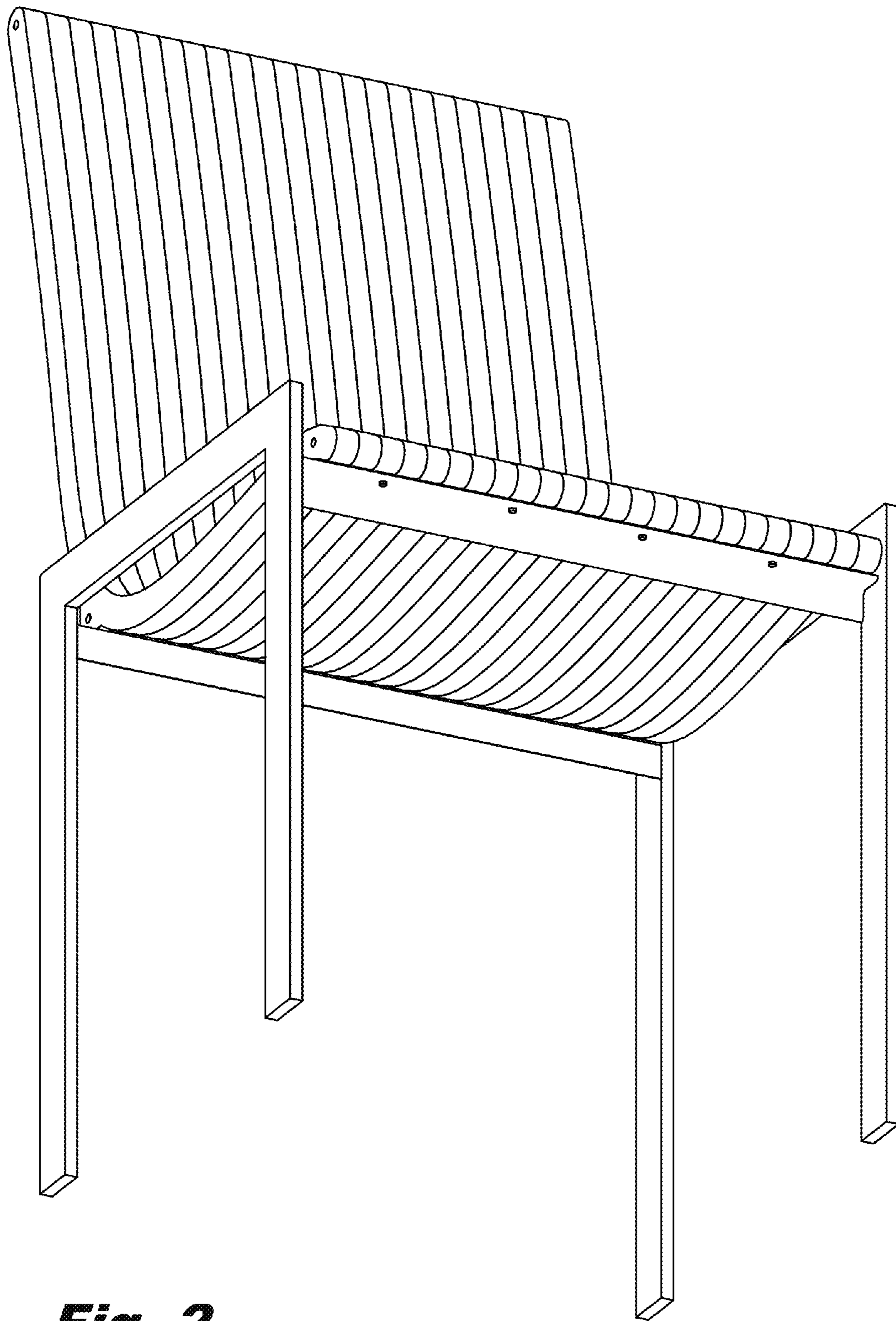


Fig. 2

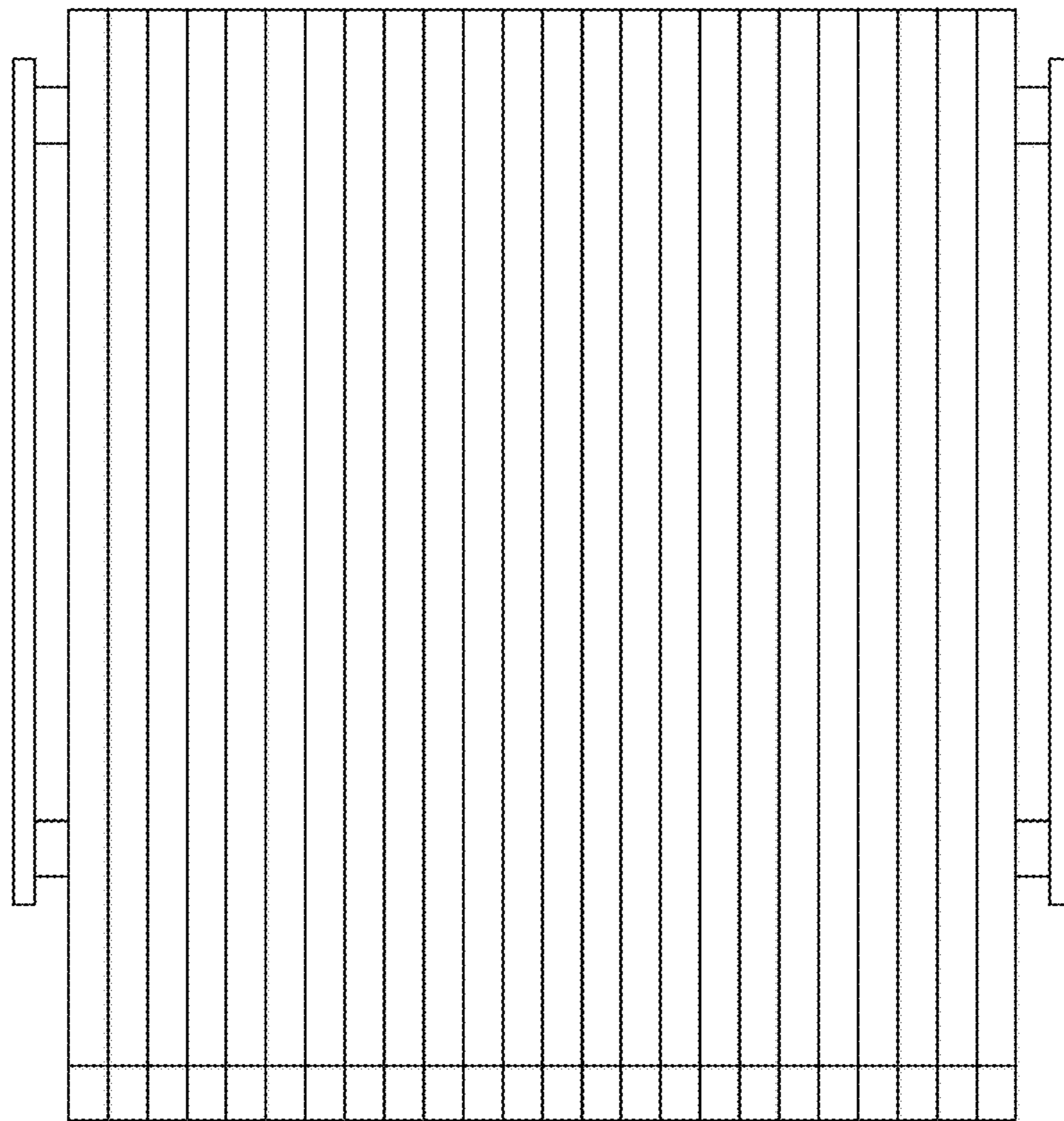


Fig. 3

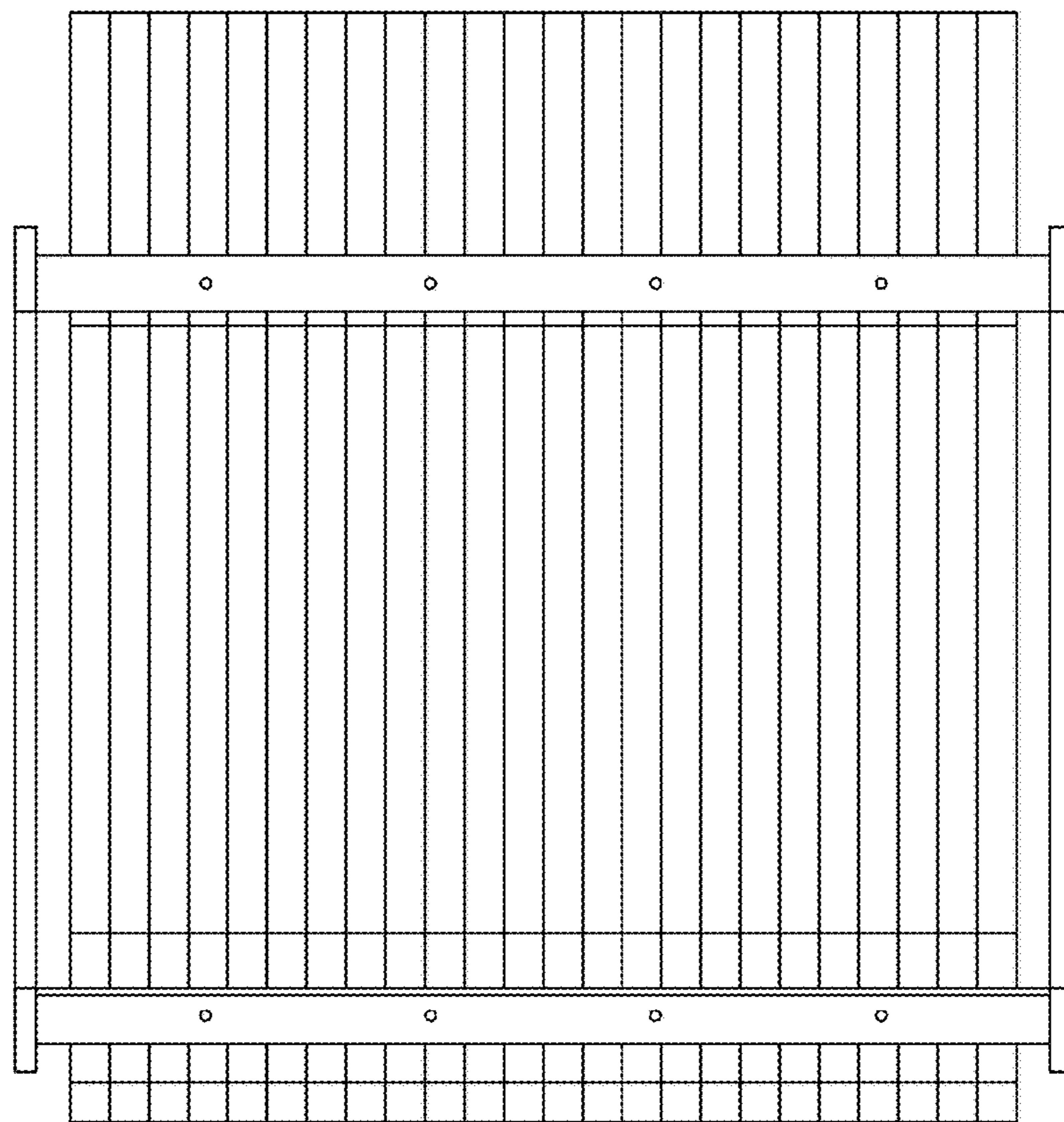


Fig. 4

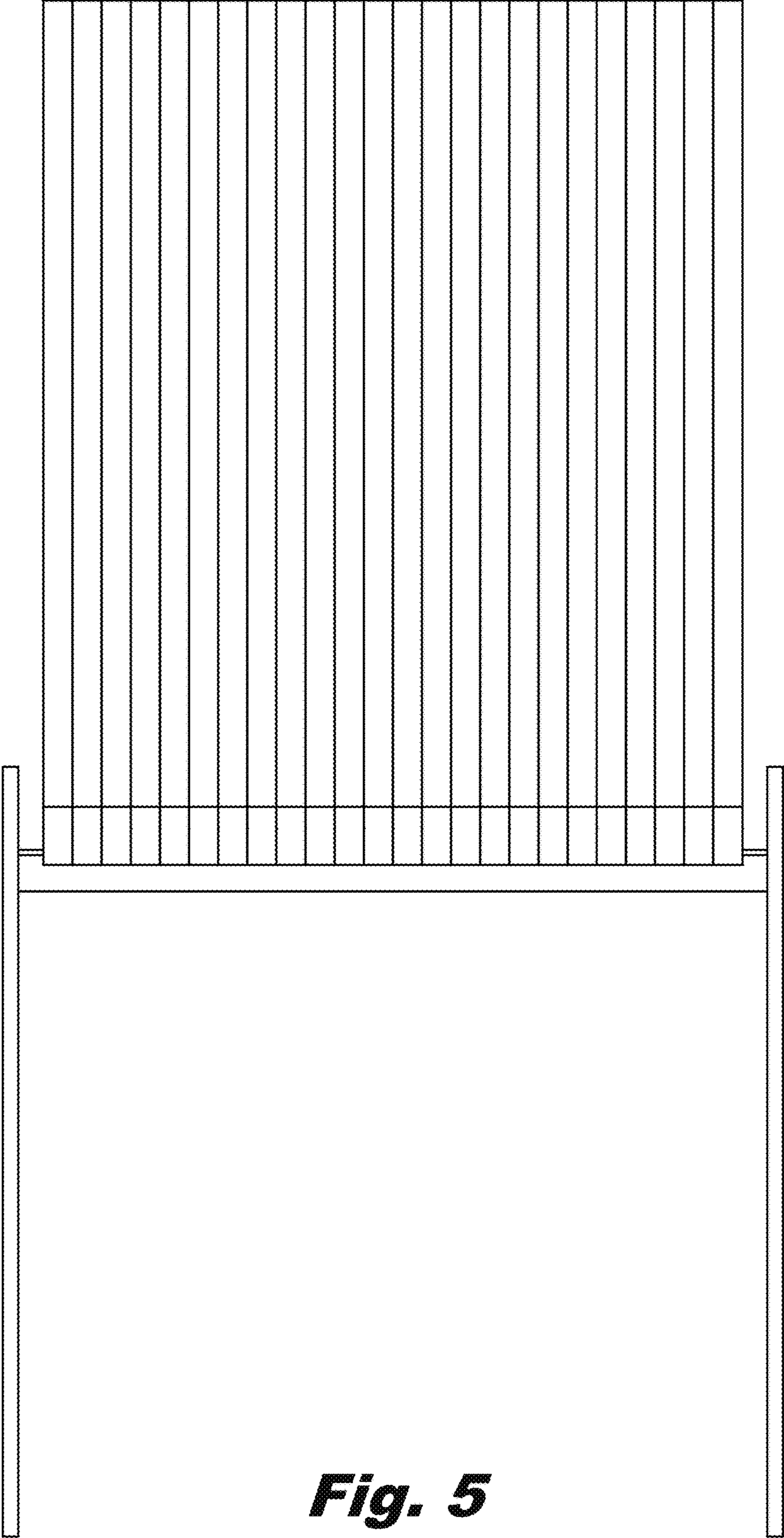


Fig. 5

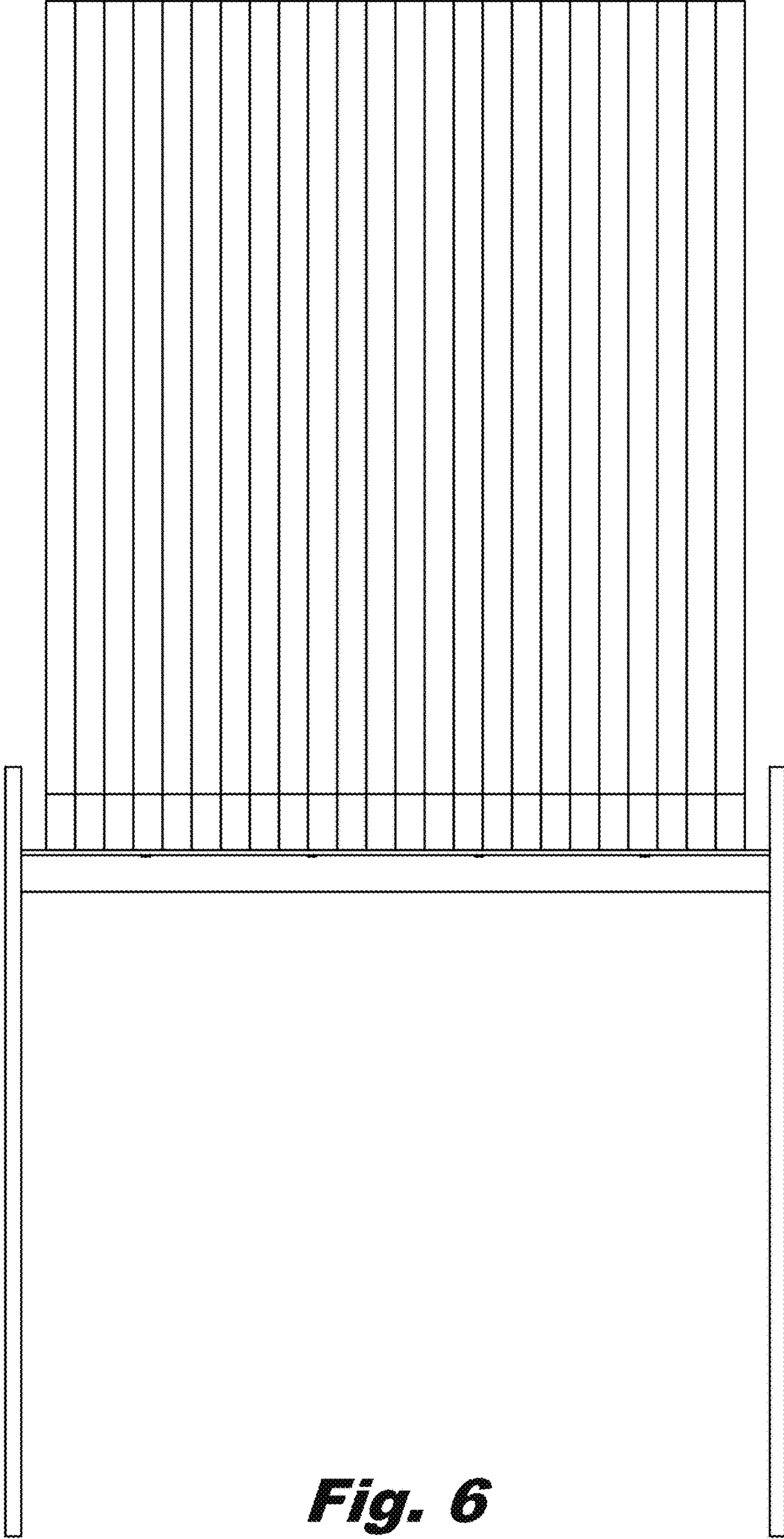


Fig. 6

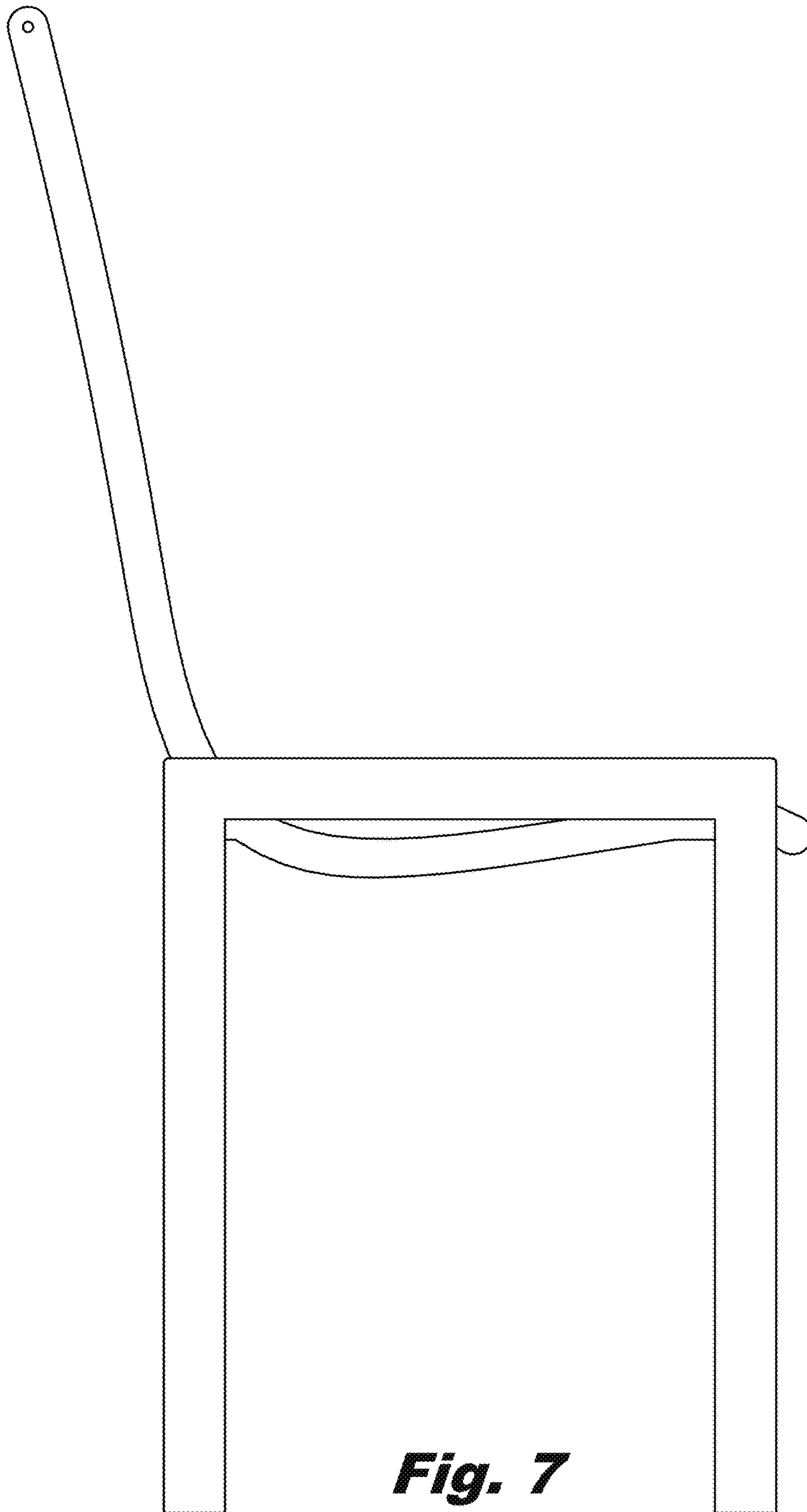


Fig. 7

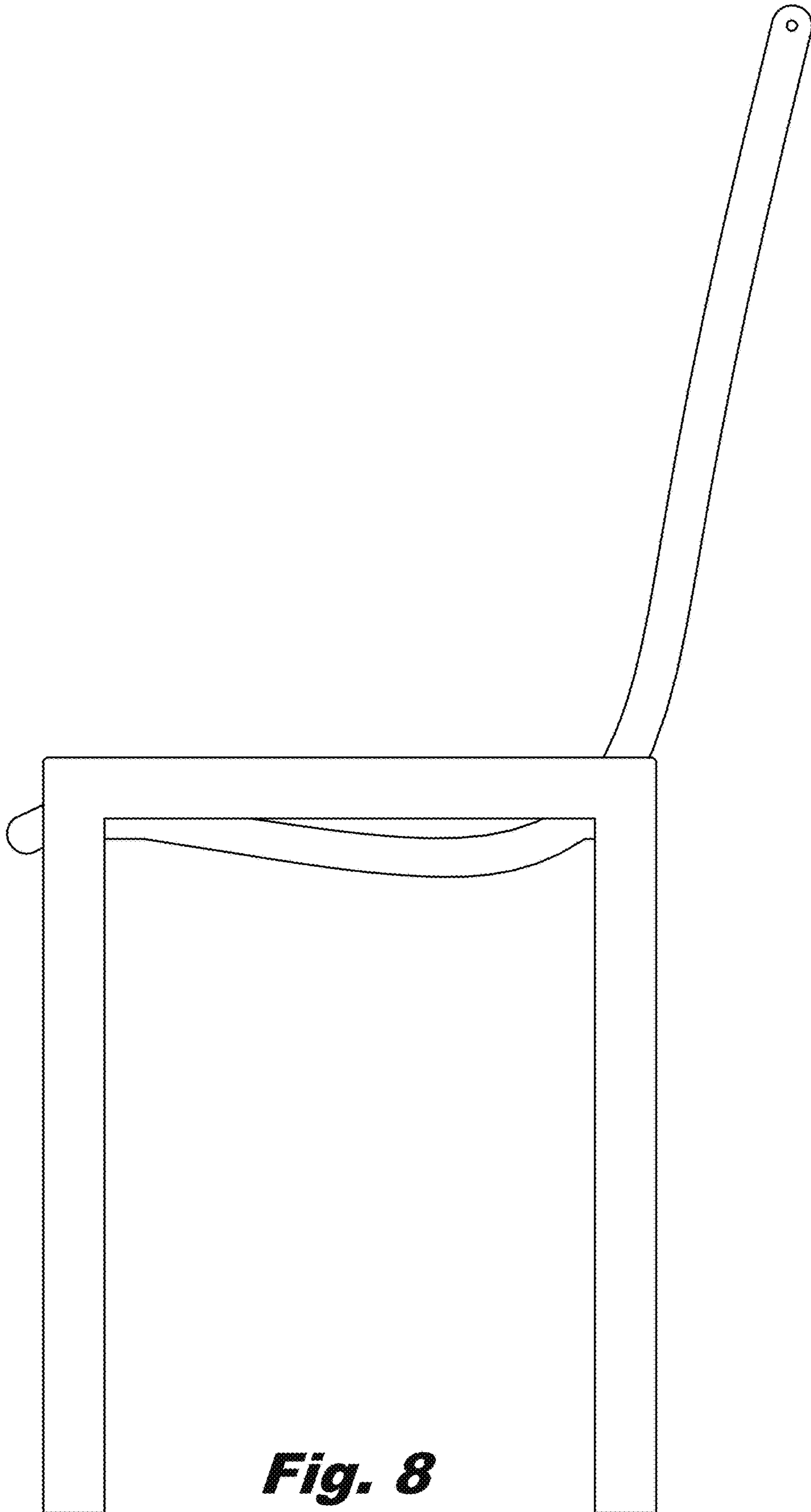


Fig. 8