



US00D818282S

(12) **United States Design Patent**
Li

(10) **Patent No.:** **US D818,282 S**
(45) **Date of Patent:** **** May 22, 2018**

(54) **SOFA CHAIR**

(71) Applicant: **Golden Eagle Outdoor Furniture Co., Ltd.**, Dongguan, Guangdong (CN)

(72) Inventor: **Jun Li**, Guangdong (CN)

(73) Assignee: **Golden Eagle Outdoor Furniture Co., Ltd.** (CN)

(**) Term: **15 Years**

(21) Appl. No.: **29/606,632**

(22) Filed: **Jun. 6, 2017**

(51) **LOC (11) Cl.** **06-01**

(52) **U.S. Cl.**
USPC **D6/371**

(58) **Field of Classification Search**
USPC D6/334-336, 360, 371, 373, 374, 381,
D6/716, 716.1, 716.3, 716.4
See application file for complete search history.

(56) **References Cited**

U.S. PATENT DOCUMENTS

- 1,325,630 A * 12/1919 Fair A47C 1/023
297/107
- D173,625 S * 12/1954 Maurer D6/360
- D173,706 S * 12/1954 Maurer D6/360
- D222,451 S * 10/1971 Lamb D6/367
- 3,698,766 A * 10/1972 Borenstein A47C 4/028
297/450.1

- D231,164 S * 4/1974 Kellum D6/367
- D231,878 S * 6/1974 Kellum D6/334
- 4,188,066 A * 2/1980 Terenzoni A47C 4/028
297/440.23
- D442,375 S * 5/2001 Stammberger D6/335
- D532,984 S * 12/2006 Bennett D6/367
- D541,064 S * 4/2007 Miller D6/367
- D551,869 S * 10/2007 Zambelli D6/367
- D572,916 S * 7/2008 Galardo D6/334
- D741,613 S * 10/2015 George, II D6/371
- D761,033 S * 7/2016 George, II D6/371
- D790,245 S * 6/2017 George, II D6/371
- D806,427 S * 1/2018 George, II D6/371

* cited by examiner

Primary Examiner — Mimosa De

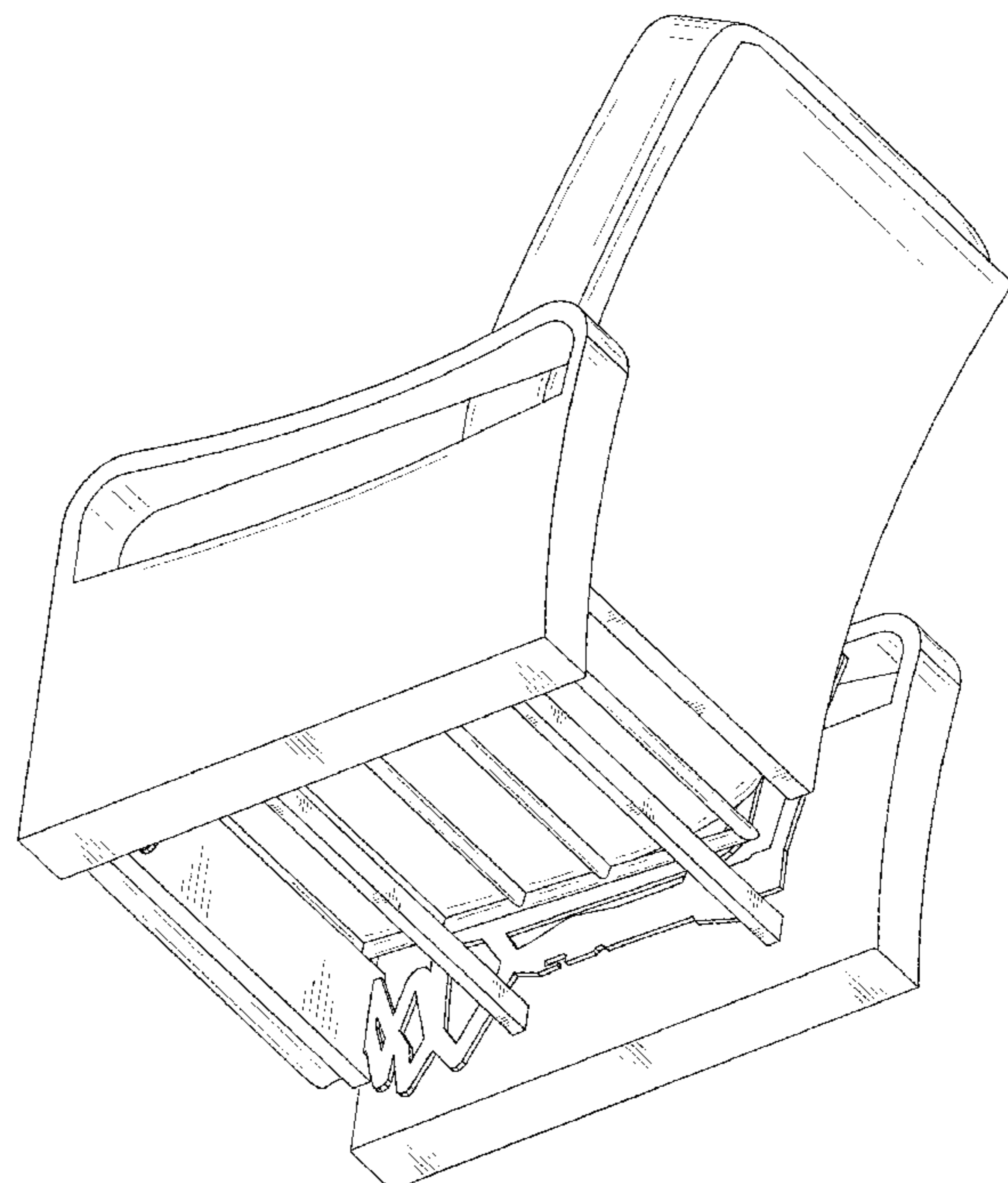
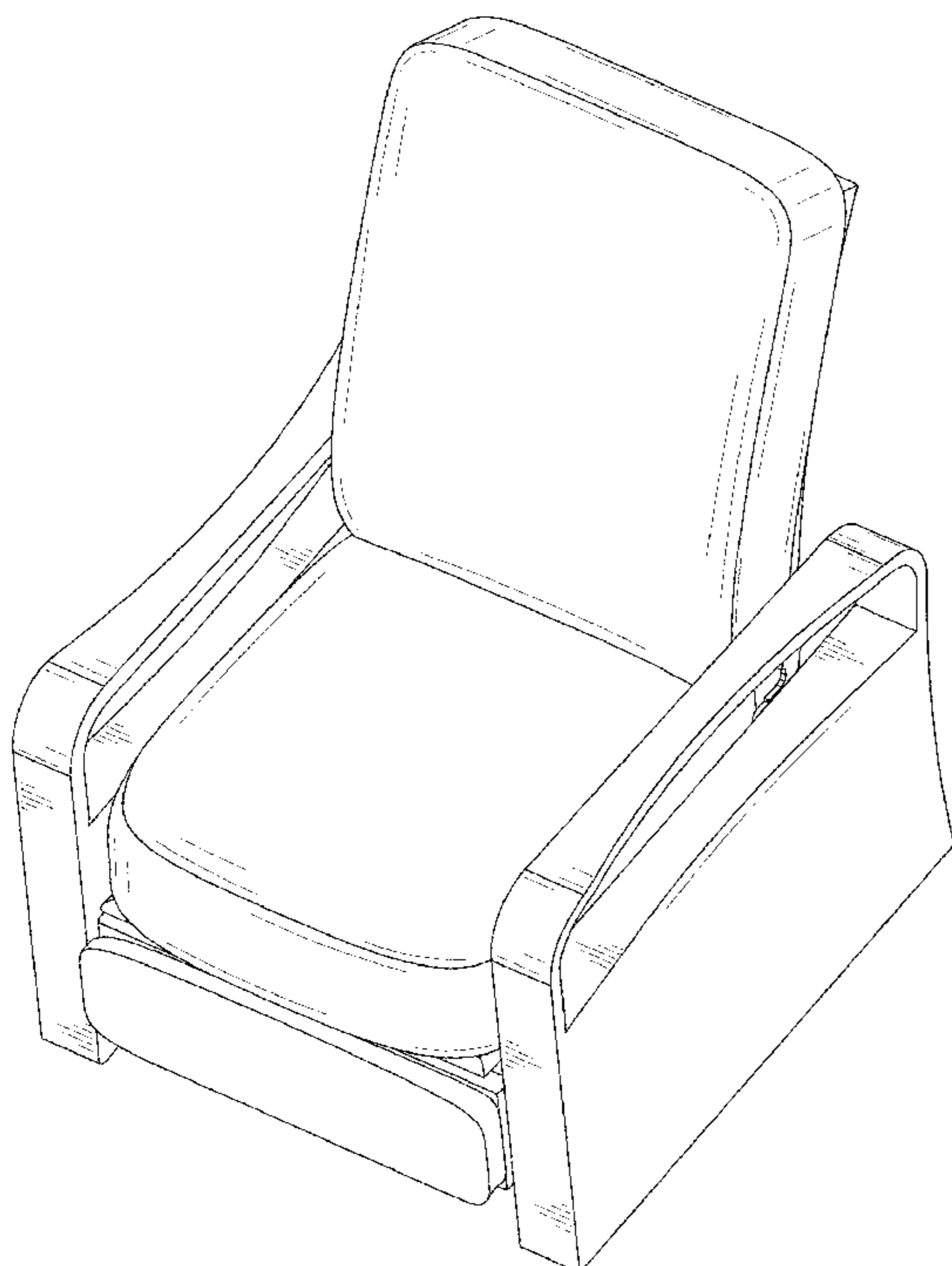
(57) **CLAIM**

The ornamental design for a sofa chair, as shown and described.

DESCRIPTION

FIG. 1 is a front view of the sofa chair showing our new design;
 FIG. 2 is a back view thereof;
 FIG. 3 is a left side view thereof;
 FIG. 4 is a right side view thereof;
 FIG. 5 is a top view thereof;
 FIG. 6 is a bottom view thereof;
 FIG. 7 is a top perspective view thereof;
 FIG. 8 is a bottom perspective view thereof; and,
 FIG. 9 is another bottom perspective view thereof.

1 Claim, 9 Drawing Sheets



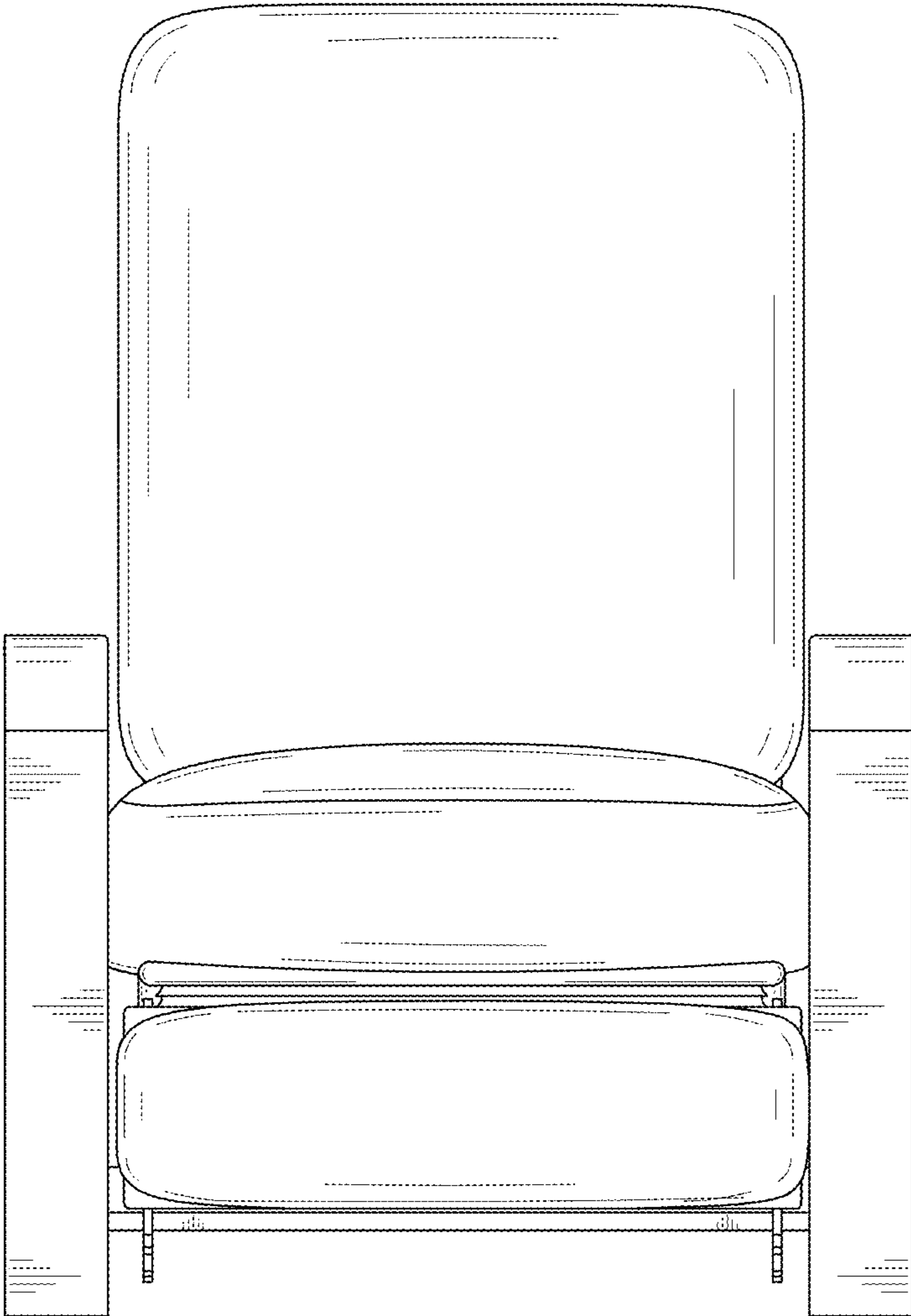


FIG. 1

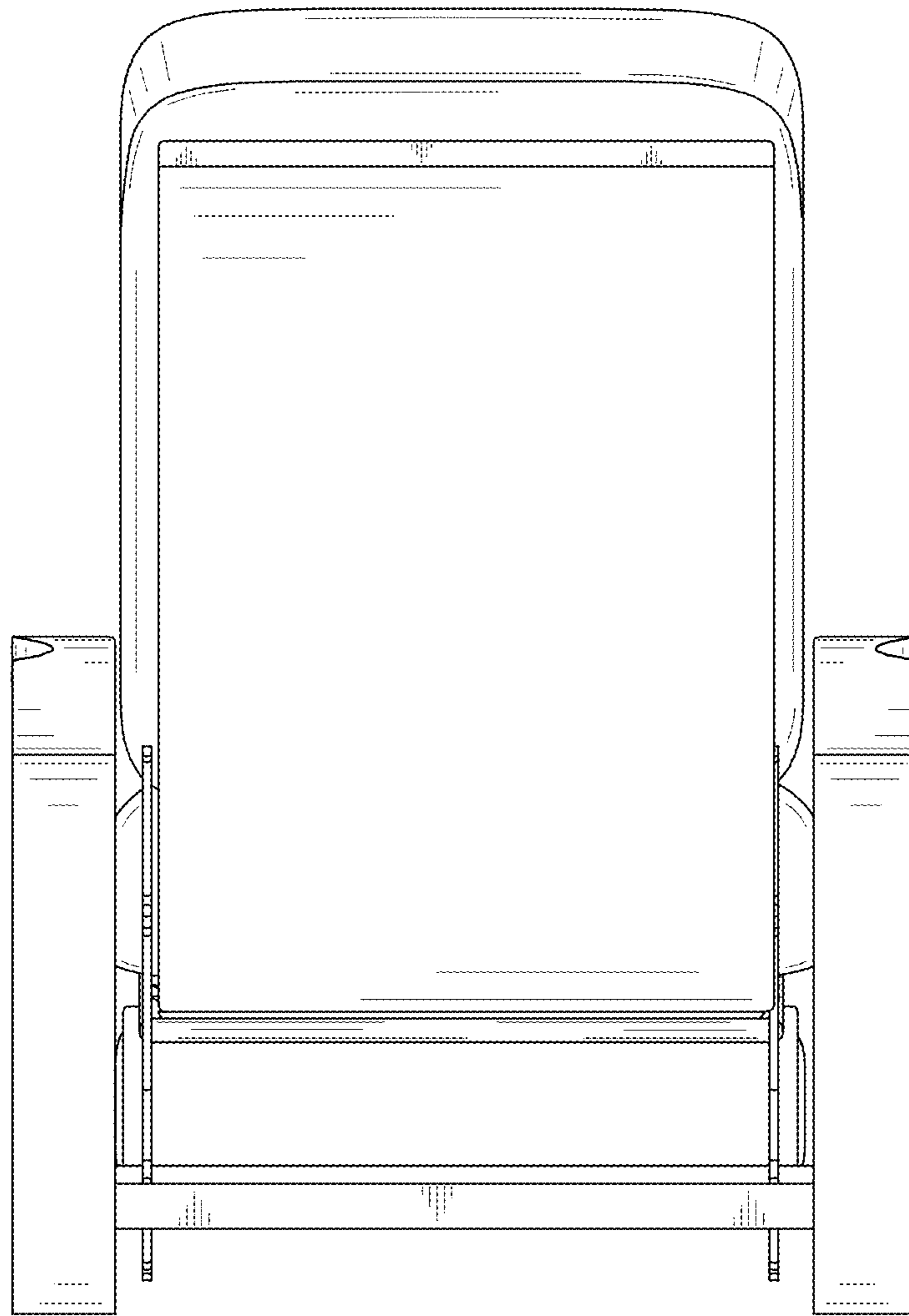


FIG.2

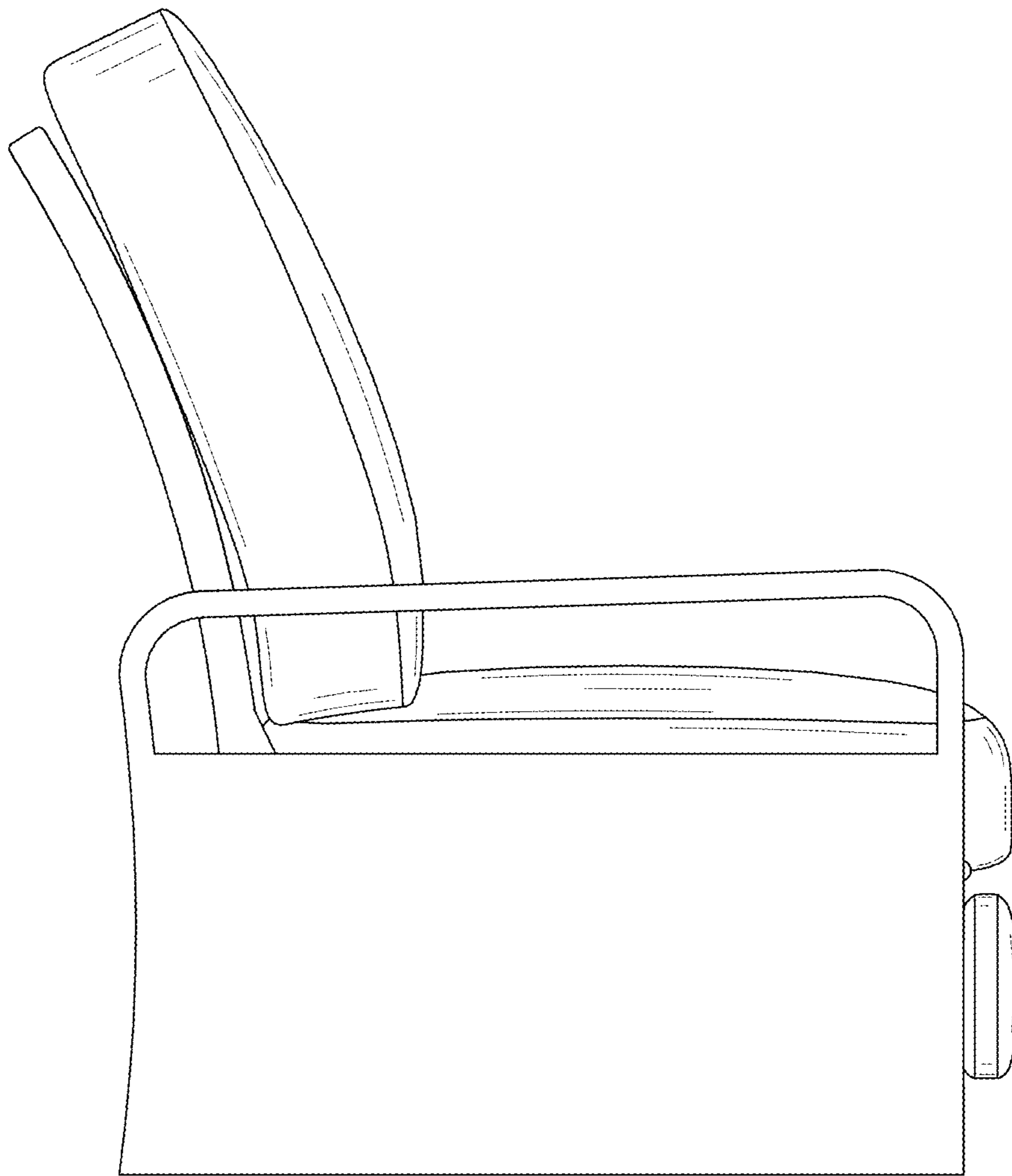


FIG.3

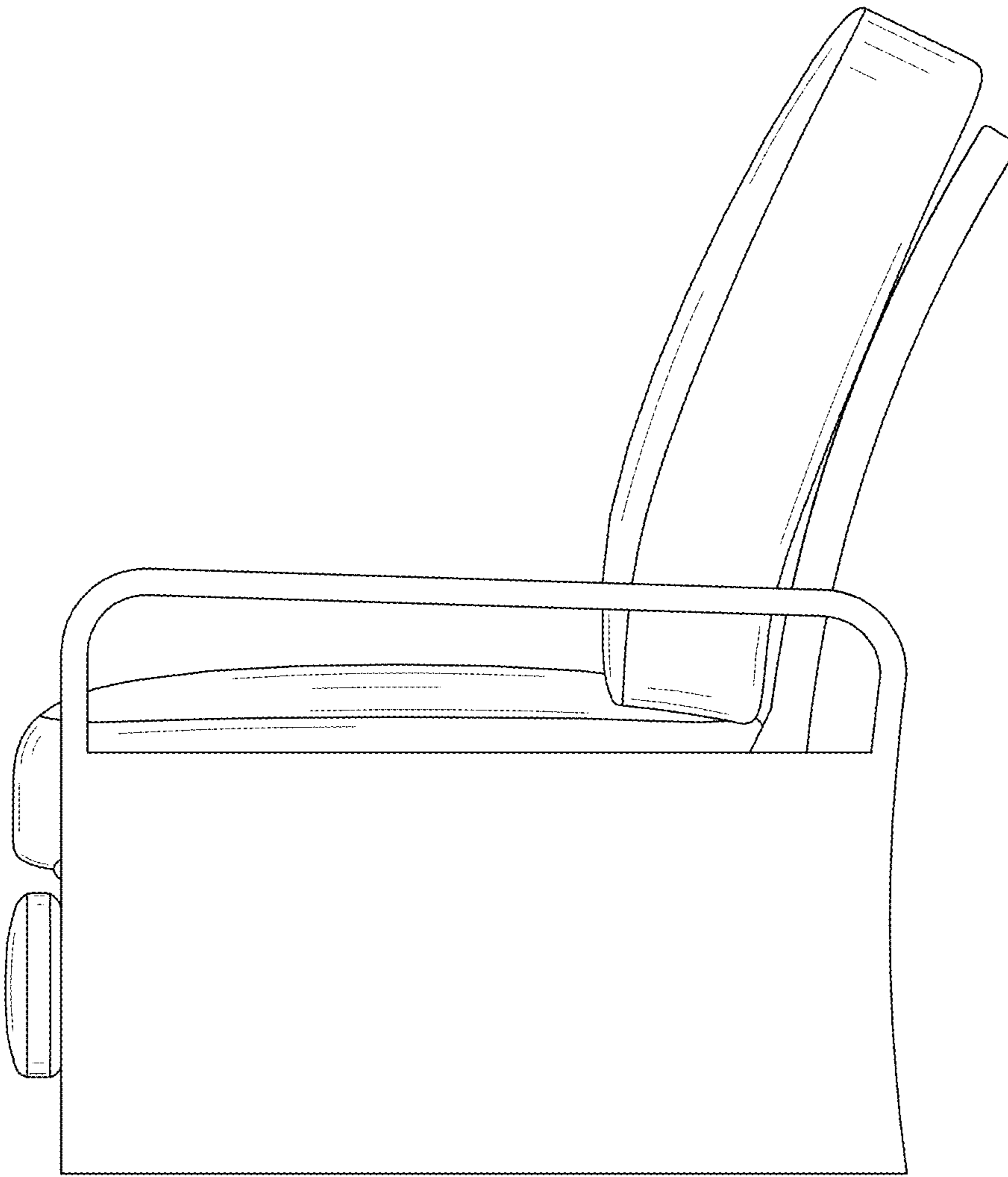


FIG.4

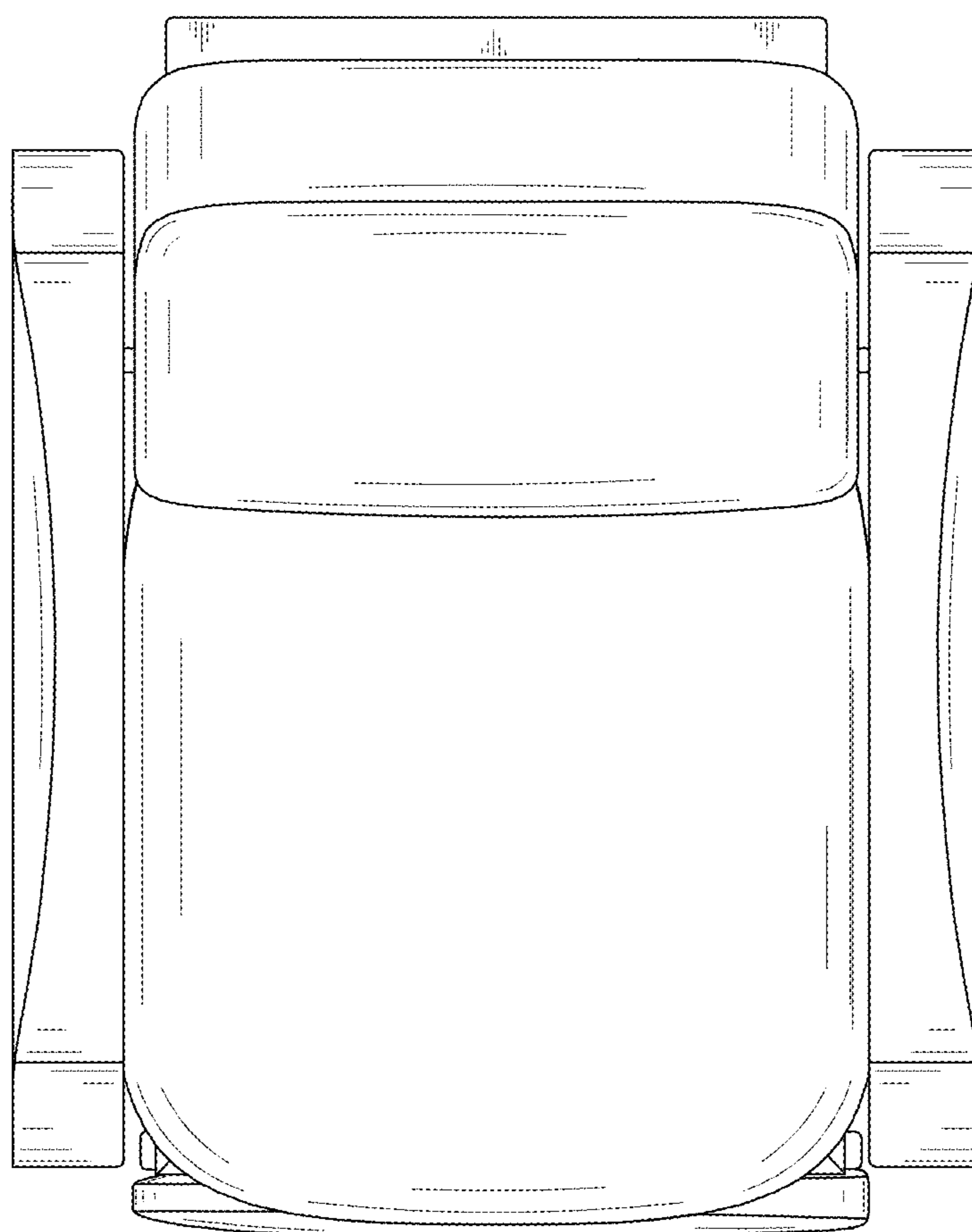


FIG.5

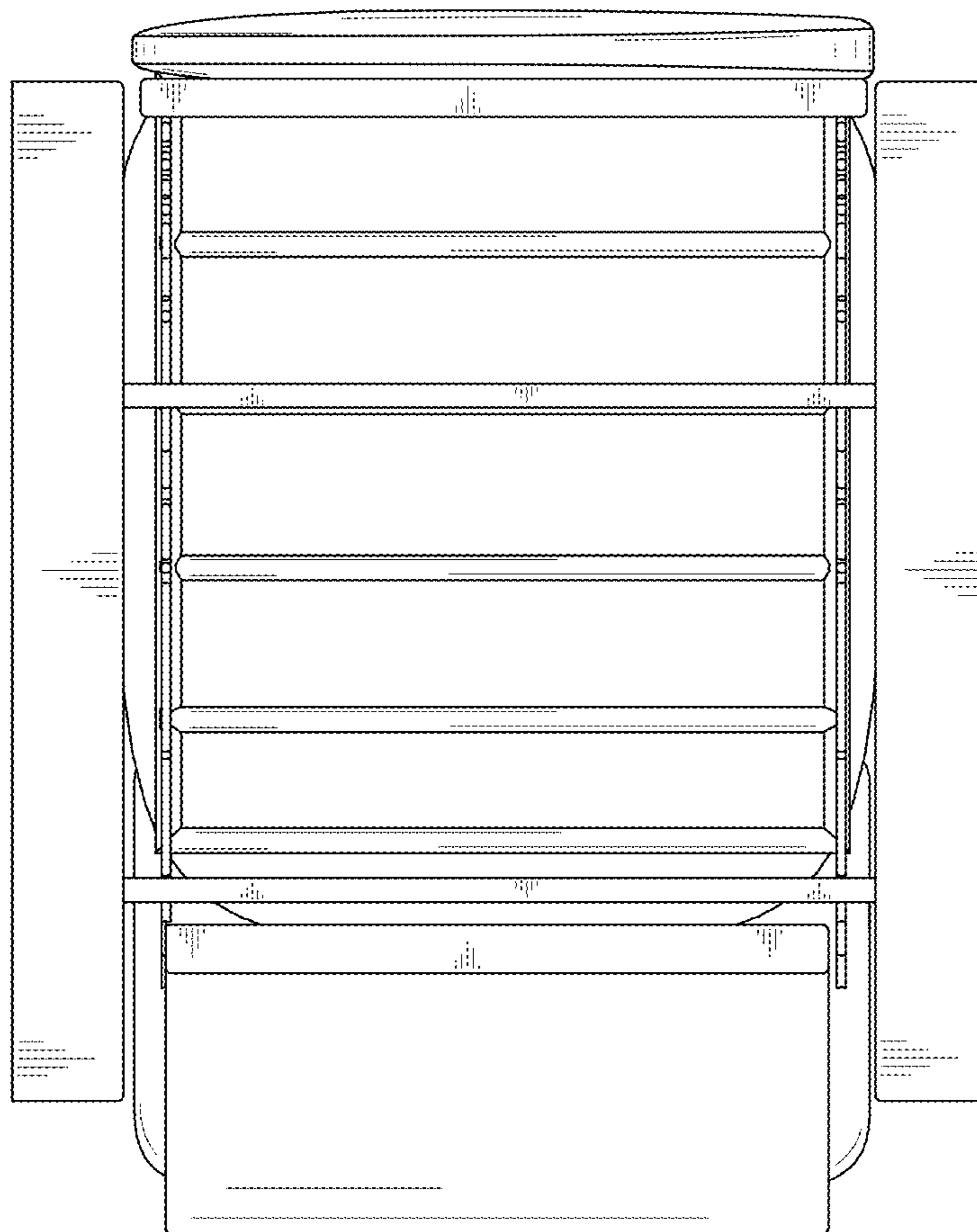


FIG.6

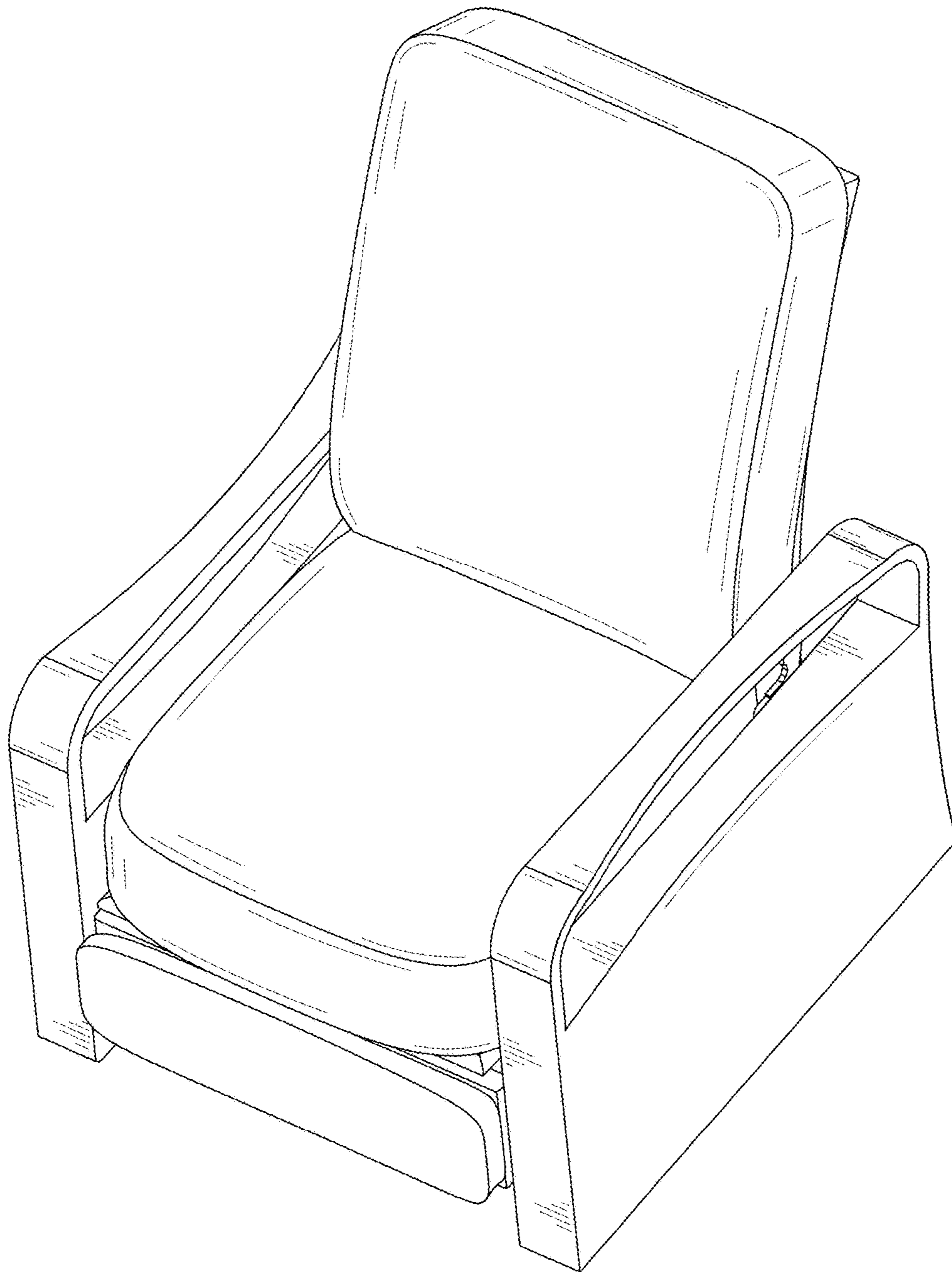


FIG. 7

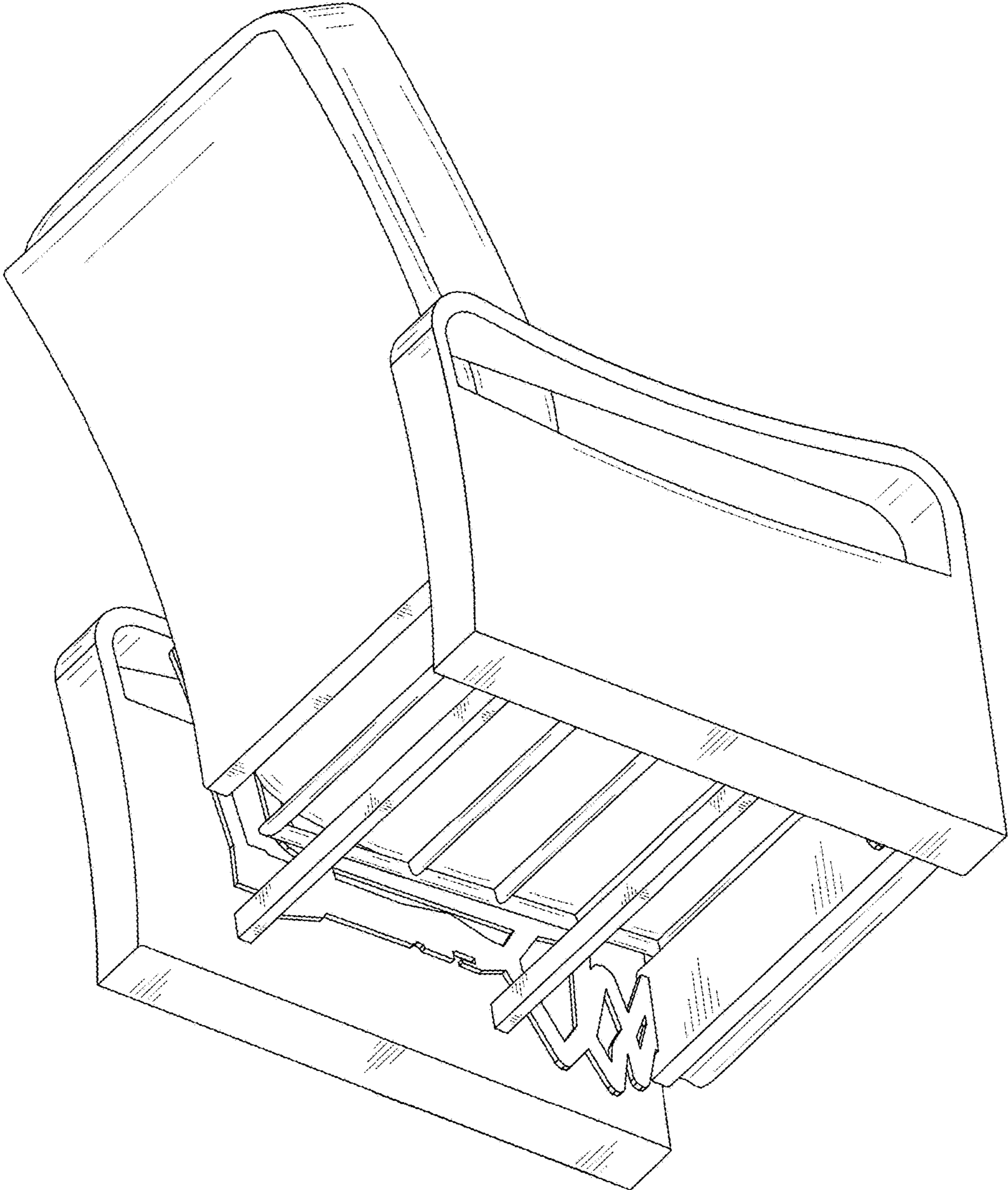


FIG.8

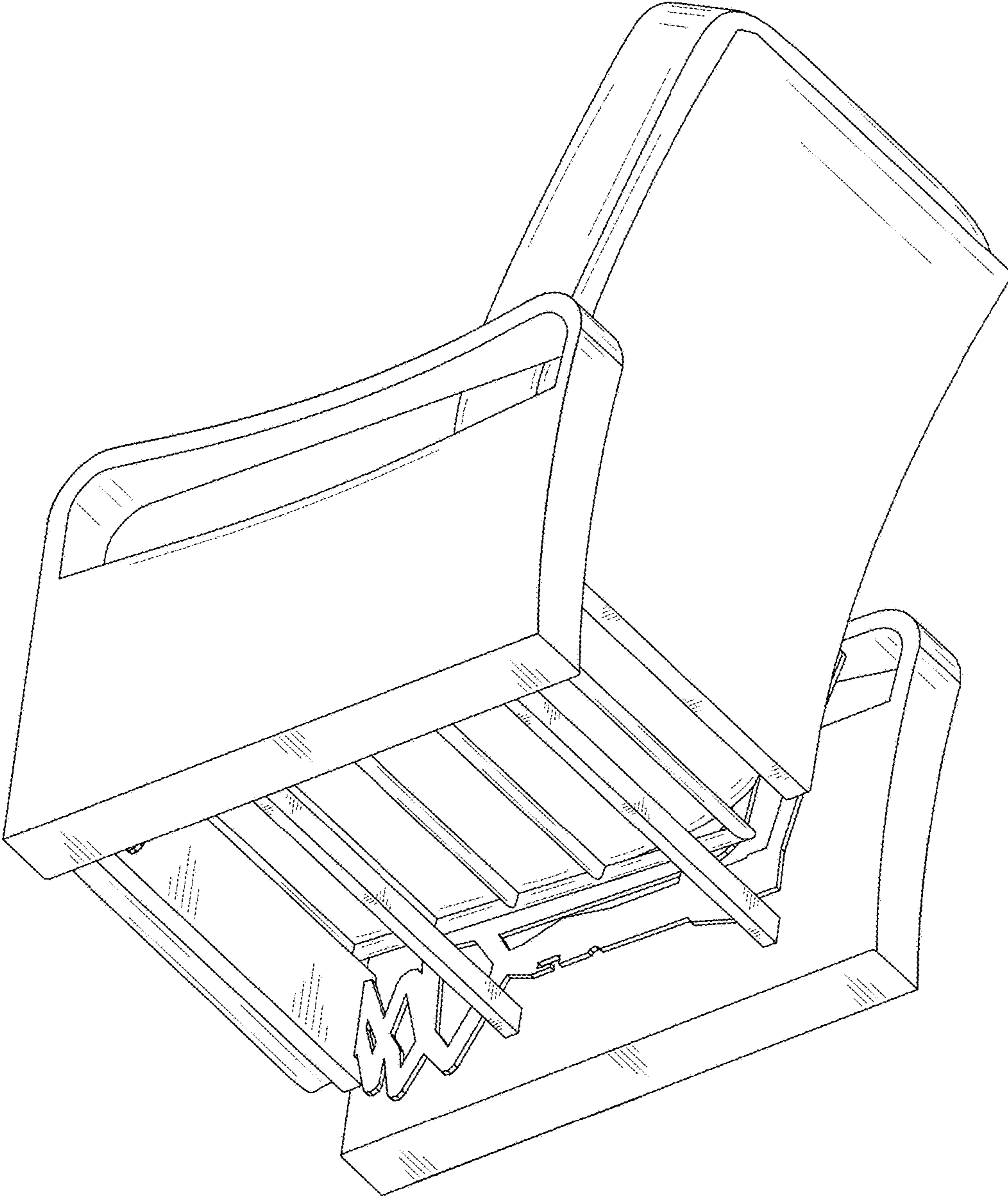


FIG. 9