



US00D818281S

(12) **United States Design Patent**  
**Pengelly**

(10) **Patent No.:** **US D818,281 S**

(45) **Date of Patent:** **\*\* May 22, 2018**

(54) **BENCH SEAT**

(71) Applicant: **Boss Design Limited**, West Midlands  
(GB)

(72) Inventor: **Simon Pengelly**, West Midlands (GB)

(73) Assignee: **BOSS DESIGN LIMITED**, West  
Midlands (GB)

(\*\*) Term: **15 Years**

(21) Appl. No.: **29/599,379**

(22) Filed: **Apr. 3, 2017**

(51) **LOC (11) Cl.** ..... **06-01**

(52) **U.S. Cl.**  
USPC ..... **D6/371**

(58) **Field of Classification Search**  
USPC ..... D6/334-336, 364, 371, 373, 374, 378,  
D6/381, 716, 716.1, 716.4  
CPC .. A47C 7/021; A47C 7/18; A47C 7/24; A47C  
15/002; A47C 17/00; A47C 17/02  
See application file for complete search history.

(56) **References Cited**

**U.S. PATENT DOCUMENTS**

D262,164 S \* 12/1981 Aronowitz ..... D6/364  
D704,468 S \* 5/2014 Gaschy ..... D6/371

D727,049 S \* 4/2015 Xiong ..... D6/371  
D727,650 S \* 4/2015 Lee ..... D6/378  
D739,662 S \* 9/2015 Webb ..... D6/334  
D774,321 S \* 12/2016 Webb ..... D6/381

\* cited by examiner

*Primary Examiner* — Mimoso De

(74) *Attorney, Agent, or Firm* — Levenfeld Pearlstein,  
LLC

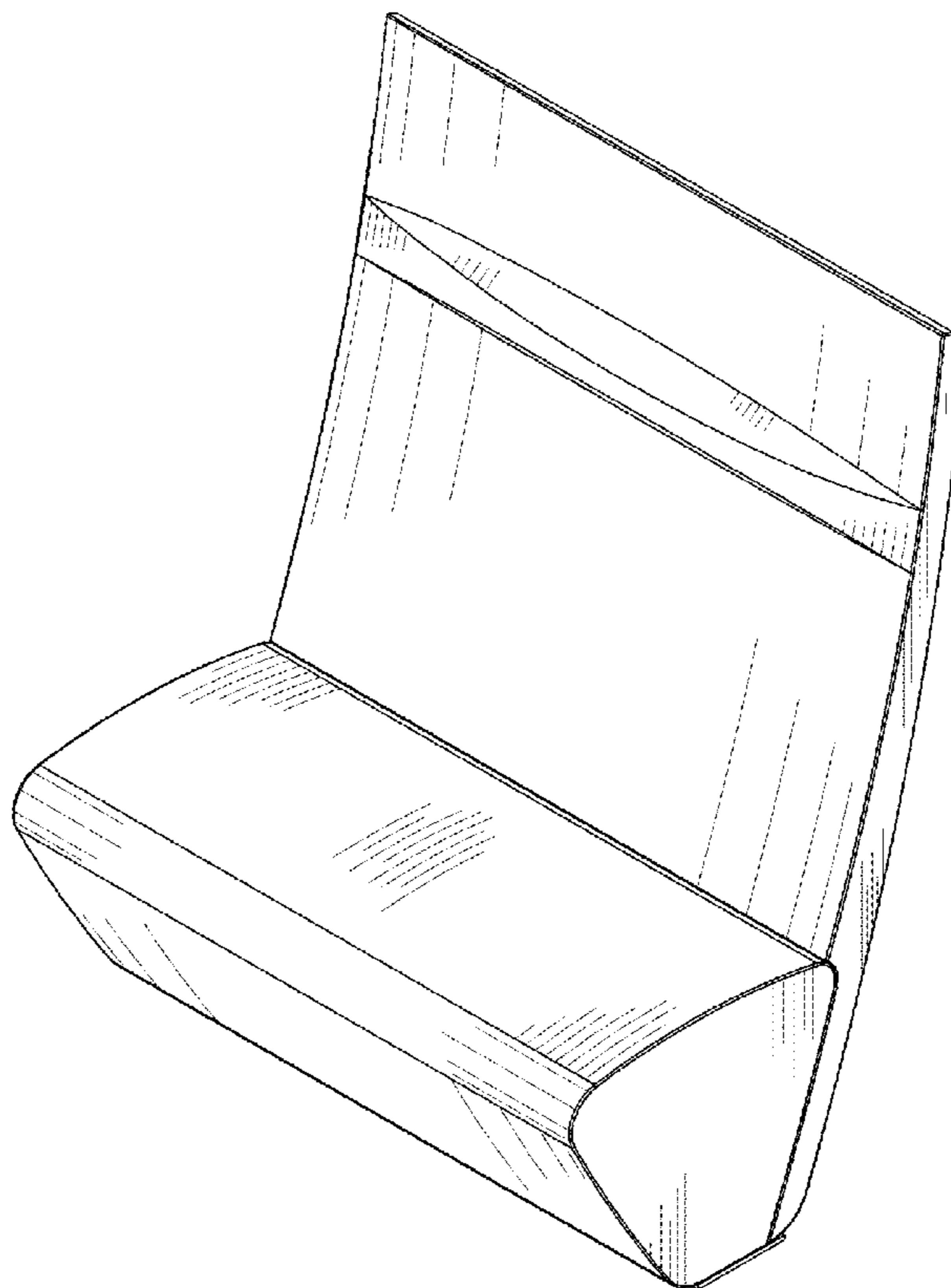
(57) **CLAIM**

The ornamental design for a bench seat, as shown and  
described.

**DESCRIPTION**

FIG. 1 is a front, right hand side perspective view of a bench  
seat embodying the principles of my new design;  
FIG. 2 is a front view thereof;  
FIG. 3 is a rear view thereof;  
FIG. 4 is a top view thereof;  
FIG. 5 is a bottom view thereof;  
FIG. 6 is a side view thereof as seen from the left-hand side  
of FIG. 2; and,  
FIG. 7 is a side view thereof as seen from the right-hand side  
of FIG. 2.

**1 Claim, 7 Drawing Sheets**



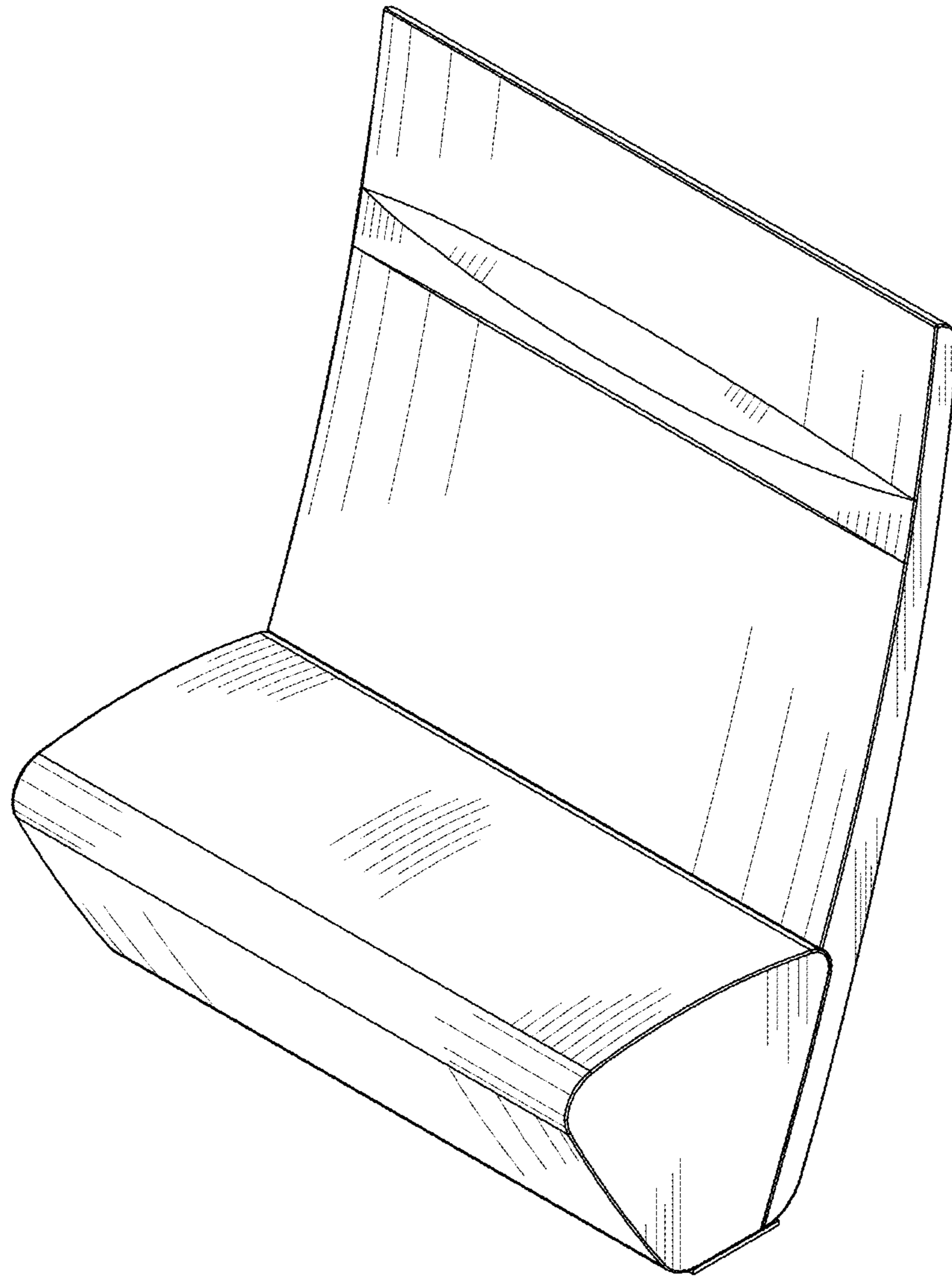


FIG. 1

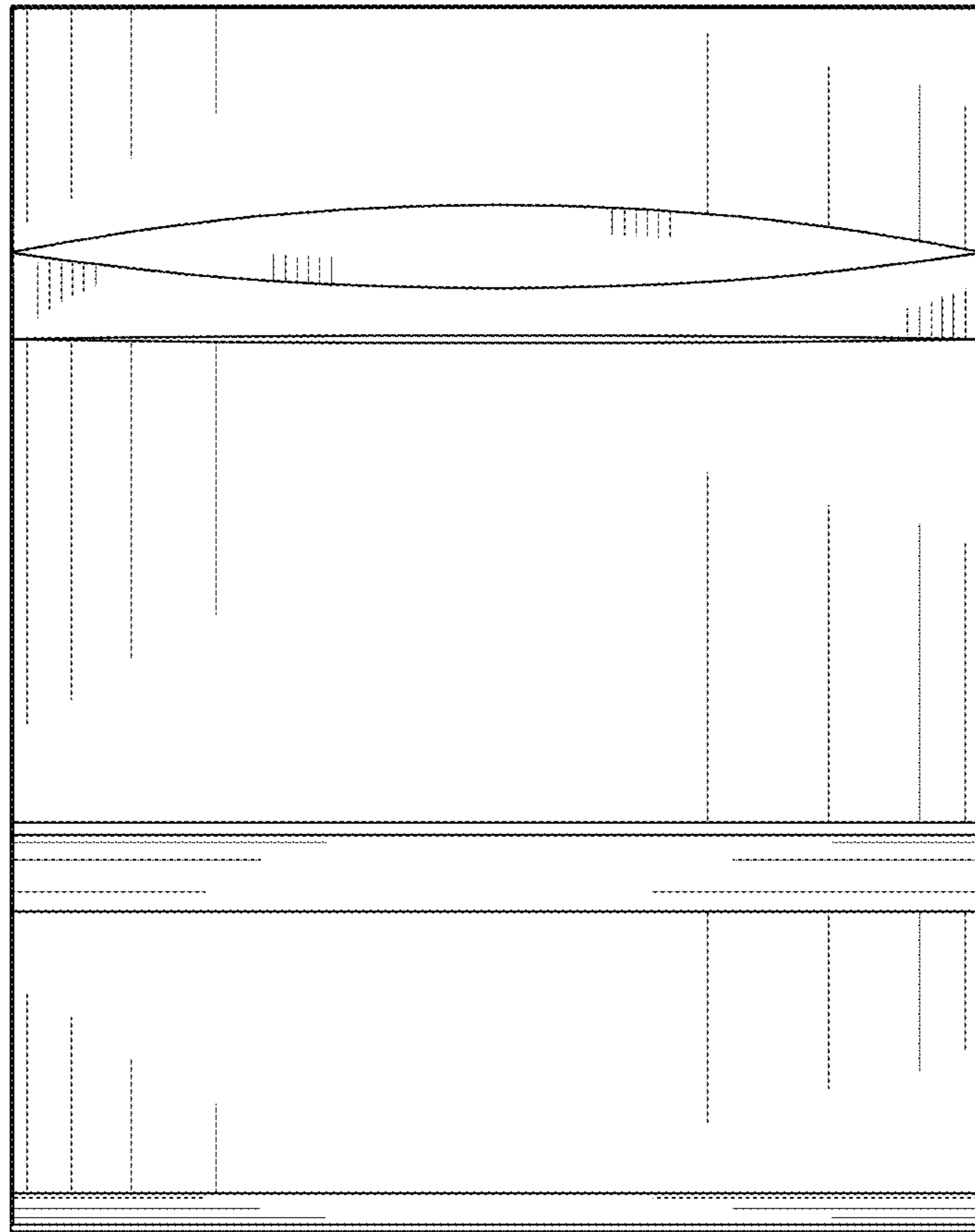


FIG. 2

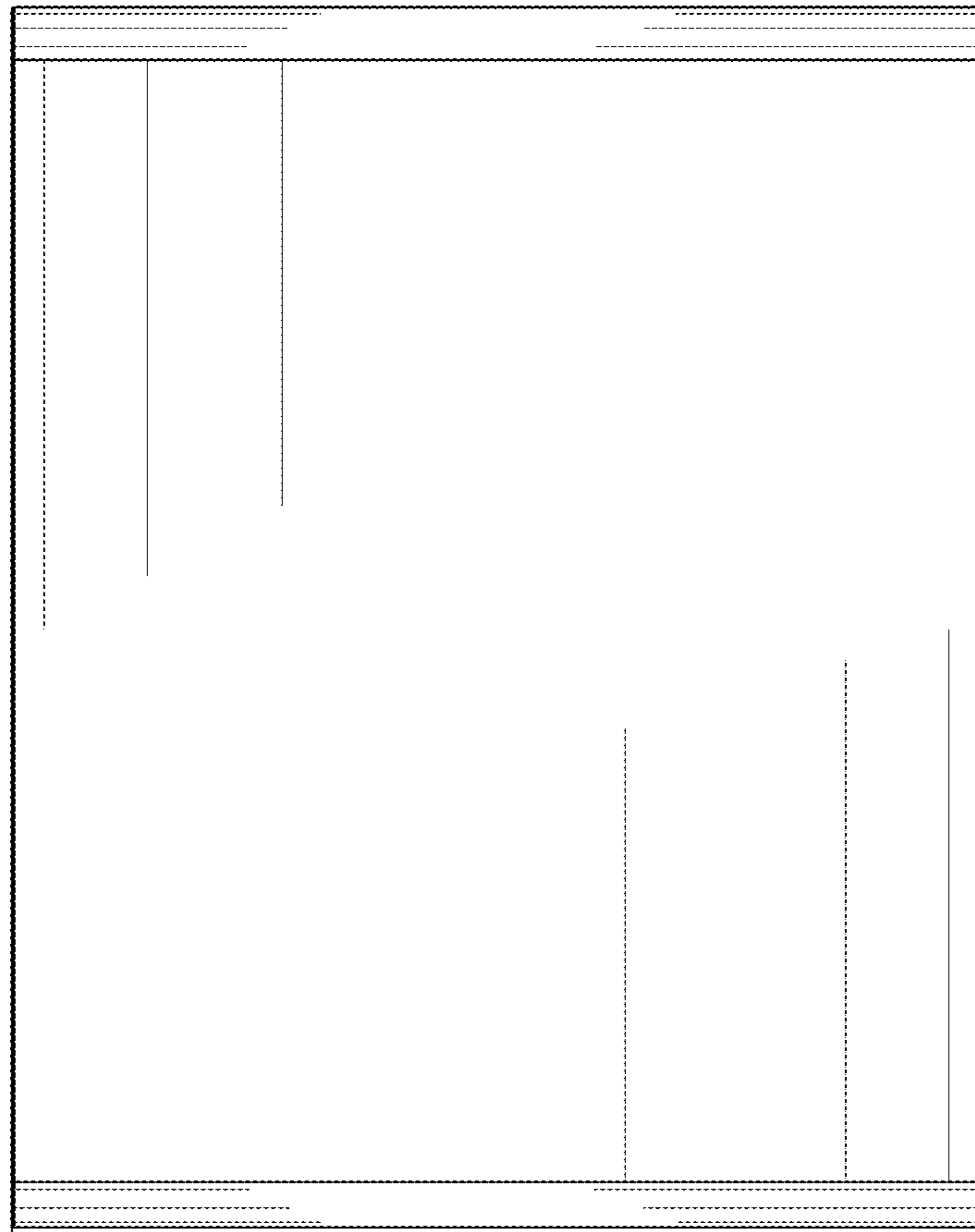


FIG. 3

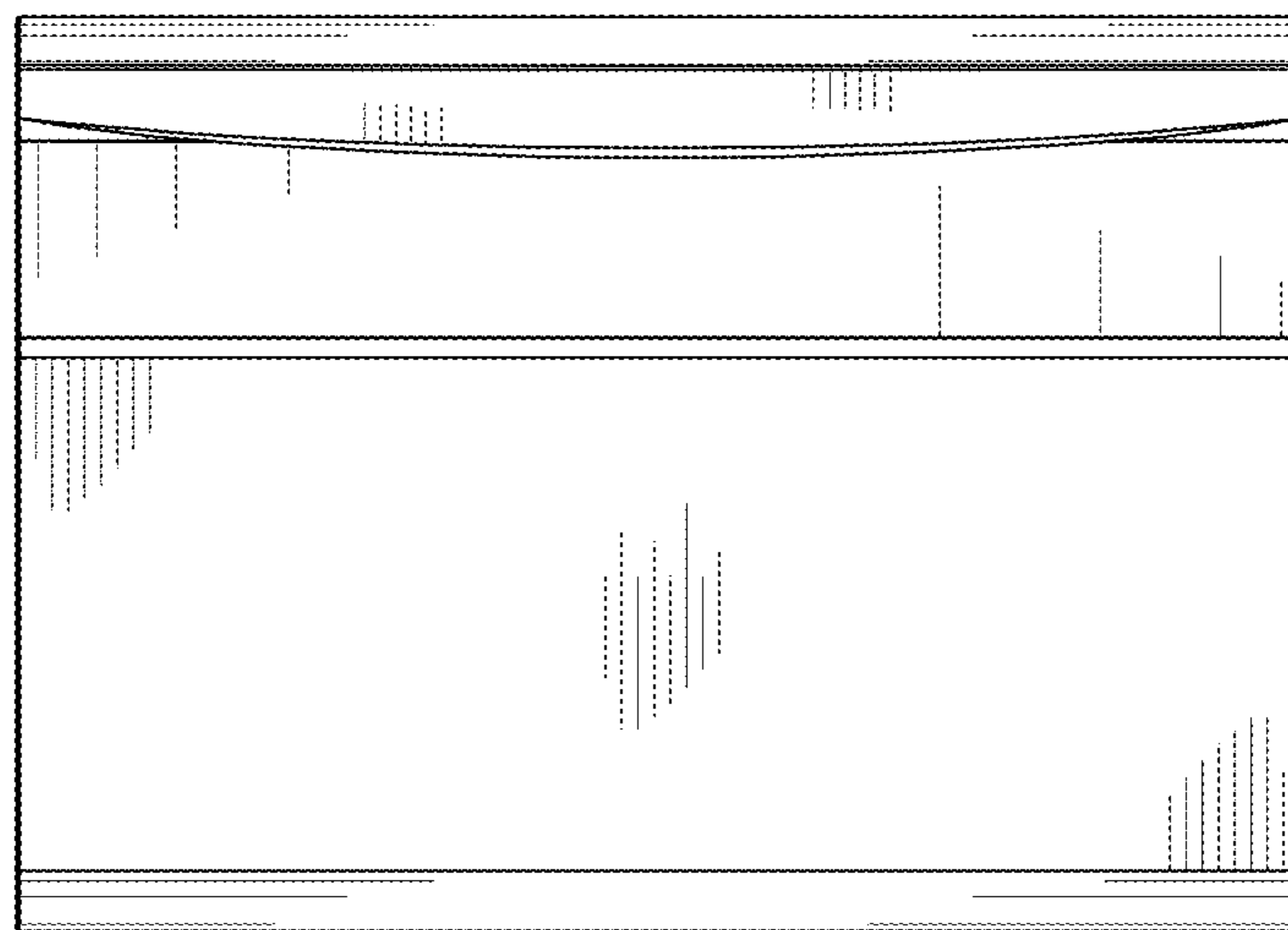


FIG. 4

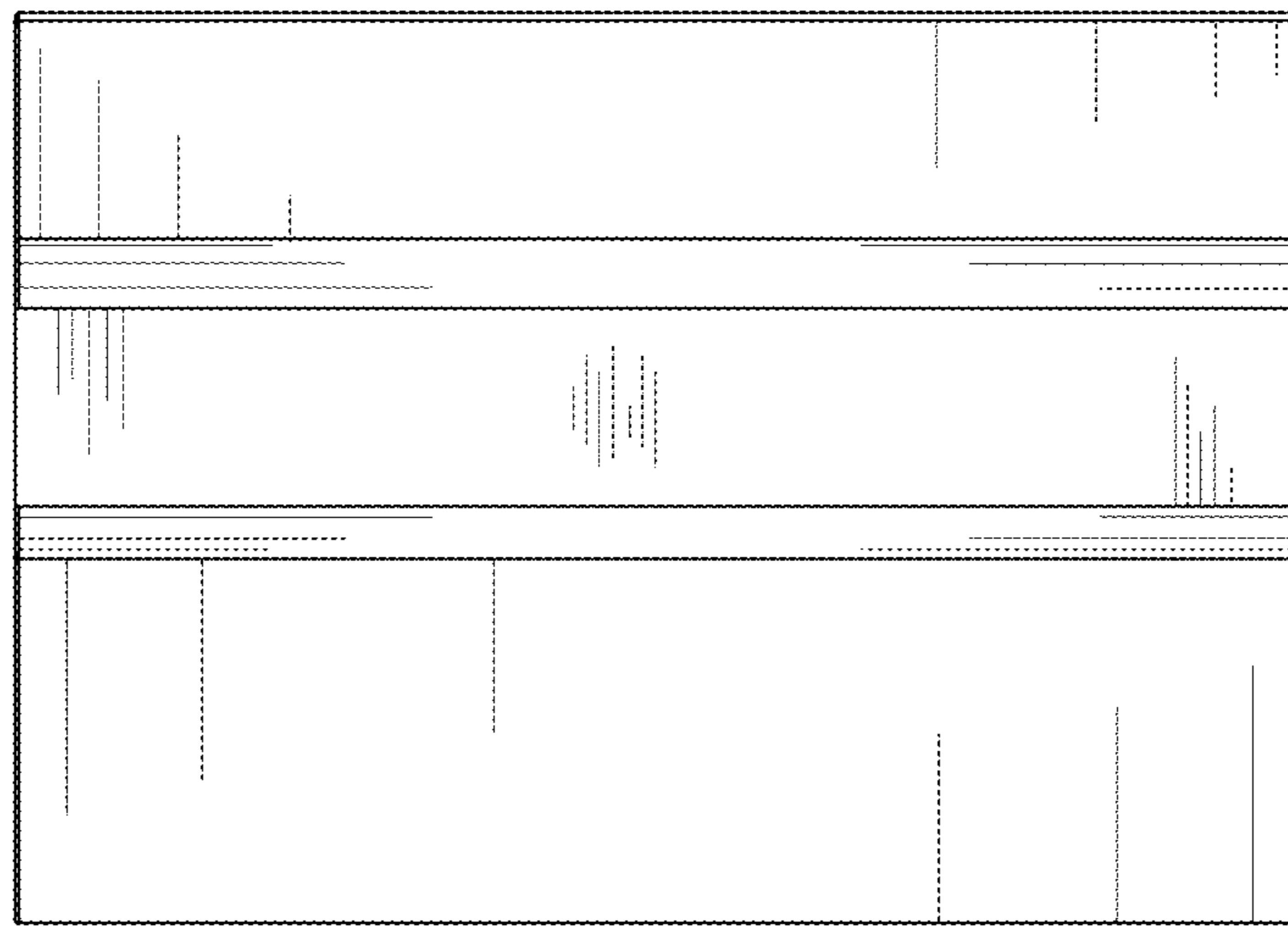


FIG. 5

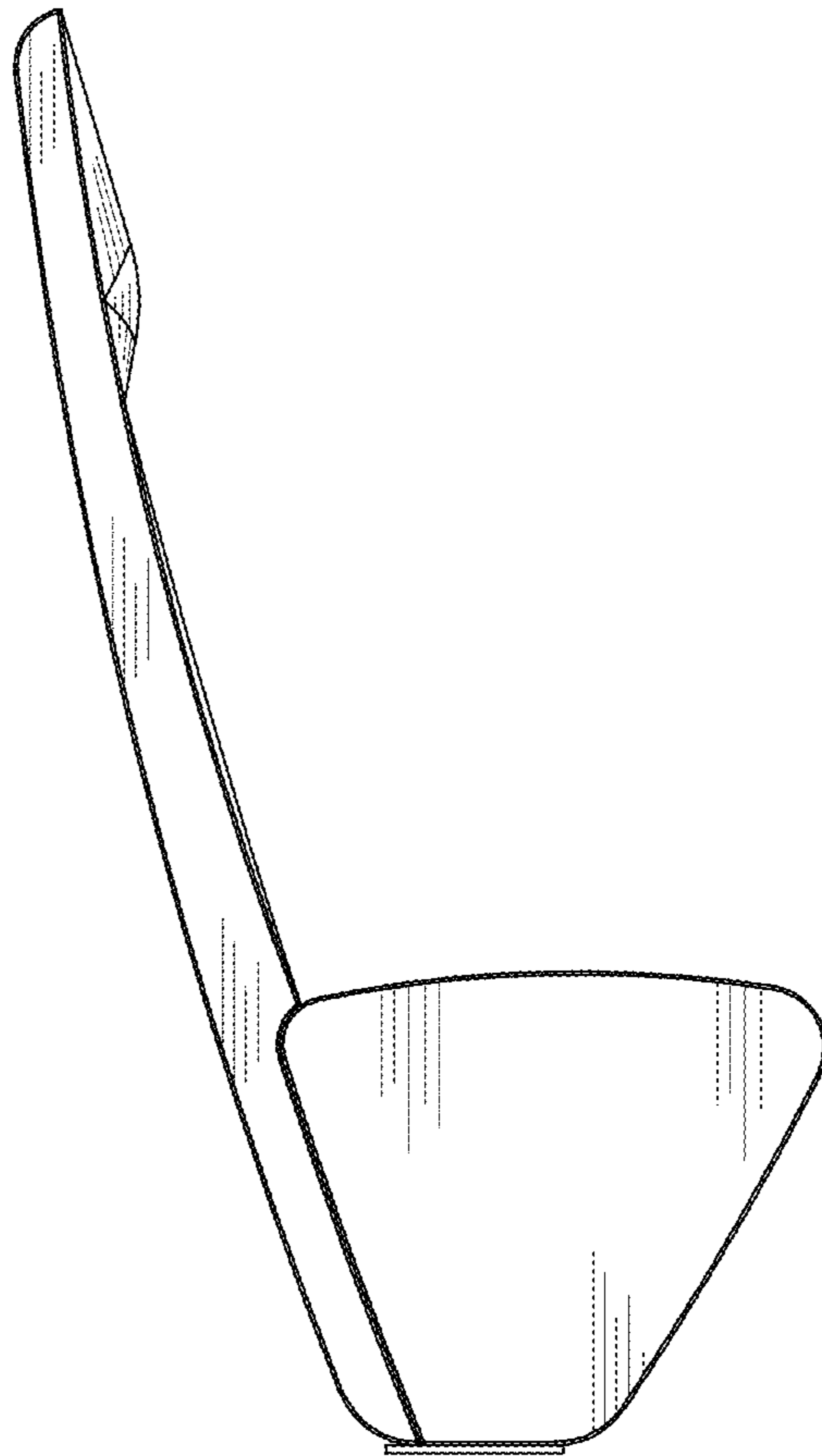


FIG. 6

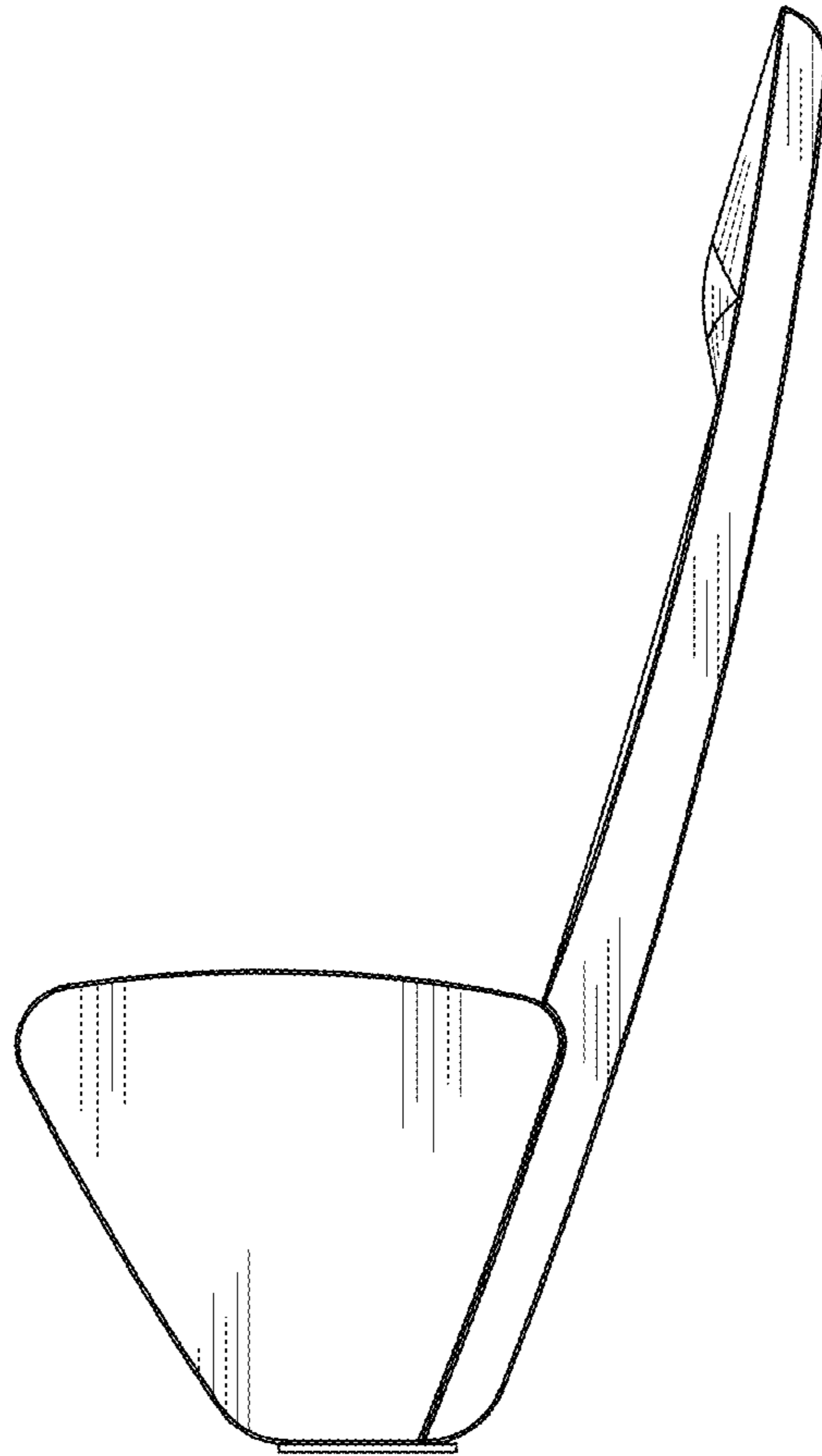


FIG. 7