



US00D818280S

(12) **United States Design Patent**  
**Stephenson**

(10) **Patent No.:** **US D818,280 S**

(45) **Date of Patent:** **\*\* May 22, 2018**

(54) **CHAIR**

(71) Applicant: **MANIFESTED PTY LTD**, Brisbane (AU)

(72) Inventor: **Robert William Alexander Stephenson**, Brisbane (AU)

(73) Assignee: **MANIFESTED PTY LTD**, Brisbane (AU)

(\*\*) Term: **15 Years**

(21) Appl. No.: **29/595,715**

(22) Filed: **Mar. 1, 2017**

(30) **Foreign Application Priority Data**

Sep. 1, 2016 (AU) ..... 201614832

(51) **LOC (11) Cl.** ..... **06-01**

(52) **U.S. Cl.**  
USPC ..... **D6/370**

(58) **Field of Classification Search**  
USPC ..... D6/334-336, 368, 370, 374, 379, 380,  
D6/716, 716.1, 716.2, 716.3, 716.4  
CPC .. A47C 1/026; A47C 4/02; A47C 4/03; A47C  
4/08; A47C 4/12; A47C 4/16; A47C 7/16;  
A47C 7/68

See application file for complete search history.

(56) **References Cited**

**U.S. PATENT DOCUMENTS**

D58,554 S \* 8/1921 Dodson ..... D6/374  
D66,525 S \* 1/1925 Wurdack et al. .... D6/374  
D68,027 S \* 8/1925 Wurdack ..... D6/370  
D78,926 S \* 7/1929 Gottlob ..... D6/370

D84,585 S \* 7/1931 Ledder et al. .... D6/370  
1,855,130 A \* 4/1932 Appleby ..... A47C 4/16  
297/21  
D136,652 S \* 11/1943 Wurdack et al. .... D6/370  
2,490,884 A \* 12/1949 Rau ..... A47C 4/03  
297/31  
5,911,469 A \* 6/1999 Young ..... A47C 7/68  
297/31  
6,003,946 A \* 12/1999 Jackson ..... A47C 1/026  
297/374  
D512,577 S \* 12/2005 Mills ..... D6/370  
D684,787 S \* 6/2013 Shand ..... D6/370  
D712,172 S \* 9/2014 Saylor ..... D6/370  
D719,366 S \* 12/2014 Fowler ..... D6/370  
D785,959 S \* 5/2017 Cole ..... D6/370

\* cited by examiner

*Primary Examiner* — Mimosa De

(74) *Attorney, Agent, or Firm* — Klein, O'Neill & Singh, LLP

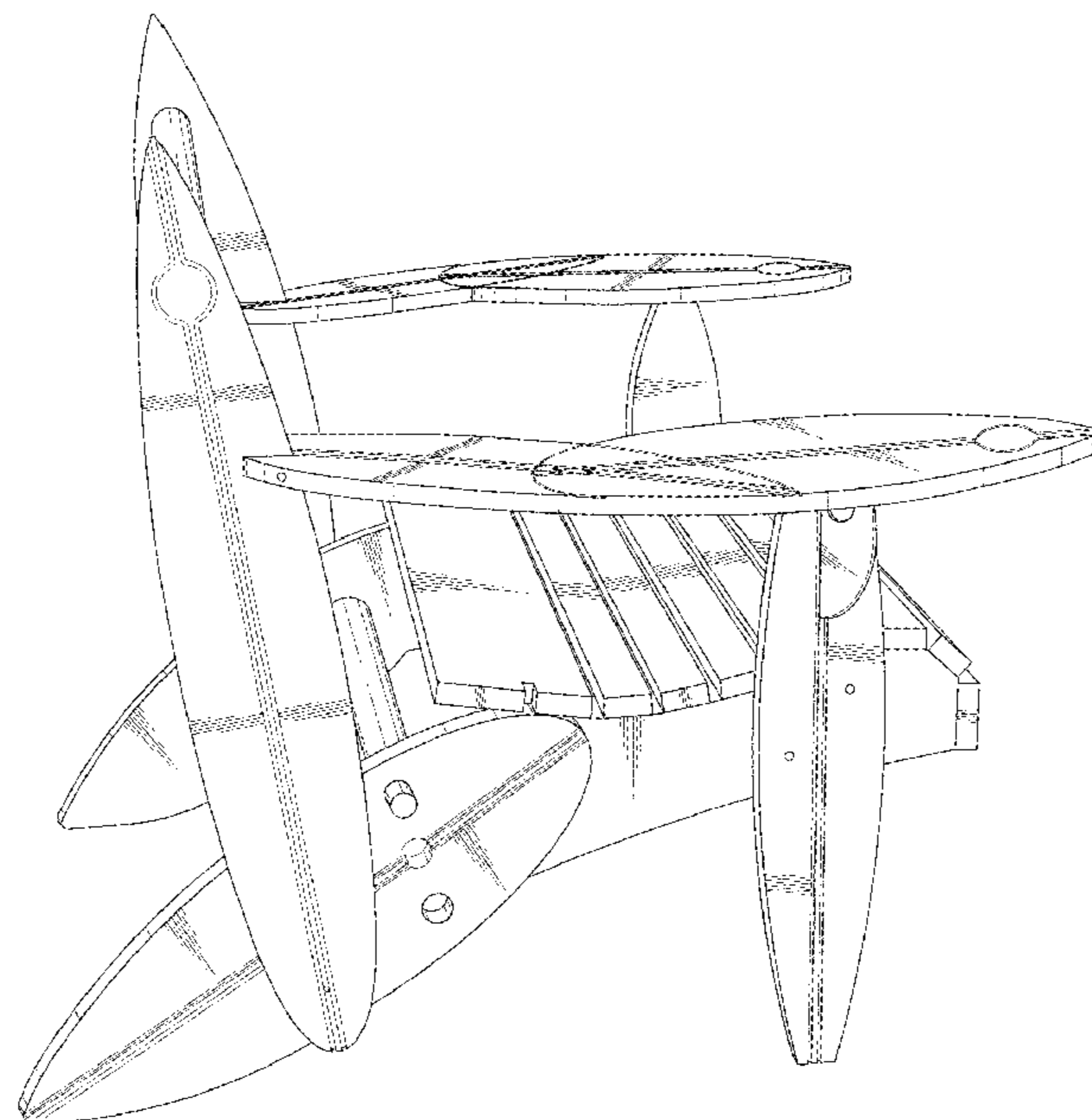
(57) **CLAIM**

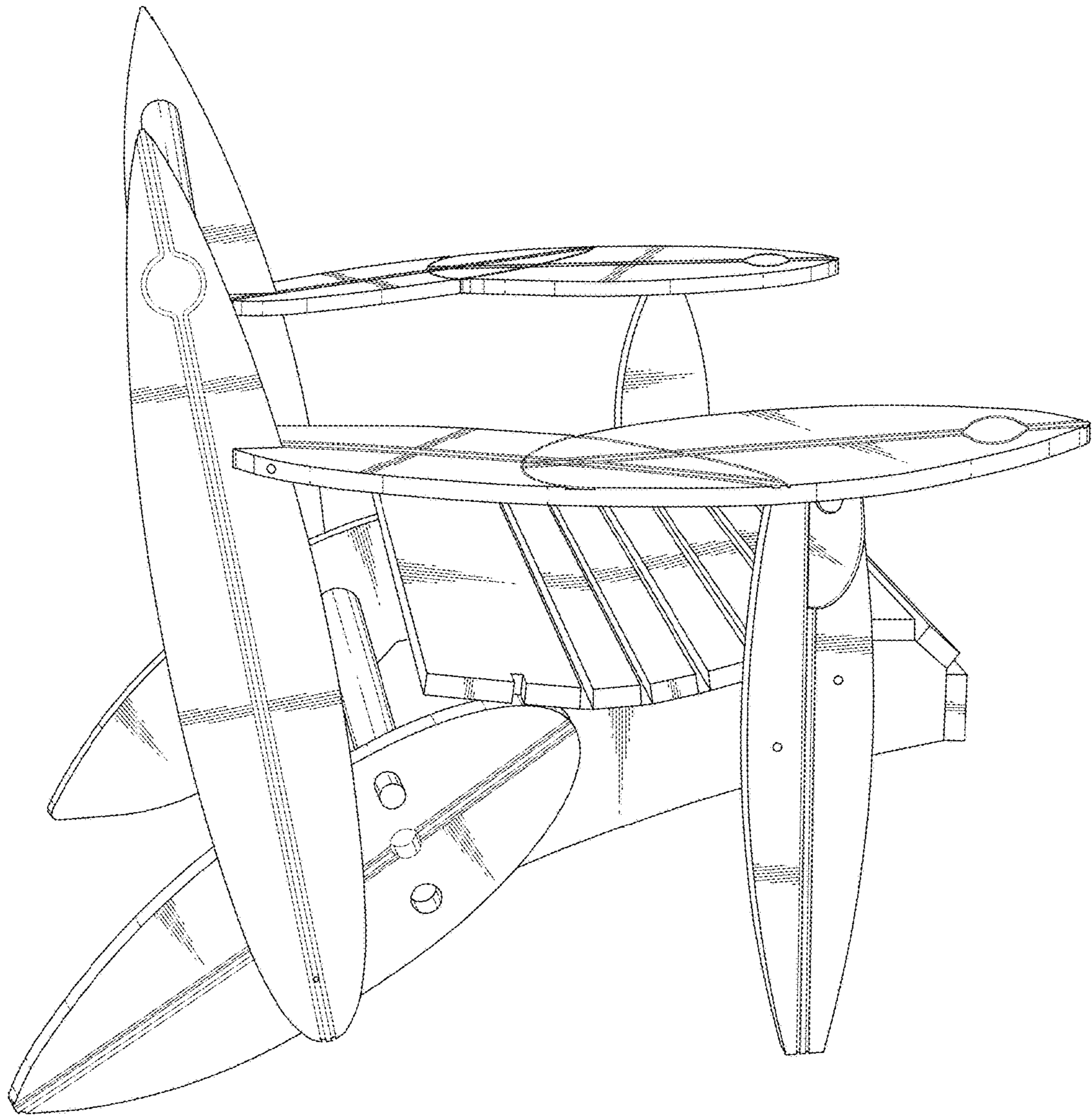
The ornamental design for a chair, as shown.

**DESCRIPTION**

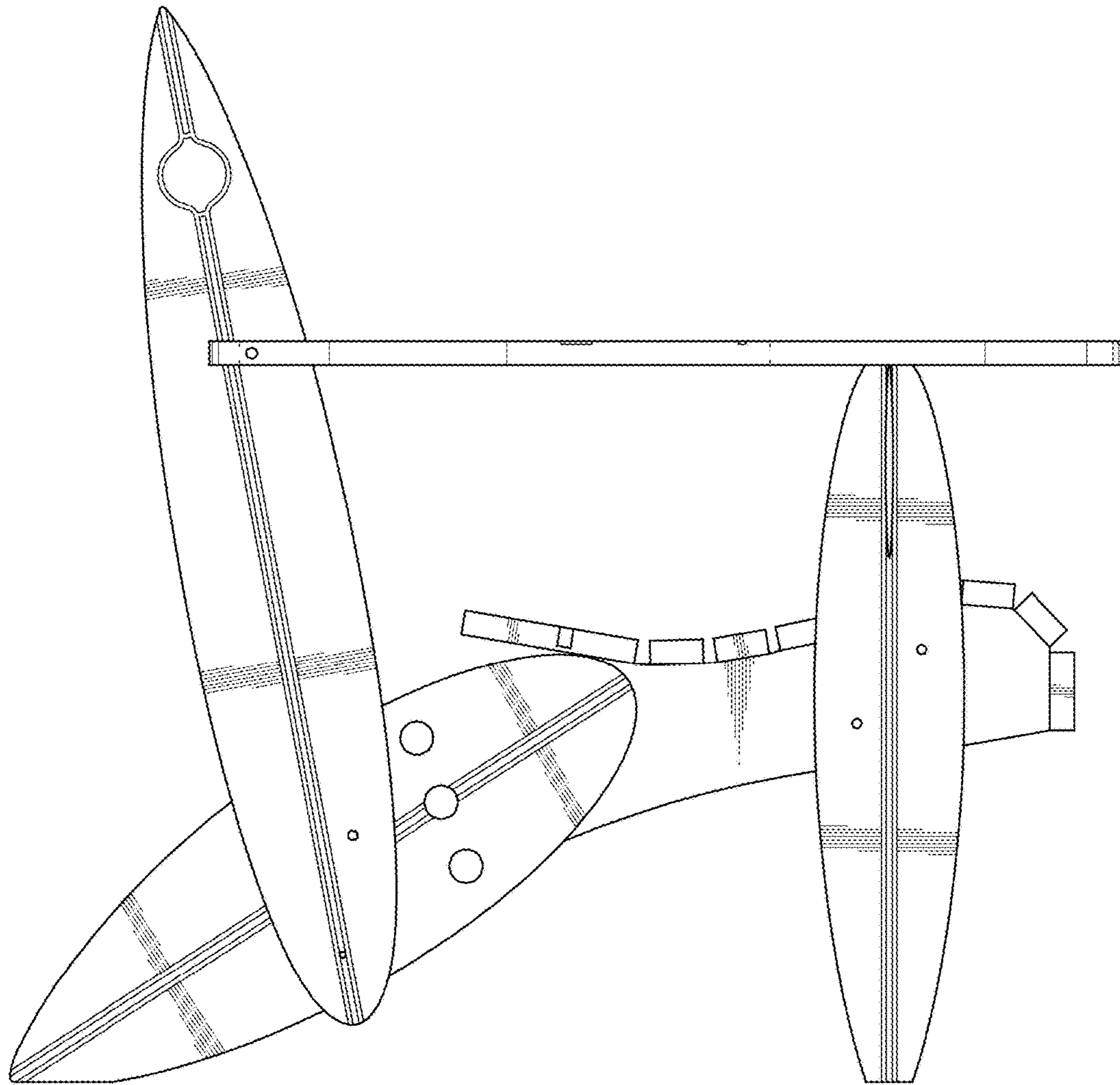
FIG. 1 is a perspective view, taken from the top and right side, of a chair, in accordance with my new design;  
FIG. 2 is a right side elevation view of the chair shown in FIG. 1;  
FIG. 3 is a left side elevation view of the chair shown in FIG. 1;  
FIG. 4 is a top plan view of the chair shown in FIG. 1;  
FIG. 5 is a bottom plan view of the chair shown in FIG. 1;  
FIG. 6 is a front elevation view of the chair shown in FIG. 1; and,  
FIG. 7 is a rear elevation view of the chair shown in FIG. 1.

**1 Claim, 7 Drawing Sheets**

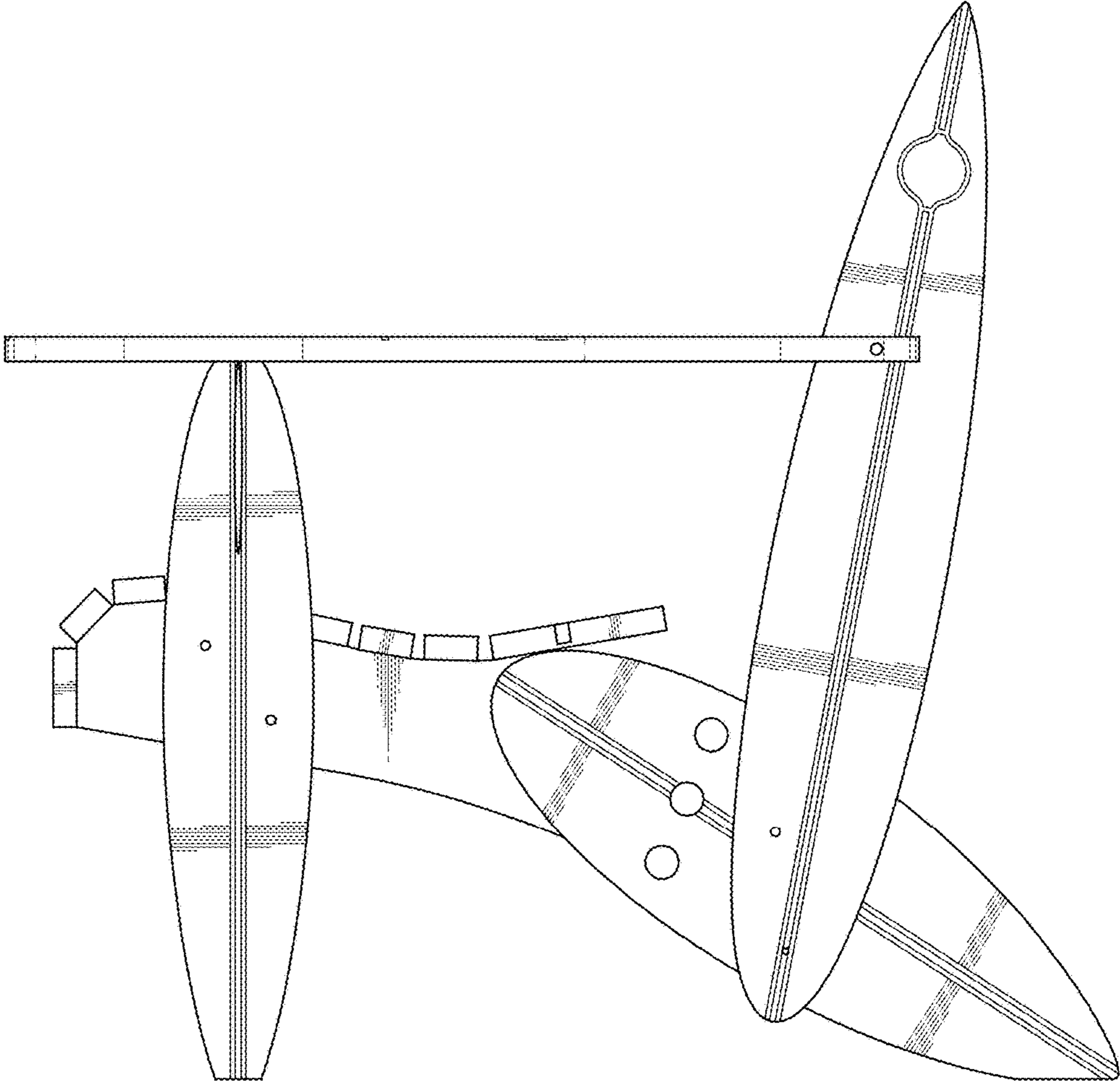




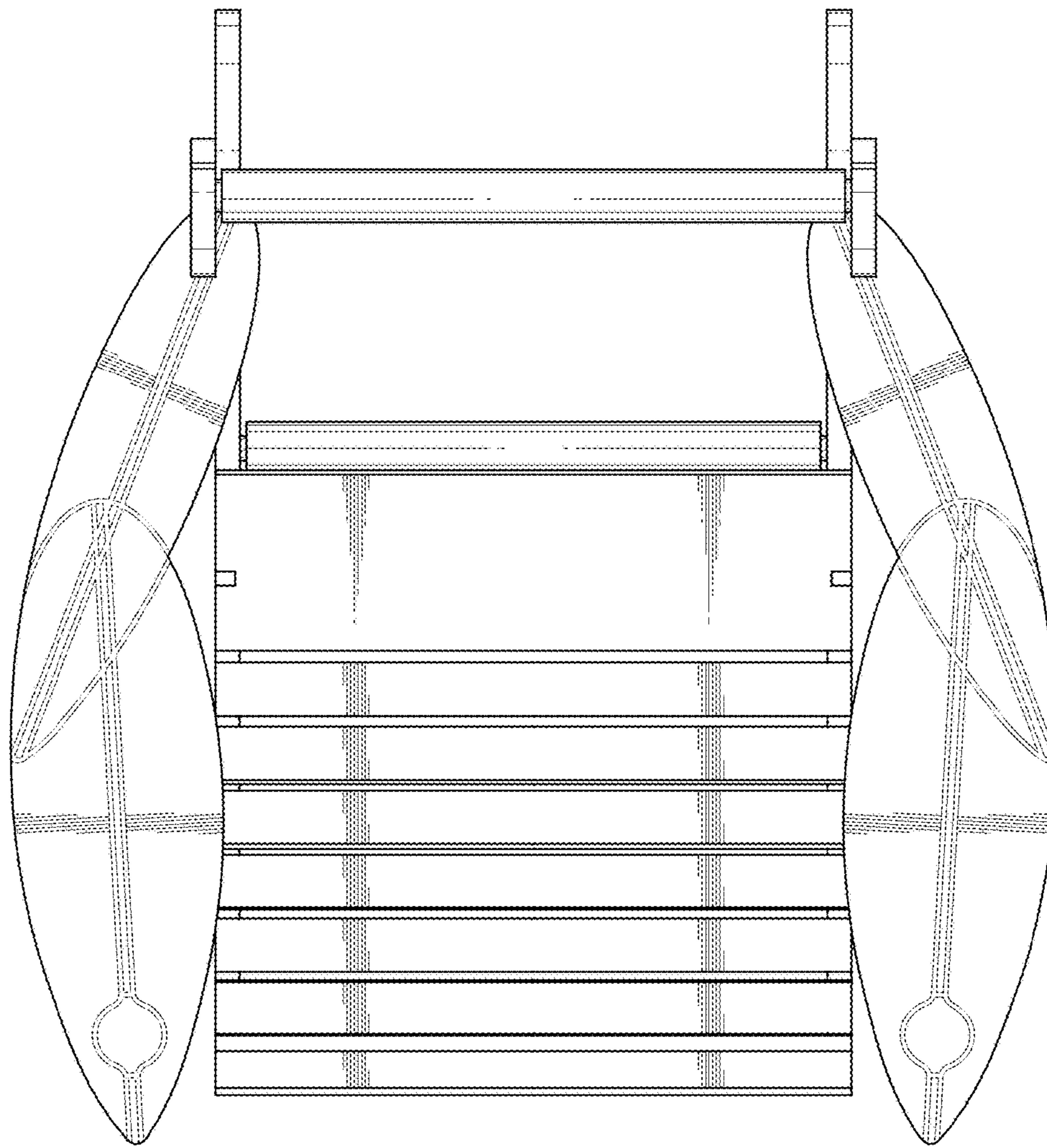
**FIG. 1**



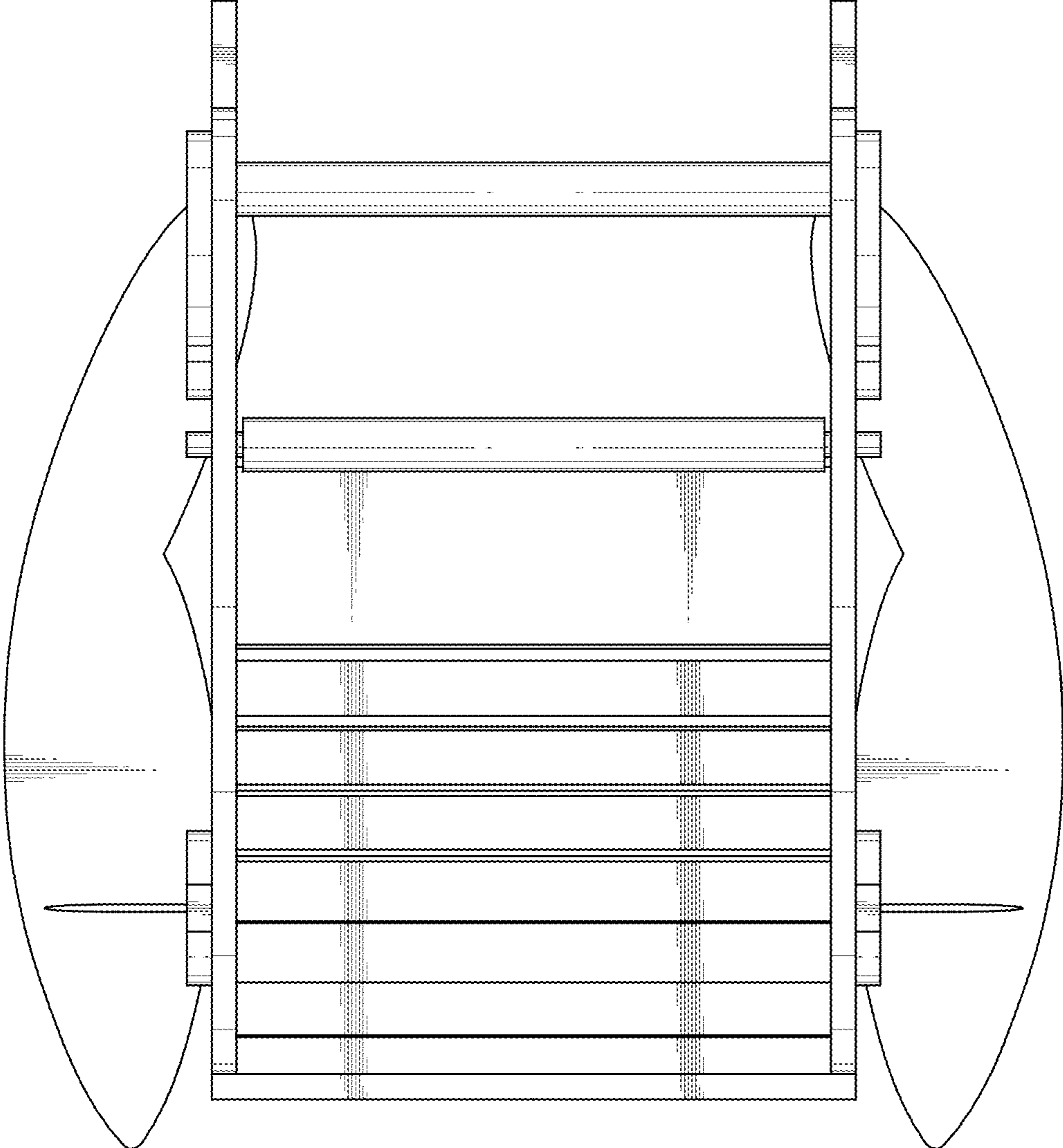
**FIG. 2**



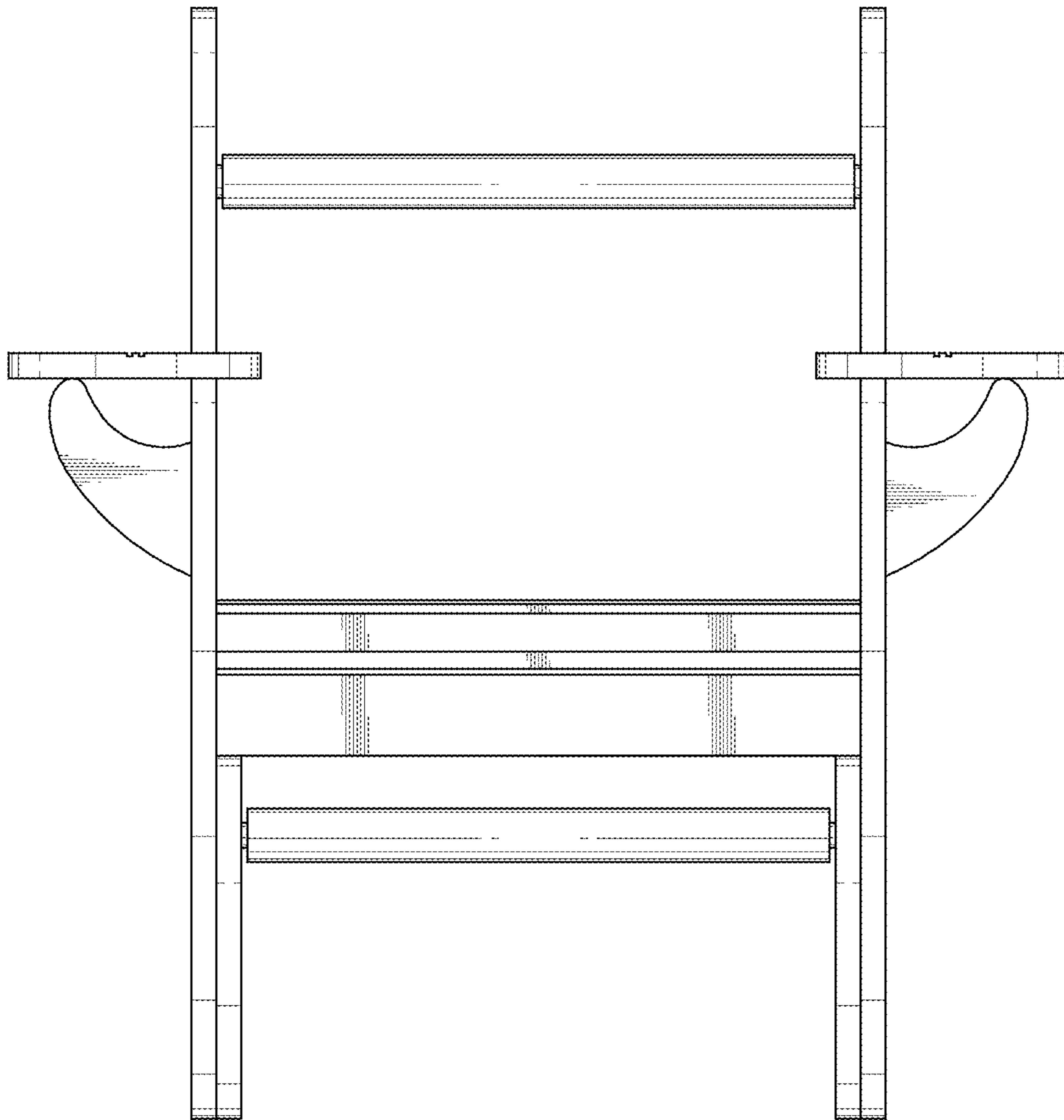
**FIG. 3**



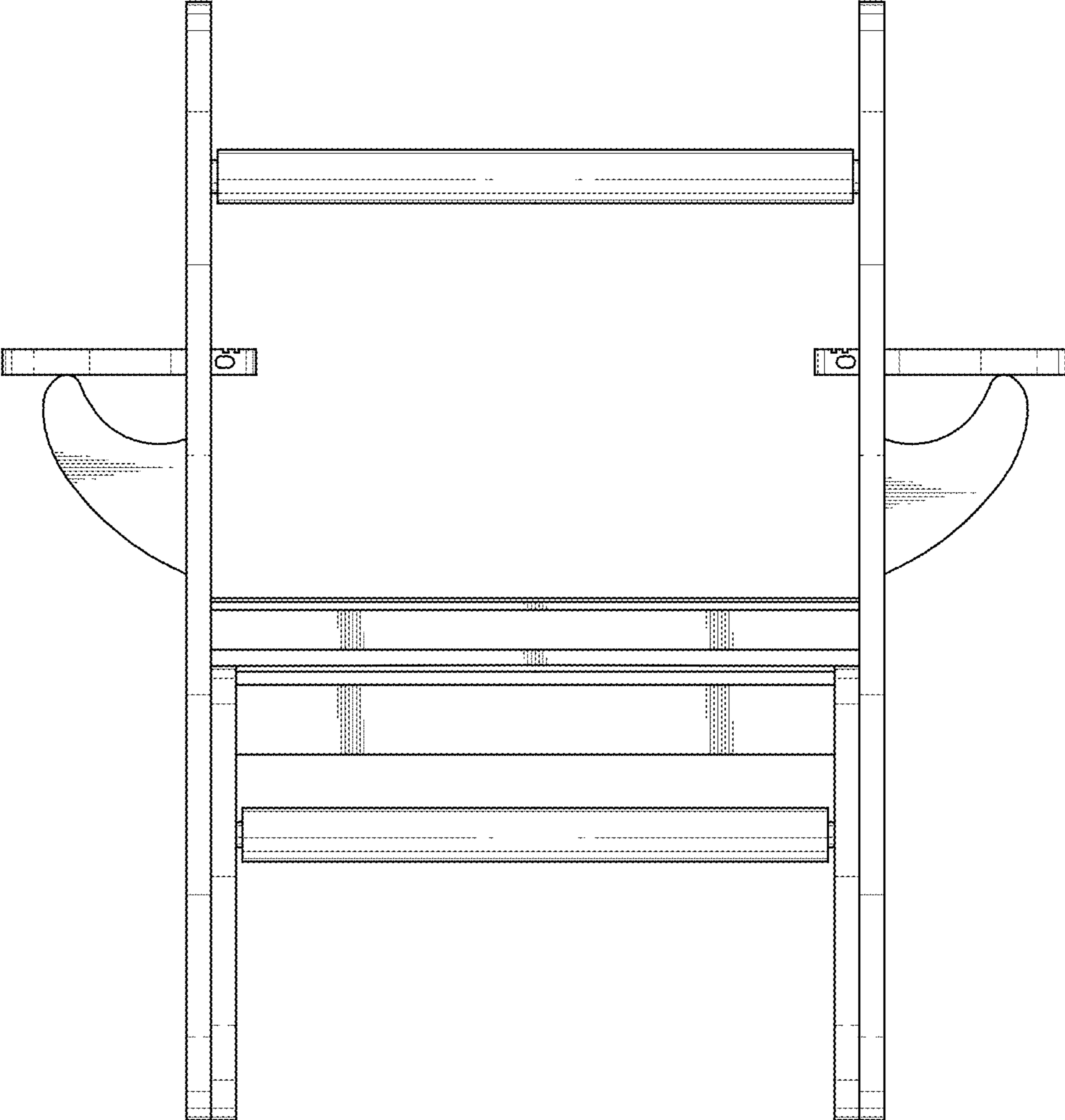
**FIG. 4**



**FIG. 5**



**FIG. 6**



**FIG. 7**