



US00D818277S

(12) **United States Design Patent**  
**Jain**

(10) **Patent No.:** **US D818,277 S**

(45) **Date of Patent:** **\*\* May 22, 2018**

(54) **COSMETIC BRUSH**

(71) Applicant: **Indeutsch Industries Private Limited,**  
Noida (IN)

(72) Inventor: **Samir Jain,** Noida (IN)

(73) Assignee: **INDEUTSCH INDUSTRIES**  
**PRIVATE LIMITED,** Noida (IN)

(\*\*) Term: **15 Years**

(21) Appl. No.: **29/586,415**

(22) Filed: **Dec. 2, 2016**

(51) **LOC (11) Cl.** ..... **04-02**

(52) **U.S. Cl.**  
USPC ..... **D4/135**

(58) **Field of Classification Search**  
USPC ..... D4/104, 105, 106, 107, 108, 109, 110,  
D4/111, 112, 121, 127, 132, 134, 135,  
D4/138, 122, 123, 124, 125, 128, 129,  
D4/130, 131, 133, 136, 137, 199;  
132/313, 317, 320; 15/DIG. 15  
CPC ..... A46B 9/021; A46B 2200/1046  
See application file for complete search history.

(56) **References Cited**

U.S. PATENT DOCUMENTS

6,526,992 B2 \* 3/2003 Bouix ..... A45D 40/0087  
132/317  
D767,903 S \* 10/2016 Lim ..... D4/135  
D778,621 S \* 2/2017 Jain ..... D4/135

2009/0038094 A1\* 2/2009 Kim ..... A45D 34/042  
15/160  
2014/0332027 A1\* 11/2014 Lim ..... A46B 9/021  
132/320  
2017/0188691 A1\* 7/2017 Richards ..... A46B 5/0095

FOREIGN PATENT DOCUMENTS

EM 002910968-0011 \* 12/2015

\* cited by examiner

*Primary Examiner* — Karen E Eldridge Powers

(74) *Attorney, Agent, or Firm* — Katten Muchin  
Rosenman LLP

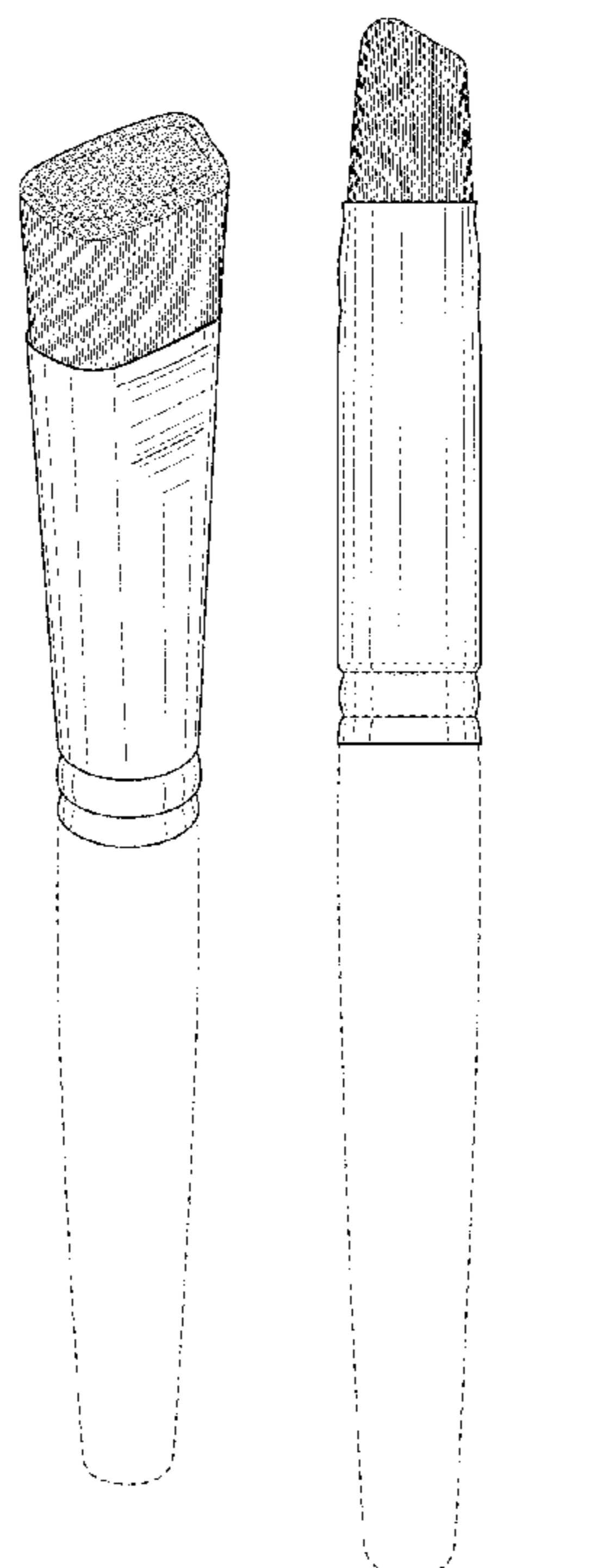
(57) **CLAIM**

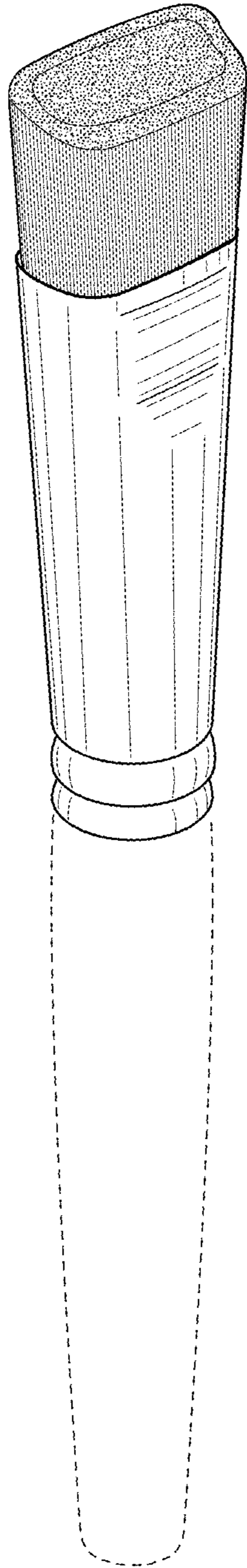
The ornamental design for the cosmetic brush, as shown and described.

**DESCRIPTION**

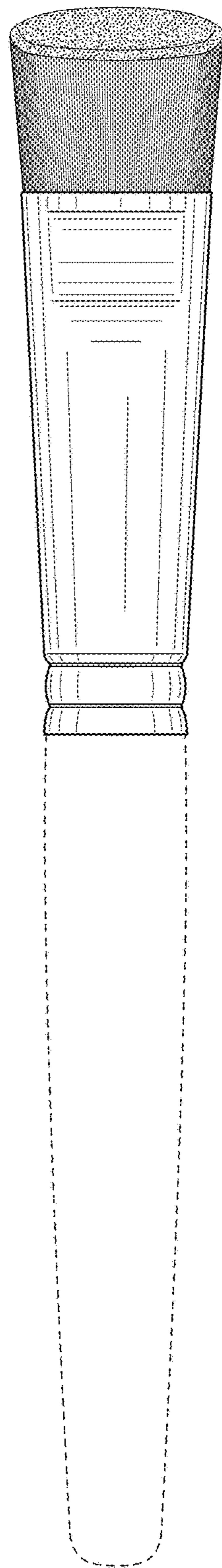
FIG. 1 is a front perspective view of a cosmetic brush of the present invention;  
FIG. 2 is a front elevation view of the present invention.  
FIG. 3 is a rear elevation view of the present invention.  
FIG. 4 is a first side elevation view of the present invention.  
FIG. 5 is a second side elevation view of the present invention.  
FIG. 6 is a top plan view of the present invention; and,  
FIG. 7 is a bottom plan view of the present invention.  
The broken lines illustrate features of the article of manufacture that are environmental structure and form no part of the claimed design.

**1 Claim, 4 Drawing Sheets**

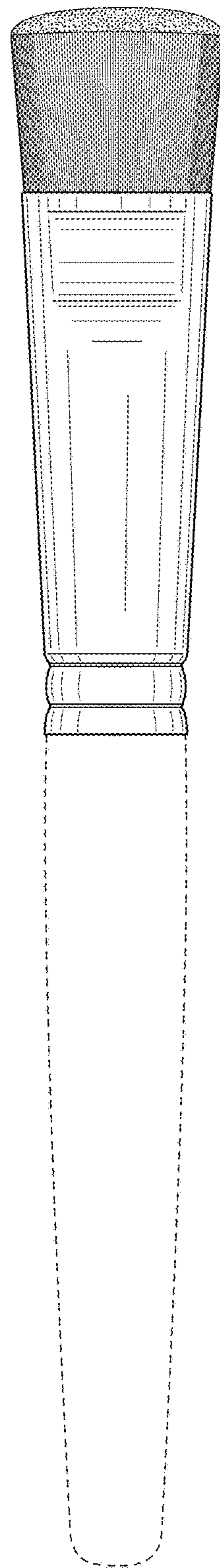




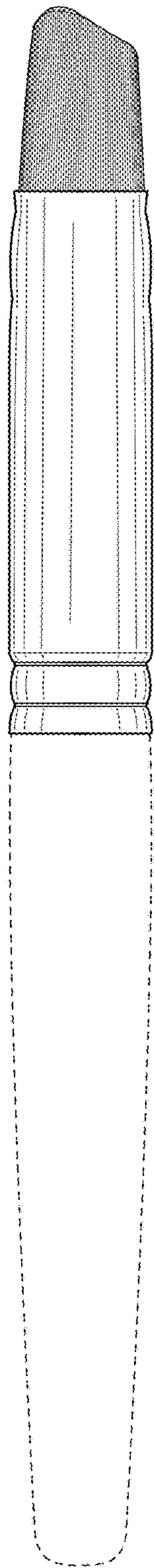
**FIG. 1**



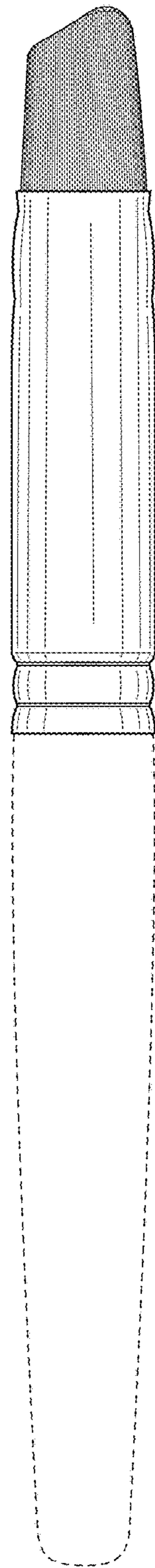
**FIG. 2**



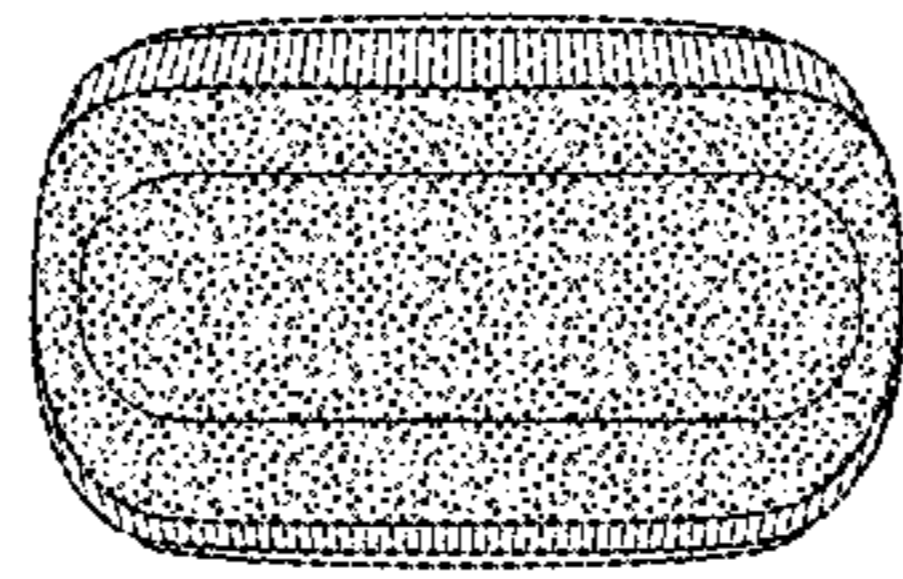
**FIG. 3**



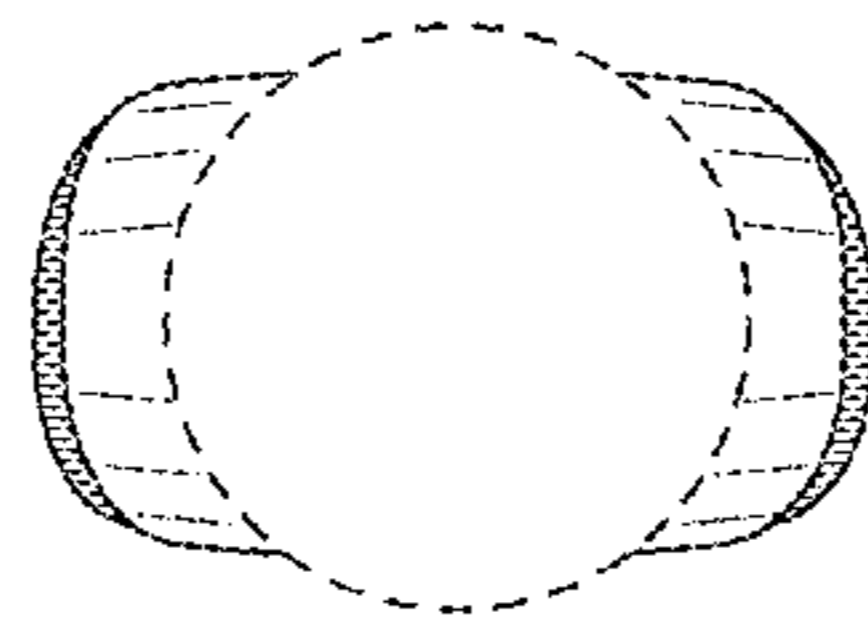
**FIG. 4**



**FIG. 5**



**FIG. 6**



**FIG. 7**