



US00D818275S

(12) **United States Design Patent** (10) **Patent No.:** **US D818,275 S**
Grund et al. (45) **Date of Patent:** **** May 22, 2018**

(54) **MAKEUP BRUSH**
(71) Applicant: **And.B, LLC**, New York, NY (US)
(72) Inventors: **Bobbie Lynn Grund**, New York, NY (US); **Andrea DeVos Abraham**, New York, NY (US)
(73) Assignee: **And.B, LLC**, New York, NY (US)
(**) Term: **15 Years**
(21) Appl. No.: **29/573,881**
(22) Filed: **Aug. 10, 2016**
(51) **LOC (11) Cl.** **04-01**
(52) **U.S. Cl.**
USPC **D4/120**
(58) **Field of Classification Search**
USPC D4/105, 130, 134-135, 138;
D23/223-227; D19/125; 15/159.1, 160,
15/168, 186-188, 192; 132/320
CPC . A46D 1/00; A46D 1/003; A46D 1/02; A46D
1/0238; A46B 5/00; A46B 3/02; A46B
11/00; A45D 40/262
See application file for complete search history.

(56) **References Cited**
U.S. PATENT DOCUMENTS
6,039,051 A * 3/2000 Dorf A45D 40/28
132/313
D528,304 S * 9/2006 Langer D4/116
D625,522 S * 10/2010 Riaz D4/135
D630,437 S * 1/2011 Carey D4/116
D655,512 S * 3/2012 Pope D4/135
D663,957 S * 7/2012 Garcia D4/135
D666,008 S * 8/2012 Boudreau D4/135
D713,646 S * 9/2014 Mink D4/135
D749,858 S * 2/2016 Snook D4/135
D749,859 S * 2/2016 Snook D4/135
D751,824 S * 3/2016 Childs D4/135
D767,903 S * 10/2016 Lim D4/135

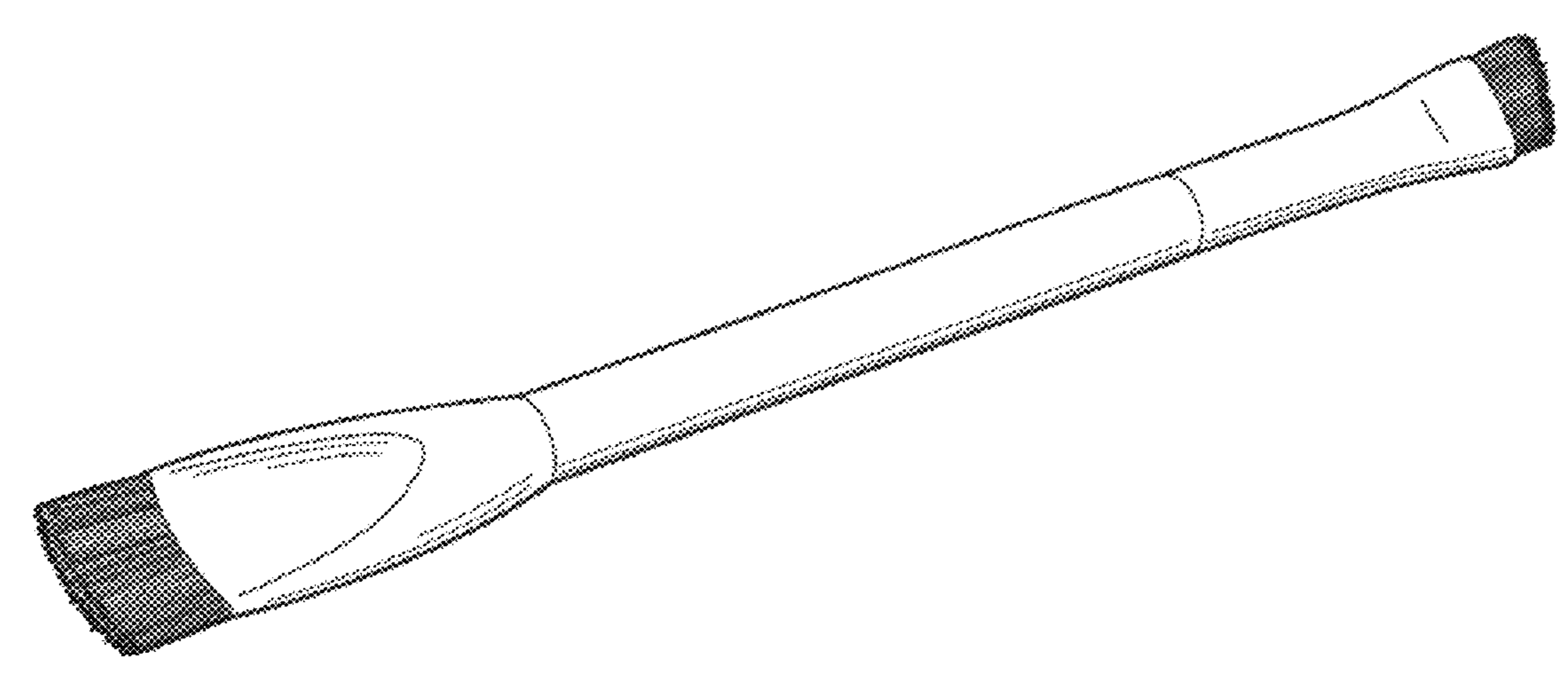
D768,998 S * 10/2016 Kim D4/127
D776,440 S * 1/2017 Jain D4/135
D798,063 S * 9/2017 Grund D4/120
2007/0235395 A1* 10/2007 Mondale A46B 17/00
211/65
2010/0037407 A1* 2/2010 Telwar A46B 3/08
15/160
2010/0101035 A1* 4/2010 Nakamura A46B 9/021
15/160
2012/0260931 A1* 10/2012 Martin A46B 13/02
132/200
2013/0098382 A1* 4/2013 Martin A46B 13/02
132/200
2014/0325779 A1* 11/2014 Dansby A46B 17/02
15/168
2015/0296964 A1* 10/2015 Kim A46B 5/0016
15/106
2016/0081456 A1* 3/2016 Grund A45D 34/06
132/200
2016/0262528 A1* 9/2016 Telwar A46B 33/10
2017/0265637 A1* 9/2017 Telwar A46B 9/021

* cited by examiner
Primary Examiner — Caron D Veynar
Assistant Examiner — Mehri F Bajoul
(74) *Attorney, Agent, or Firm* — Warner Norcross + Judd
LLP

(57) **CLAIM**
The ornamental design for a makeup brush, as shown and described.

DESCRIPTION
FIG. 1 is a perspective view of a makeup brush;
FIG. 2 is a right side elevation view thereof;
FIG. 3 is a front elevation view thereof;
FIG. 4 is an inverted left side elevation view thereof;
FIG. 5 is a rear elevation view thereof;
FIG. 6 is a top plan view thereof; and,
FIG. 7 is a bottom plan view thereof.

1 Claim, 3 Drawing Sheets



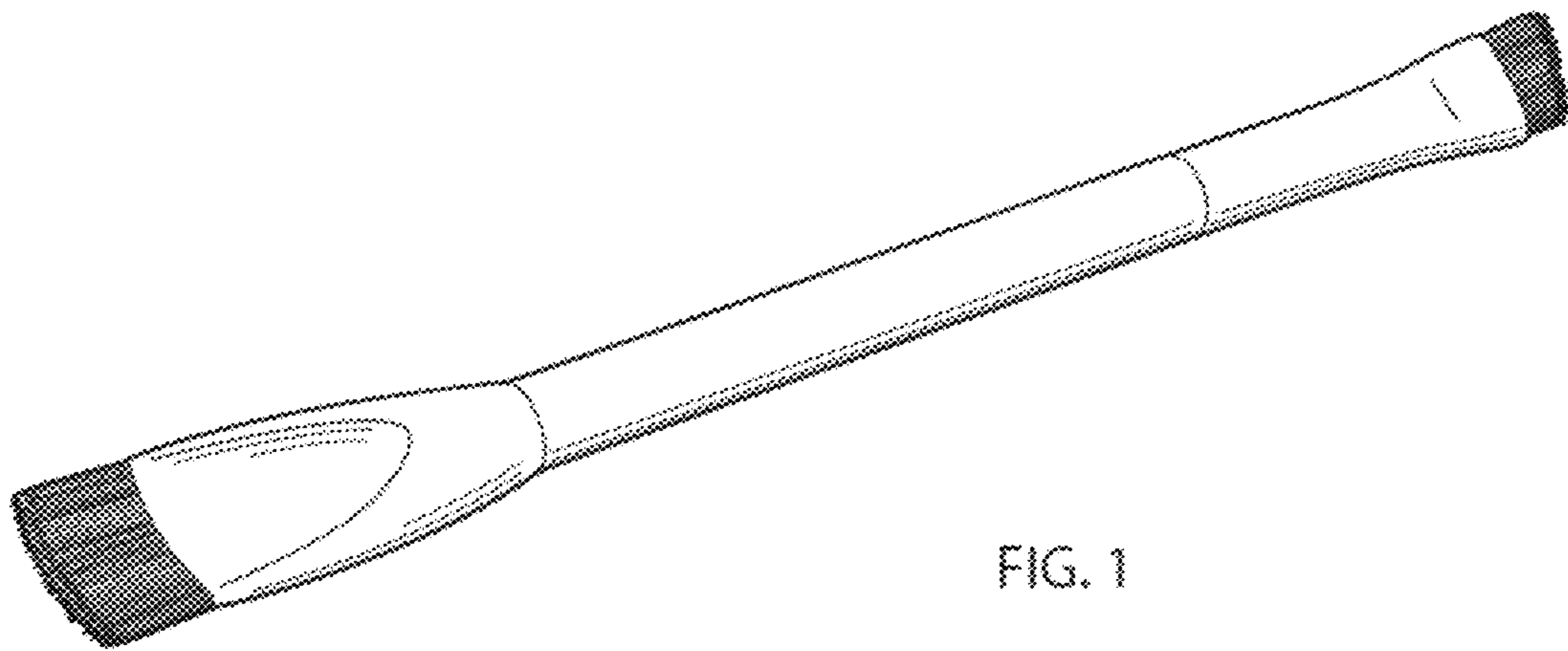


FIG. 1

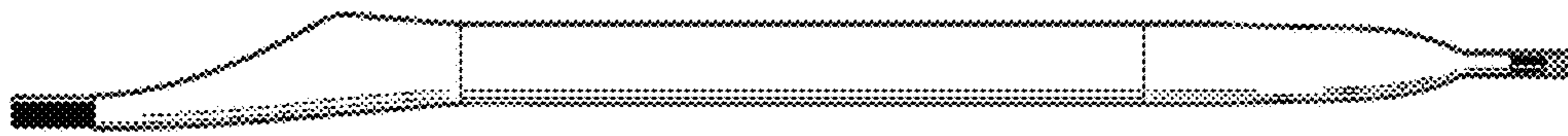


FIG. 2



FIG. 3



FIG. 4



FIG. 5

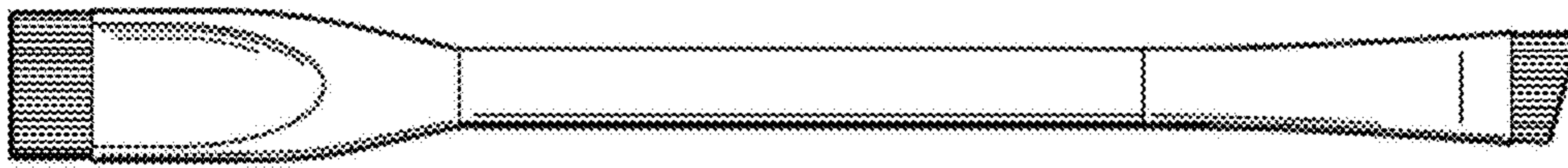


FIG. 6

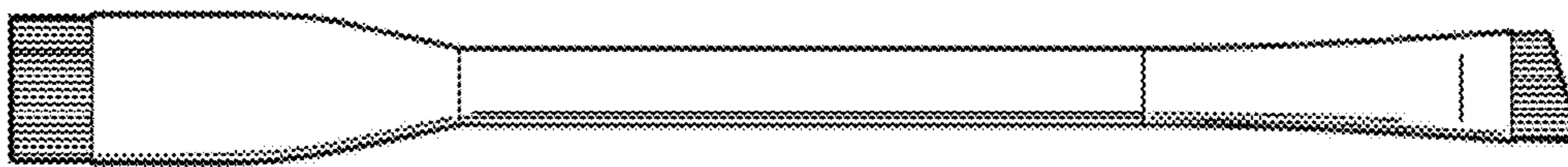


FIG. 7