



US00D818270S

(12) **United States Design Patent** (10) **Patent No.:** **US D818,270 S**  
**Yoshioka** (45) **Date of Patent:** **\*\* May 22, 2018**

(54) **BASKET FOR STORAGE**  
(71) Applicant: **Panasonic Intellectual Property Management Co., Ltd., Osaka (JP)**  
(72) Inventor: **Masaya Yoshioka, Osaka (JP)**  
(73) Assignee: **Panasonic Intellectual Property Management Co., Ltd., Osaka (JP)**

D690,514 S \* 10/2013 Shamp ..... D3/304  
D722,946 S \* 2/2015 Armstrong ..... D12/407  
D724,273 S \* 3/2015 Diskin ..... D30/118  
D750,892 S \* 3/2016 Rego ..... D3/305  
D775,900 S \* 1/2017 Dornic ..... D7/554.3  
D782,382 S \* 3/2017 Jaimes ..... D12/203  
D802,967 S \* 11/2017 Henonin ..... D6/675  
D803,680 S \* 11/2017 Morris ..... D9/431

(\*\*) Term: **15 Years**  
(21) Appl. No.: **29/591,055**

**FOREIGN PATENT DOCUMENTS**

JP D1563224 11/2016

\* cited by examiner

(22) Filed: **Jan. 16, 2017**

*Primary Examiner* — Kelley Donnelly

(74) *Attorney, Agent, or Firm* — Panasonic IP Management; Kerry S. Culpepper

(30) **Foreign Application Priority Data**

Jul. 22, 2016 (JP) ..... 2016-015626

(51) **LOC (11) Cl.** ..... **03-01**

(52) **U.S. Cl.**  
USPC ..... **D3/314**

(58) **Field of Classification Search**  
USPC ..... D3/304–305, 307–309, 312, 314, 315;  
D6/672–673, 675

CPC ..... B65D 1/22; B65D 19/00; B65D 21/0209;  
B65D 21/00; B65D 21/02

See application file for complete search history.

(56) **References Cited**

**U.S. PATENT DOCUMENTS**

2,085,238 A \* 6/1937 Towell ..... B65D 5/36  
229/102.5  
D269,868 S \* 7/1983 Seltzer ..... D13/119  
D316,752 S \* 5/1991 Ricketts ..... D24/226  
D317,070 S \* 5/1991 Ott ..... D3/314  
D344,023 S \* 2/1994 Eisman ..... D9/430  
D351,345 S \* 10/1994 Geho ..... D9/430  
D380,937 S \* 7/1997 Beckerman ..... D7/554.1  
D537,272 S \* 2/2007 Zungri ..... D6/406.5  
D625,547 S \* 10/2010 Junkins ..... D7/354

(57) **CLAIM**

I claim the ornamental design for a basket for storage, as shown and described.

**DESCRIPTION**

FIG. 1 is a front perspective view of a basket for storage of the present invention;

FIG. 2 is a front view thereof;

FIG. 3 is a rear view thereof;

FIG. 4 is a first side view thereof;

FIG. 5 is a second side view thereof;

FIG. 6 is a top view thereof;

FIG. 7 is a bottom view thereof;

FIG. 8 is an enlarged cross-sectional view taken along the line 8-8 in FIG. 2 thereof; and,

FIG. 9 is an enlarged cross-sectional view taken along the line 9-9 in FIG. 6 thereof.

The broken line showing of a basket for storage is included for the purpose of illustrating environment and forms no part of the claimed design.

**1 Claim, 9 Drawing Sheets**

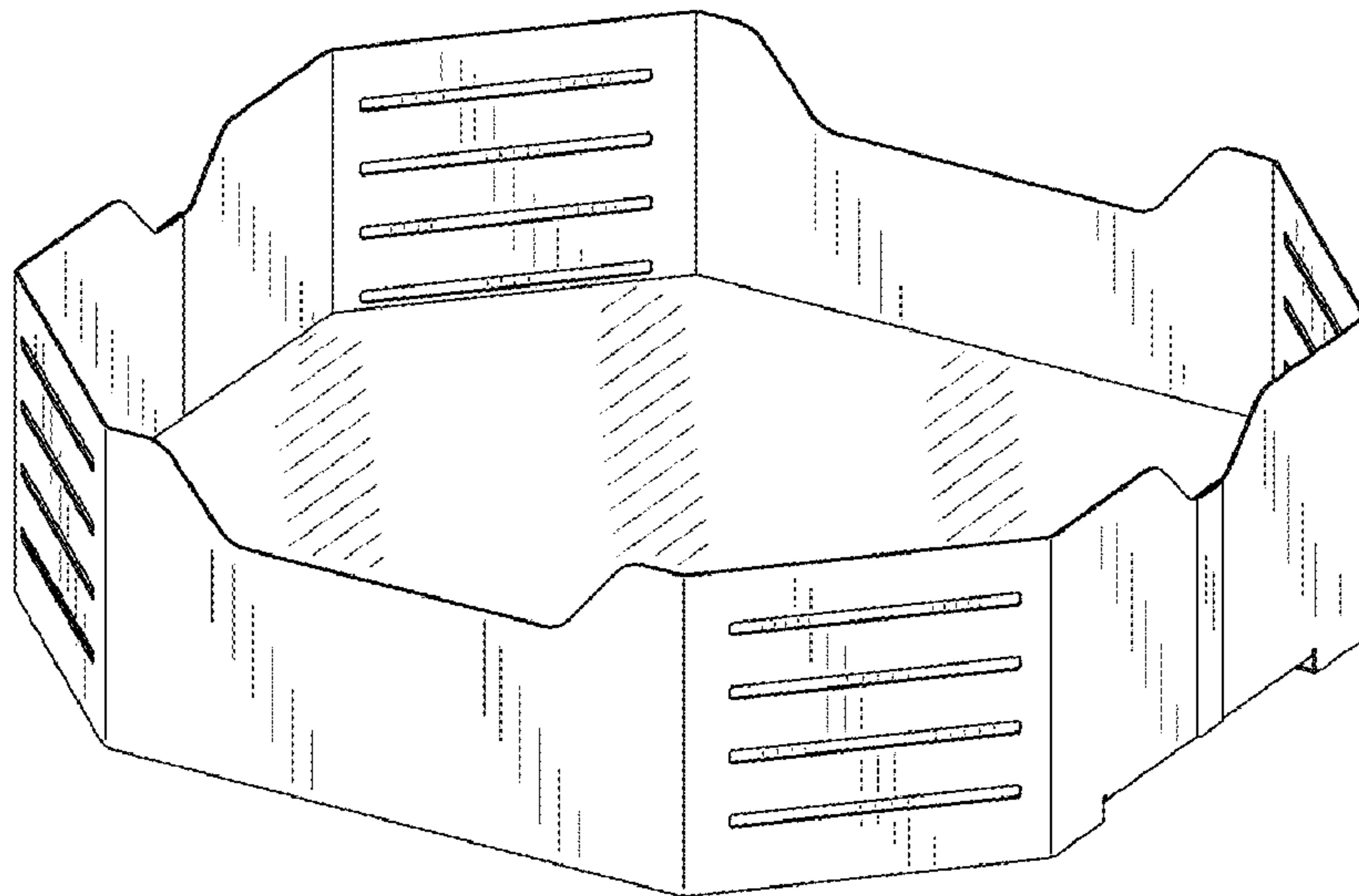


FIG. 1

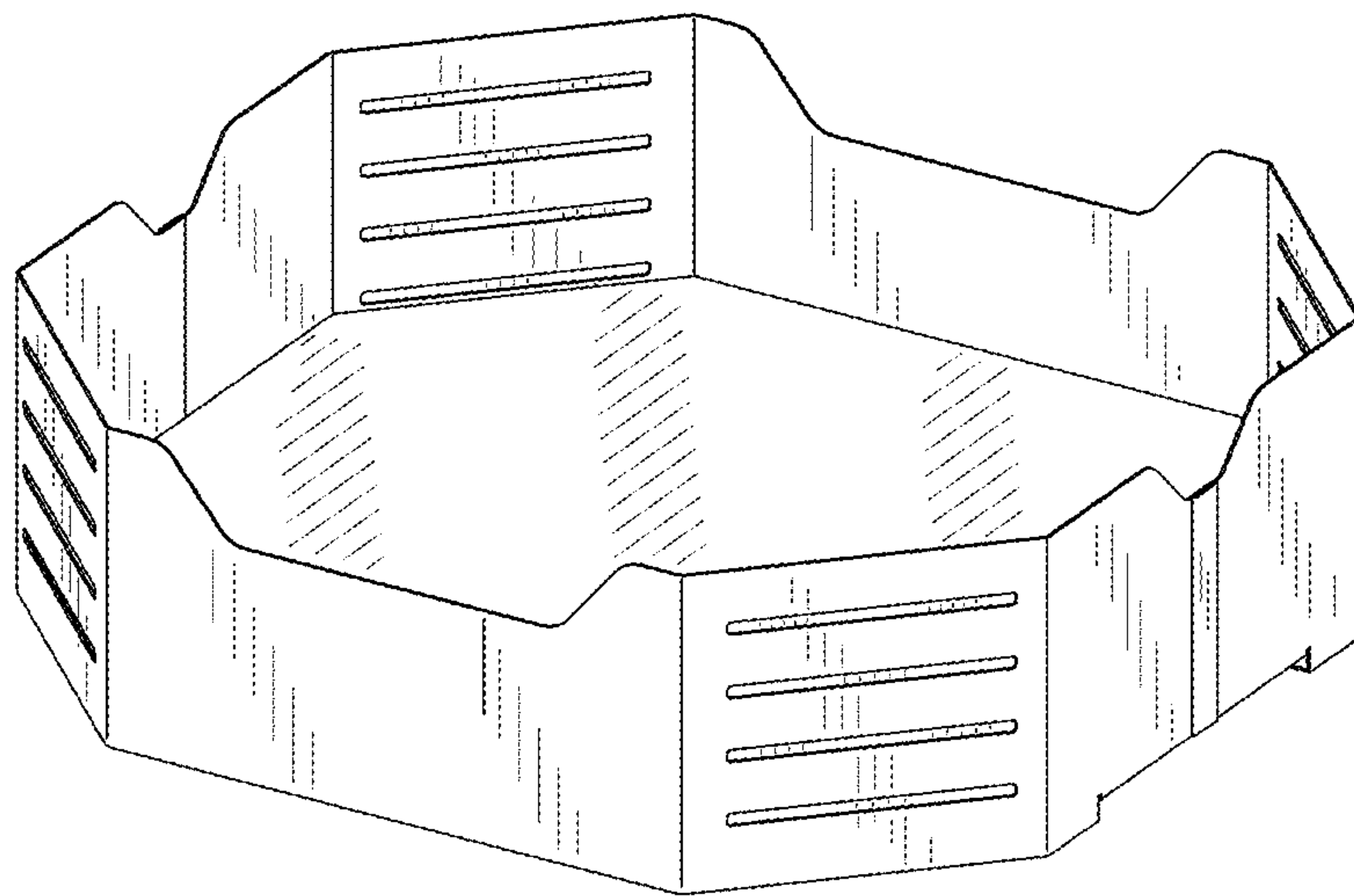


FIG. 2

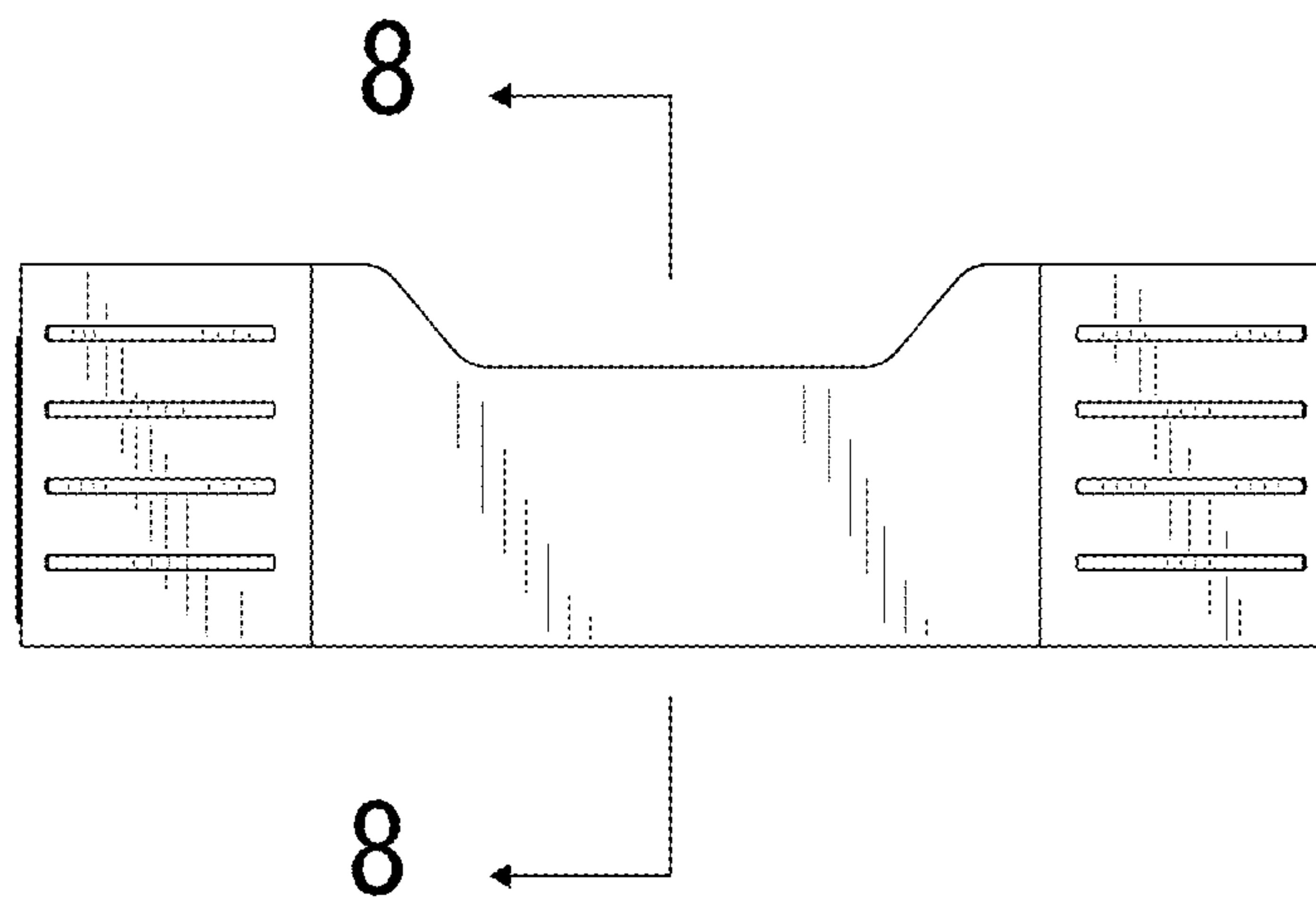


FIG. 3

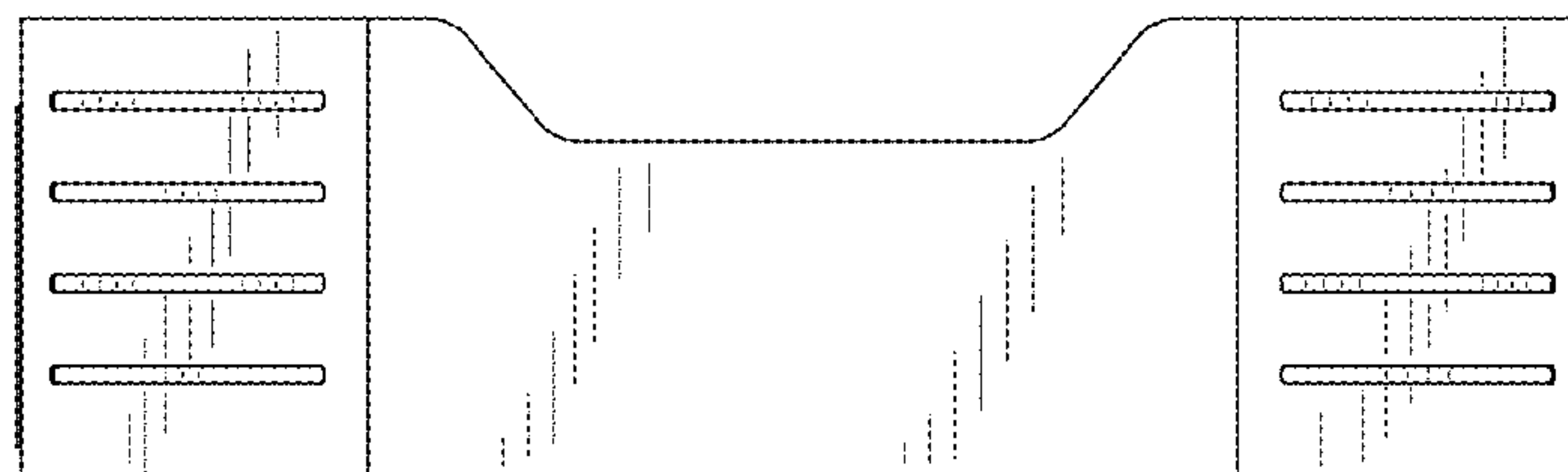


FIG. 4

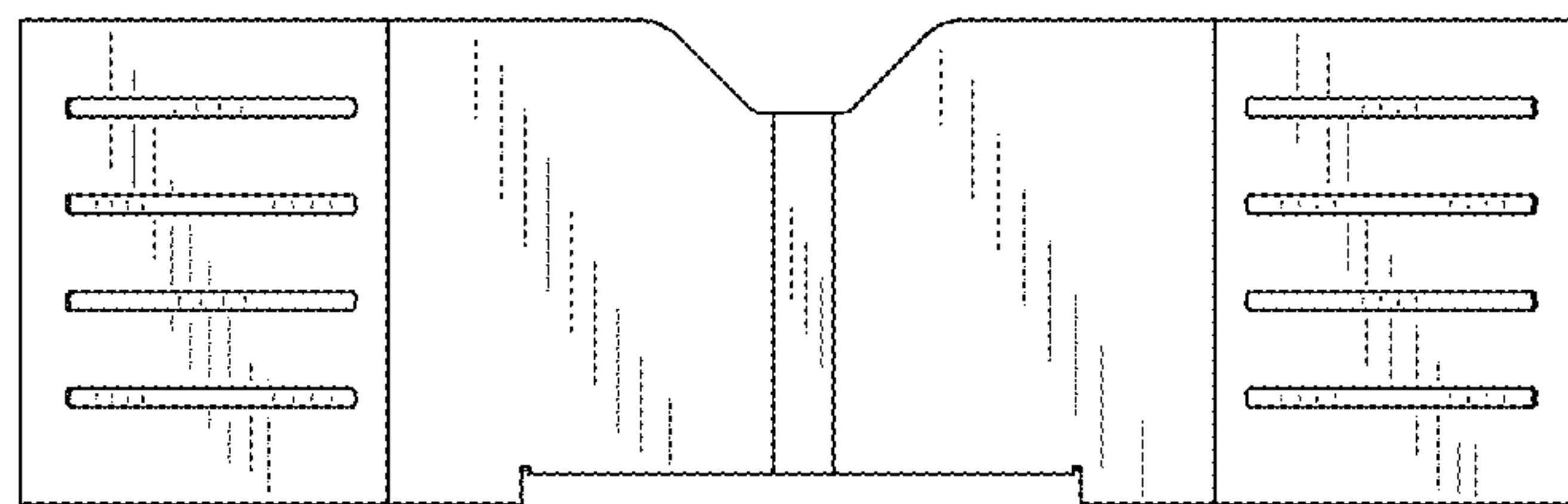


FIG. 5

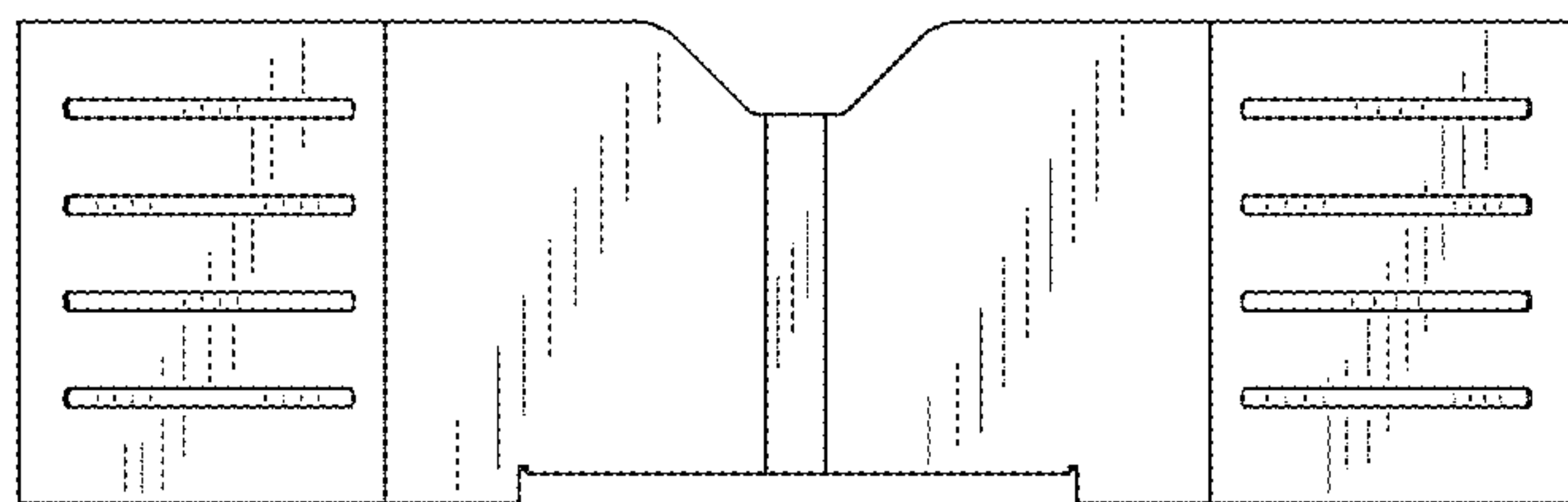


FIG. 6

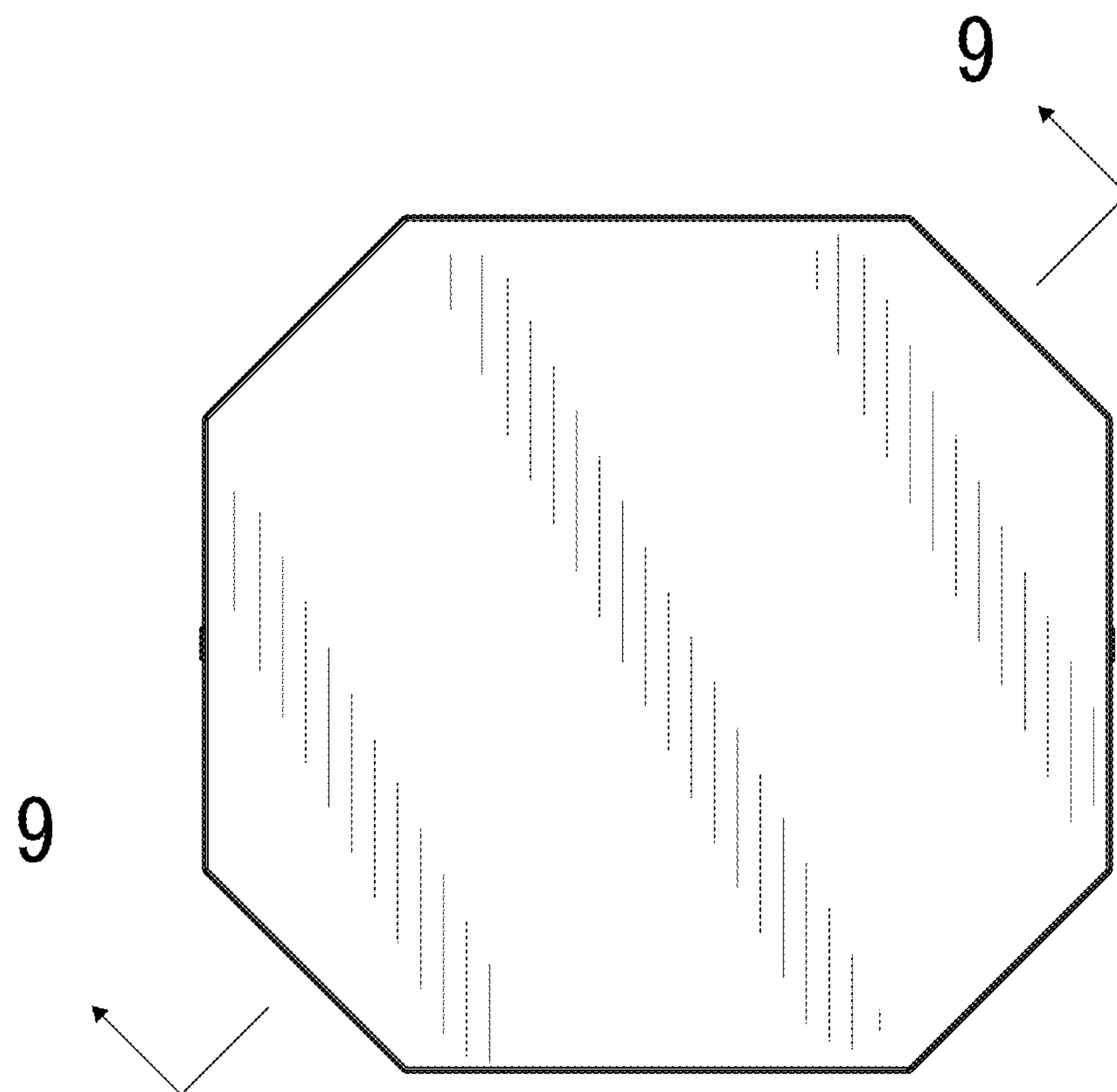


FIG. 7

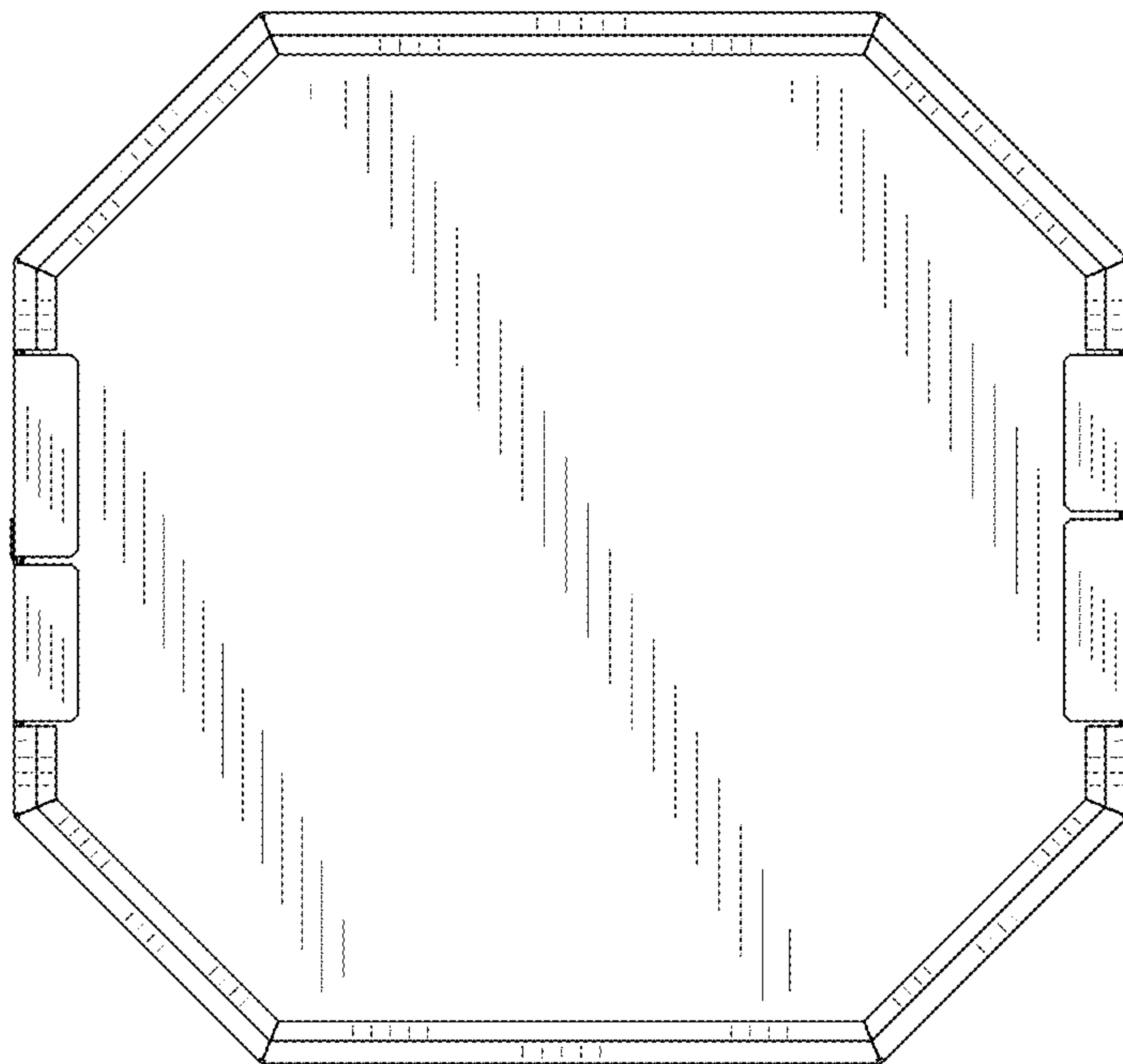




FIG. 8

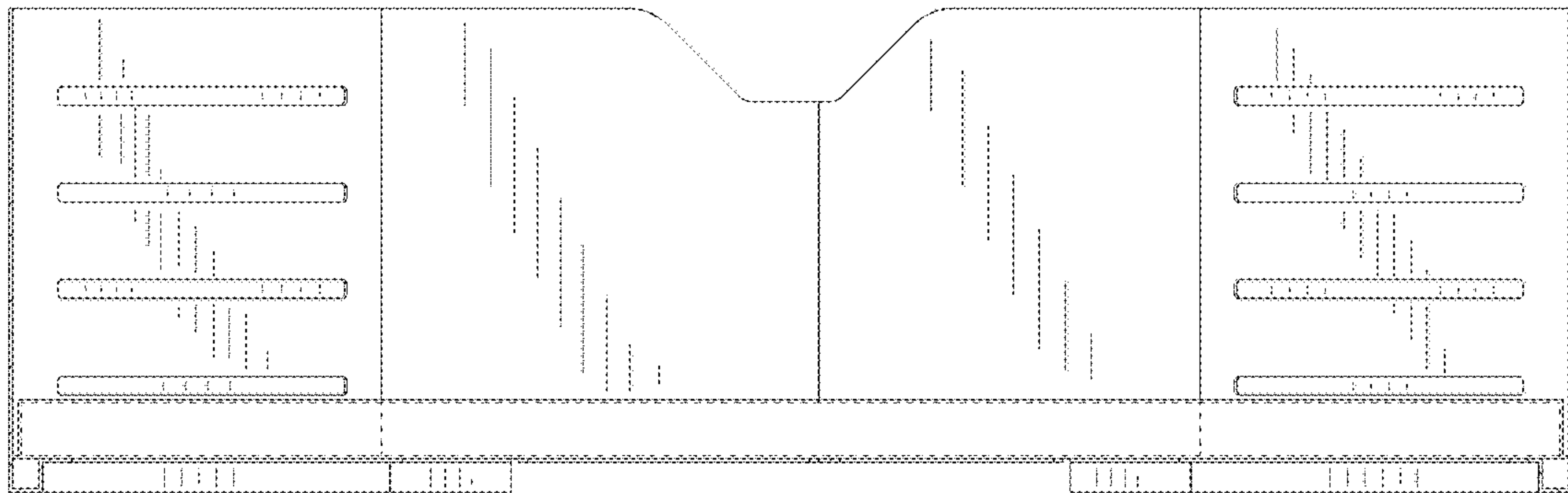


FIG. 9

