



US00D818269S

(12) **United States Design Patent** (10) **Patent No.:** **US D818,269 S**
Kao (45) **Date of Patent:** **** May 22, 2018**

(54) **BASE FOR TOOL MOUNT**
(71) Applicant: **Jui-Chien Kao**, Taichung (TW)
(72) Inventor: **Jui-Chien Kao**, Taichung (TW)
(**) Term: **15 Years**
(21) Appl. No.: **29/594,634**
(22) Filed: **Feb. 21, 2017**
(51) **LOC (11) Cl.** **03-01**
(52) **U.S. Cl.**
USPC **D3/313; D8/71**
(58) **Field of Classification Search**
USPC D3/226, 228, 245, 246, 283-284,
D3/303-304, 308, 313, 315, 319, 328;
D8/71, 349; D6/515, 567, 574, 675, 682,
D6/682.1
CPC B25H 3/003; B25H 3/006; B25H 3/06
See application file for complete search history.

D736,522 S * 8/2015 Hsieh D3/313
D747,165 S * 1/2016 VanderWoude D8/70
D748,395 S * 2/2016 Hsieh D3/313
D774,765 S * 12/2016 Hsieh D3/313
9,522,467 B1 * 12/2016 Kao A47F 7/0028
D787,185 S * 5/2017 Hsieh D3/313
9,694,491 B1 * 7/2017 Kao B25H 3/04
D803,566 S * 11/2017 Hsieh D3/312
9,821,451 B1 * 11/2017 Kao B25H 3/003
D804,227 S * 12/2017 Jung D6/703
9,878,441 B1 * 1/2018 Kao B25H 3/06
2011/0089126 A1 * 4/2011 Hsieh B25H 3/003
2017/0259425 A1 * 9/2017 Kao B25H 3/003
2017/0312910 A1 * 11/2017 Kao B25H 3/04
2017/0361453 A1 * 12/2017 Kao B25H 3/04

* cited by examiner

Primary Examiner — Darlington Ly
(74) *Attorney, Agent, or Firm* — WPAT, PC

(57) **CLAIM**

The ornamental design for a base for tool mount, as shown and described.

(56) **References Cited**

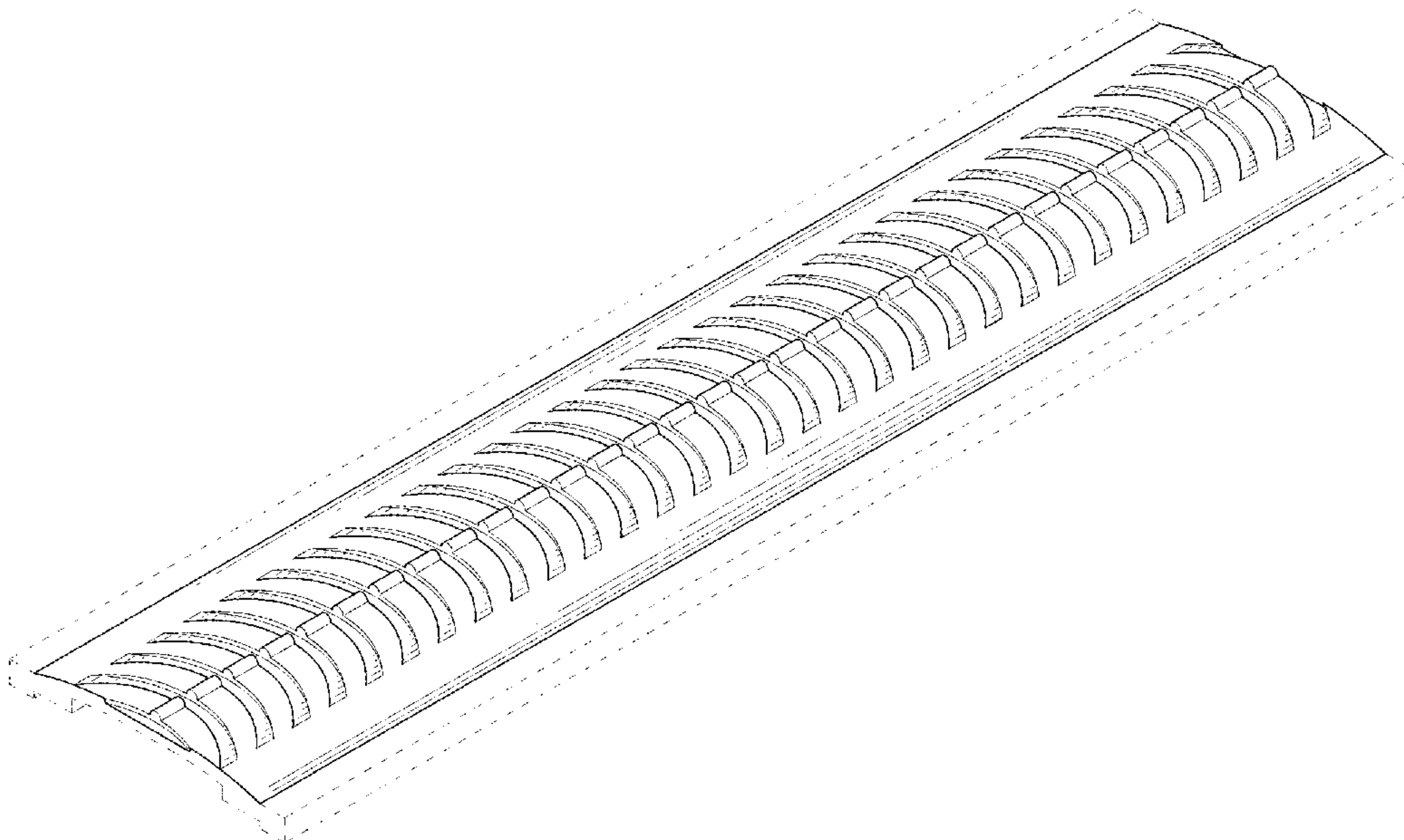
U.S. PATENT DOCUMENTS

D322,169 S * 12/1991 Mietelski D3/298
D342,880 S * 1/1994 Clancy D3/313
D352,219 S * 11/1994 Chow D8/71
D355,554 S * 2/1995 Phelps D6/567
D443,160 S * 6/2001 Ernst D6/553
D457,319 S * 5/2002 Fairchild D3/310
D644,915 S * 9/2011 Chen D8/354
8,727,118 B1 * 5/2014 Chen B25H 3/003
206/372
8,813,957 B1 * 8/2014 Kao B25H 3/003
206/378
D714,062 S * 9/2014 Chen D3/313
8,955,698 B2 * 2/2015 Hsieh B25H 3/04
206/378

DESCRIPTION

FIG. 1 is a top perspective view of a base for tool mount showing my new design;
FIG. 2 is front elevation view thereof;
FIG. 3 is a rear elevation view thereof;
FIG. 4 is a left side elevation view thereof;
FIG. 5 is a right side elevation view thereof; and,
FIG. 6 is a top plan view thereof.
The broken lines in the drawings illustrate portions of the base for tool mount that form no part of the claimed design.

1 Claim, 6 Drawing Sheets



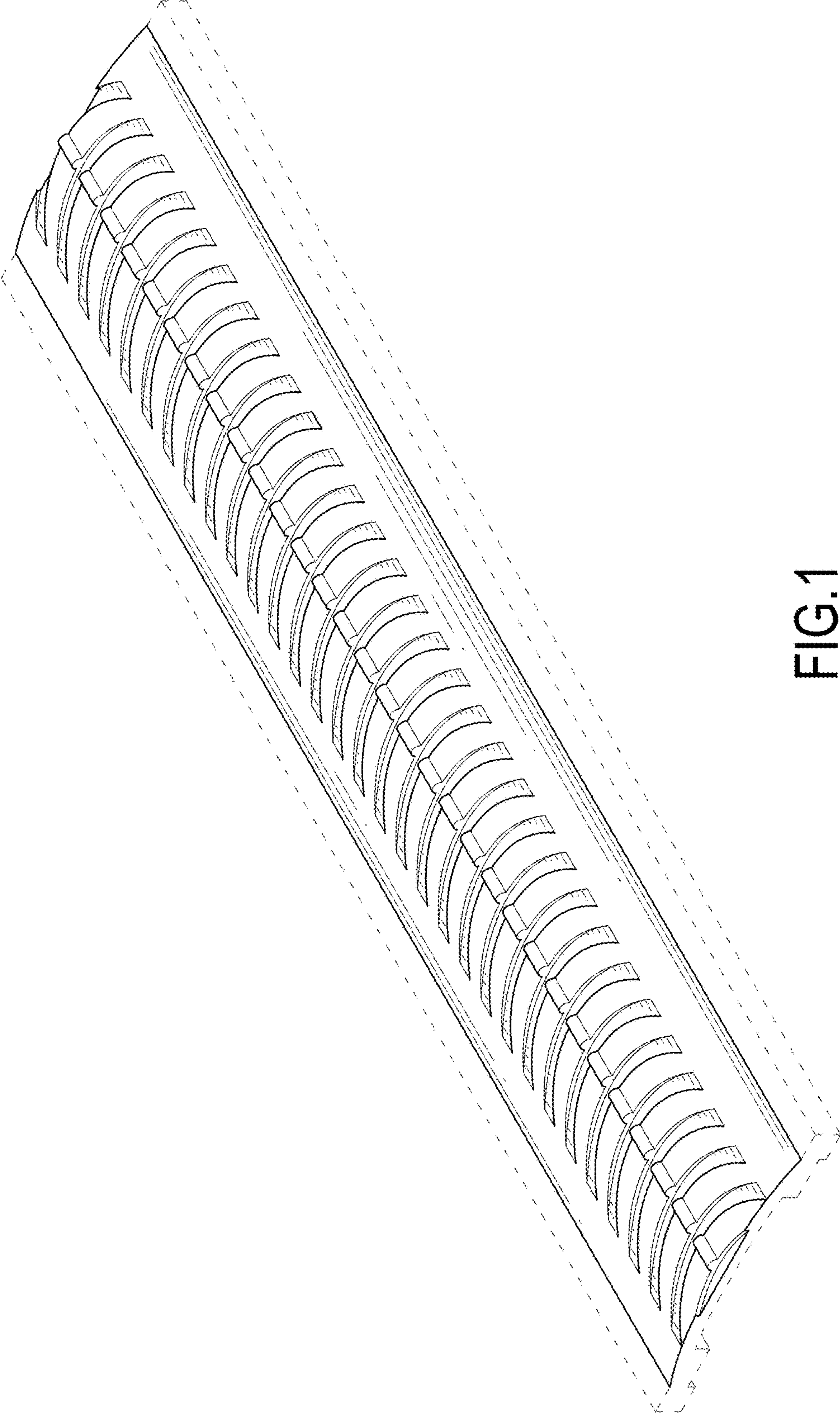


FIG.1



FIG.2

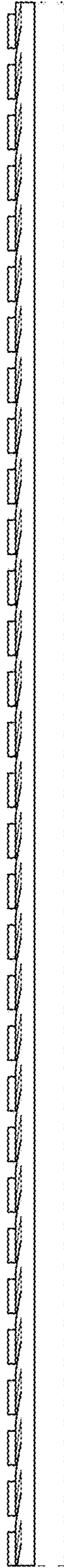


FIG.3

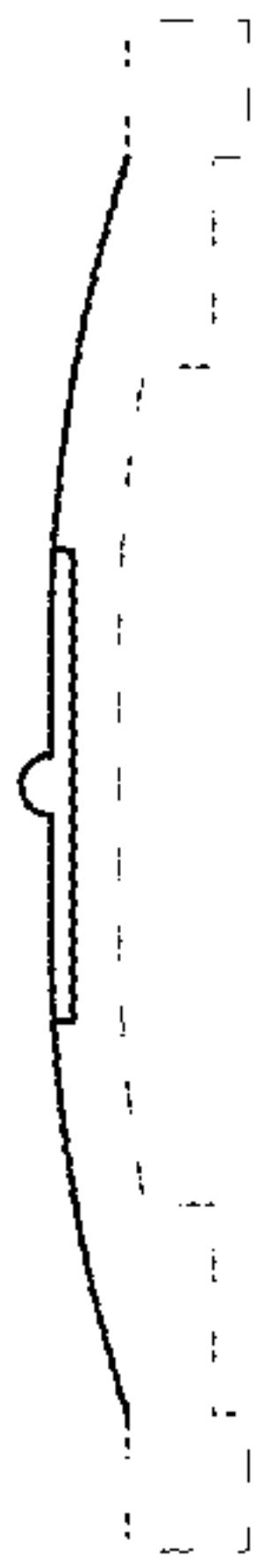


FIG.4

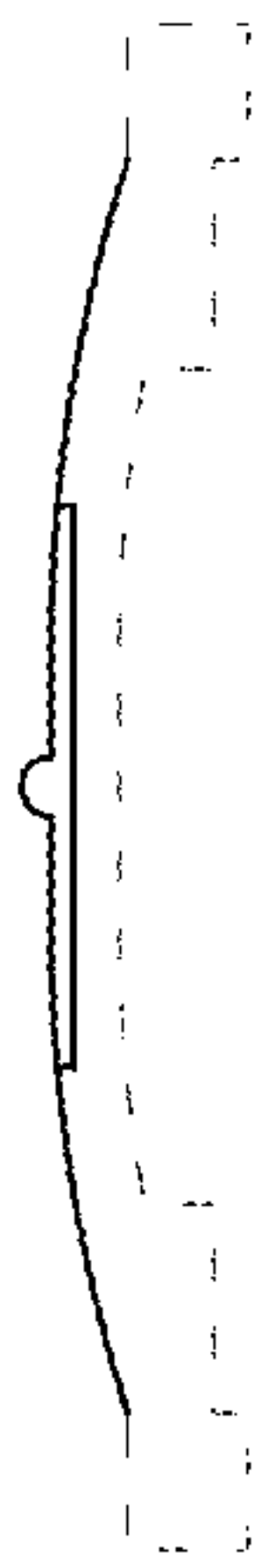


FIG.5

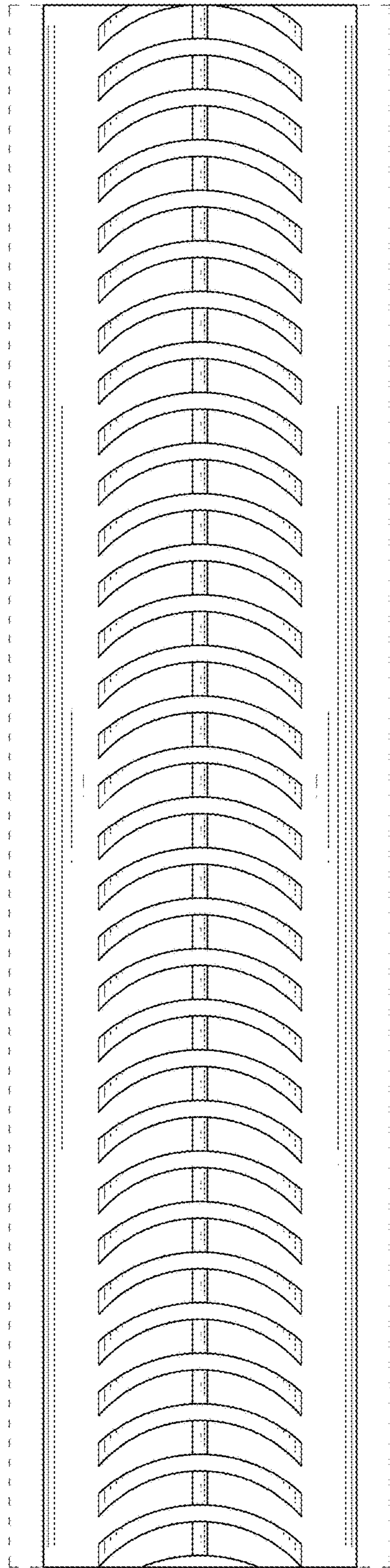


FIG.6