



US00D818267S

(12) **United States Design Patent**
Doyle et al.

(10) **Patent No.:** **US D818,267 S**
(45) **Date of Patent:** **** May 22, 2018**

- (54) **BAG**
- (71) Applicant: **James Purdey & Sons Limited**,
London (GB)
- (72) Inventors: **Alison Doyle**, Hessle (GB); **Simon Benton**, London (GB)
- (73) Assignee: **James Purdey & Sons Limited**,
London (GB)
- (**) Term: **15 Years**
- (21) Appl. No.: **29/588,750**
- (22) Filed: **Dec. 22, 2016**
- (30) **Foreign Application Priority Data**
Jul. 12, 2016 (EM) 003303270-0014
- (51) **LOC (11) Cl.** **03-01**
- (52) **U.S. Cl.**
USPC **D3/245**
- (58) **Field of Classification Search**
USPC D3/232-233, 240-243, 245-246
CPC A45C 1/024; A45C 3/06
See application file for complete search history.
- (56) **References Cited**
U.S. PATENT DOCUMENTS
5,813,504 A * 9/1998 Iny A45C 5/14
16/405
6,186,295 B1 * 2/2001 Lin A45C 13/262
190/115

- D463,124 S * 9/2002 Godshaw D3/318
- 6,942,077 B1 * 9/2005 Nykoluk A45C 5/14
16/113.1
- 6,978,514 B2 * 12/2005 Kuo A45C 13/262
16/113.1
- 7,461,730 B2 * 12/2008 Costa A45C 13/262
16/113.1
- 8,037,983 B2 * 10/2011 Leung A45C 13/262
16/113.1
- D702,442 S * 4/2014 Liang D3/318
- D758,068 S * 6/2016 Zwetzig D3/232
- D782,817 S * 4/2017 Graves D3/232

* cited by examiner

Primary Examiner — Holly H Baynham

(74) *Attorney, Agent, or Firm* — Fross Zelnick Lehrman & Zissu, P.C.; Lawrence E. Apolzon, Esq.

(57) **CLAIM**

The ornamental design for a bag, as shown and described.

DESCRIPTION

FIG. 1 is a front perspective view of a bag showing our new design;
 FIG. 2 is a front view thereof;
 FIG. 3 is a back view thereof;
 FIG. 4 is a left side view thereof;
 FIG. 5 is a right side view thereof;
 FIG. 6 is a top view thereof; and,
 FIG. 7 is a bottom view thereof.

The broken lines representing stitching are part of the claimed design.

1 Claim, 6 Drawing Sheets





FIG. 1

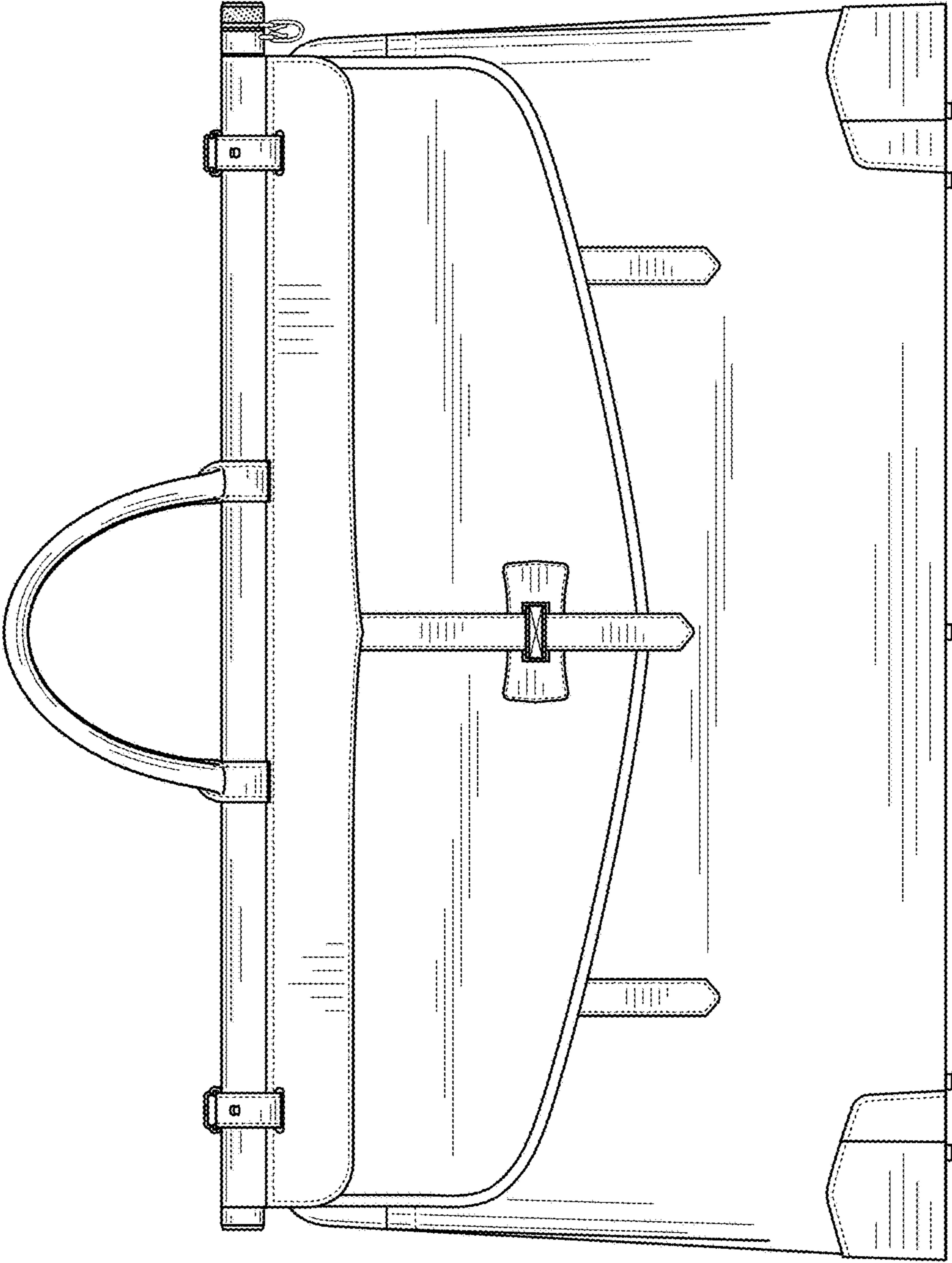


FIG. 2

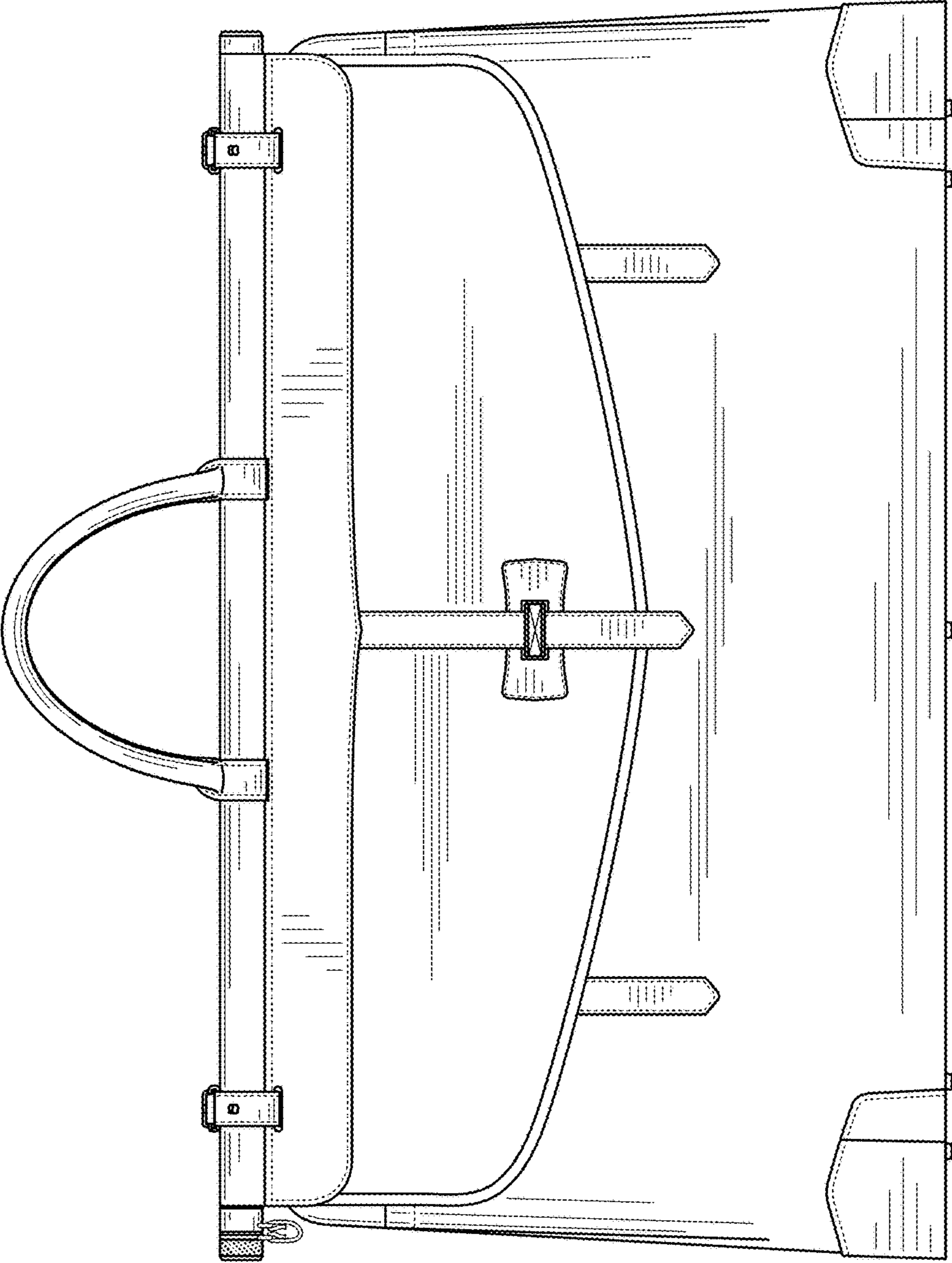


FIG. 3

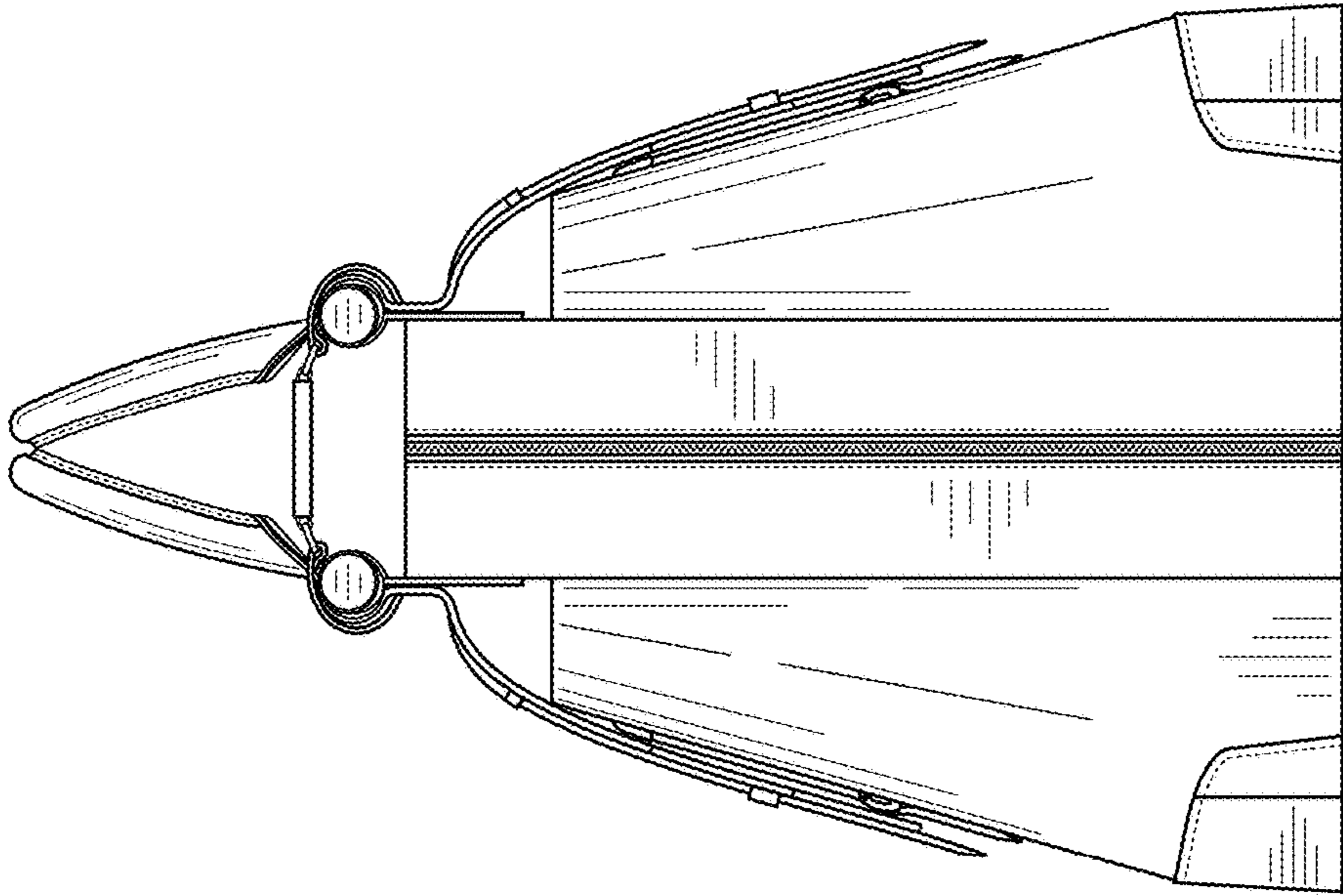


FIG. 5

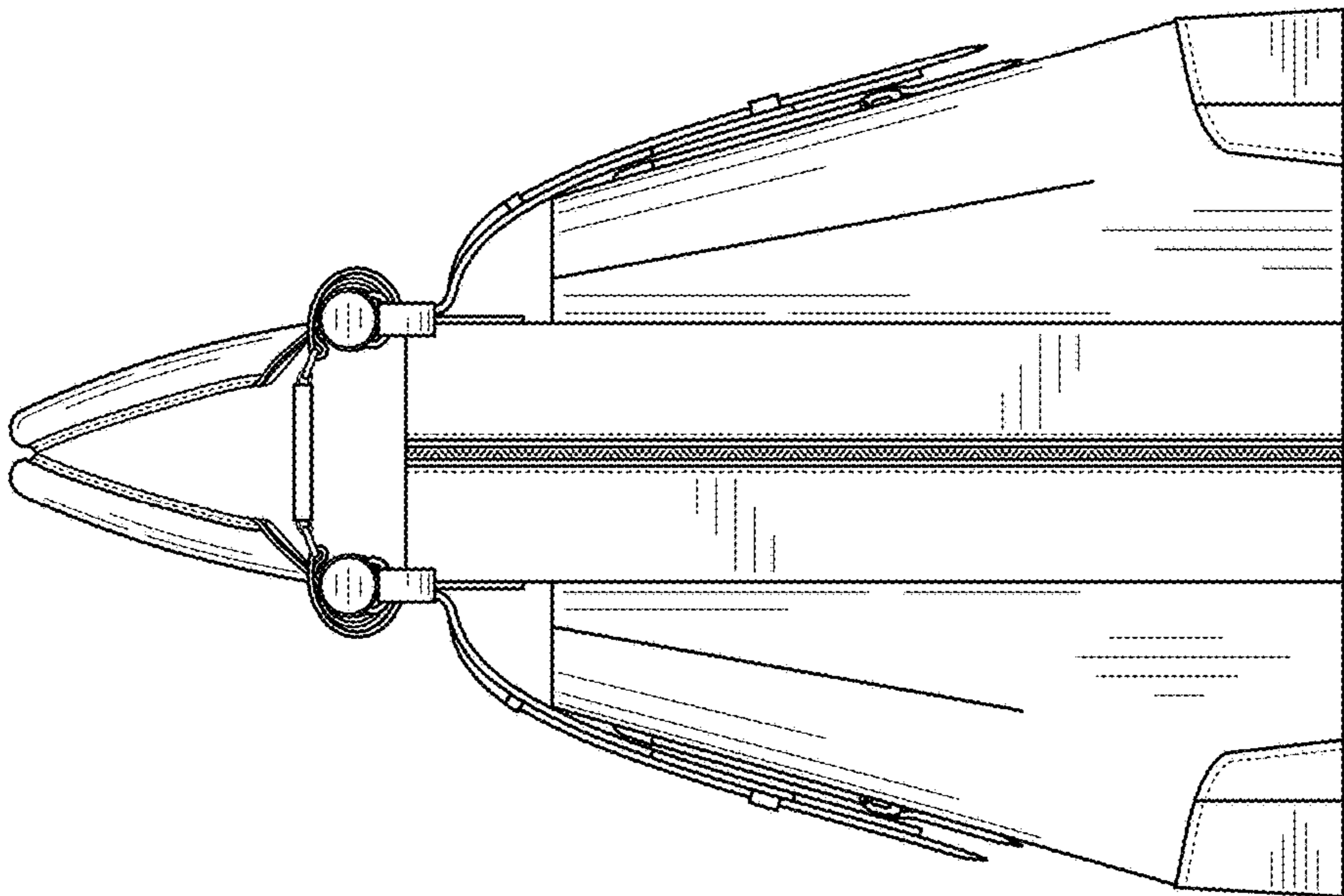


FIG. 4

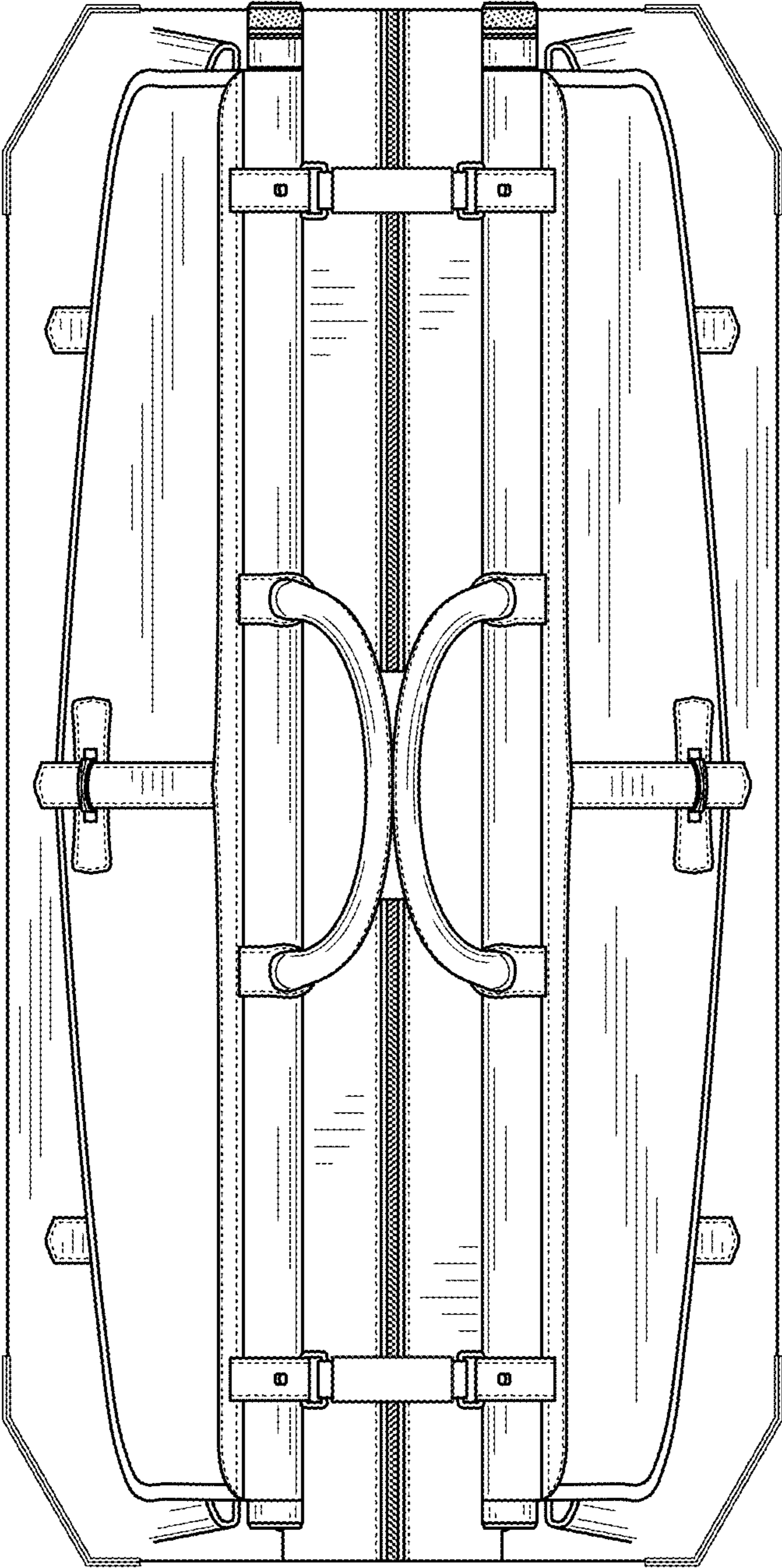


FIG. 6

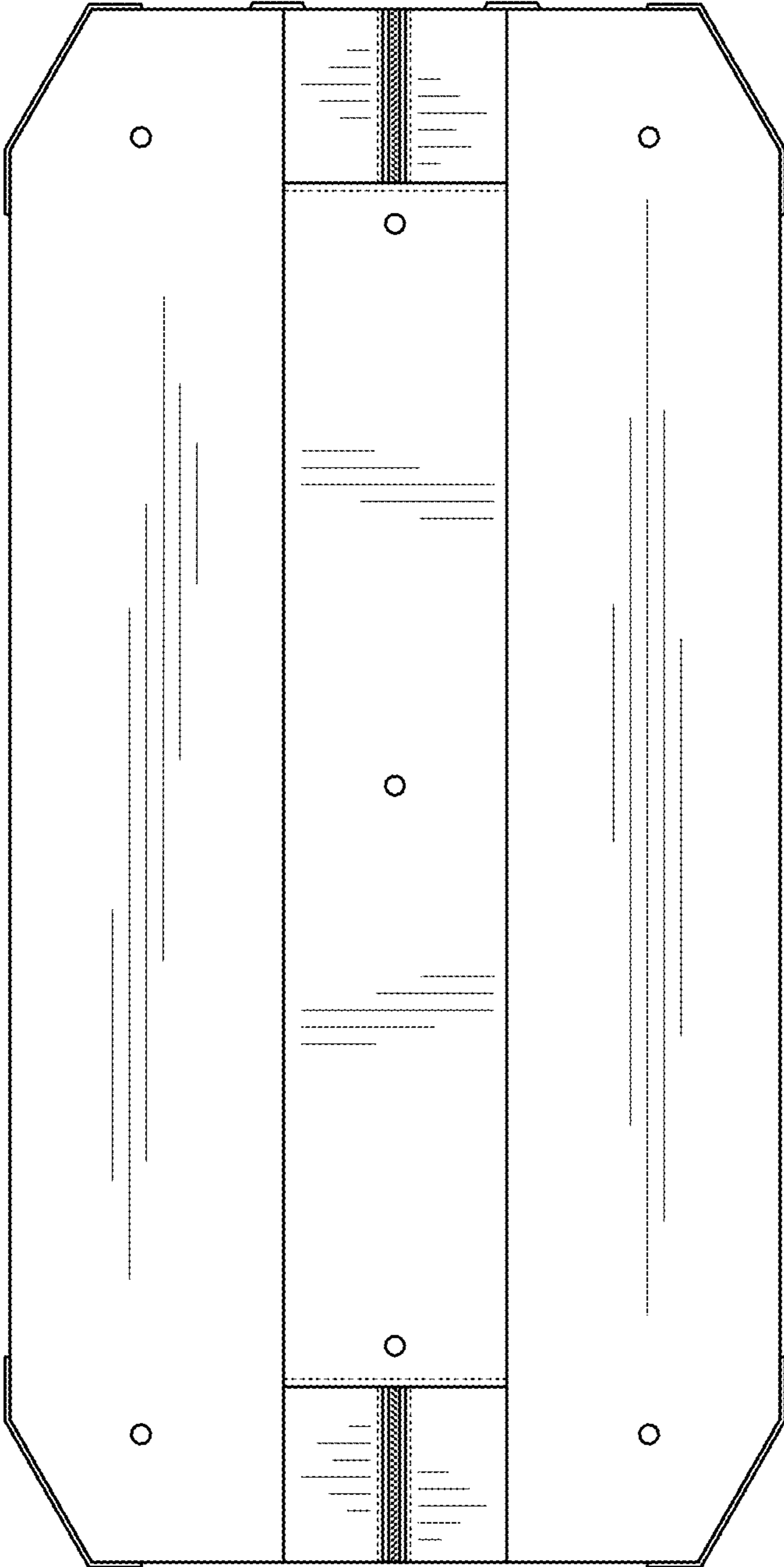


FIG. 7