



US00D818265S

(12) **United States Design Patent** (10) **Patent No.:** **US D818,265 S**
Hawkes (45) **Date of Patent:** **** May 22, 2018**

(54) **HANDBAG**
(71) Applicant: **Louis Vuitton Malletier**, Paris (FR)
(72) Inventor: **Erin Hawkes**, Paris (FR)
(73) Assignee: **LOUIS VUITTON MALLETIER**, Paris (FR)
(**) Term: **15 Years**
(21) Appl. No.: **29/608,936**
(22) Filed: **Jun. 27, 2017**

D783,278 S * 4/2017 Guyon D3/245
D787,181 S * 5/2017 Gale D3/245
D790,214 S * 6/2017 Gale D3/243
D799,209 S * 10/2017 Spaziani D3/245

(30) **Foreign Application Priority Data**

Dec. 28, 2016 (FR) 2016-6463

(51) **LOC (11) Cl.** **03-01**

(52) **U.S. Cl.**
USPC **D3/232**

(58) **Field of Classification Search**
USPC D3/232–233, 240–243, 245–246, 318
CPC A45C 1/024; A45C 3/06
See application file for complete search history.

(56) **References Cited**

U.S. PATENT DOCUMENTS

D461,953 S * 8/2002 Guyon D3/243
D504,227 S * 4/2005 Delafontaine D3/233
D539,032 S * 3/2007 Guyon D3/243
D572,470 S * 7/2008 Orietti Carella D3/232
D580,165 S * 11/2008 Pavlou D3/232
D694,006 S * 11/2013 Della Valle D3/245
D703,430 S * 4/2014 Della Valle D3/232
D779,197 S * 2/2017 Gale D3/243
D783,277 S * 4/2017 Spaziani D3/245

OTHER PUBLICATIONS

Louis Vuitton 2017 New Releases, by Heather Johnson, published Jan. 4, 2017, youtube.com [online], [retrieved Mar. 4, 2018]. Retrieved from internet <URL:https://www.youtube.com/watch?v=kISpNBUP9xk> (Year: 2017).*

* cited by examiner

Primary Examiner — Cathron C Brooks
Assistant Examiner — Andrew T Nemeth
(74) *Attorney, Agent, or Firm* — Finnegan, Henderson, Farabow, Garrett & Dunner LLP

(57) **CLAIM**

The ornamental design for a handbag, as shown and described.

DESCRIPTION

FIG. 1 is a top, front, left perspective view of a handbag showing my new design;
FIG. 2 is a front elevation view thereof;
FIG. 3 is rear elevation view thereof;
FIG. 4 is a top plan view thereof;
FIG. 5 is a bottom plan view thereof;
FIG. 6 is a left side view thereof; and,
FIG. 7 is a right side view thereof.
The broken lines shown in the drawings represent stitching and form part of the claimed design.

1 Claim, 7 Drawing Sheets





FIG. 1



FIG. 2



FIG. 3

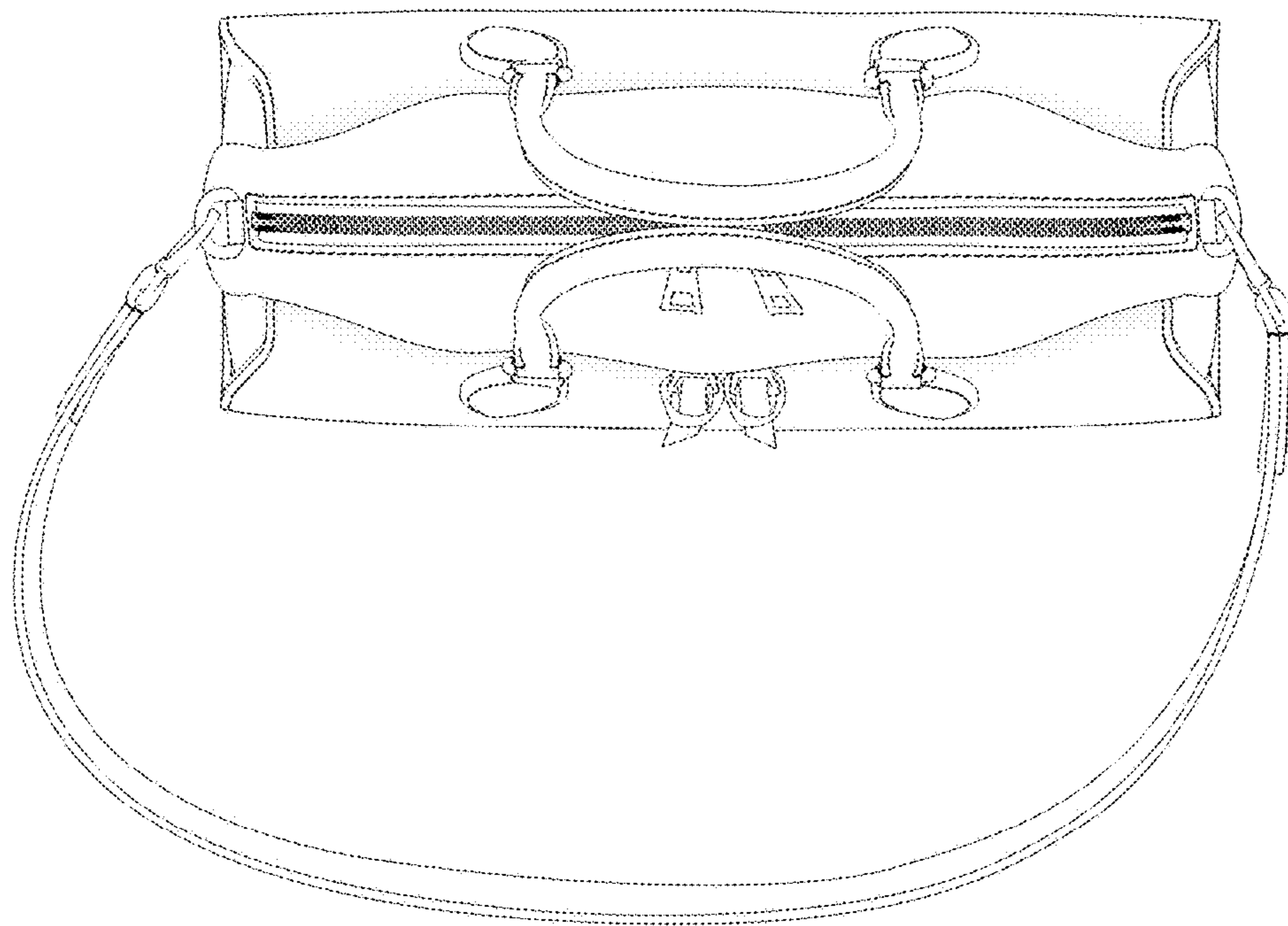


FIG. 4

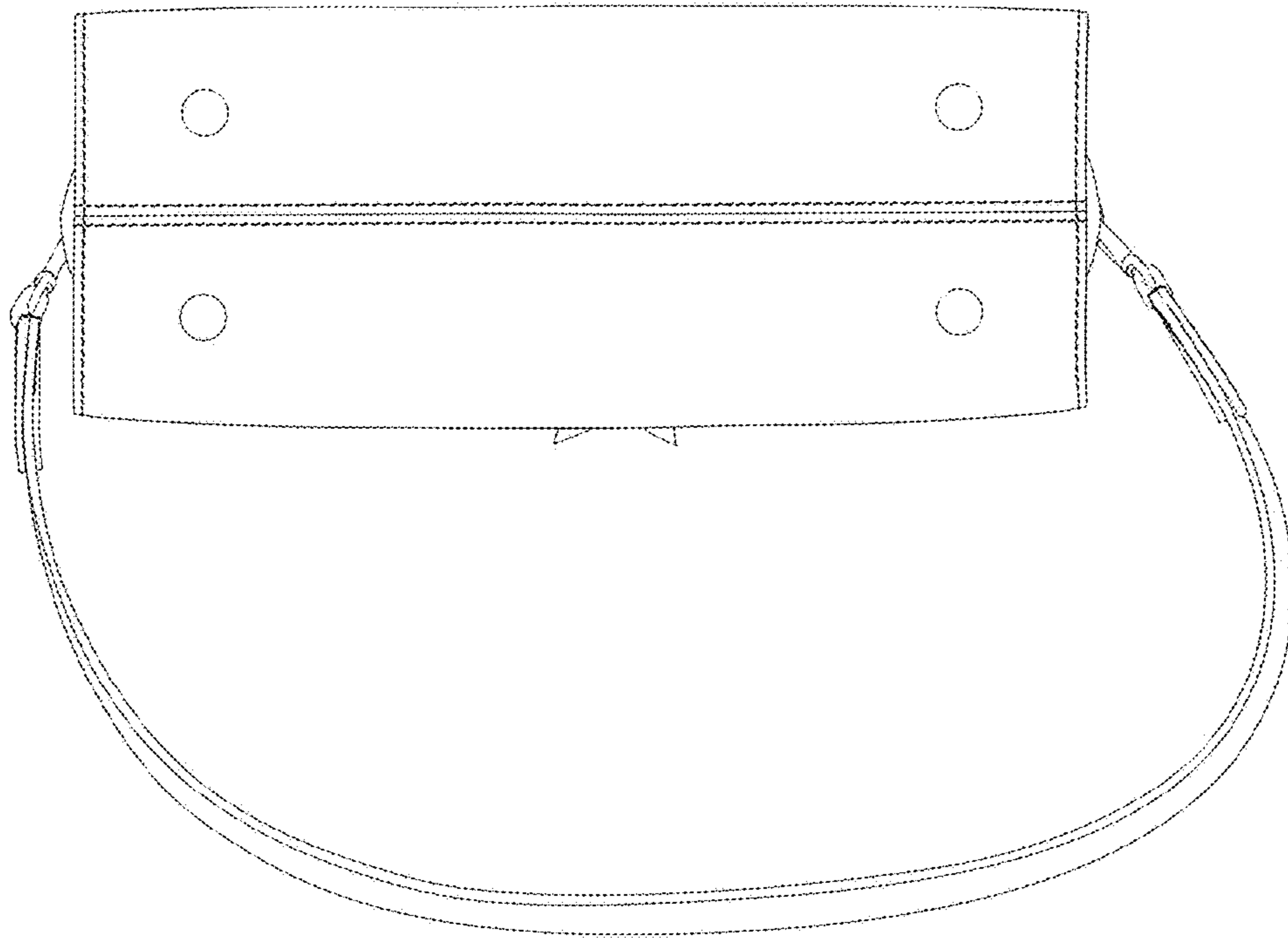


FIG. 5

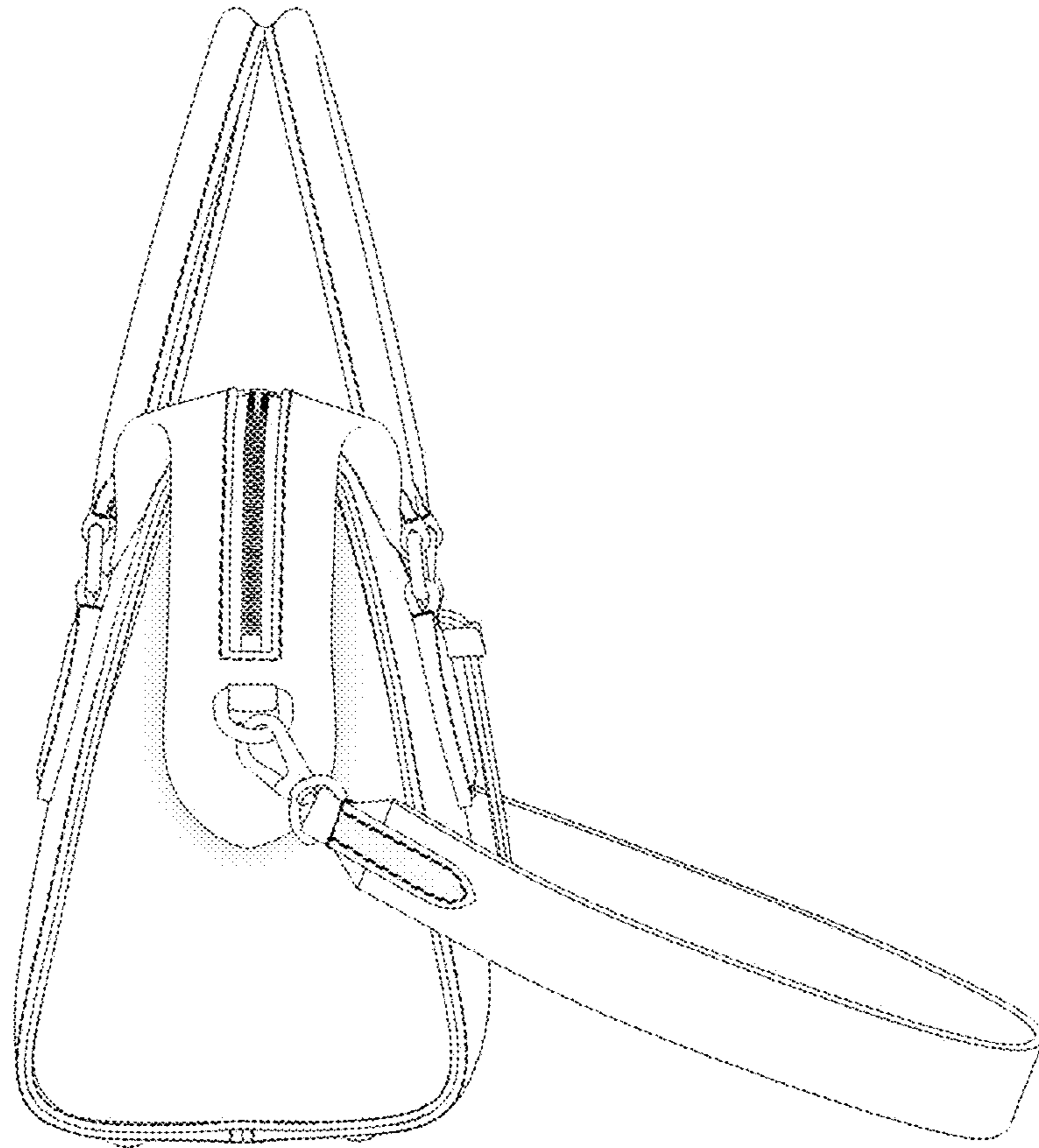


FIG. 6

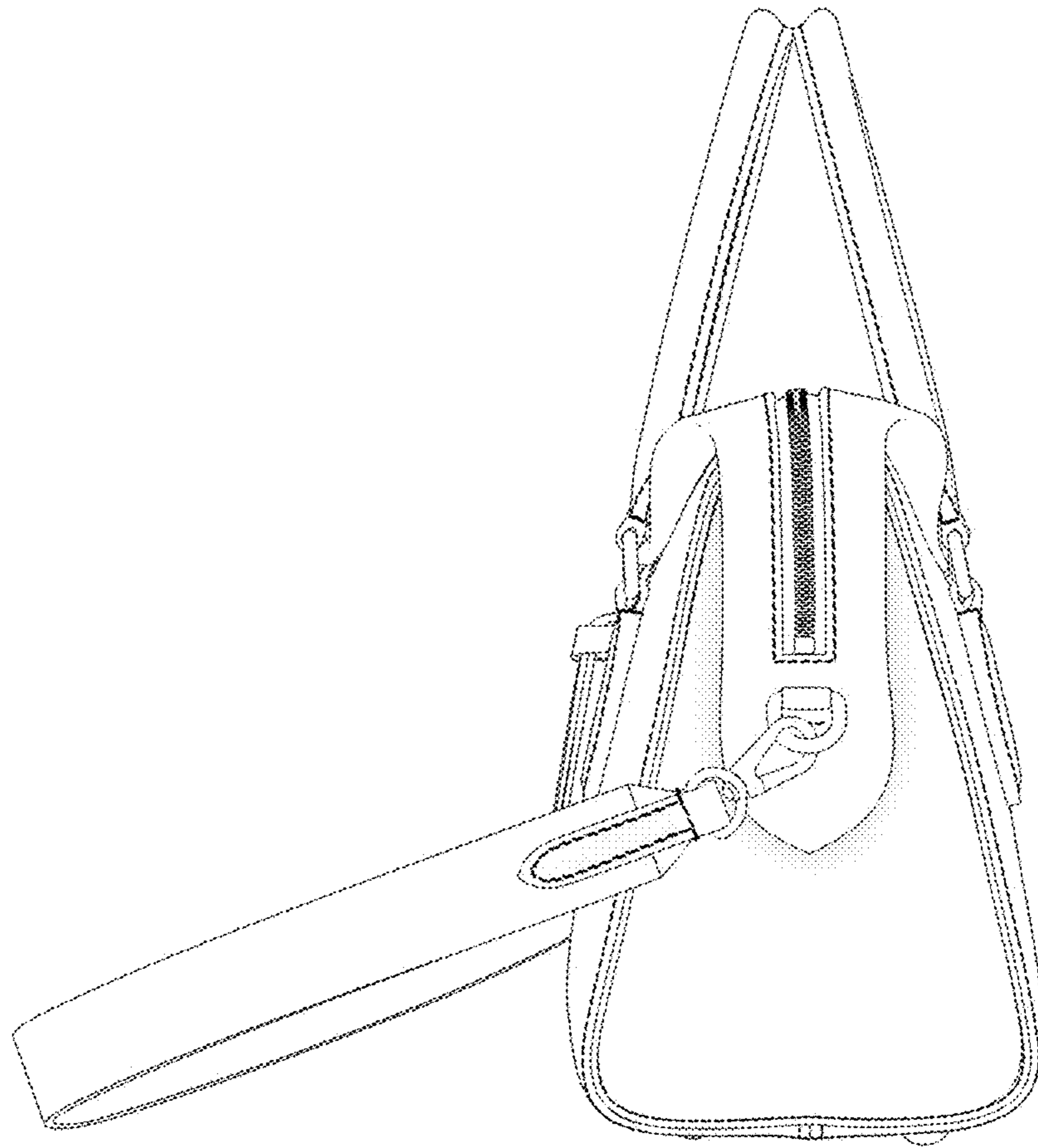


FIG. 7