



US00D818263S

(12) **United States Design Patent** (10) **Patent No.:** **US D818,263 S**
Broadhurst (45) **Date of Patent:** **** May 22, 2018**

(54) **PHONE HOLDING CASE**
(71) Applicant: **Anjanette Broadhurst**, Wildwood, FL (US)
(72) Inventor: **Anjanette Broadhurst**, Wildwood, FL (US)
(**) Term: **15 Years**

7,204,398 B1 4/2007 Smith, Sr.
D602,689 S 10/2009 Hewitt
D629,192 S * 12/2010 Pueblo D3/218
D631,650 S * 2/2011 Li D3/218
8,157,140 B2 4/2012 Jay
9,532,639 B2 * 1/2017 Kimble A45F 5/00
D782,184 S * 3/2017 Harris D3/218
2001/0027834 A1 10/2001 Southwick
2013/0190053 A1 7/2013 Kelly
2015/0129095 A1 5/2015 Marin

(21) Appl. No.: **29/596,635**
(22) Filed: **Mar. 9, 2017**
(51) **LOC (11) Cl.** **03-01**
(52) **U.S. Cl.**
USPC **D3/218**
(58) **Field of Classification Search**
USPC D3/218, 201, 219, 269, 303, 215;
206/305, 320; 455/566, 575.1-575.8;
224/254, 257, 578, 610, 675
CPC A45C 11/00; A45F 5/00; A45F 2005/006;
A45F 2200/0516; A45F 2200/0525
See application file for complete search history.

FOREIGN PATENT DOCUMENTS

WO WO2011049591 4/2011
* cited by examiner

Primary Examiner — Catherine R Oliver-Garcia

(57) **CLAIM**

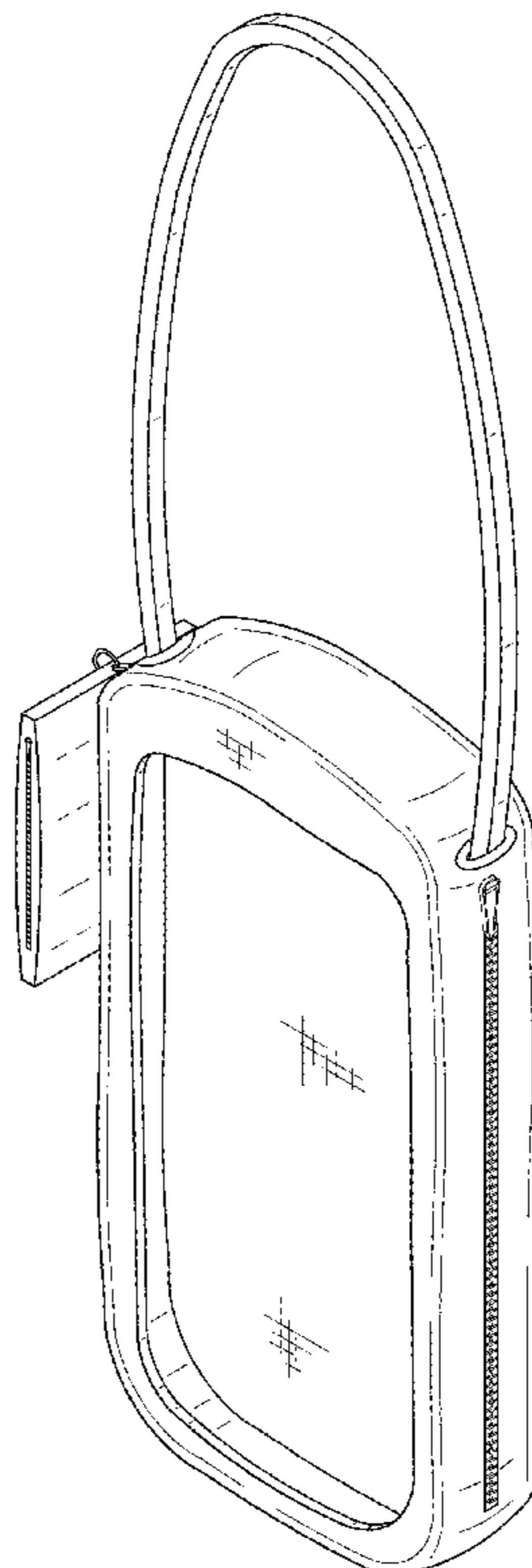
The ornamental design for a phone holding case, as shown and described.

DESCRIPTION

FIG. 1 is a front view of a phone holding case showing my new design;
FIG. 2 is a rear view of the phone holding case;
FIG. 3 is a side view of the phone holding case;
FIG. 4 is a right side view of the phone holding case;
FIG. 5 is a top view of the phone holding case;
FIG. 6 is a bottom view of the phone holding case; and,
FIG. 7 is a top front side perspective view of the phone holding case.

(56) **References Cited**
U.S. PATENT DOCUMENTS
4,141,401 A * 2/1979 Hindemit A45C 11/00
206/305
6,227,361 B1 * 5/2001 Salazar A45C 11/00
206/305
D495,874 S * 9/2004 Kamiya D3/218
7,090,076 B2 8/2006 Hartstein et al.

1 Claim, 5 Drawing Sheets



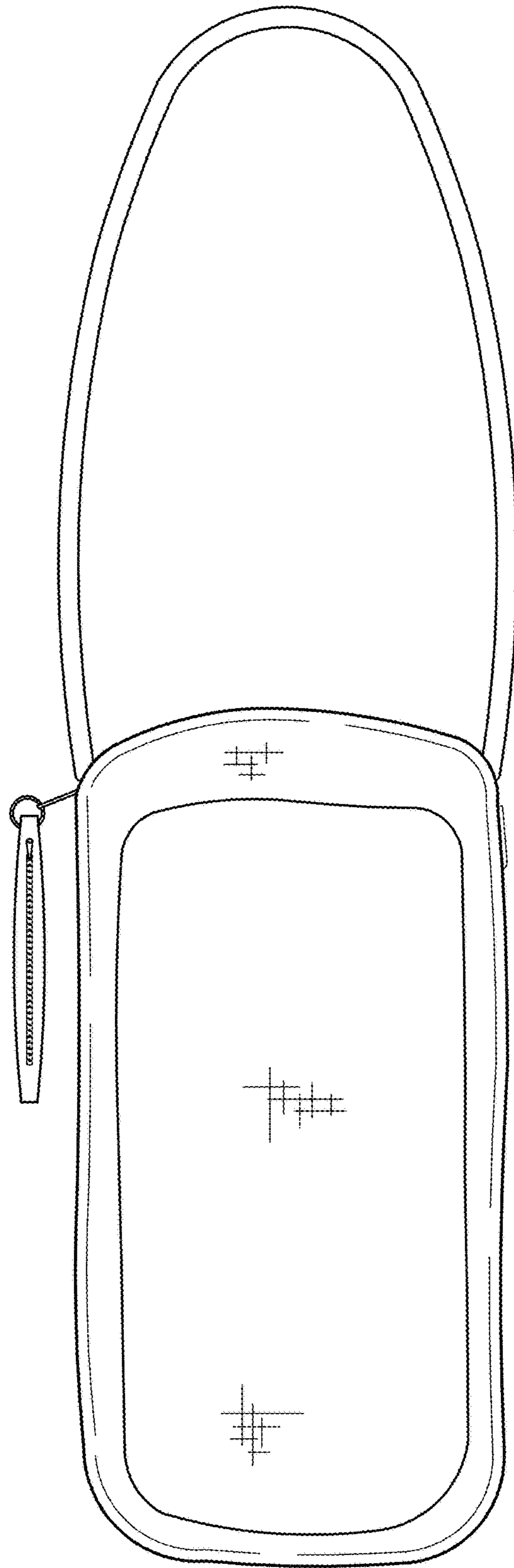


FIG. 1

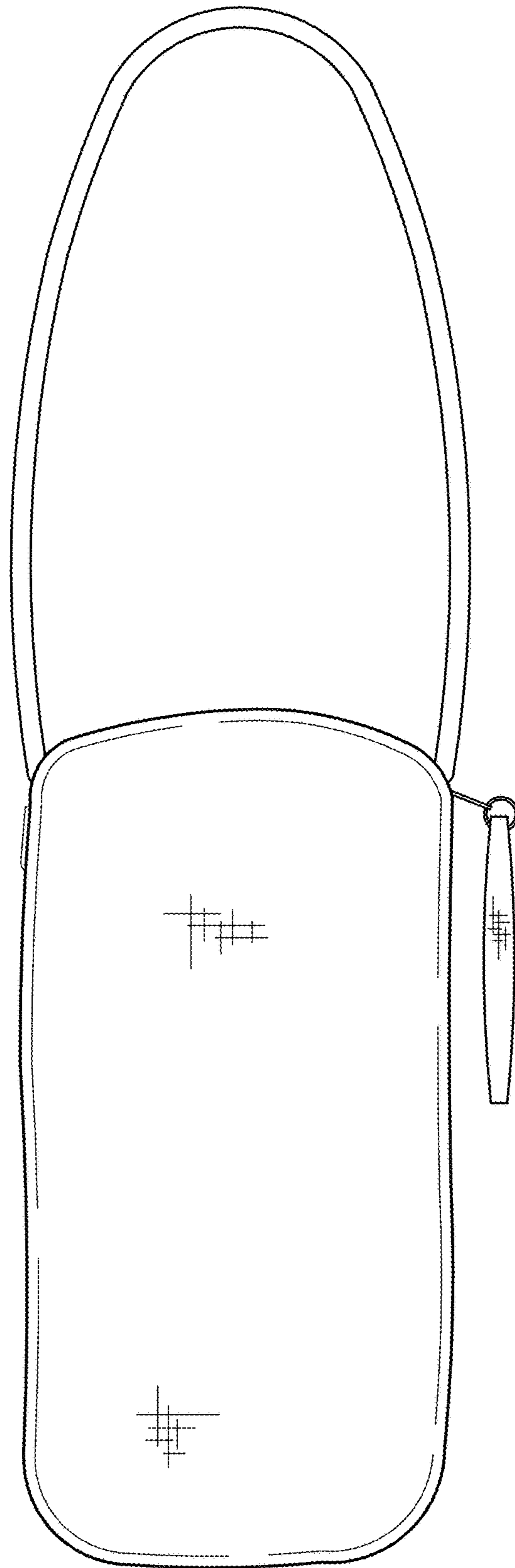


FIG. 2

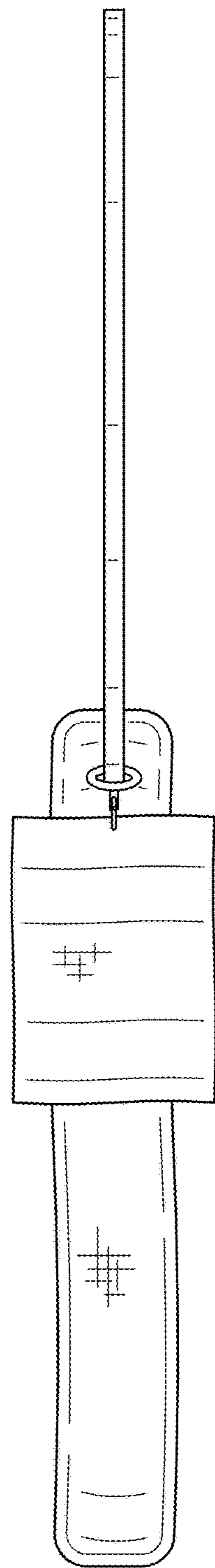


FIG. 3

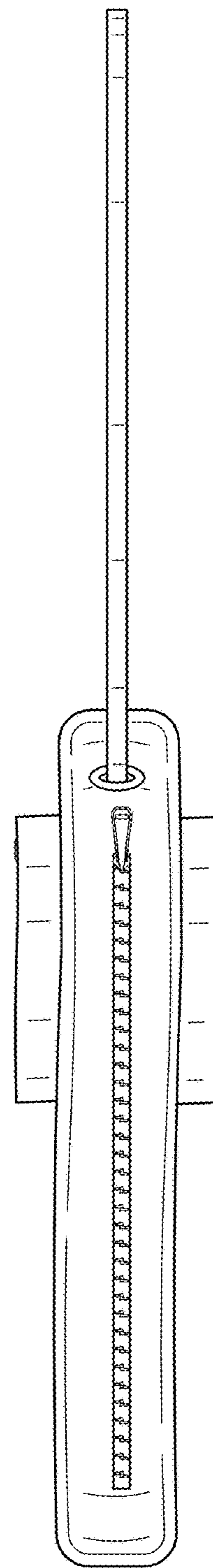


FIG. 4

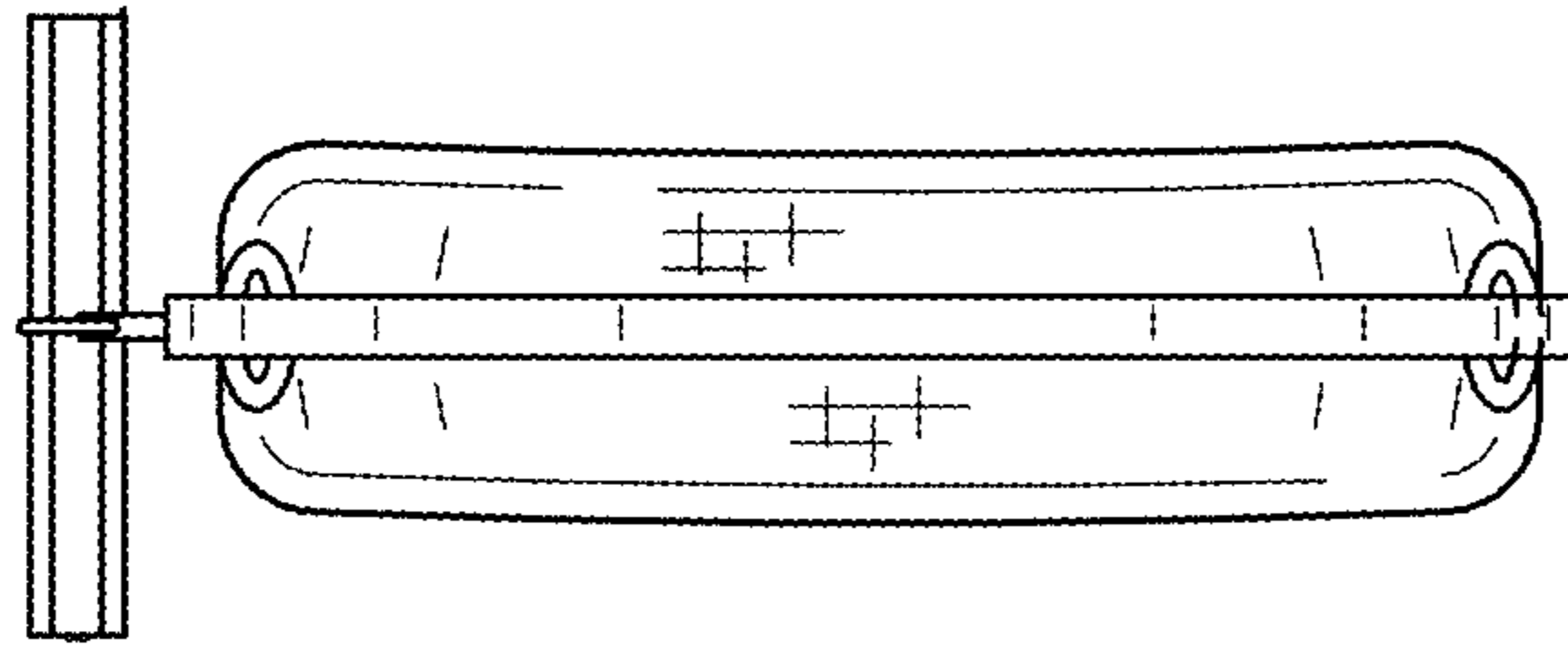


FIG. 5

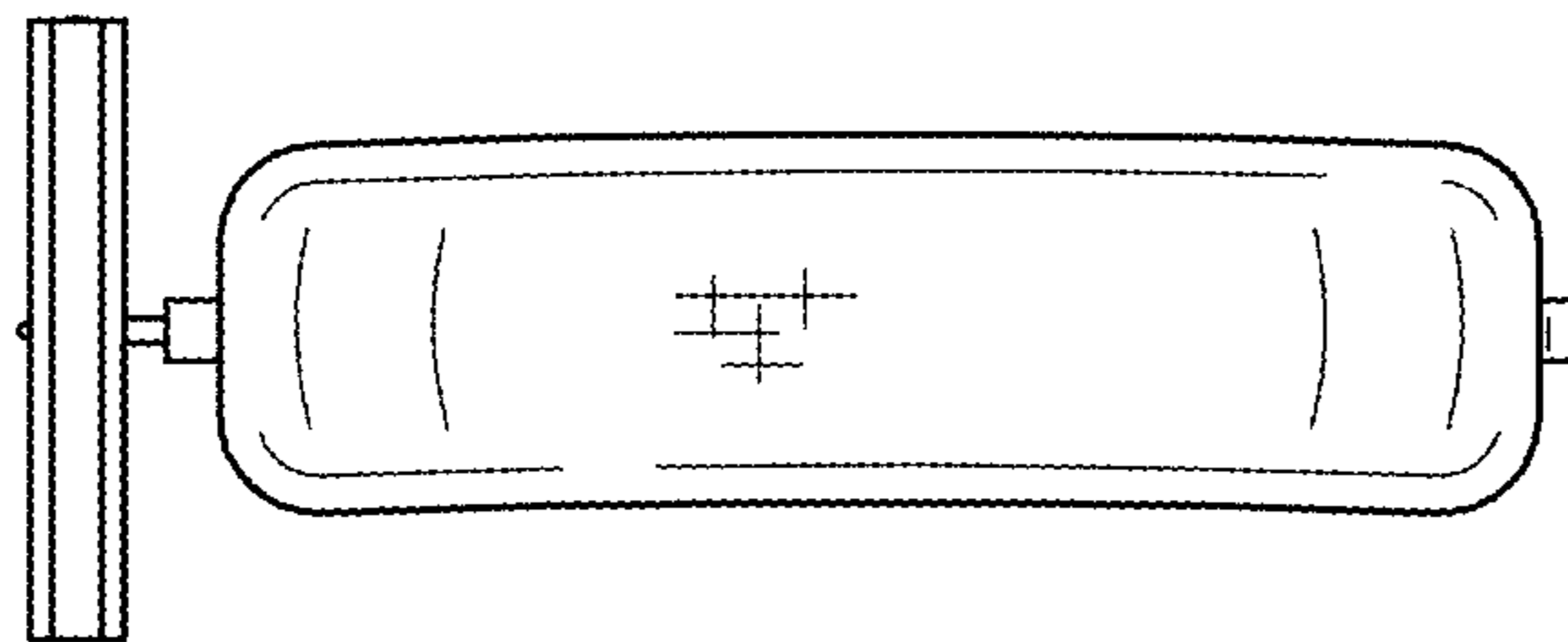


FIG. 6

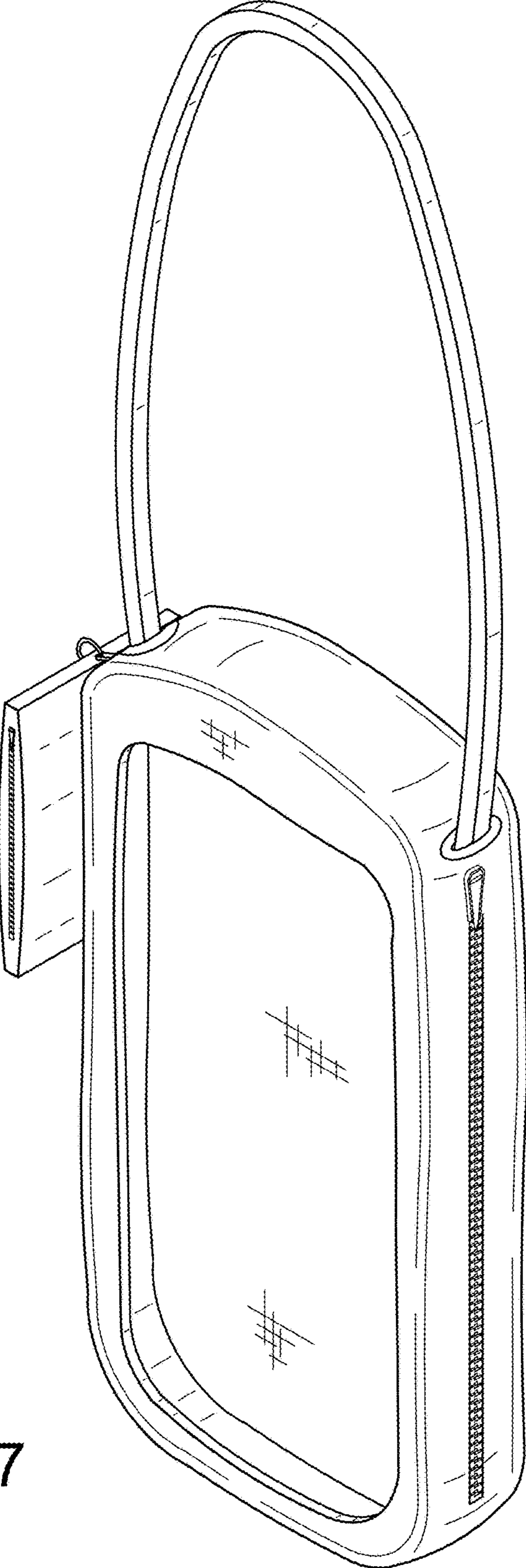


FIG. 7