



US00D818259S

(12) **United States Design Patent**
Ye

(10) **Patent No.:** **US D818,259 S**

(45) **Date of Patent:** **** May 22, 2018**

(54) **UMBRELLA HANDLE**

(71) Applicant: **Ying Ye**, Maidenhead (GB)

(72) Inventor: **Ying Ye**, Maidenhead (GB)

(**) Term: **15 Years**

(21) Appl. No.: **29/600,368**

(22) Filed: **Apr. 12, 2017**

(51) **LOC (11) Cl.** **03-03**

(52) **U.S. Cl.**
USPC **D3/12**

(58) **Field of Classification Search**
USPC D3/5, 6, 10, 12, 16
CPC A45B 9/02; A45B 2009/025; A45B
2200/1081

See application file for complete search history.

(56) **References Cited**

U.S. PATENT DOCUMENTS

D433,794 S *	11/2000	San	D3/12
D540,028 S *	4/2007	You	D3/16
D648,933 S *	11/2011	Roher	D3/12
D670,901 S *	11/2012	Rothbucher	D3/10
D692,652 S *	11/2013	Headley	D3/12
D693,113 S *	11/2013	Pearson	D3/12
D723,791 S *	3/2015	Headley	D3/12
D729,510 S *	5/2015	Headley	D3/12
D746,042 S *	12/2015	Kerr	D3/12
D773,173 S *	12/2016	Headley	D3/12
D774,746 S *	12/2016	Headley	D3/12

D791,469 S *	7/2017	Ye	D3/12
D791,470 S *	7/2017	Ye	D3/12
9,867,436 B2 *	1/2018	Lenhart	A45B 9/02
2011/0126379 A1 *	6/2011	Huang	A45B 3/04
				16/110.1
2012/0012141 A1 *	1/2012	Pietrzak	A45B 9/02
				135/66
2015/0251077 A1 *	9/2015	Pedersen	A63C 11/222
				280/821

* cited by examiner

Primary Examiner — John Windmuller

Assistant Examiner — Steven J Czyz

(57) **CLAIM**

The ornamental design for an umbrella handle, as shown and described.

DESCRIPTION

FIG. 1 is a back perspective view of an umbrella handle showing my new design;

FIG. 2 is a front perspective view thereof;

FIG. 3 is a front view thereof;

FIG. 4 is a rear view thereof;

FIG. 5 is a left side view thereof;

FIG. 6 is a right side view thereof;

FIG. 7 is a top view thereof; and,

FIG. 8 is a bottom view thereof.

The broken lines depict portions of the article that form no part of the claimed design.

1 Claim, 7 Drawing Sheets

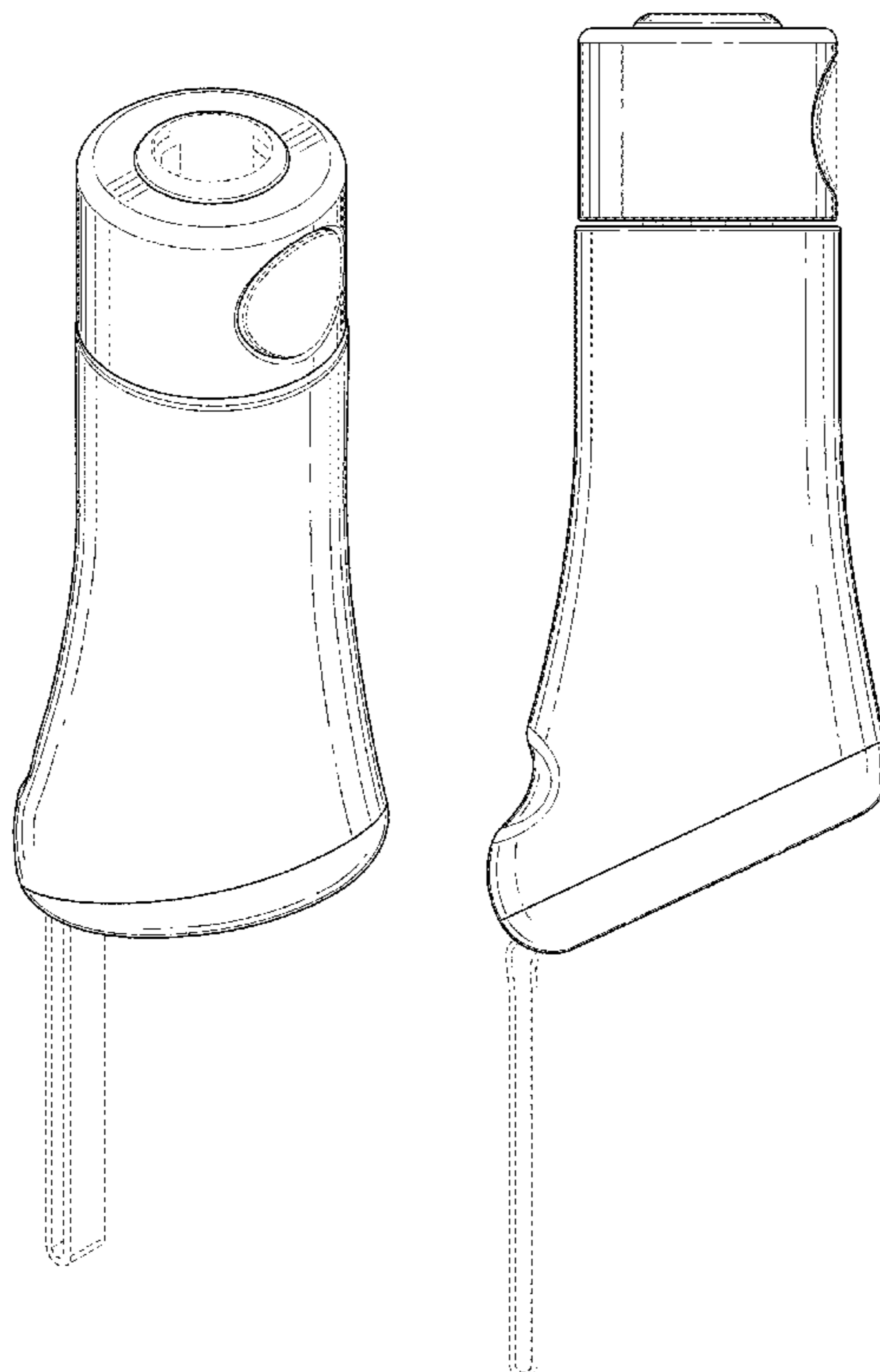




FIG. 1

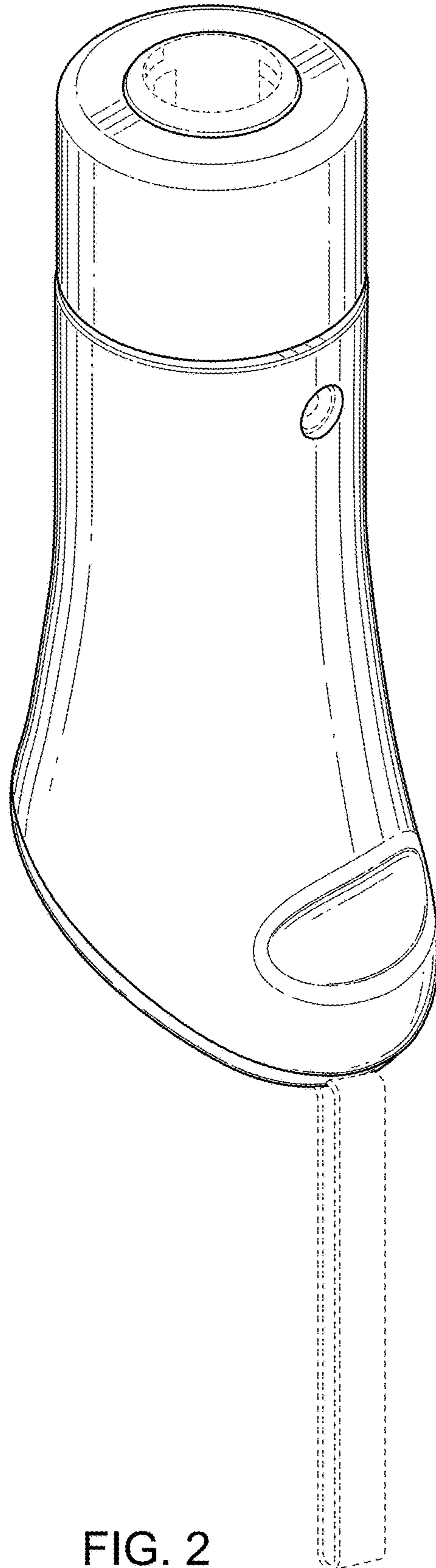


FIG. 2

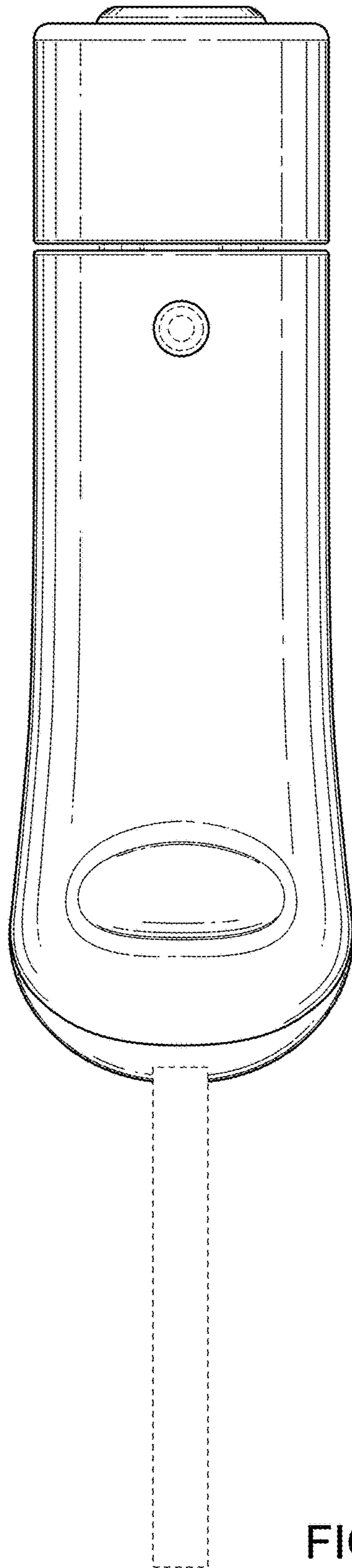


FIG. 3

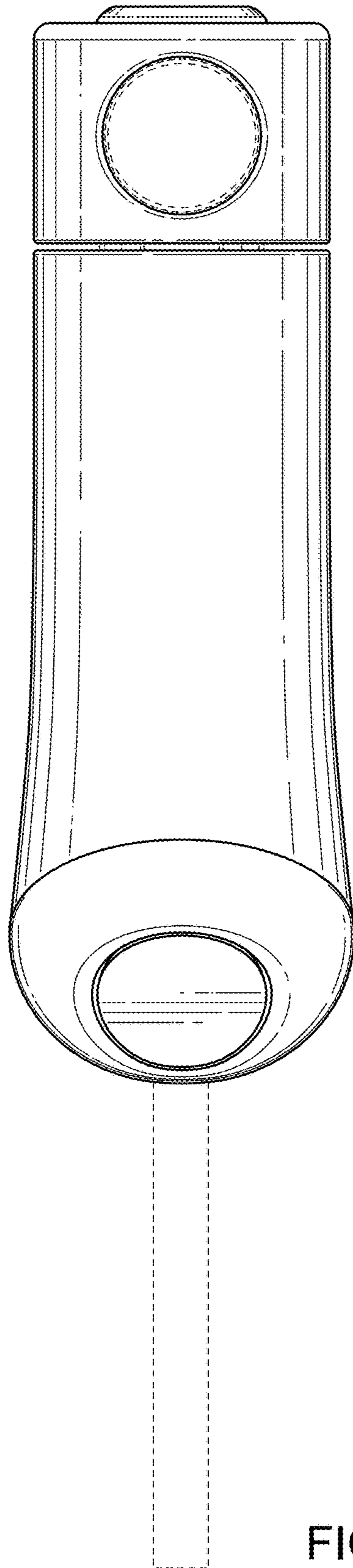


FIG. 4

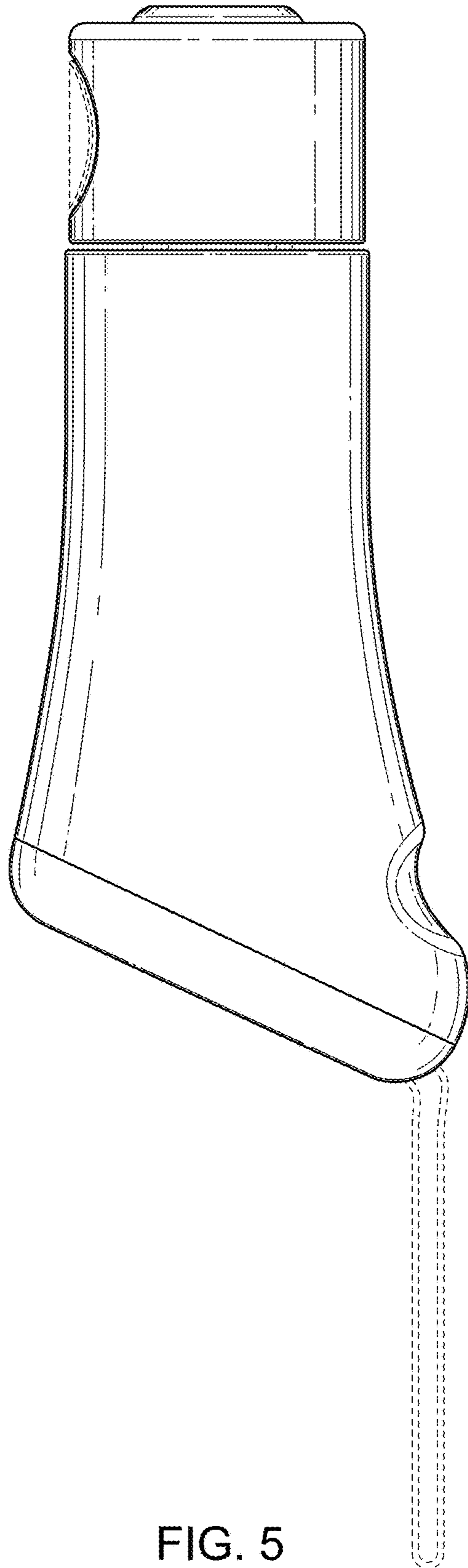


FIG. 5

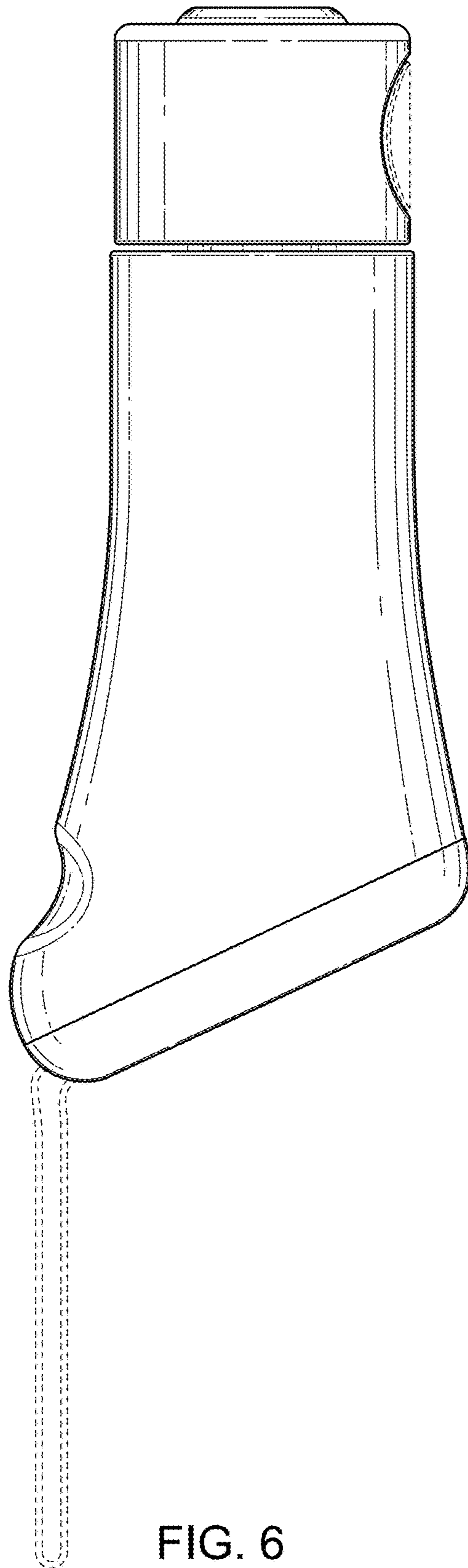


FIG. 6

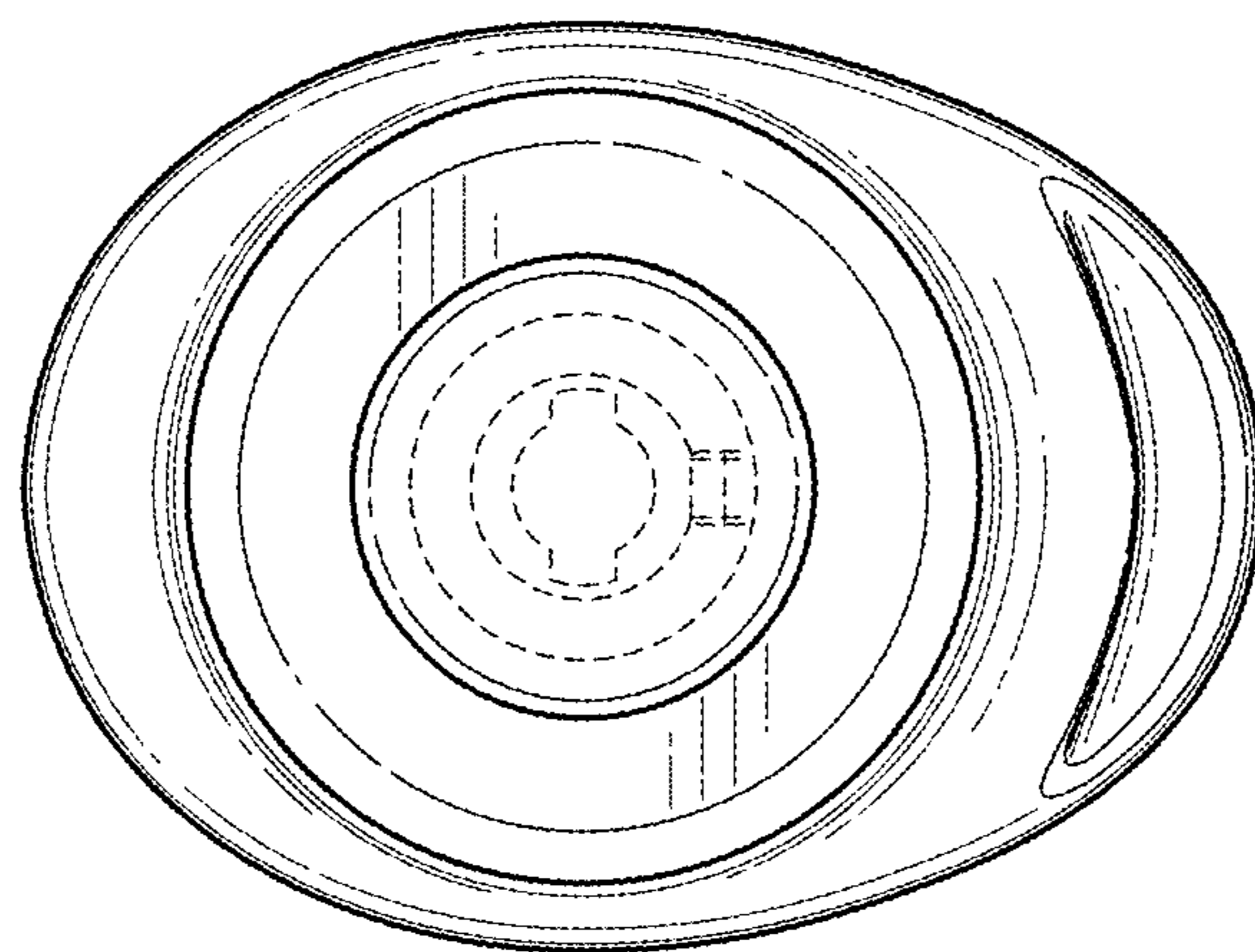


FIG. 7

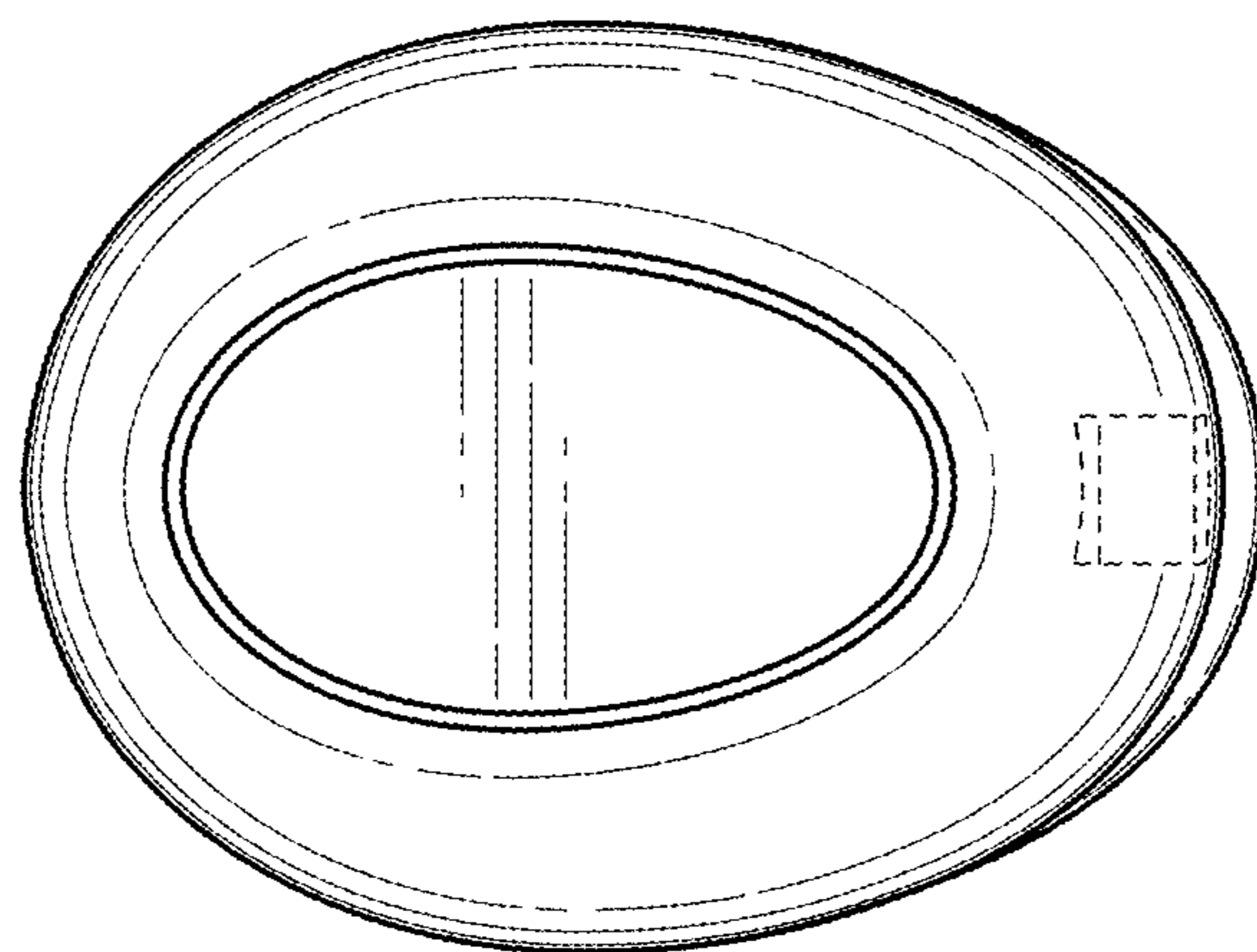


FIG. 8