



US00D818258S

(12) **United States Design Patent** (10) **Patent No.:** **US D818,258 S**  
**Akin et al.** (45) **Date of Patent:** **\*\* May 22, 2018**

(54) **UMBRELLA WITH SOLAR PANELS**

(71) Applicant: **ZON**, Manhattan Beach, CA (US)

(72) Inventors: **Sarah Akin**, Manhattan Beach, CA (US); **David Johnson**, San Francisco, CA (US)

(73) Assignee: **ZON**, Manhattan Beach, CA (US)

(\*\*) Term: **15 Years**

(21) Appl. No.: **29/553,440**

(22) Filed: **Feb. 1, 2016**

D443,409 S 6/2001 Pilz et al.  
6,830,058 B2 12/2004 Li  
6,923,058 B2 8/2005 Nieman et al.  
7,000,624 B2 2/2006 Chang  
7,013,903 B2 3/2006 Li  
D530,269 S 10/2006 Fowler et al.  
D561,460 S 2/2008 Peterson  
7,562,667 B2 7/2009 Li  
D600,200 S 9/2009 Dimov  
D668,443 S 10/2012 Sims, II  
8,360,079 B2 1/2013 Li  
D680,949 S 4/2013 Swatek  
D681,548 S 5/2013 Zhang et al.  
D688,621 S 8/2013 Mozzardi et al.  
D701,828 S 4/2014 Garrett-Shesch  
D701,829 S 4/2014 Garrett-Shesch

(Continued)

**Related U.S. Application Data**

(62) Division of application No. 29/467,880, filed on Sep. 24, 2013, now Pat. No. Des. 748,905.

(51) **LOC (11) Cl.** ..... **03-03**

(52) **U.S. Cl.**  
USPC ..... **D3/5; D3/10; D13/102**

(58) **Field of Classification Search**  
USPC ..... **D3/5, 10; D13/102**  
CPC ... **A45B 23/00; A45B 3/04; A45B 2200/1018; A45B 2200/1027; H02J 7/0047; H02J 7/35**

See application file for complete search history.

(56) **References Cited**

**U.S. PATENT DOCUMENTS**

1,397,789 A 11/1921 Stonestreet  
D151,655 S 11/1948 Preaus  
D248,042 S 5/1978 Ouelette  
4,193,389 A 3/1980 Ku  
4,527,721 A 7/1985 Goldstein  
D336,982 S 7/1993 Johnson  
D373,465 S 9/1996 Chipman  
D373,467 S 9/1996 Chipman  
D373,468 S 9/1996 Dubinsky  
D396,741 S 8/1998 Vitali et al.

**OTHER PUBLICATIONS**

Solar Powered Umbrella with USB Ports Product Reference, Apr. 5, 2013, 17 pages.

*Primary Examiner* — John Windmuller

(74) *Attorney, Agent, or Firm* — Aka Chan LLP

(57) **CLAIM**

The ornamental design for an umbrella with solar panels, as shown and described.

**DESCRIPTION**

This application is incorporated by reference along with U.S. patent application Ser. No. 29/461,658, filed Jul. 26, 2013.

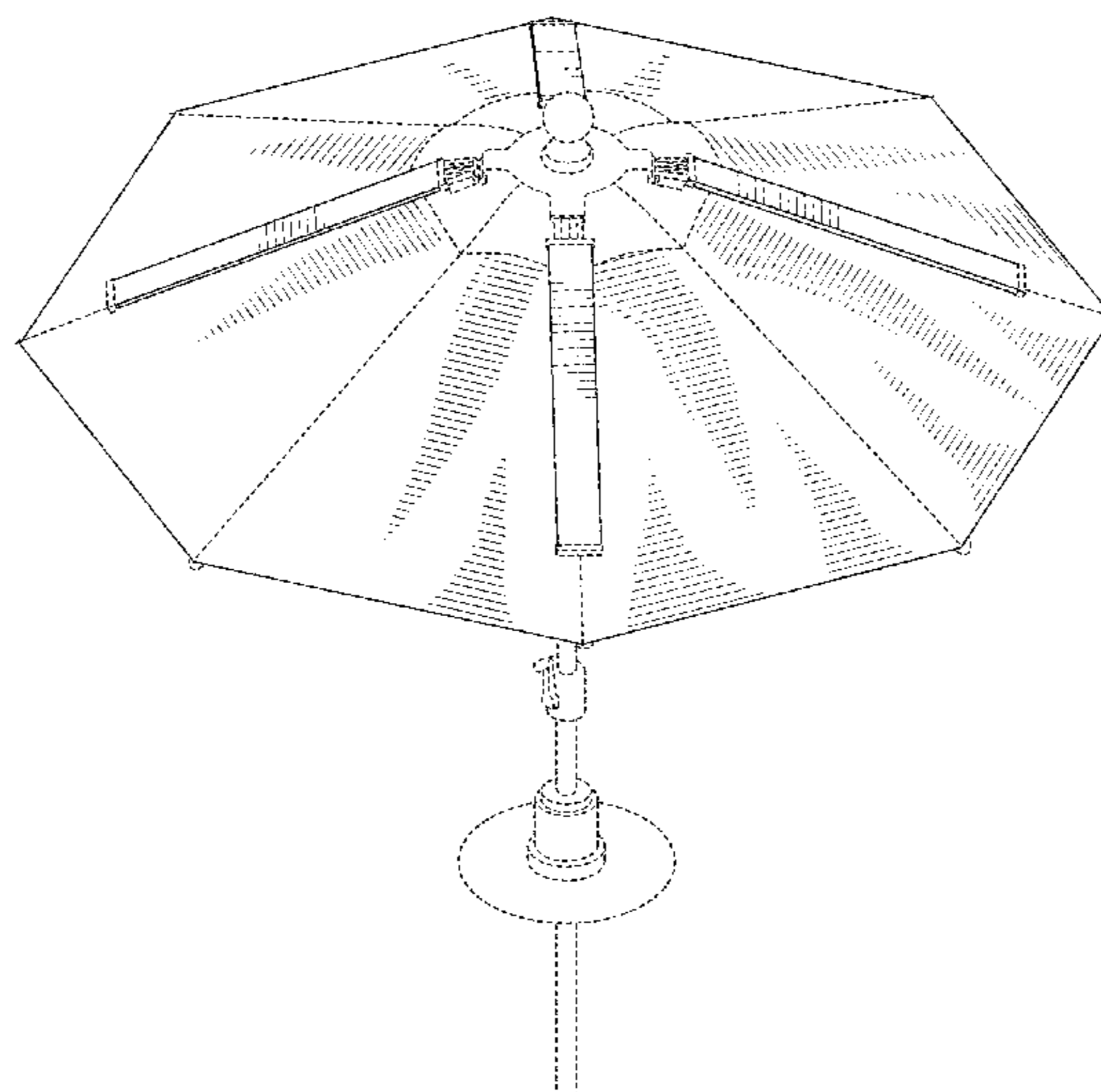
FIG. 1 shows a perspective view of a design for an umbrella with solar panels.

FIG. 2 shows a top view of FIG. 1; and,

FIG. 3 shows a side view of FIG. 1.

The broken lines in the figures depict portions of the umbrella with solar panels that form no part of the claimed design.

**1 Claim, 3 Drawing Sheets**



(56)

**References Cited**

U.S. PATENT DOCUMENTS

8,695,614	B2	4/2014	Chaimovski et al.	
D724,524	S	3/2015	Garrett-Shesch	
D728,466	S	5/2015	Ehram et al.	
9,088,181	B2	7/2015	Akin et al.	
D783,522	S *	4/2017	Cameron .....	D13/102
2005/0161067	A1	7/2005	Hollins	
2009/0058354	A1	3/2009	Harrison	

\* cited by examiner

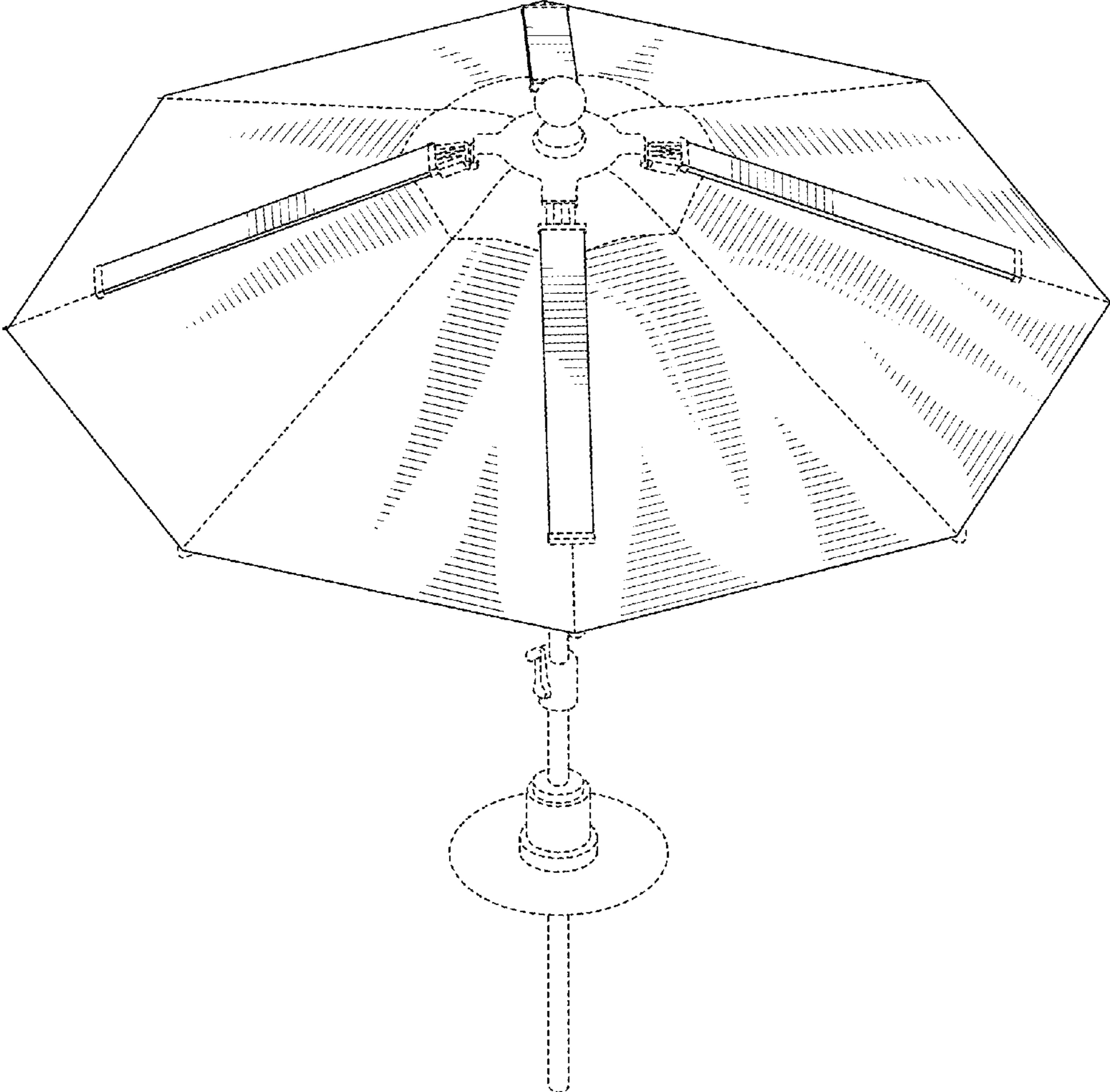


FIG. 1

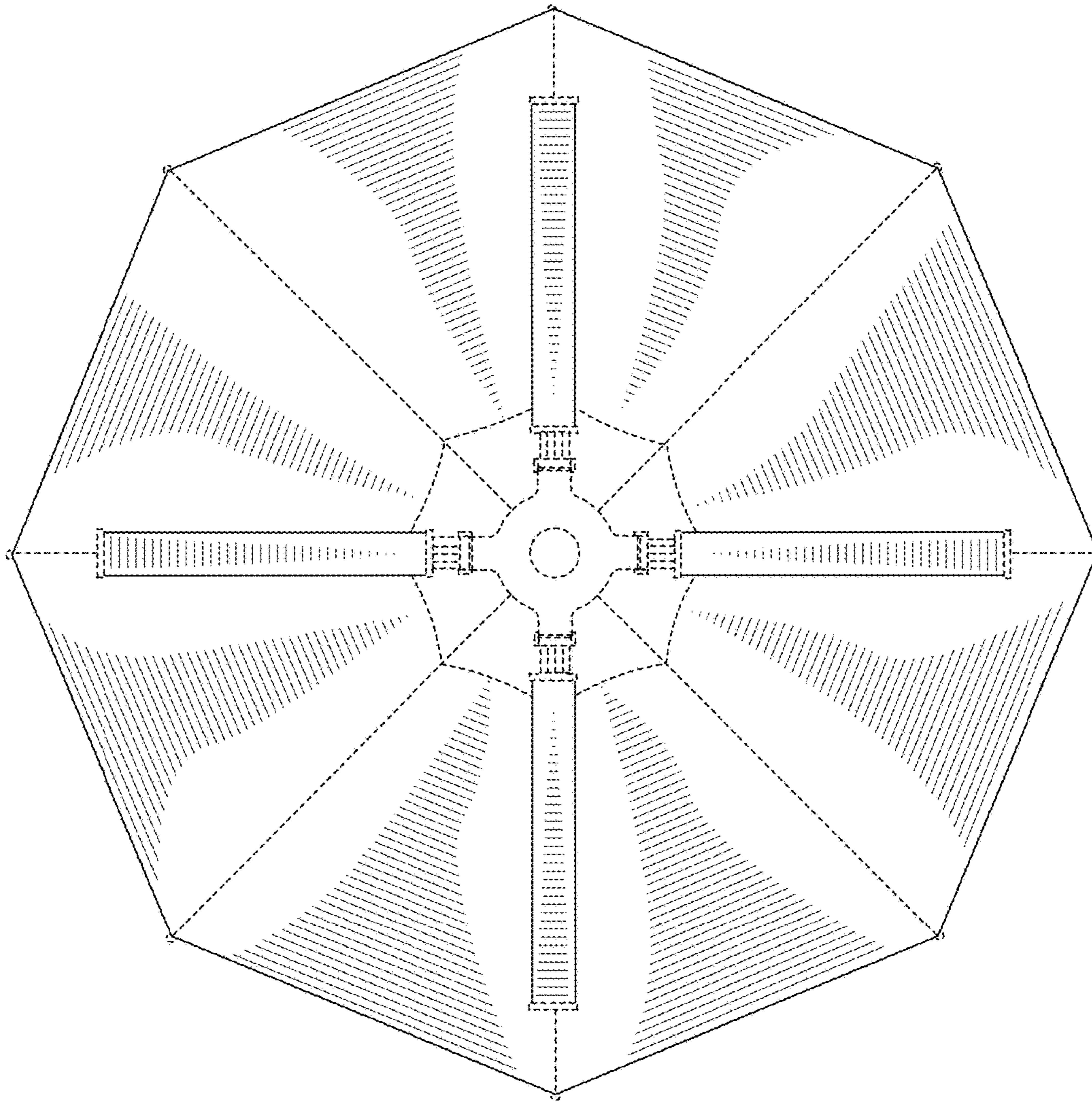


FIG. 2

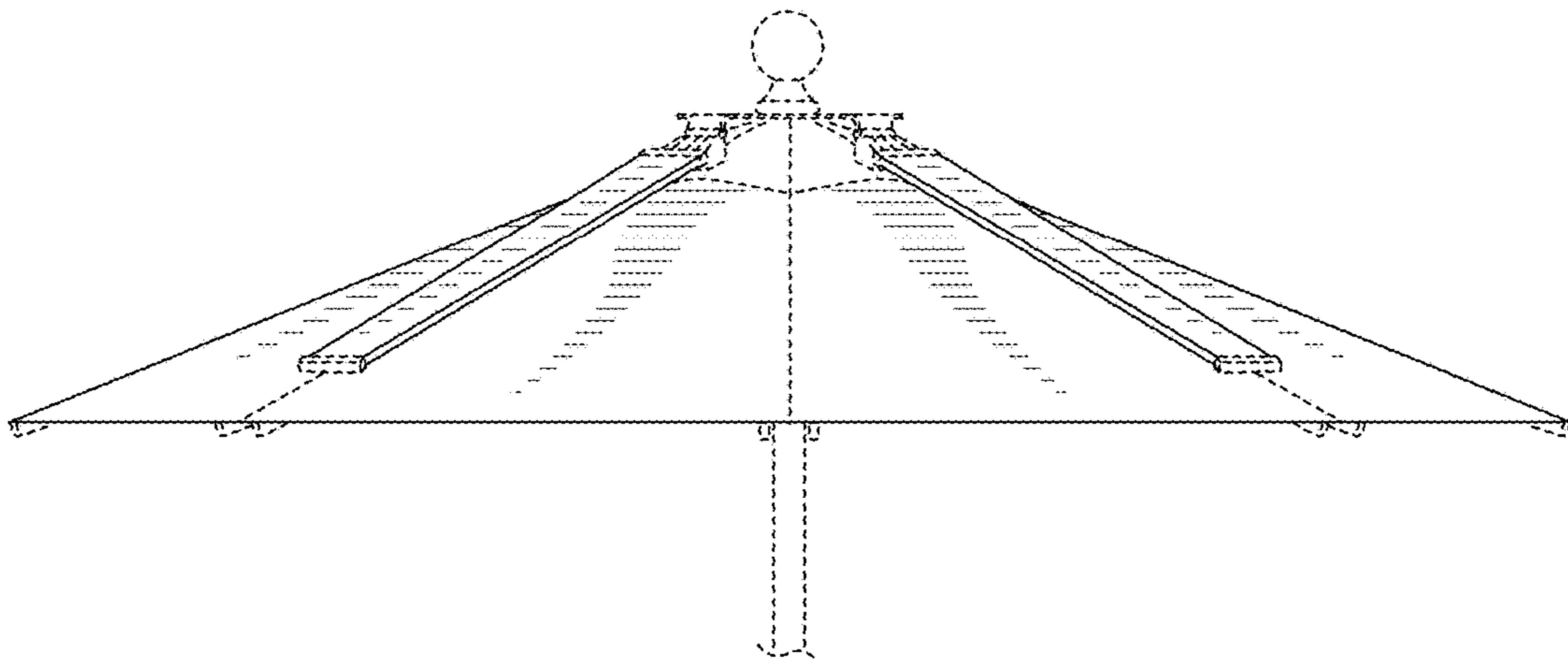


FIG. 3