



US00D818251S

(12) **United States Design Patent**
Rollins

(10) **Patent No.:** **US D818,251 S**

(45) **Date of Patent:** **** May 22, 2018**

(54) **SANDAL UPPER**

(71) Applicant: **Lacey Miranda Rollins**, Midlothian,
VA (US)

(72) Inventor: **Lacey Miranda Rollins**, Midlothian,
VA (US)

(**) Term: **15 Years**

(21) Appl. No.: **29/607,018**

(22) Filed: **Jun. 9, 2017**

(51) **LOC (11) Cl.** **02-04**

(52) **U.S. Cl.**
USPC **D2/916; D2/969**

(58) **Field of Classification Search**
USPC D2/896-900, 916-918, 946, 969, 971,
D2/976

CPC A43B 3/12; A43B 3/26
See application file for complete search history.

(56) **References Cited**

U.S. PATENT DOCUMENTS

D132,630 S * 6/1942 Pfeiffer D2/916
D535,464 S * 1/2007 Belley D2/969

D591,488 S * 5/2009 Hardy D2/917
D600,432 S * 9/2009 Feller D2/917
D642,772 S * 8/2011 Tonkel D2/897
D680,717 S * 4/2013 Rinaldi D2/897
D737,034 S * 8/2015 Lok D2/916

* cited by examiner

Primary Examiner — Holly H Baynham

Assistant Examiner — Rashida C. Walshon

(74) *Attorney, Agent, or Firm* — Dunlap Bennett &
Ludwig PLLC

(57) **CLAIM**

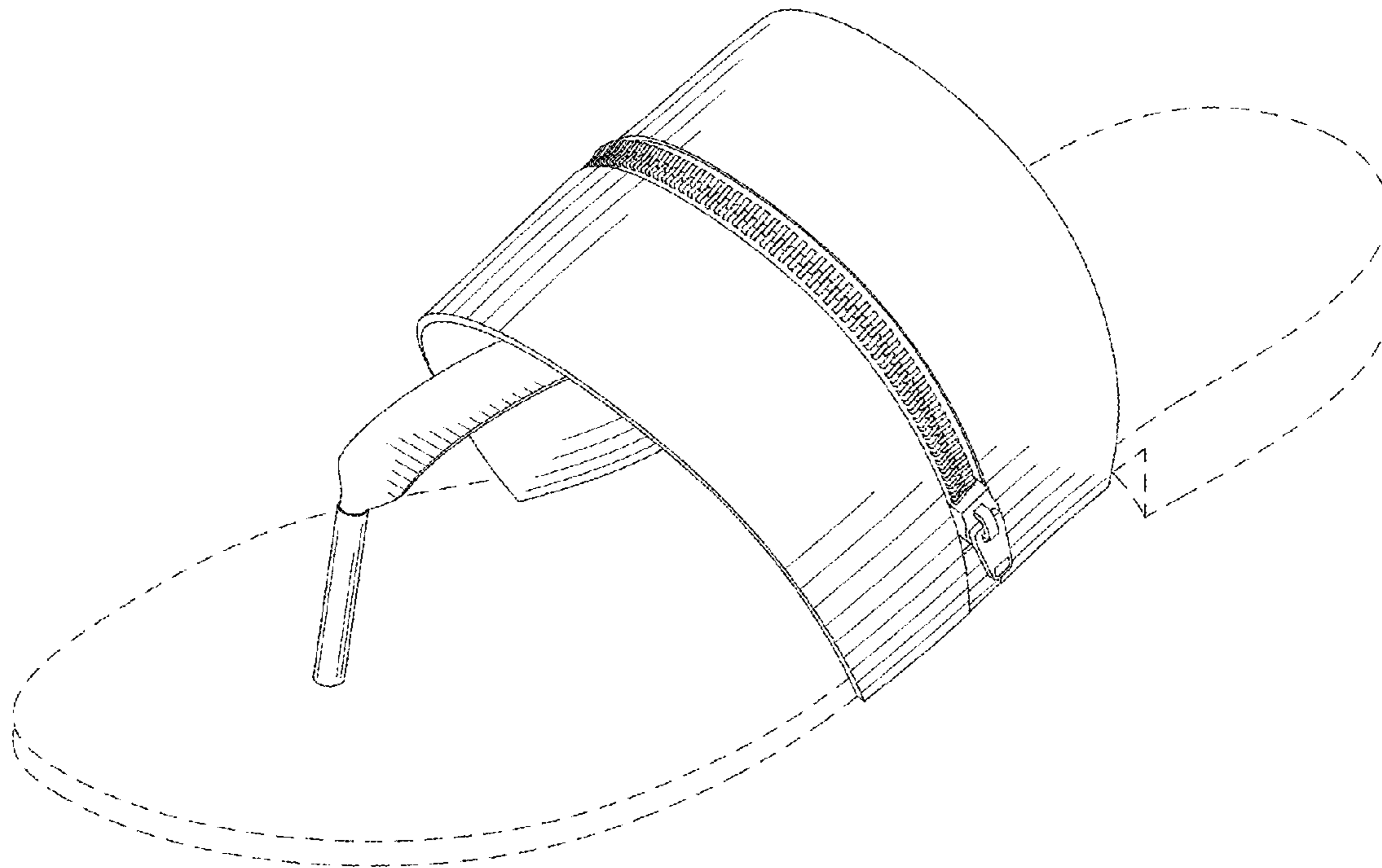
The ornamental design for a sandal upper, as shown and described.

DESCRIPTION

FIG. 1 is a top front perspective view of a sandal upper;
FIG. 2 is a front elevation view thereof;
FIG. 3 is a rear elevation view thereof;
FIG. 4 is a right side elevation view thereof;
FIG. 5 is a left side elevation view thereof;
FIG. 6 is a top elevation view thereof; and,
FIG. 7 is a bottom elevation view thereof.

The broken lines shown in the drawings depict a sole of a sandal that form no part of the claimed invention.

1 Claim, 4 Drawing Sheets



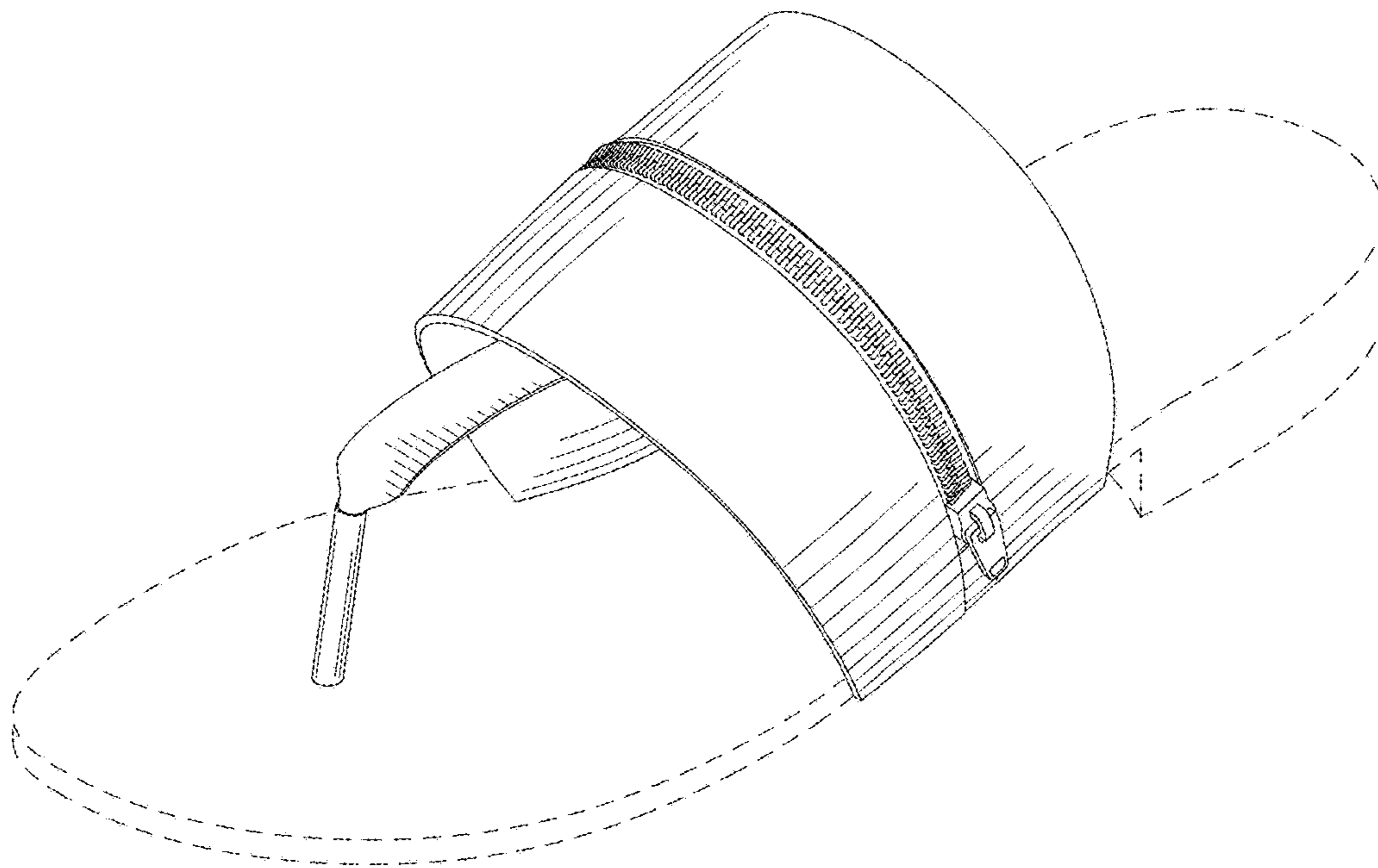


FIG. 1

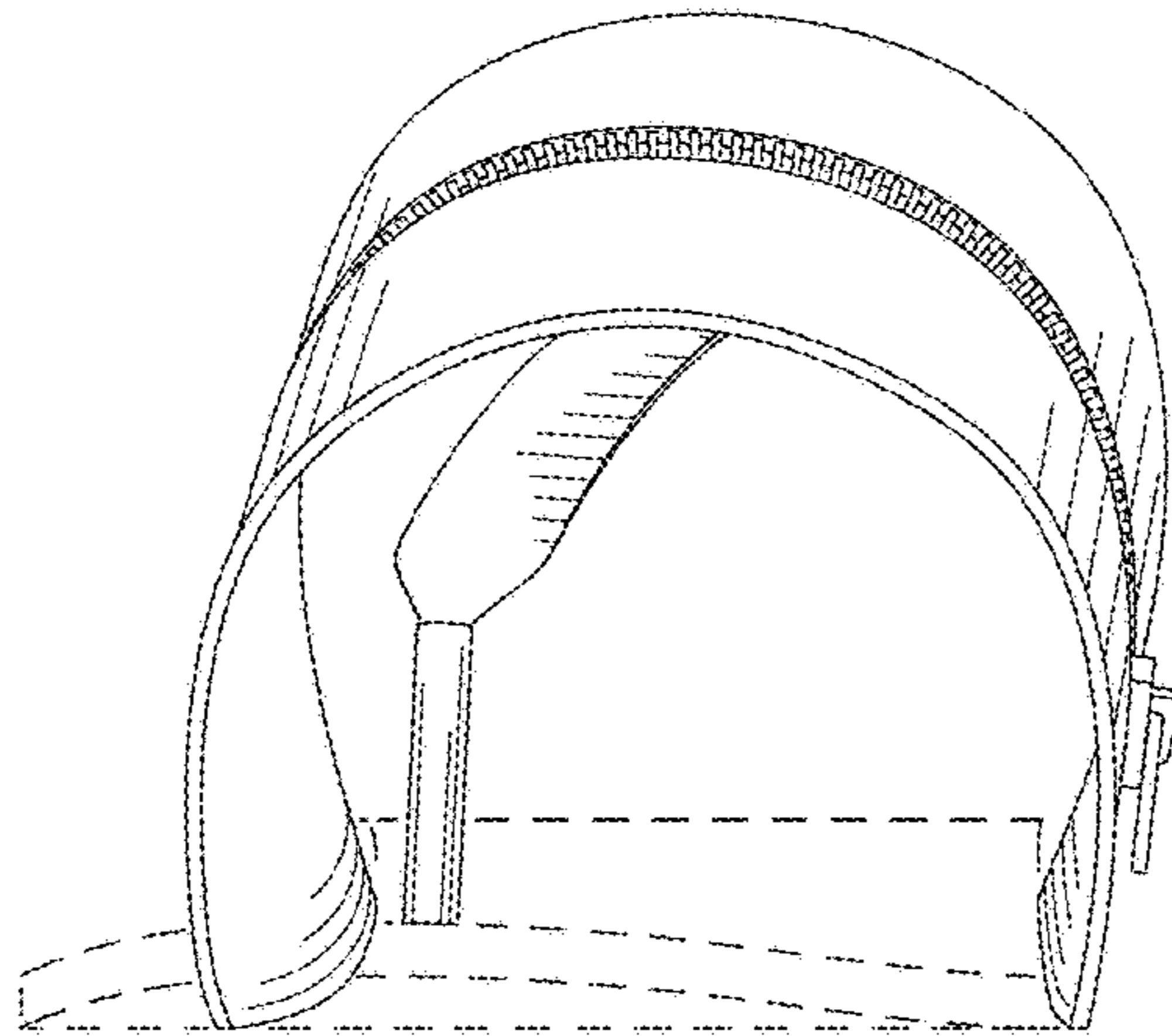


FIG. 2

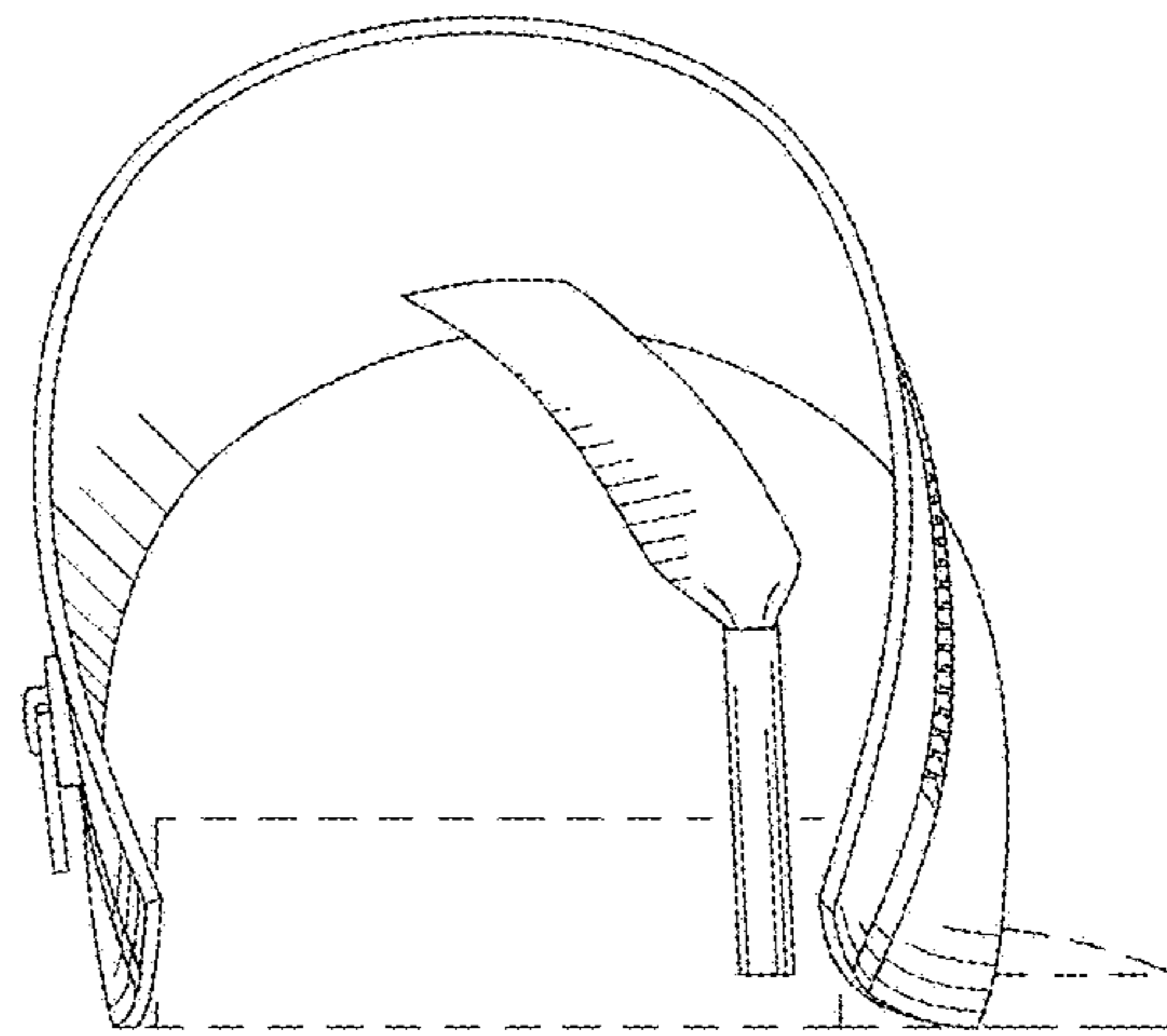


FIG. 3

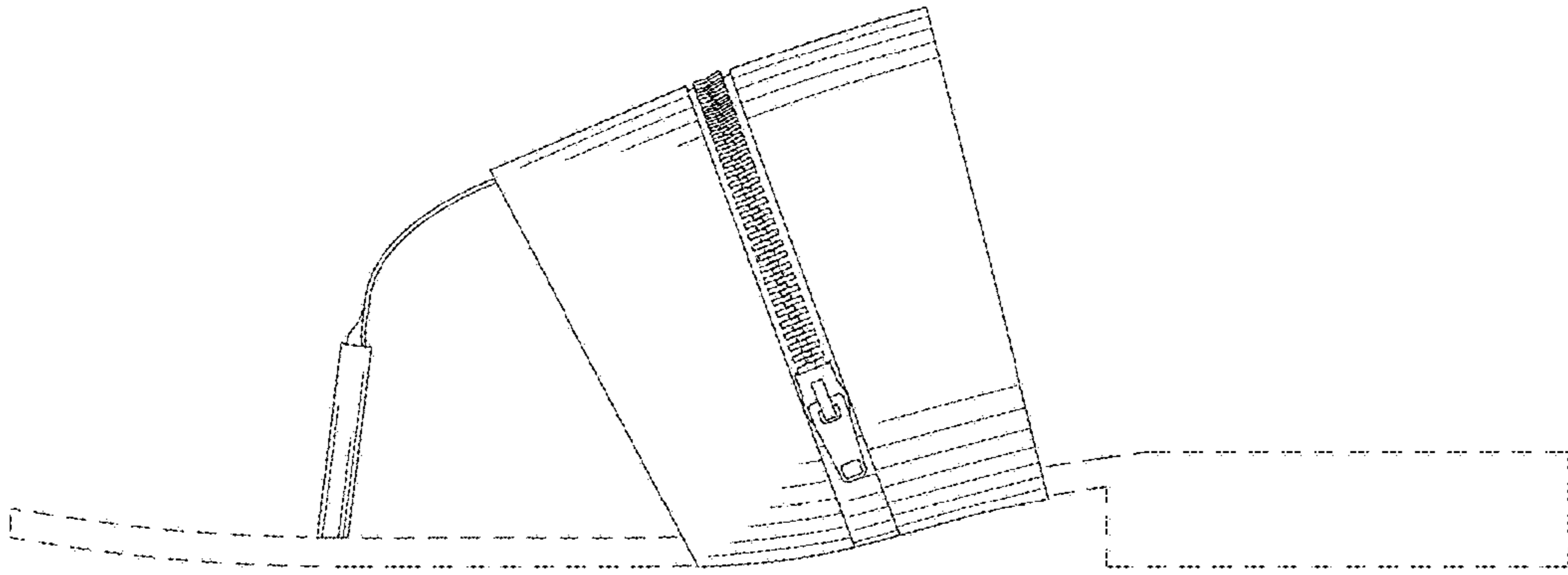


FIG. 4

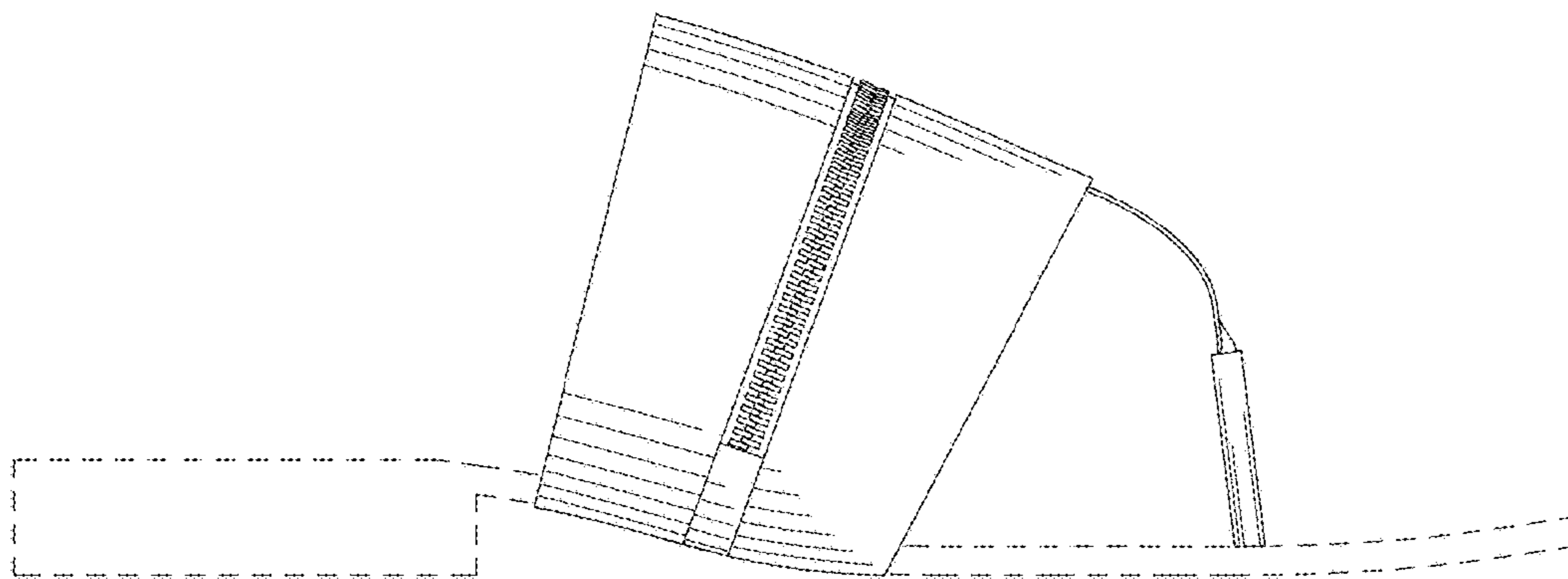


FIG. 5

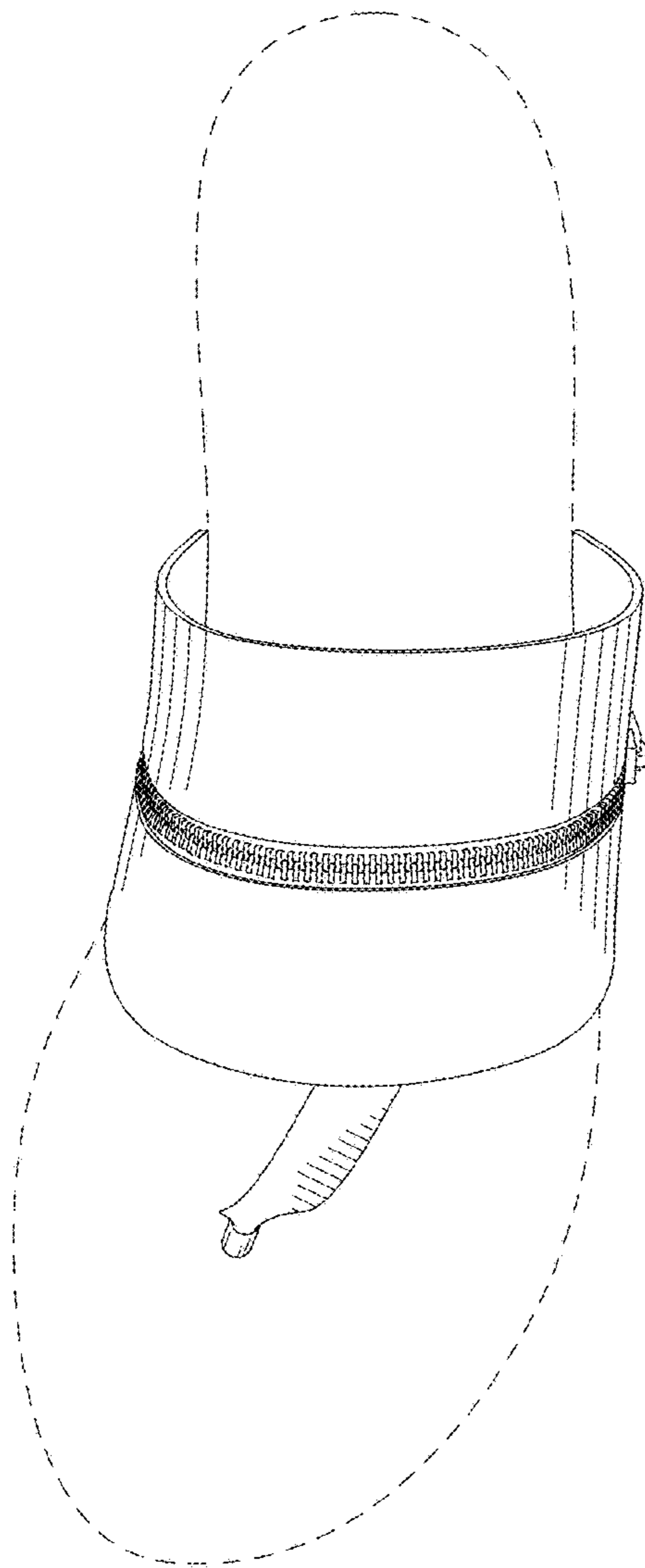


FIG. 6

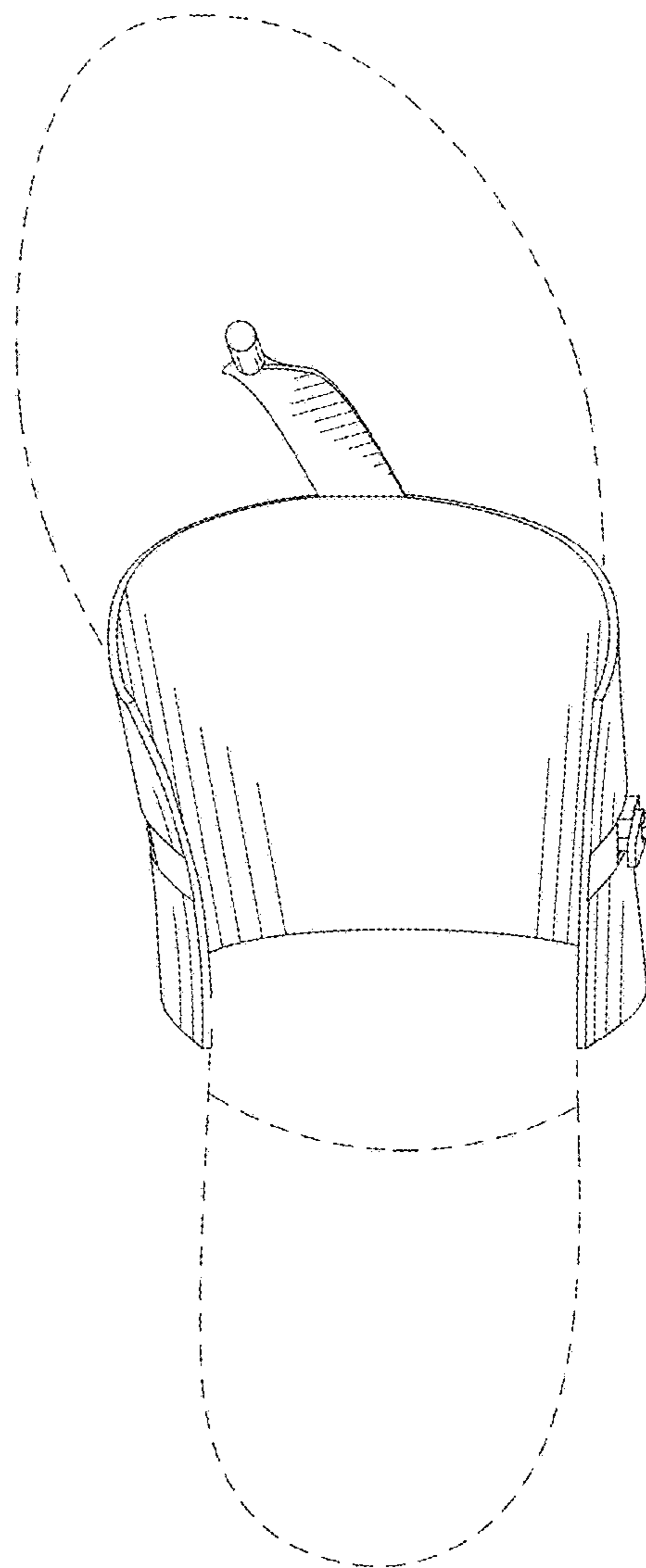


FIG. 7