



US00D818239S

(12) **United States Design Patent**
Stark

(10) **Patent No.:** **US D818,239 S**

(45) **Date of Patent:** **** May 15, 2018**

(54) **FORKLIFT TRUCK**

(71) Applicant: **Dr. Ing. h.c. F. Porsche**
Aktiengesellschaft, Stuttgart (DE)

(72) Inventor: **Stefan Stark, Ludwigsburg (DE)**

(73) Assignee: **Dr. Ing. h.c. F. Porsche**
Aktiengesellschaft, Stuttgart (DE)

(**) Term: **15 Years**

(21) Appl. No.: **29/607,251**

(22) Filed: **Jun. 12, 2017**

(30) **Foreign Application Priority Data**

Dec. 21, 2016 (DE) 40 2016 101 513

(51) **LOC (11) Cl.** **12-05**

(52) **U.S. Cl.**
USPC **D34/35**

(58) **Field of Classification Search**
USPC D34/28, 34, 35; 187/222, 237, 238;
180/89.12, 89.13, 89.17, 89.14, 89.18,
180/89.19, 12, 194; 414/631, 785, 592,
414/640, 572

CPC B66F 9/07563; B66F 17/003; B66F 9/24;
B66F 9/12; B66F 9/0755; B66F 9/07572
See application file for complete search history.

(56) **References Cited**

U.S. PATENT DOCUMENTS

D471,689 S * 3/2003 Shibata D34/34
D518,268 S * 3/2006 Stark D21/556

D526,460 S * 8/2006 Goto D34/34
D535,805 S * 1/2007 Stark D34/34
D570,575 S * 6/2008 Stark D21/556
D578,271 S * 10/2008 Mori D34/34
D579,171 S * 10/2008 Mori D34/35
D584,024 S * 12/2008 Stark D34/34
D657,932 S * 4/2012 Kazaoka D34/34
D720,114 S 11/2014 Stark
D778,522 S 2/2017 Stark
D778,523 S 2/2017 Stark

* cited by examiner

Primary Examiner — Cynthia Ramirez

Assistant Examiner — Gino Colan

(74) *Attorney, Agent, or Firm* — RatnerPrestia

(57) **CLAIM**

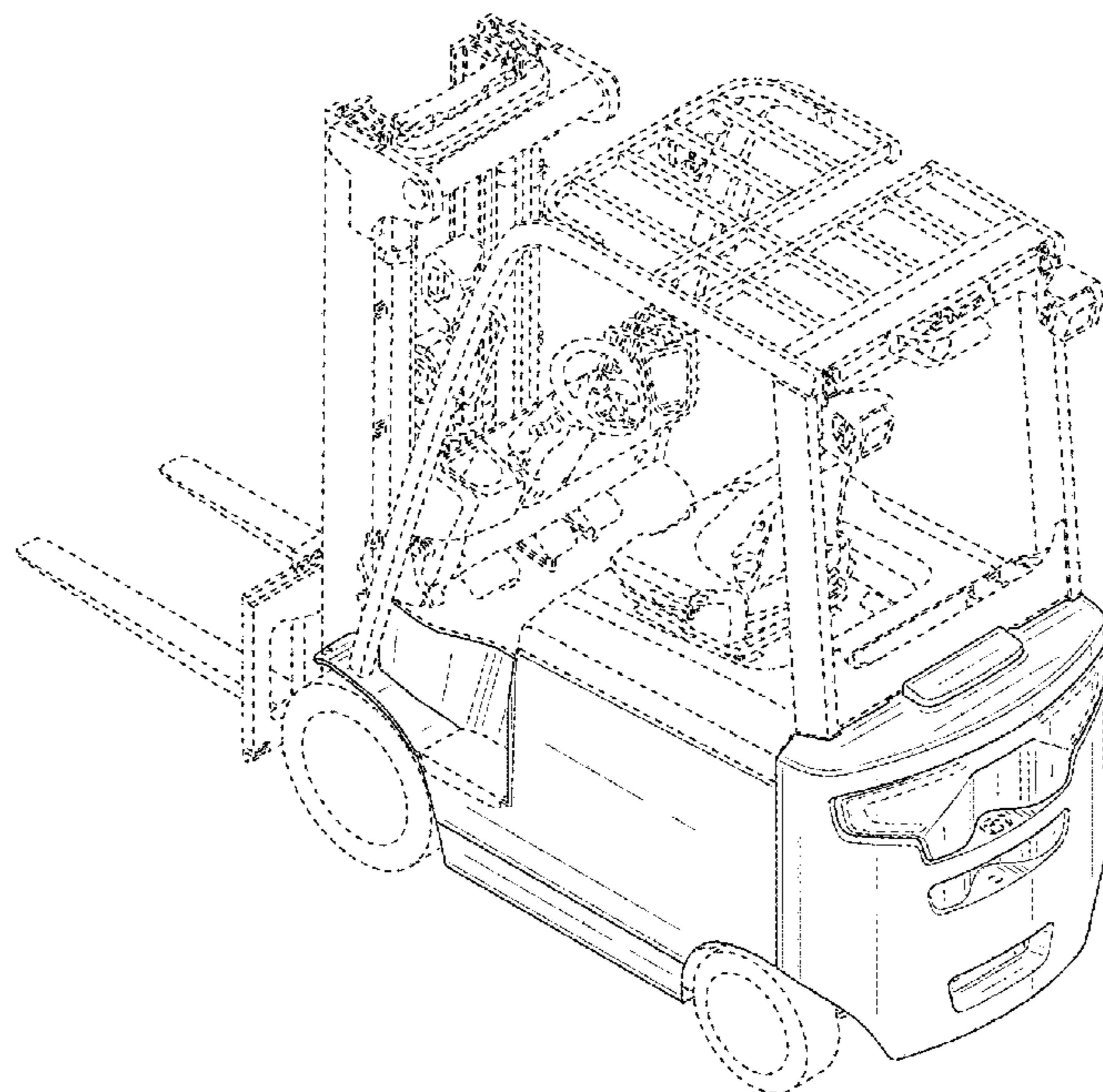
The ornamental design for a forklift truck, as shown and described.

DESCRIPTION

FIG. 1 is a rear right perspective view of a forklift truck showing my new design;
FIG. 2 is a rear left perspective view thereof;
FIG. 3 is a right side elevation view thereof;
FIG. 4 is a left side elevation view thereof;
FIG. 5 is a rear elevation view thereof;
FIG. 6 is a front elevation view thereof; and,
FIG. 7 is a top plan view thereof.

The broken lines shown in the figures are for the purpose of illustrating portions of the forklift truck that form no part of the claimed design.

1 Claim, 6 Drawing Sheets



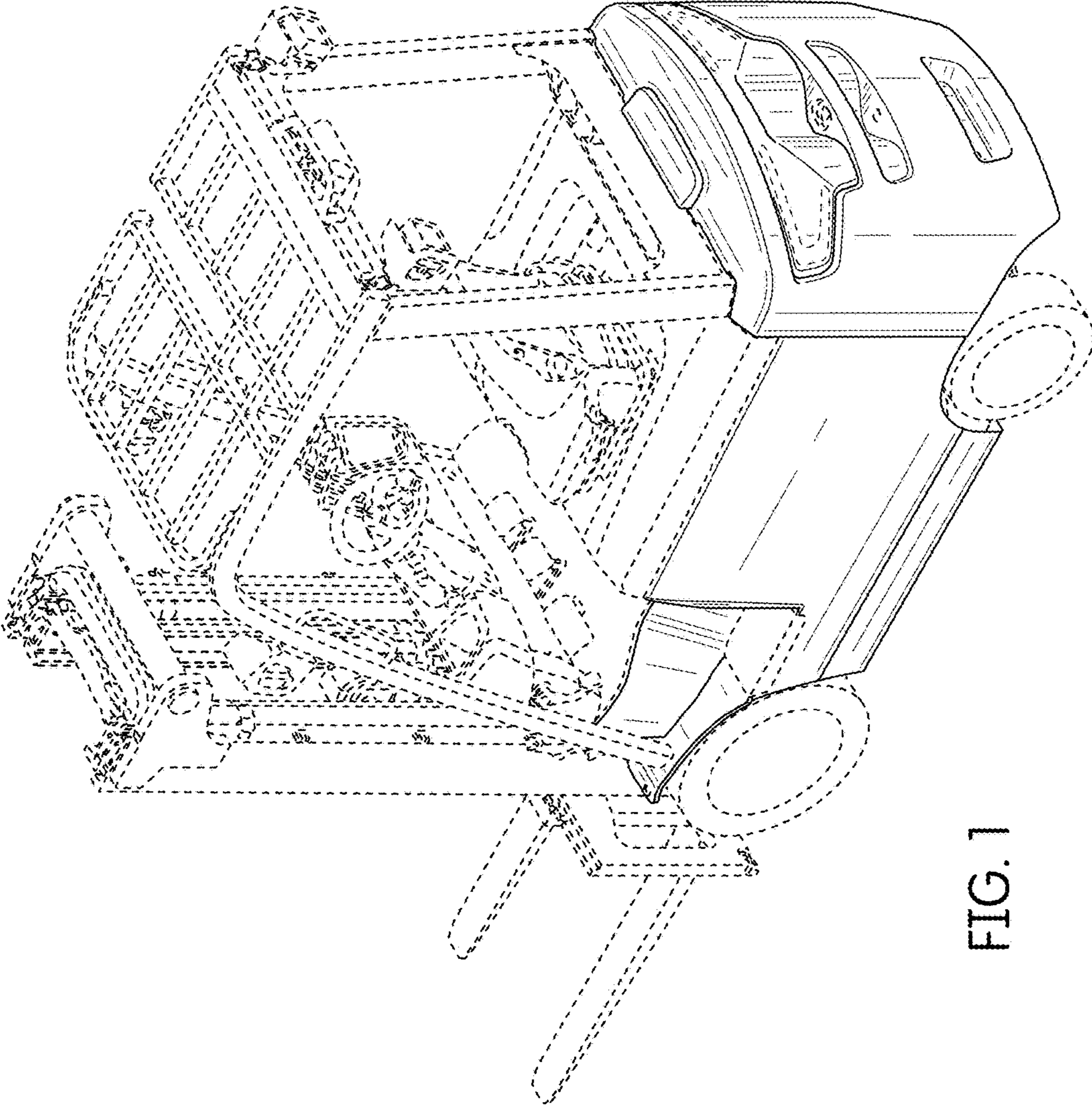


FIG. 1

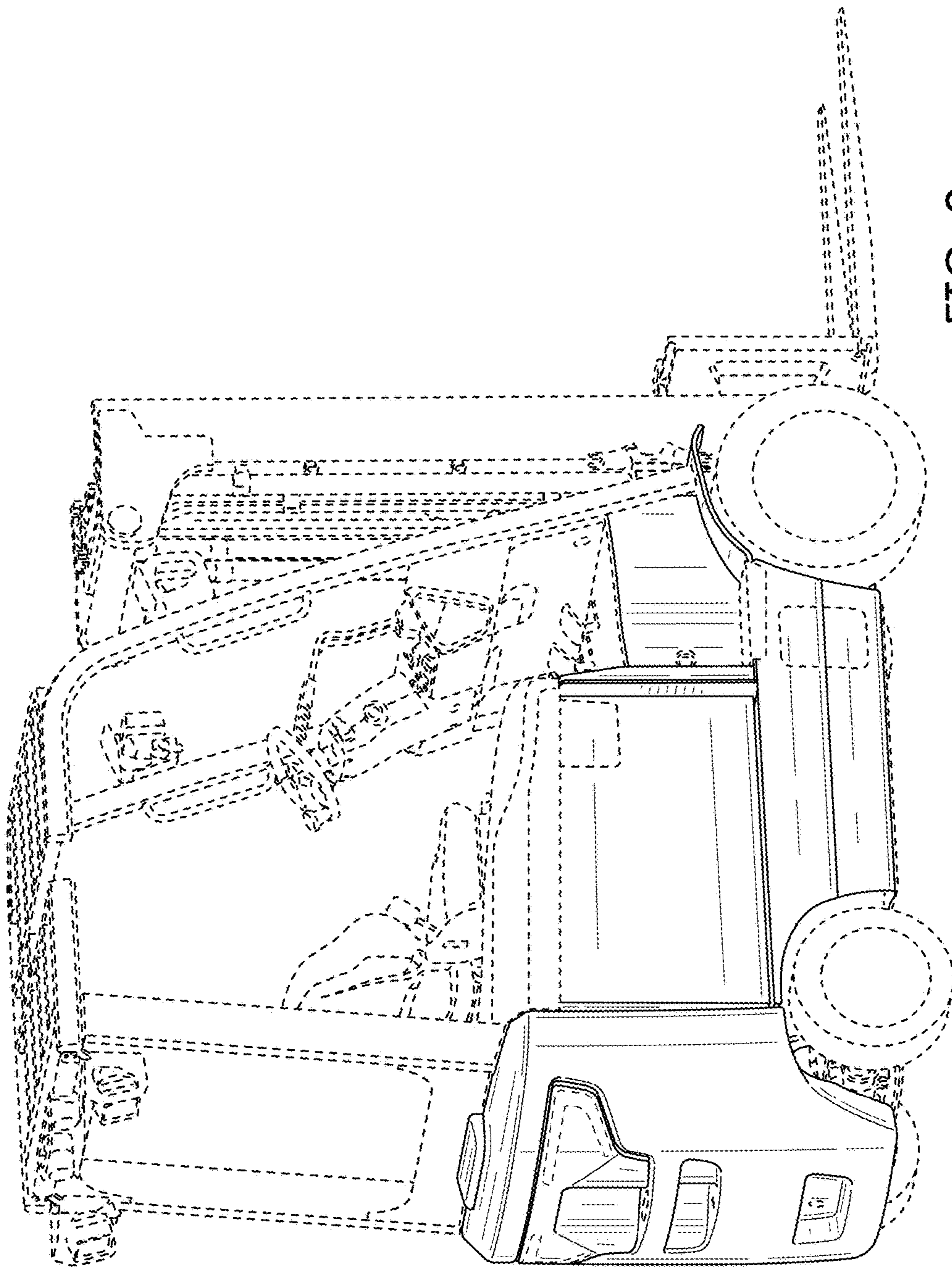


FIG. 2

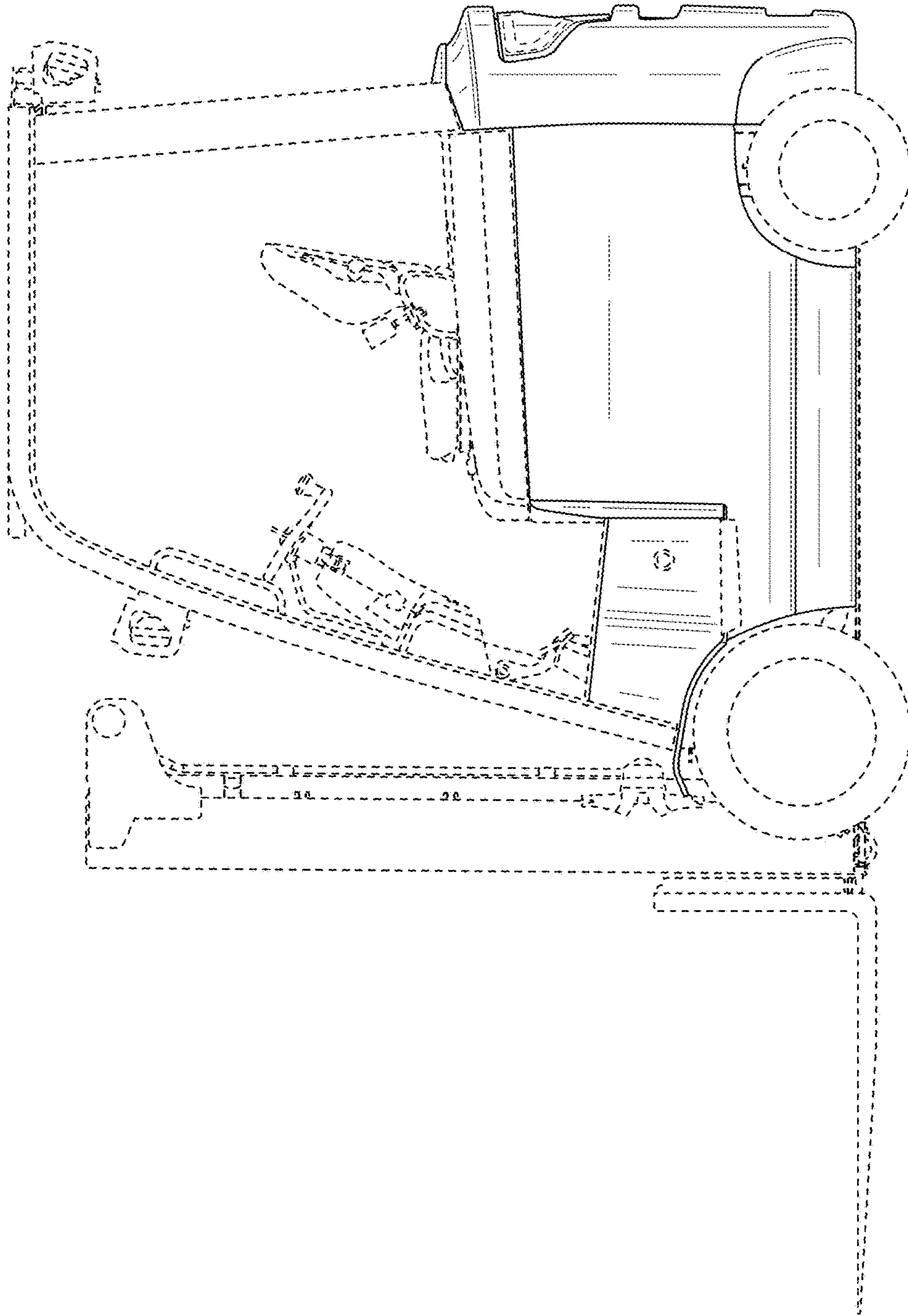


FIG. 3

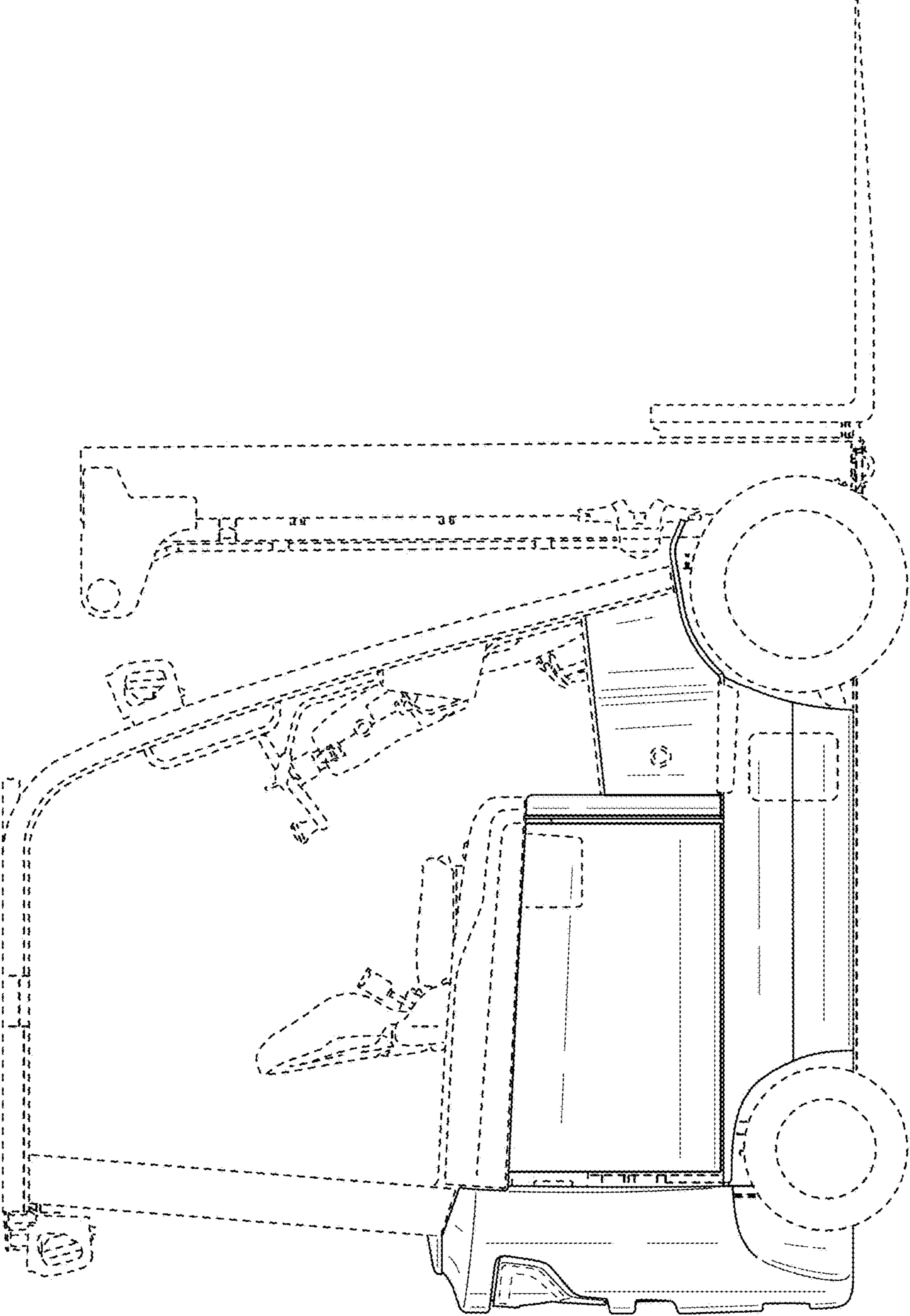


FIG. 4

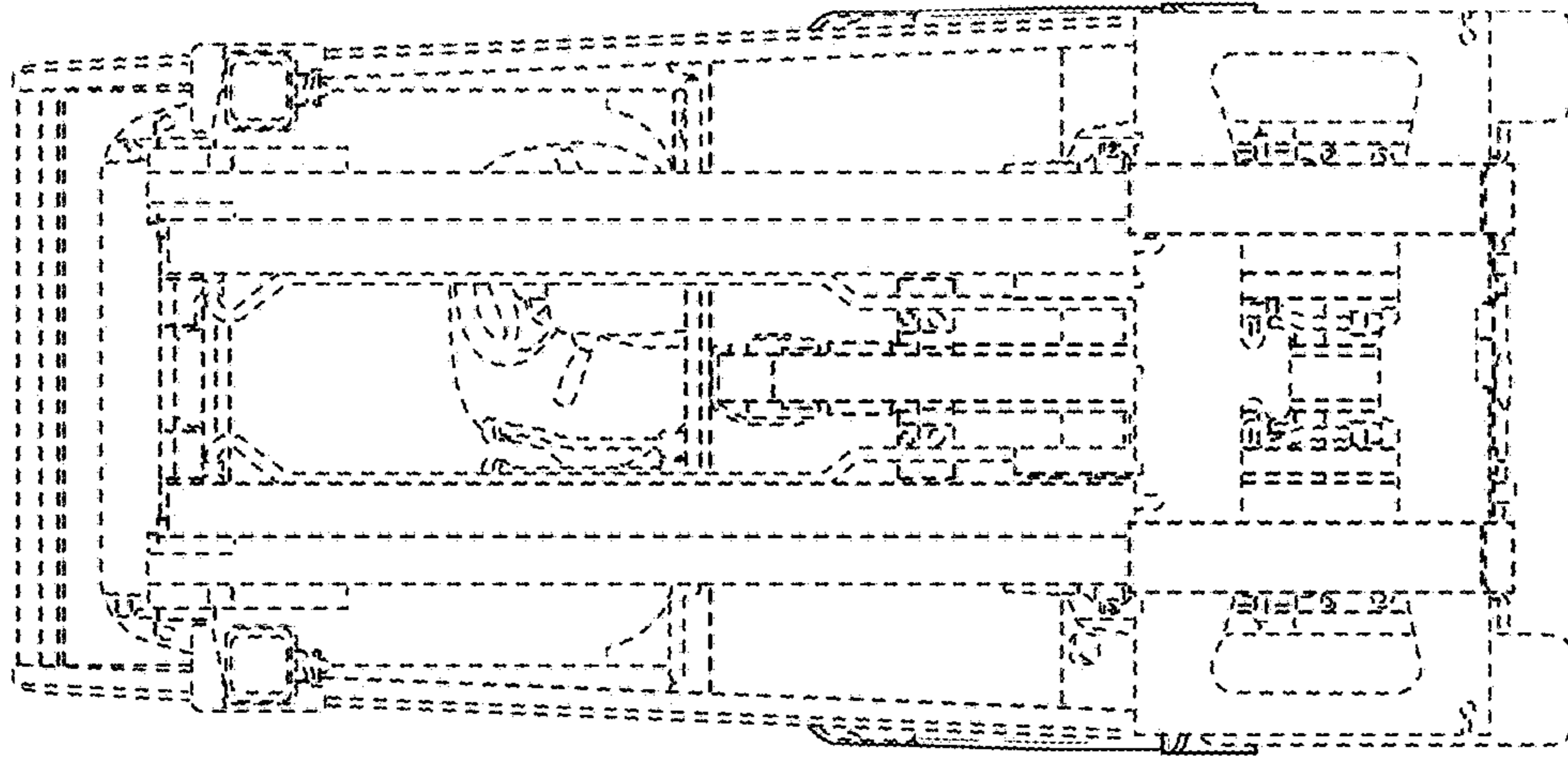


FIG. 5

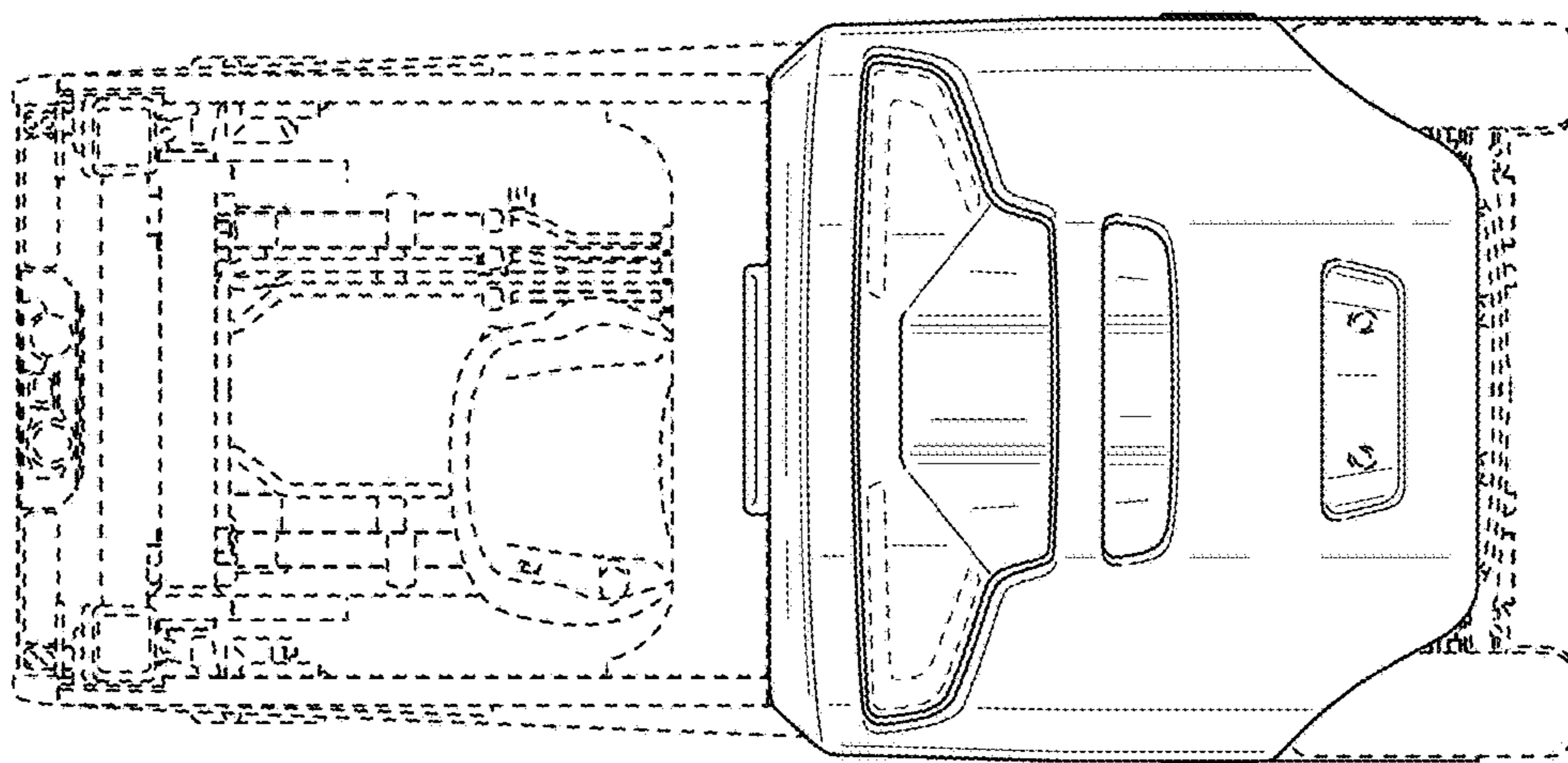


FIG. 6

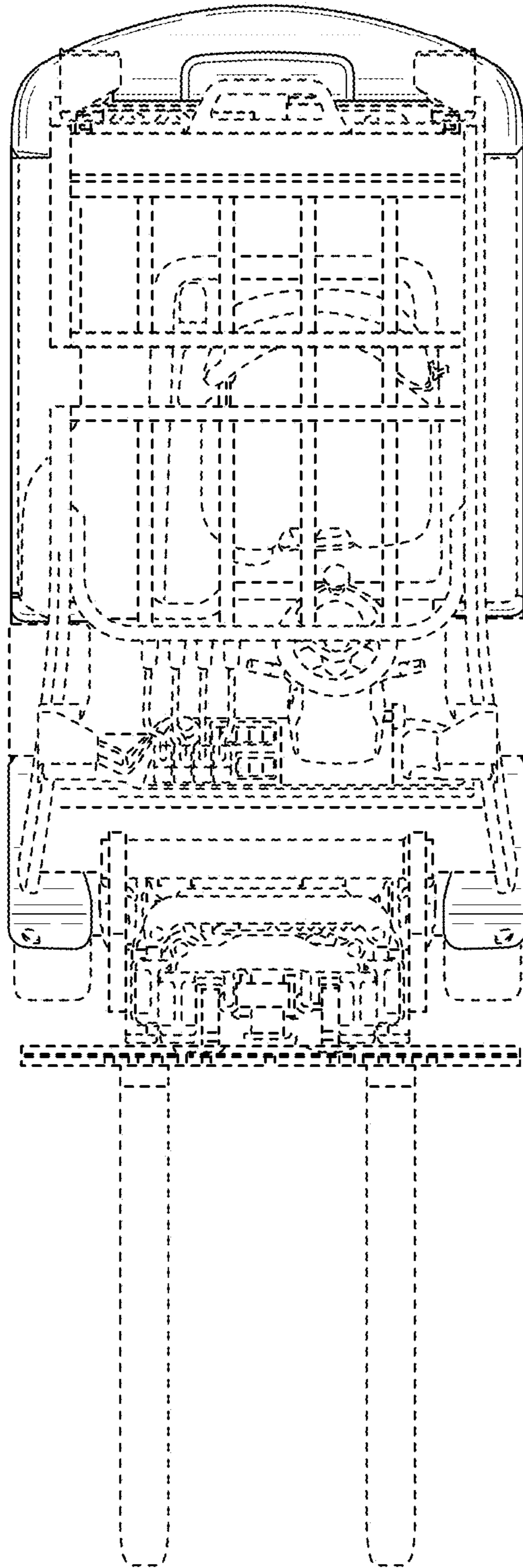


FIG. 7