



US00D818238S

(12) **United States Design Patent**  
**Stark**

(10) **Patent No.:** **US D818,238 S**

(45) **Date of Patent:** **\*\* May 15, 2018**

(54) **FORKLIFT TRUCK**

(71) Applicant: **Dr. Ing. h.c. F. Porsche**  
**Aktiengesellschaft, Stuttgart (DE)**

(72) Inventor: **Stefan Stark, Ludwigsburg (DE)**

(73) Assignee: **Dr. Ing. h.c. F. Porsche**  
**Aktiengesellschaft, Stuttgart (DE)**

(\*\*) Term: **15 Years**

(21) Appl. No.: **29/607,248**

(22) Filed: **Jun. 12, 2017**

(30) **Foreign Application Priority Data**

Dec. 19, 2016 (DE) ..... 40 2016 101 501

(51) **LOC (11) Cl.** ..... **12-05**

(52) **U.S. Cl.**  
USPC ..... **D34/35**

(58) **Field of Classification Search**

USPC ..... D34/34, 35, 28; 187/222, 237, 238;  
180/89.12, 89.13, 89.17, 89.14, 89.18,  
180/89.19, 12, 194; 414/631, 785, 592,  
414/640, 572

CPC ..... B66F 9/07563; B66F 17/003; B66F 9/24;  
B66F 9/12; B66F 9/0755; B66F 9/07572

See application file for complete search history.

(56) **References Cited**

**U.S. PATENT DOCUMENTS**

D471,689 S \* 3/2003 Shibata ..... D34/34  
D518,268 S \* 3/2006 Stark ..... D21/556

D526,460 S \* 8/2006 Goto ..... D34/34  
D535,805 S \* 1/2007 Stark ..... D21/556  
D570,575 S \* 6/2008 Stark ..... D21/556  
D578,271 S \* 10/2008 Mori ..... D34/34  
D579,171 S \* 10/2008 Mori ..... D34/35  
D584,024 S \* 12/2008 Stark ..... D34/34  
D657,932 S \* 4/2012 Kazaoka ..... D34/34  
D720,114 S 11/2014 Stark  
D778,522 S 2/2017 Stark  
D778,523 S 2/2017 Stark

\* cited by examiner

*Primary Examiner* — Cynthia Ramirez

*Assistant Examiner* — Gino Colan

(74) *Attorney, Agent, or Firm* — RatnerPrestia

(57) **CLAIM**

The ornamental design for a forklift truck, as shown and described.

**DESCRIPTION**

FIG. 1 is a rear right perspective view of a forklift truck showing my new design;

FIG. 2 is a rear left perspective view thereof;

FIG. 3 is a right side elevation view thereof;

FIG. 4 is a left side elevation view thereof;

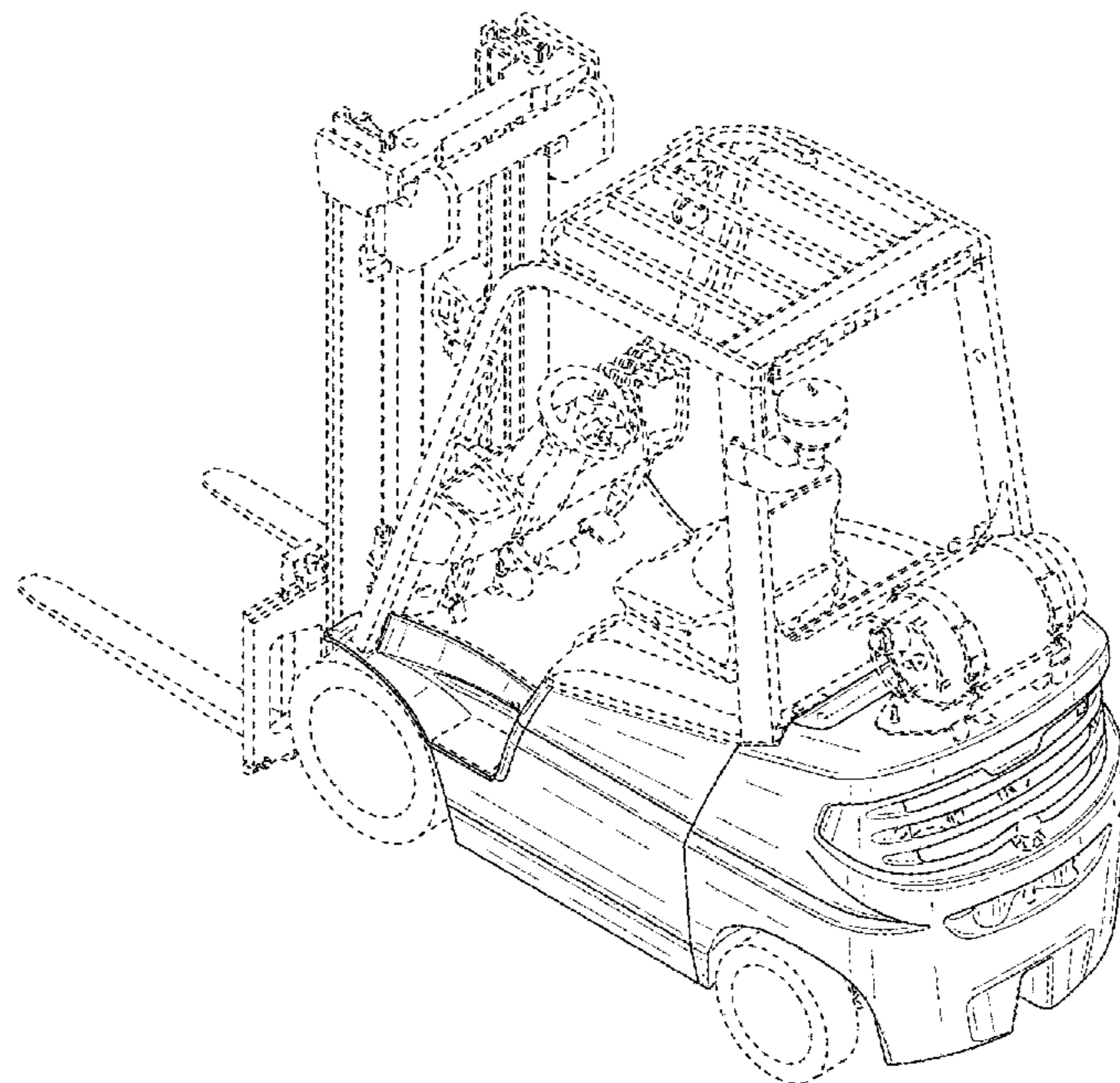
FIG. 5 is a rear elevation view thereof;

FIG. 6 is a front elevation view thereof; and,

FIG. 7 is a top plan view thereof.

The broken lines shown in the figures are for the purpose of illustrating portions of the forklift truck that form no part of the claimed design.

**1 Claim, 6 Drawing Sheets**



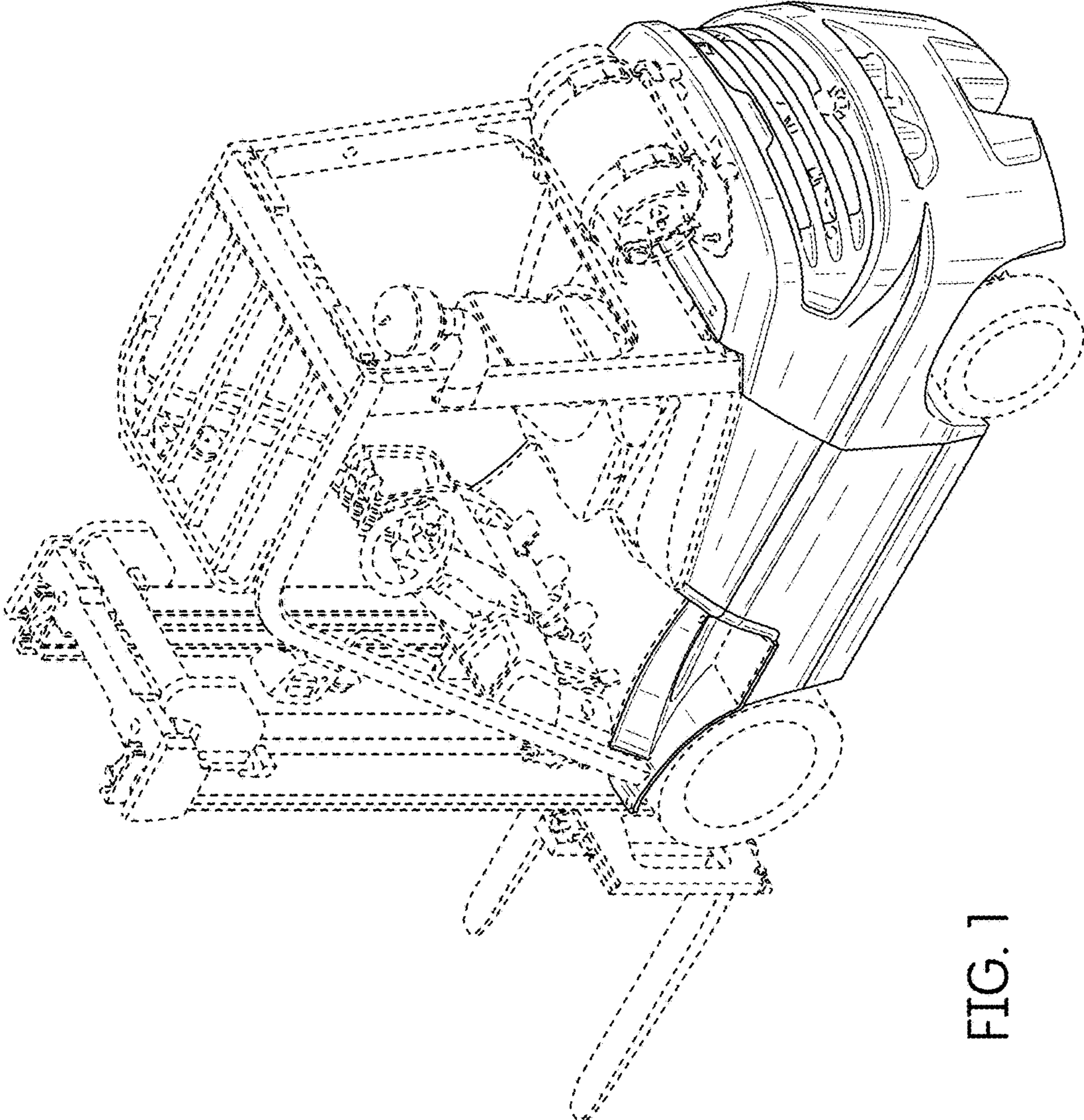


FIG. 1



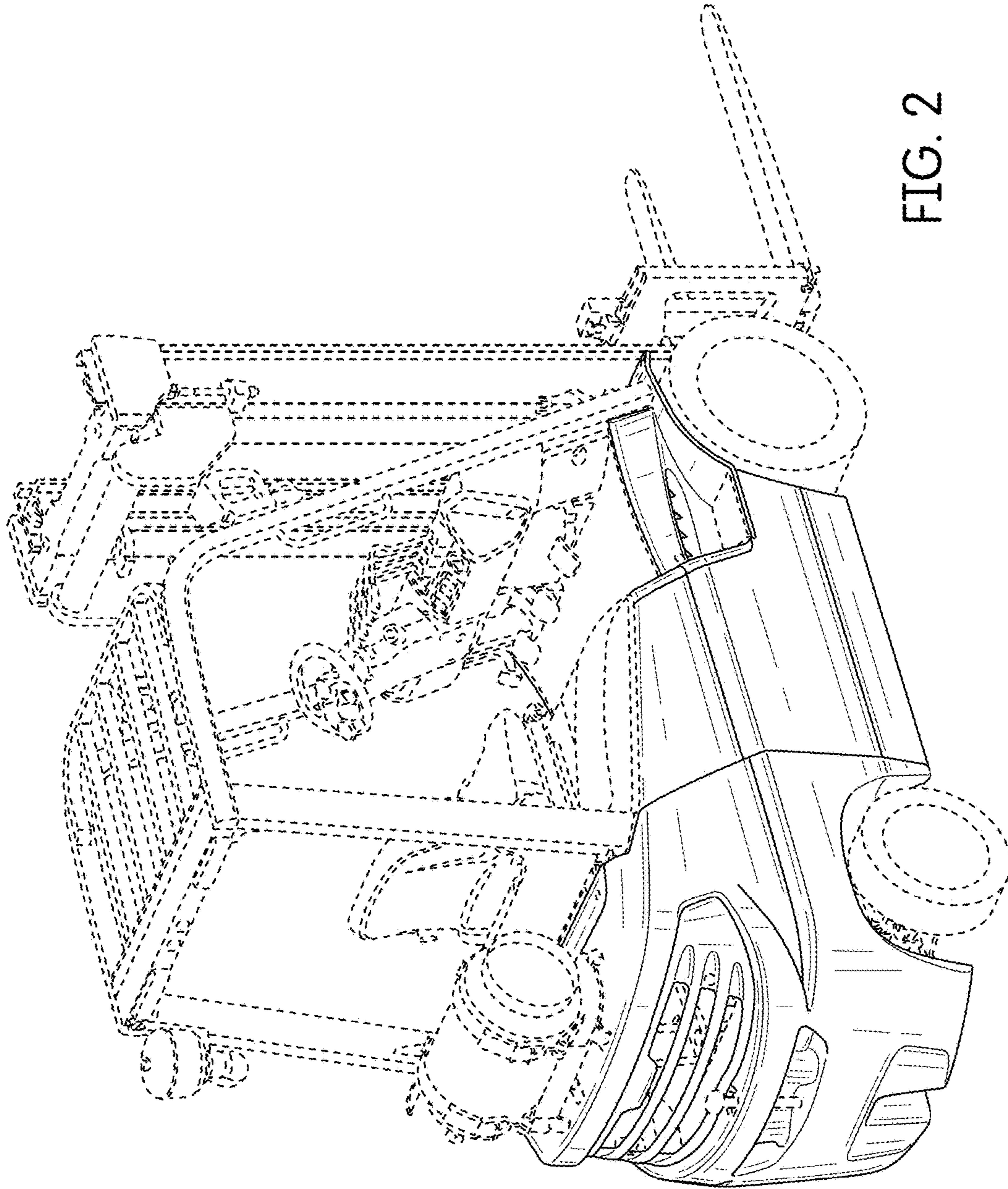


FIG. 2

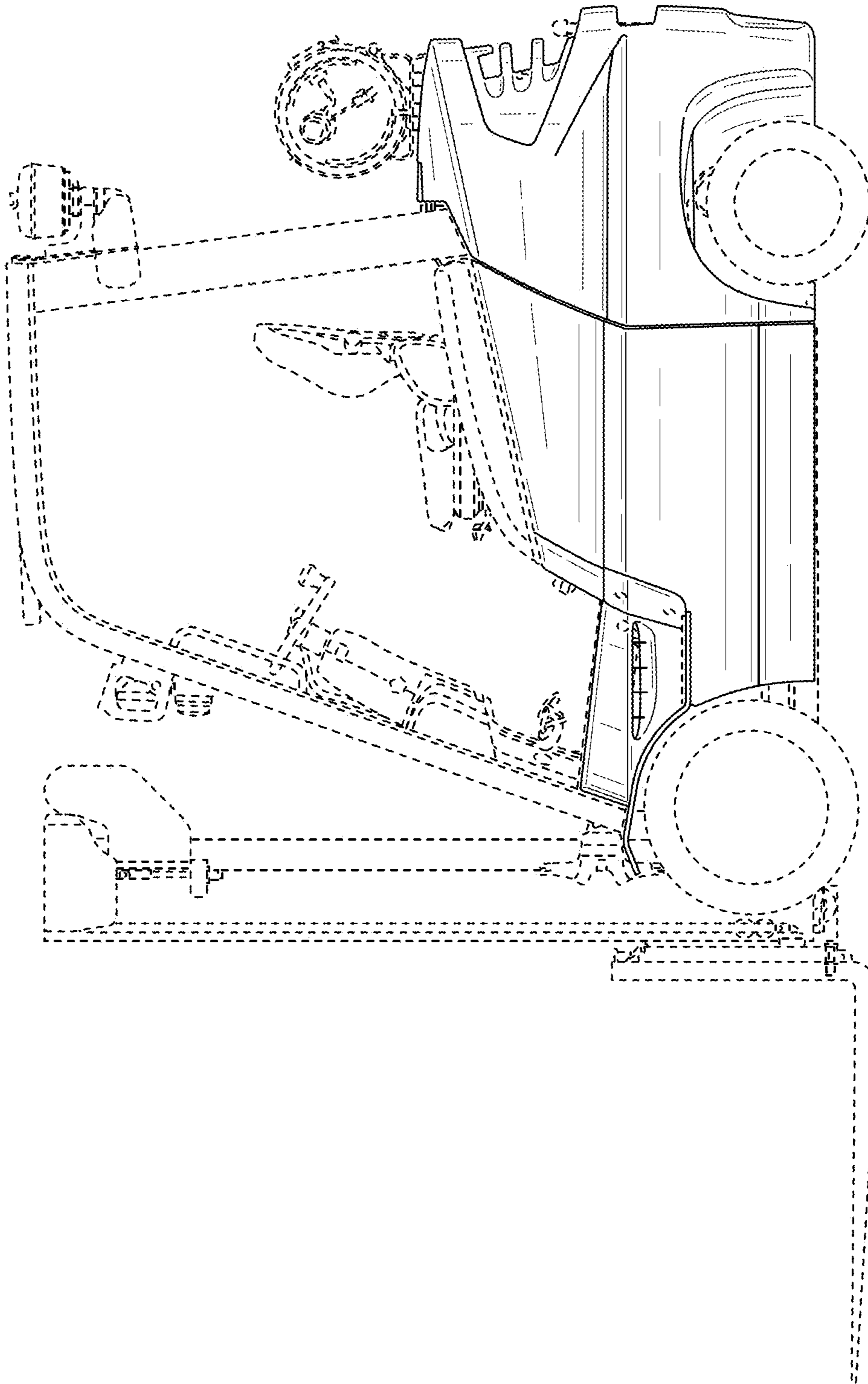


FIG. 3

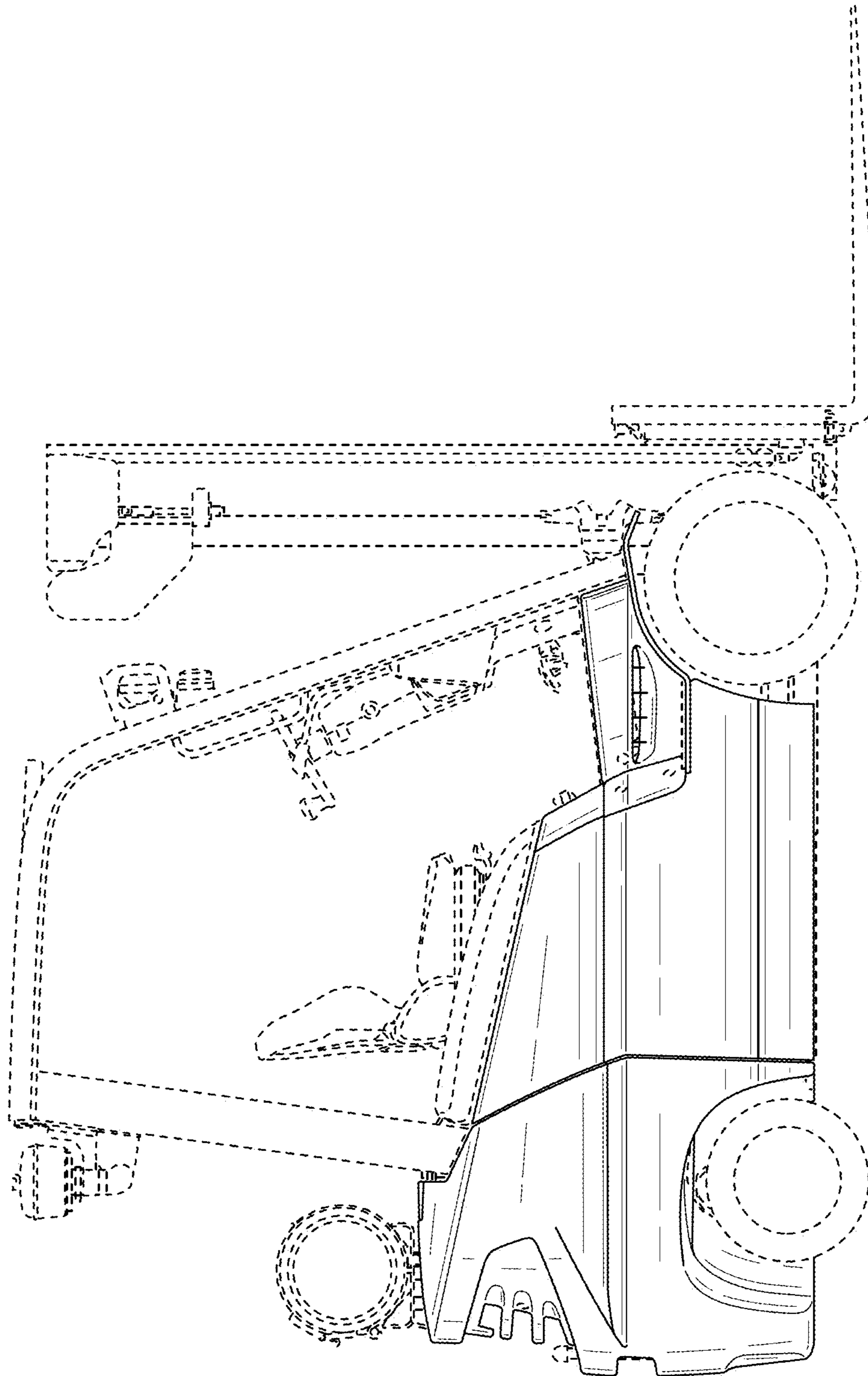


FIG. 4



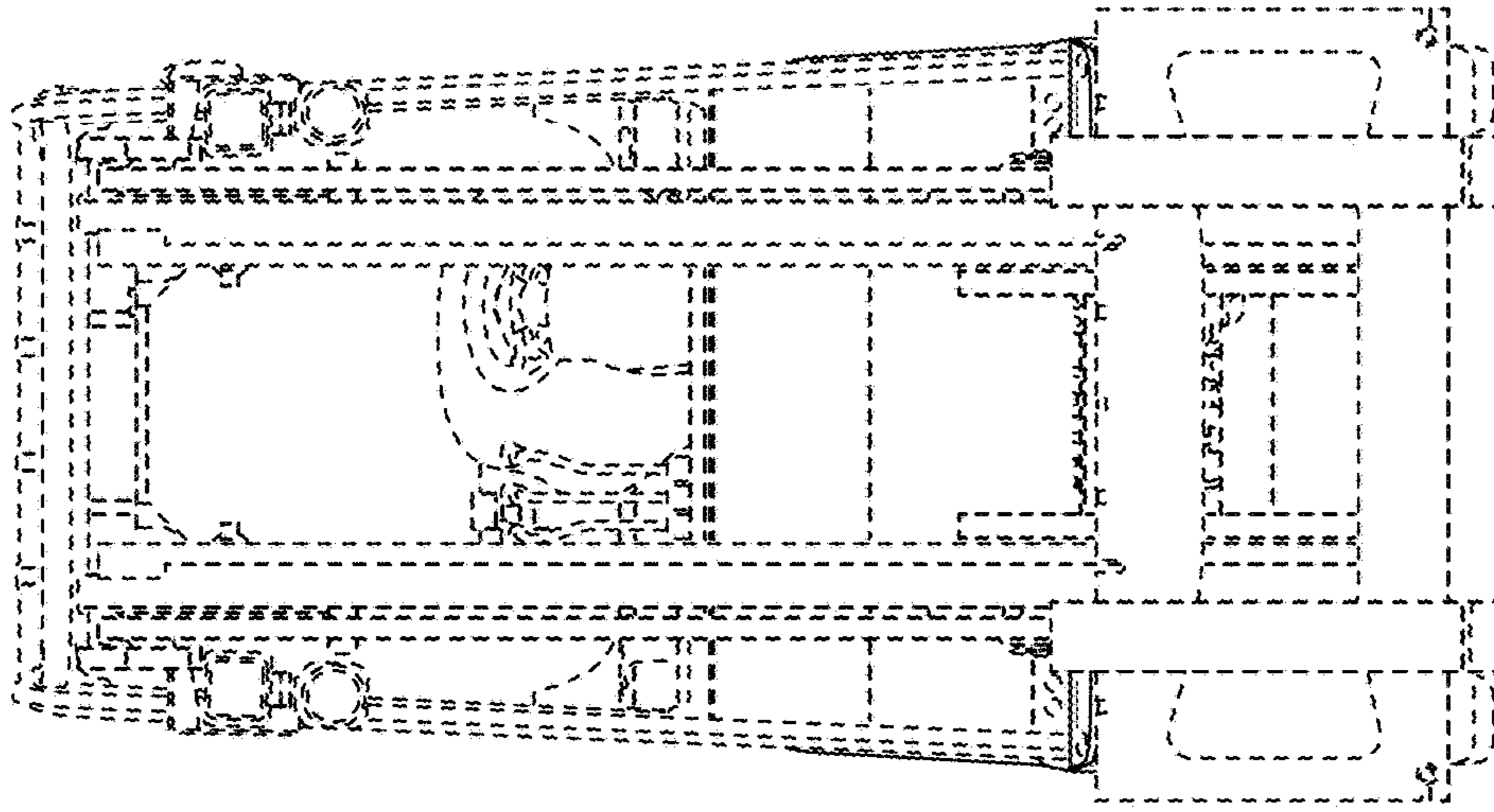


FIG. 6

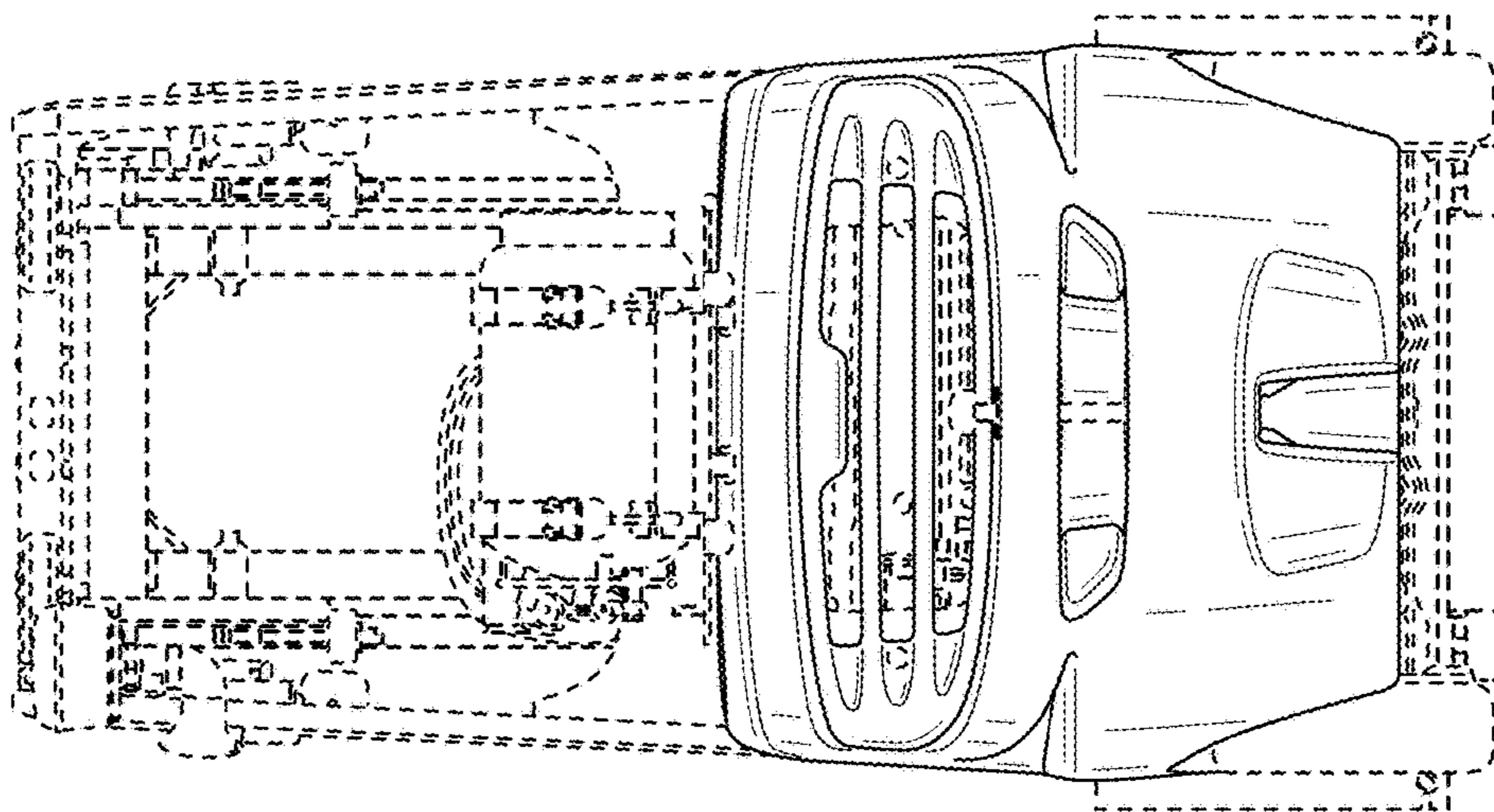


FIG. 5

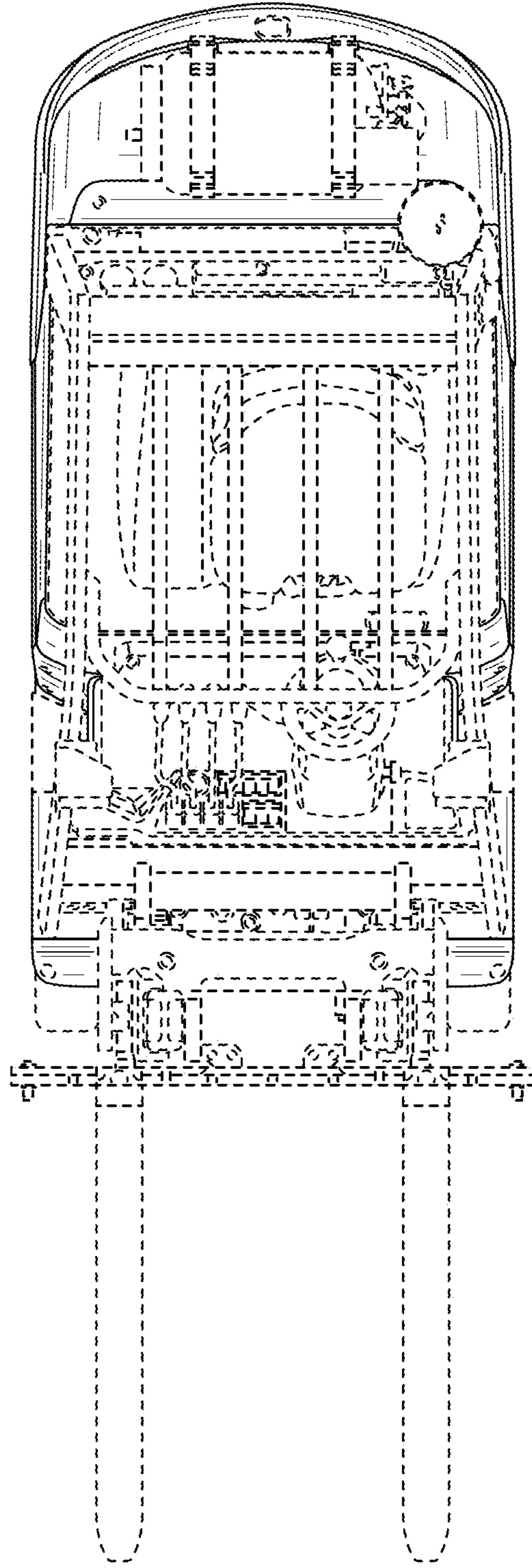


FIG. 7