

US00D818236S

(12) **United States Design Patent** (10) **Patent No.:** **US D818,236 S**  
**Choi et al.** (45) **Date of Patent:** **\*\* May 15, 2018**

(54) **DRYING RACK**  
(71) Applicants: **Sung H. Choi**, Mount Sinai, NY (US);  
**Hee Chang Lim**, Anyang (KR)  
(72) Inventors: **Sung H. Choi**, Mount Sinai, NY (US);  
**Hee Chang Lim**, Anyang (KR)  
(\*\*) Term: **15 Years**  
(21) Appl. No.: **29/583,436**  
(22) Filed: **Nov. 4, 2016**  
(51) **LOC (11) Cl.** ..... **07-05**  
(52) **U.S. Cl.**  
USPC ..... **D32/58**  
(58) **Field of Classification Search**  
USPC ..... D32/55, 276, 3, 58; D6/510, 525;  
211/41.5, 41.4, 41.3, 41.8, 195, 200;  
361/679.4; 312/311, 333, 334.4;  
D7/354, 629, 368  
CPC ..... A47J 47/20; A47J 2201/00; A47J 47/00;  
B65D 35/02; B65D 35/22; B65D 35/56  
See application file for complete search history.

D176,436 S \* 12/1955 Youhouse ..... D32/58  
D176,721 S \* 1/1956 Irwin ..... D32/58  
D183,499 S \* 9/1958 Simpson ..... D20/10  
D244,419 S \* 5/1977 Anderson ..... D32/58  
D255,315 S \* 6/1980 Koshiyama ..... D32/58  
D263,923 S \* 4/1982 Koshiyama ..... D32/58  
D265,045 S \* 6/1982 Taniyama ..... D32/58  
D342,357 S \* 12/1993 Balk ..... D32/58  
D376,480 S \* 12/1996 Whitehead ..... D32/58  
D383,274 S \* 9/1997 Wilson ..... D32/58  
D401,705 S \* 11/1998 Jones ..... D32/58  
D583,119 S \* 12/2008 Sofy ..... D32/55  
D639,517 S \* 6/2011 Furtner ..... D32/58  
D670,058 S \* 10/2012 Cooper ..... D32/58  
D683,096 S \* 5/2013 Stumpo ..... D32/58  
D687,203 S \* 7/2013 Long ..... D32/58  
D706,009 S \* 5/2014 Cooper ..... D32/55  
D739,628 S \* 9/2015 Ouyang ..... D32/58  
D741,037 S \* 10/2015 Mustari ..... D32/58  
D773,143 S \* 11/2016 Corless ..... D32/58

\* cited by examiner

*Primary Examiner* — Austin Murphy  
(74) *Attorney, Agent, or Firm* — Global Intellectual  
Property Agency, LLC; Daniel Boudwin

(57) **CLAIM**

The ornamental design for a drying rack, as shown and described.

(56) **References Cited**

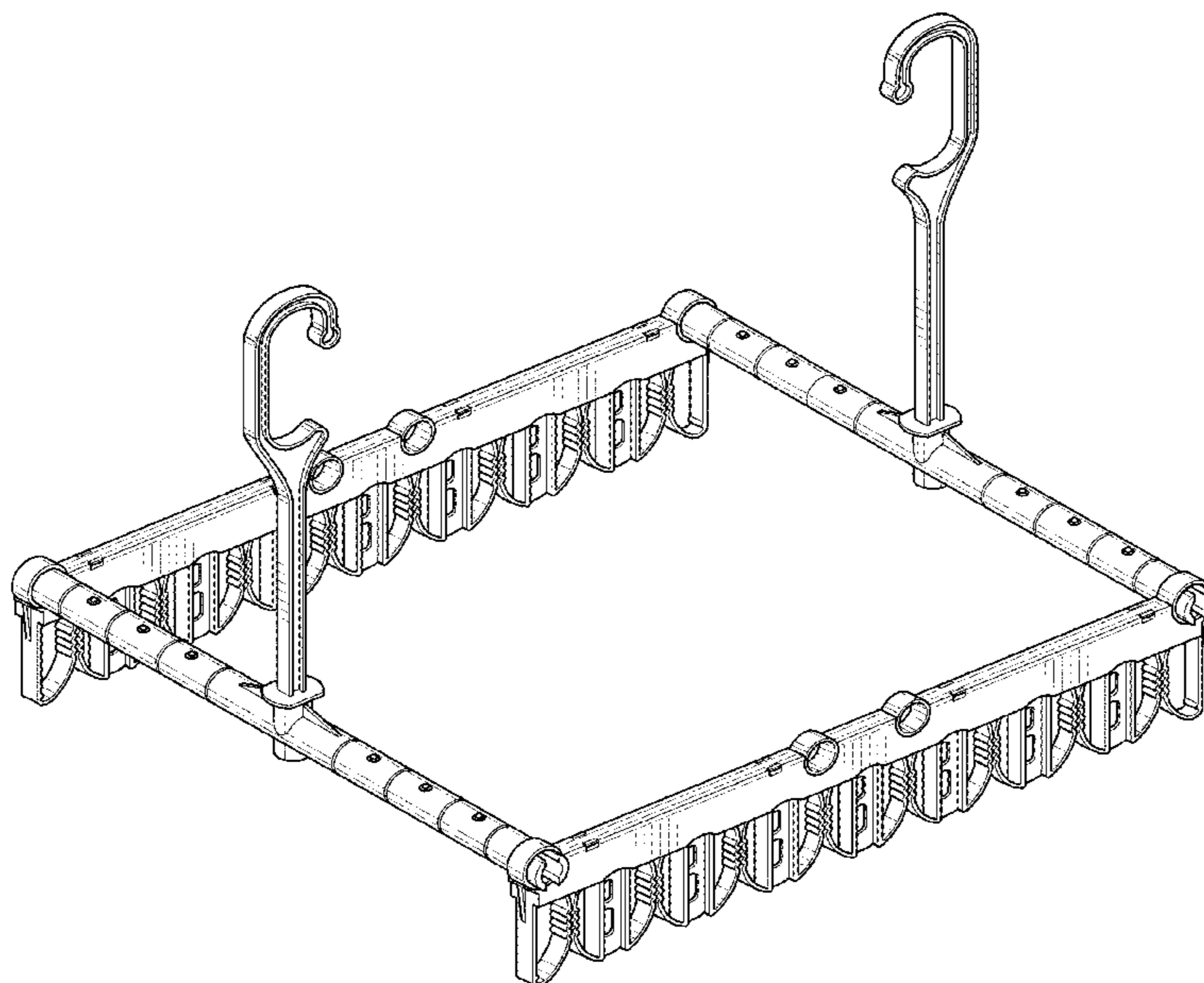
U.S. PATENT DOCUMENTS

D52,537 S \* 10/1918 Laing ..... D32/58  
D103,835 S \* 3/1937 Stanley ..... 223/85  
D136,003 S \* 7/1943 Aaronson ..... D32/58  
D137,368 S \* 2/1944 Aaronson ..... D32/58  
2,395,210 A \* 2/1946 Baril ..... D06F 57/12  
211/89.01  
D154,684 S \* 8/1949 Hufeld ..... D32/58  
2,521,889 A \* 9/1950 Yustin ..... D06C 3/00  
160/372  
D168,544 S \* 1/1953 Hiser ..... D11/144  
D176,087 S \* 11/1955 Terral ..... D32/58

**DESCRIPTION**

FIG. 1 shows a perspective view of a drying rack.  
FIG. 2 shows a front elevation view thereof.  
FIG. 3 shows a rear elevation view thereof.  
FIG. 4 shows a right side elevation view thereof.  
FIG. 5 shows a left side elevation view thereof.  
FIG. 6 shows a top elevation view thereof; and,  
FIG. 7 shows a bottom elevation view thereof.

**1 Claim, 7 Drawing Sheets**



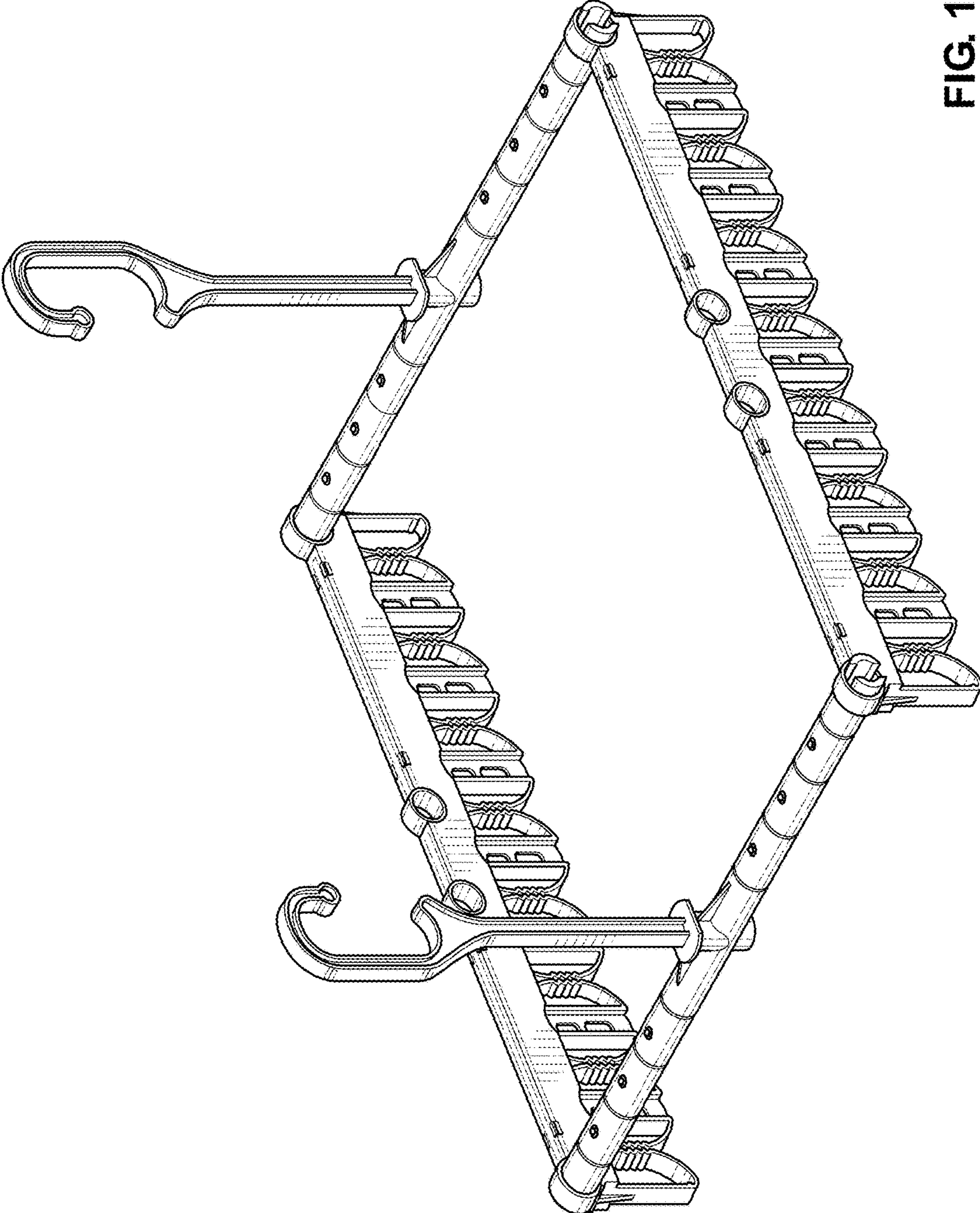


FIG. 1

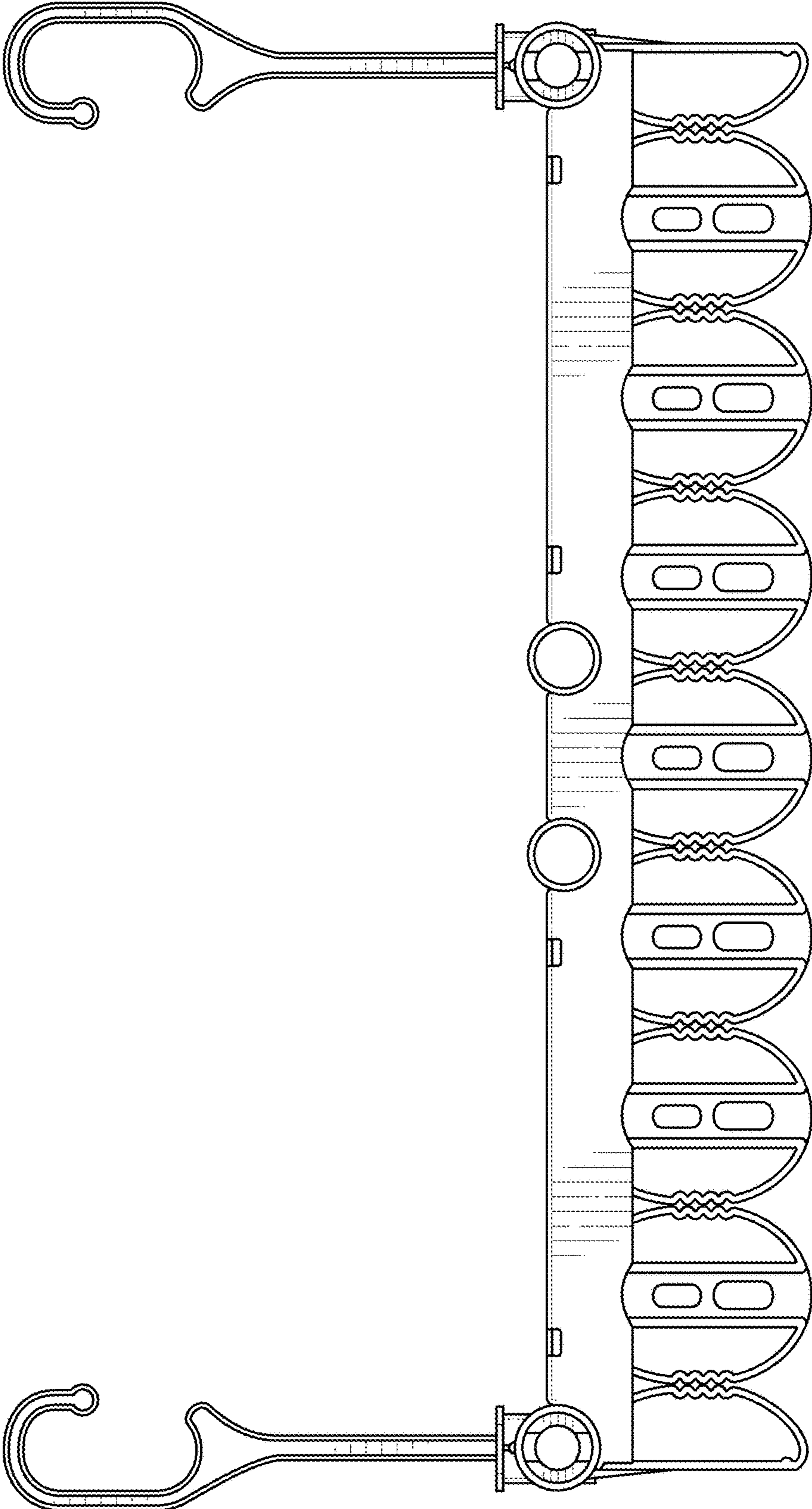


FIG. 2

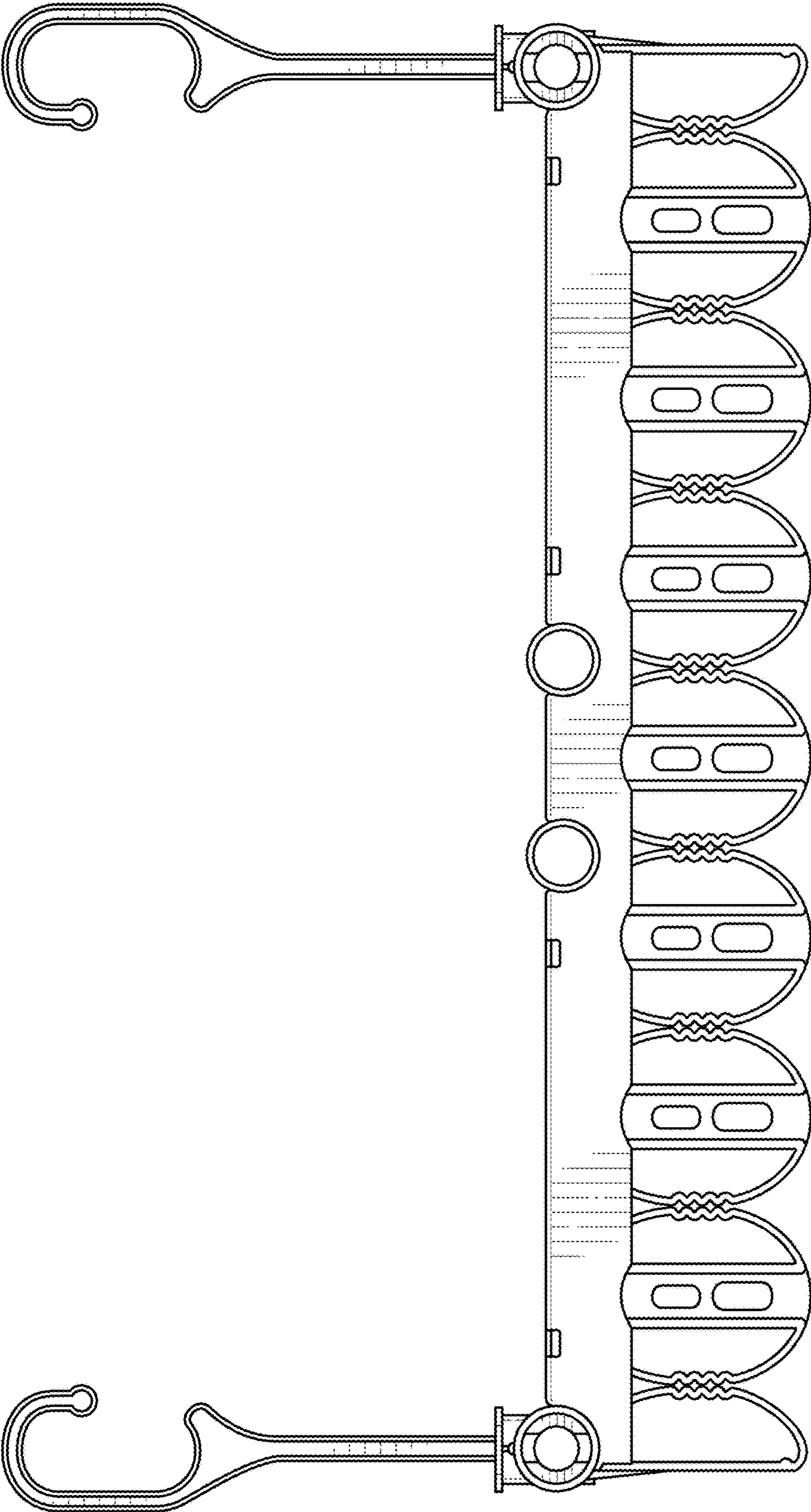


FIG. 3

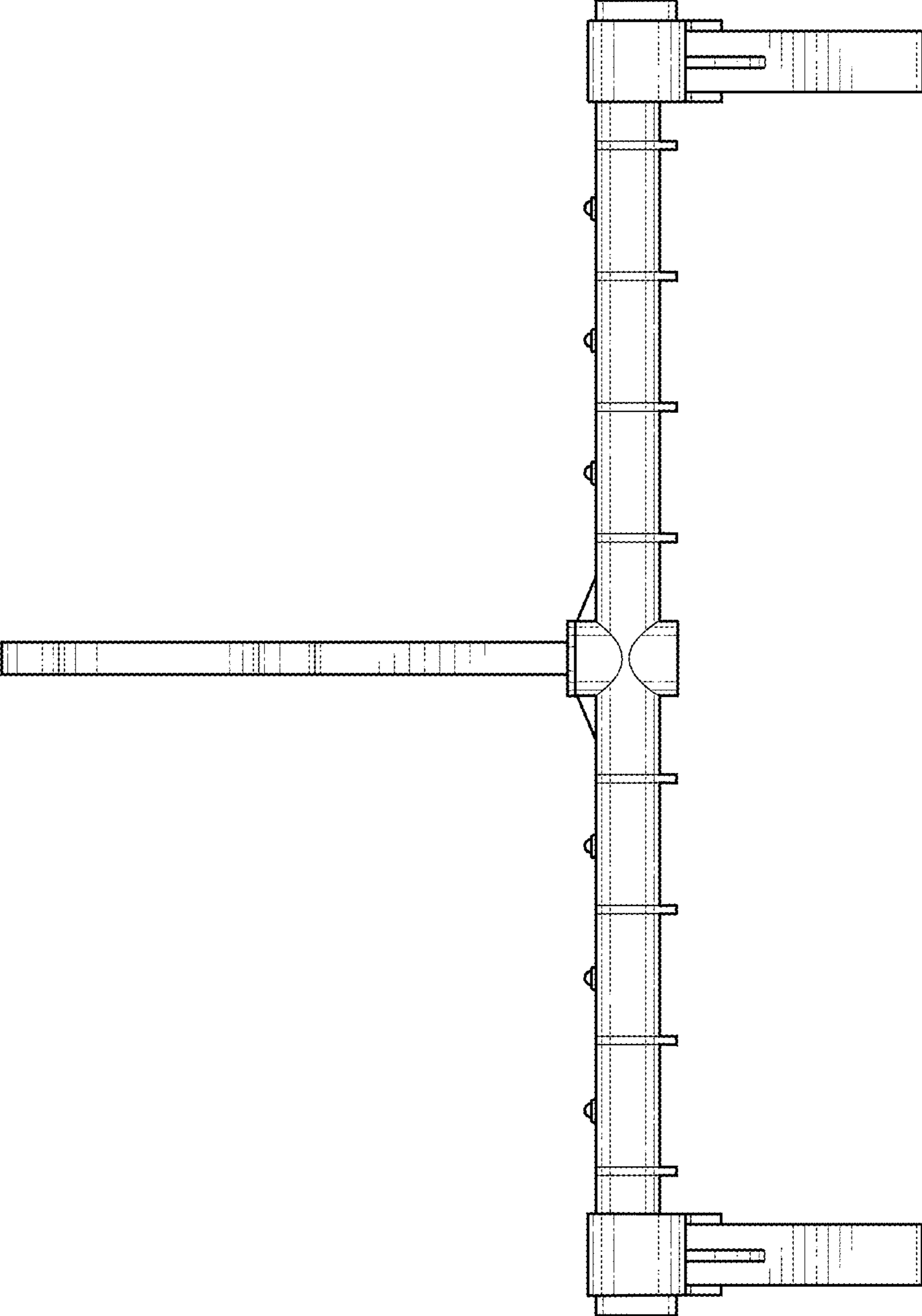


FIG. 4

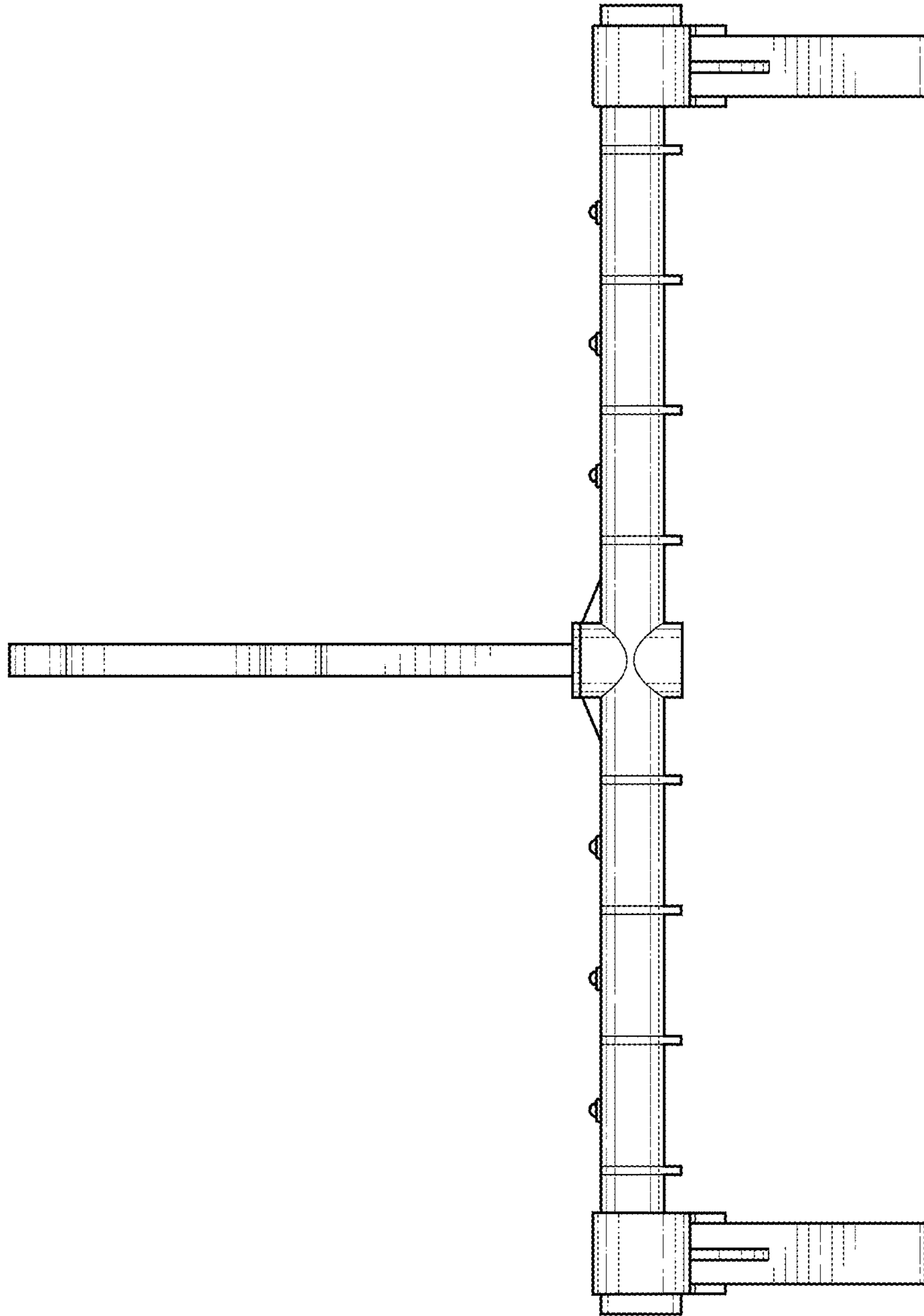


FIG. 5

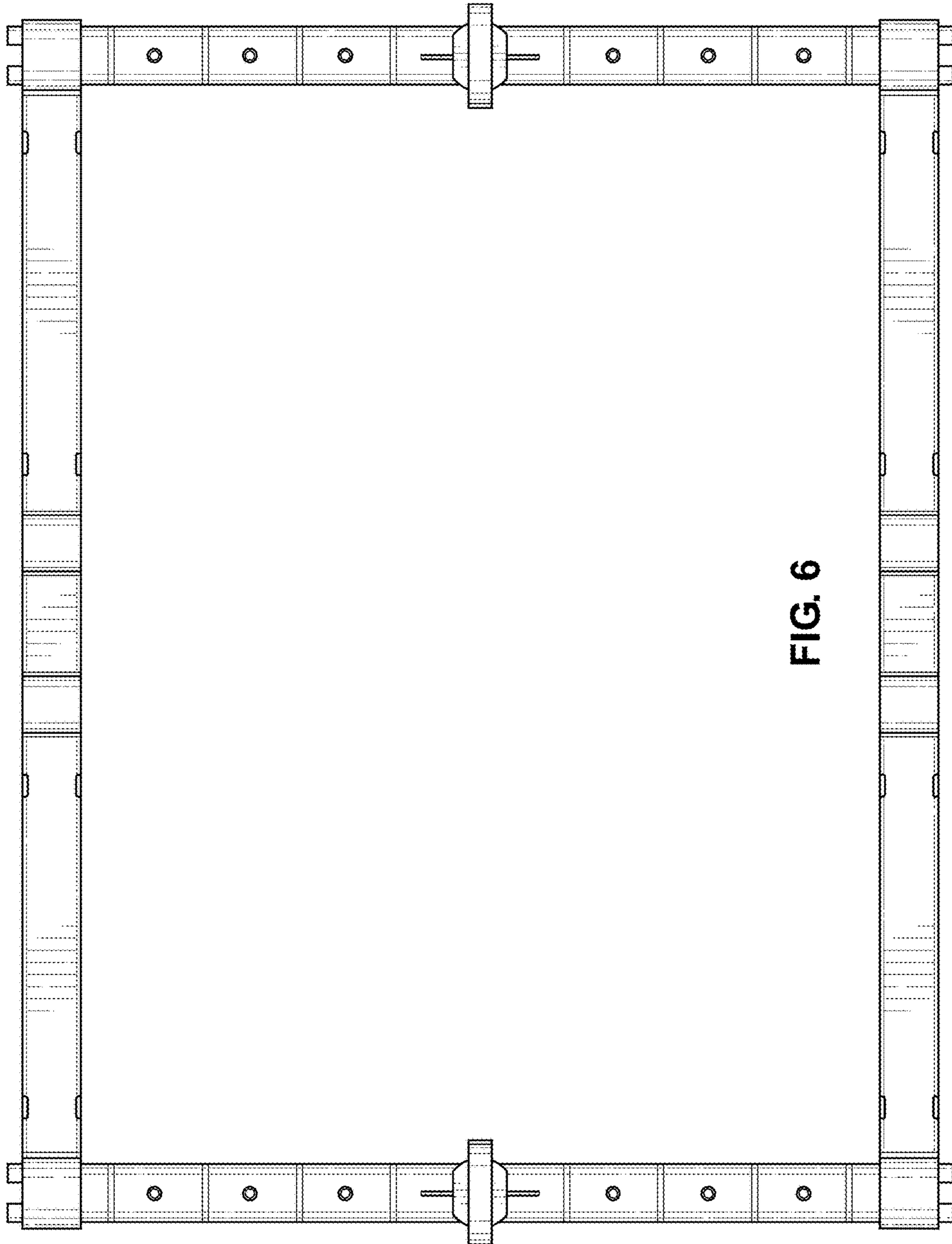


FIG. 6

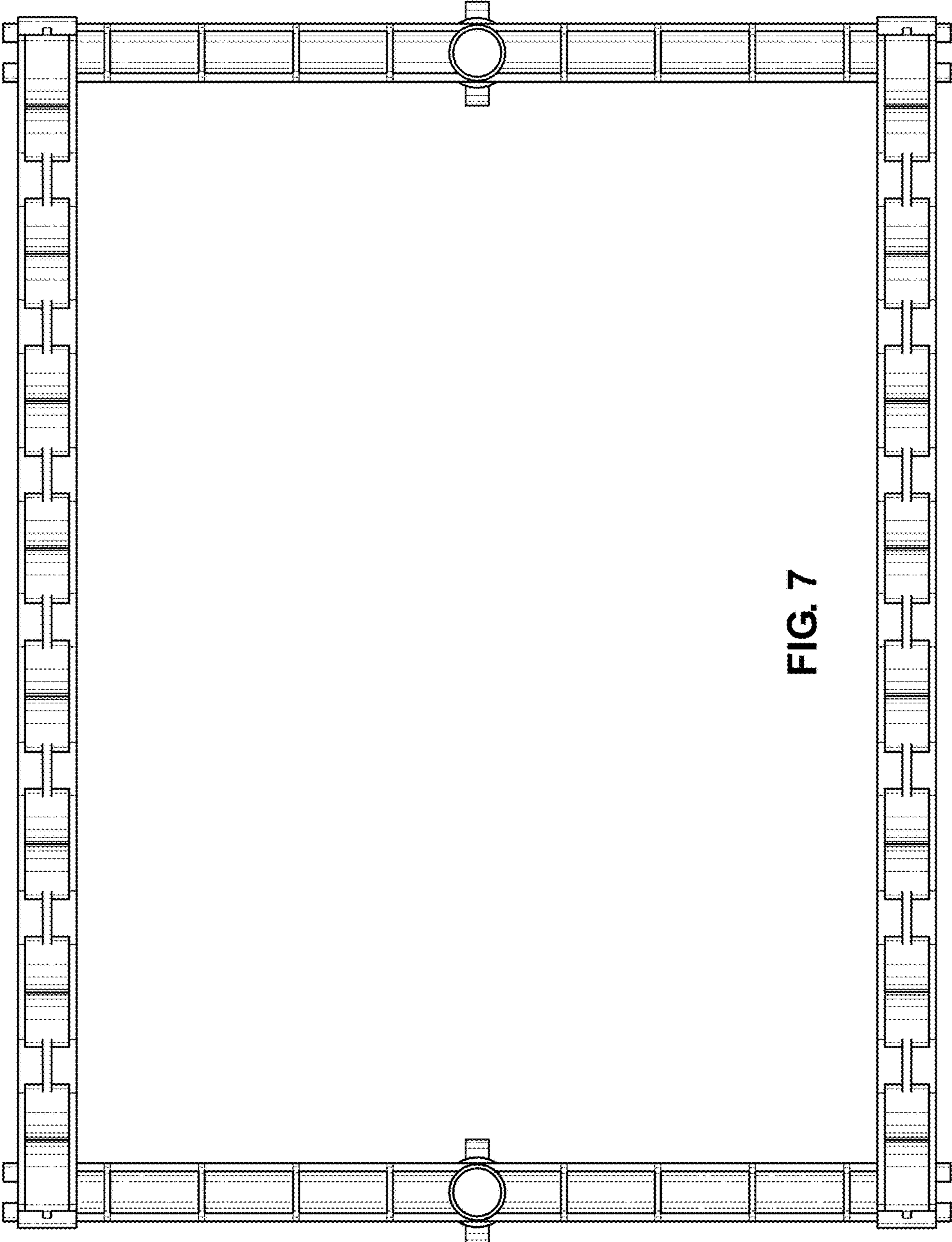


FIG. 7