



US00D818235S

(12) **United States Design Patent**
Luedke

(10) **Patent No.:** **US D818,235 S**

(45) **Date of Patent:** **** May 15, 2018**

(54) **MOP WRINGER**

D578,263 S * 10/2008 Pho D32/53
D643,982 S * 8/2011 Franklin D32/53
D756,582 S * 5/2016 Libman D32/53

(71) Applicant: **Rubbermaid Commercial Products LLC**, Atlanta, GA (US)

* cited by examiner

(72) Inventor: **Adam Luedke**, Kalamazoo, MI (US)

Primary Examiner — Robin V Webster

(73) Assignee: **Rubbermaid Commercial Products LLC**, Atlanta, GA (US)

(74) *Attorney, Agent, or Firm* — Eversheds Sutherland (US) LLP

(**) Term: **15 Years**

(57) **CLAIM**

(21) Appl. No.: **29/607,090**

I claim the ornamental design for a mop wringer, as shown and described.

(22) Filed: **Jun. 9, 2017**

DESCRIPTION

(51) **LOC (11) Cl.** **07-07**

FIG. 1 is an upper perspective view from a first side showing my new design for a mop wringer;

(52) **U.S. Cl.**
USPC **D32/53; D32/54**

FIG. 2 is an upper perspective view from a second side showing the design of FIG. 1;

(58) **Field of Classification Search**
USPC D32/53, 53.1, 54
See application file for complete search history.

FIG. 3 is a front view showing the design of FIG. 1;
FIG. 4 is a rear view showing the design of FIG. 1;
FIG. 5 is a top view showing the design of FIG. 1;
FIG. 6 is a bottom view showing the design of FIG. 1;
FIG. 7 is a first side view showing the design of FIG. 1;
FIG. 8 is a second side view showing the design of FIG. 1;
FIG. 9 is an enlarged partial front view showing a detail of FIGS. 3; and,
FIG. 10 is an enlarged partial front view showing a detail of FIG. 1.

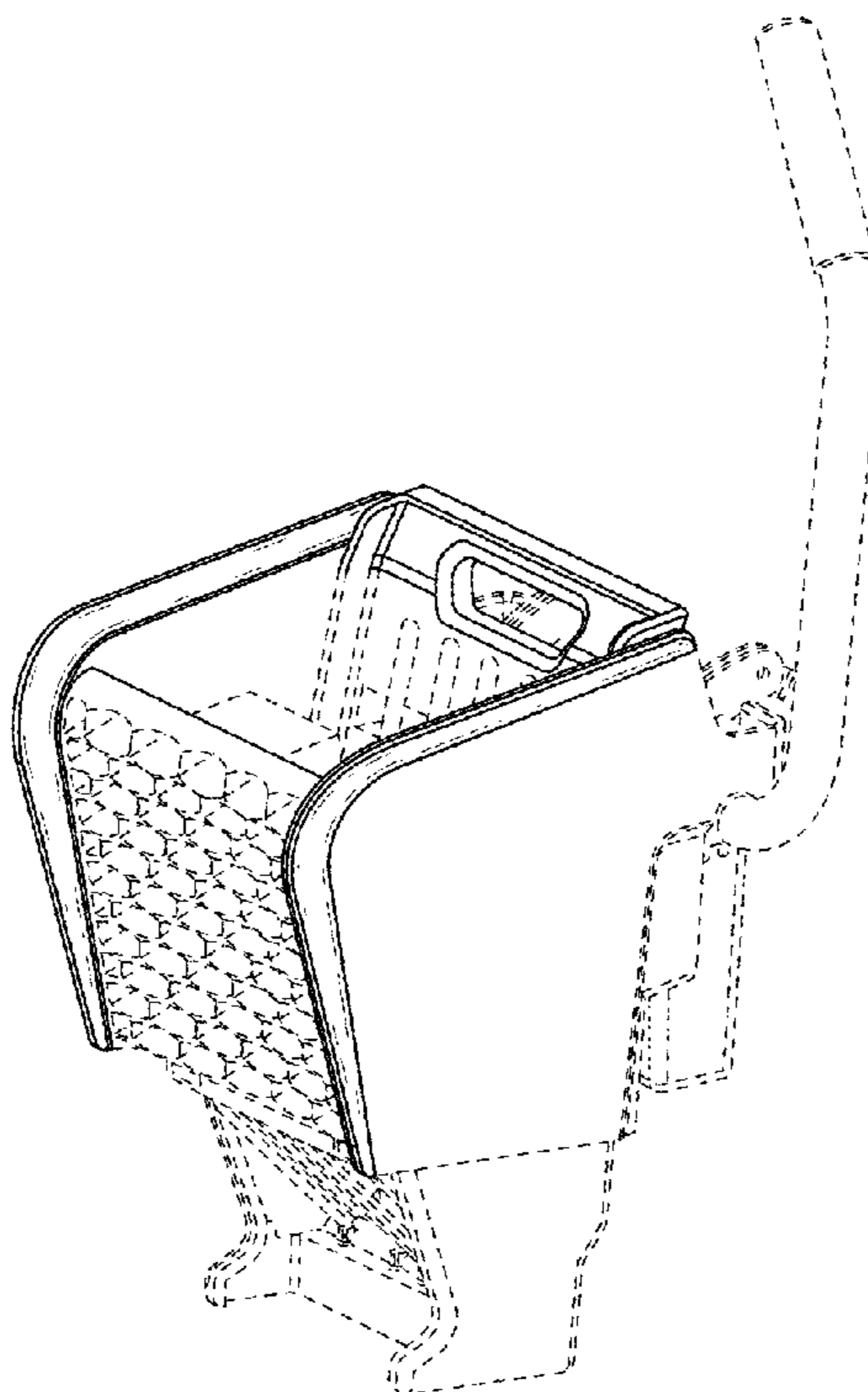
(56) **References Cited**

U.S. PATENT DOCUMENTS

D305,170 S * 12/1989 Jaros D32/54
D338,299 S * 8/1993 Delmerico D32/54
D362,941 S * 10/1995 Delmerico D32/53
6,374,867 B1 * 4/2002 Maiuro A47J 47/18
141/115
D542,494 S * 5/2007 Lauer D32/53
D542,992 S * 5/2007 Lauer D32/53
D550,418 S * 9/2007 Weaver D32/53

In FIGS. 1-10, the broken lines are for purposes of illustration only, and do not form a part of the claimed design.

1 Claim, 5 Drawing Sheets



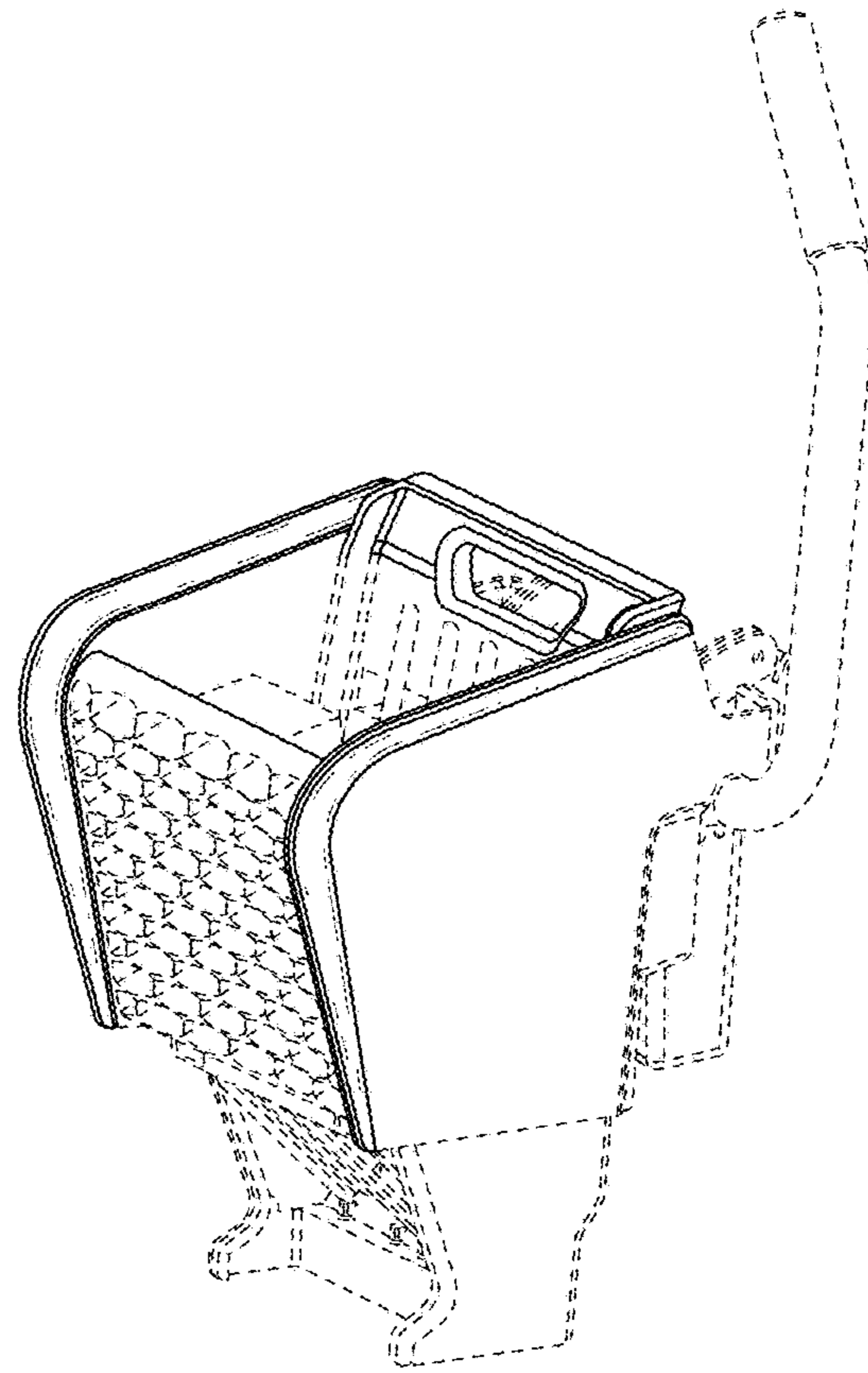


FIG. 1

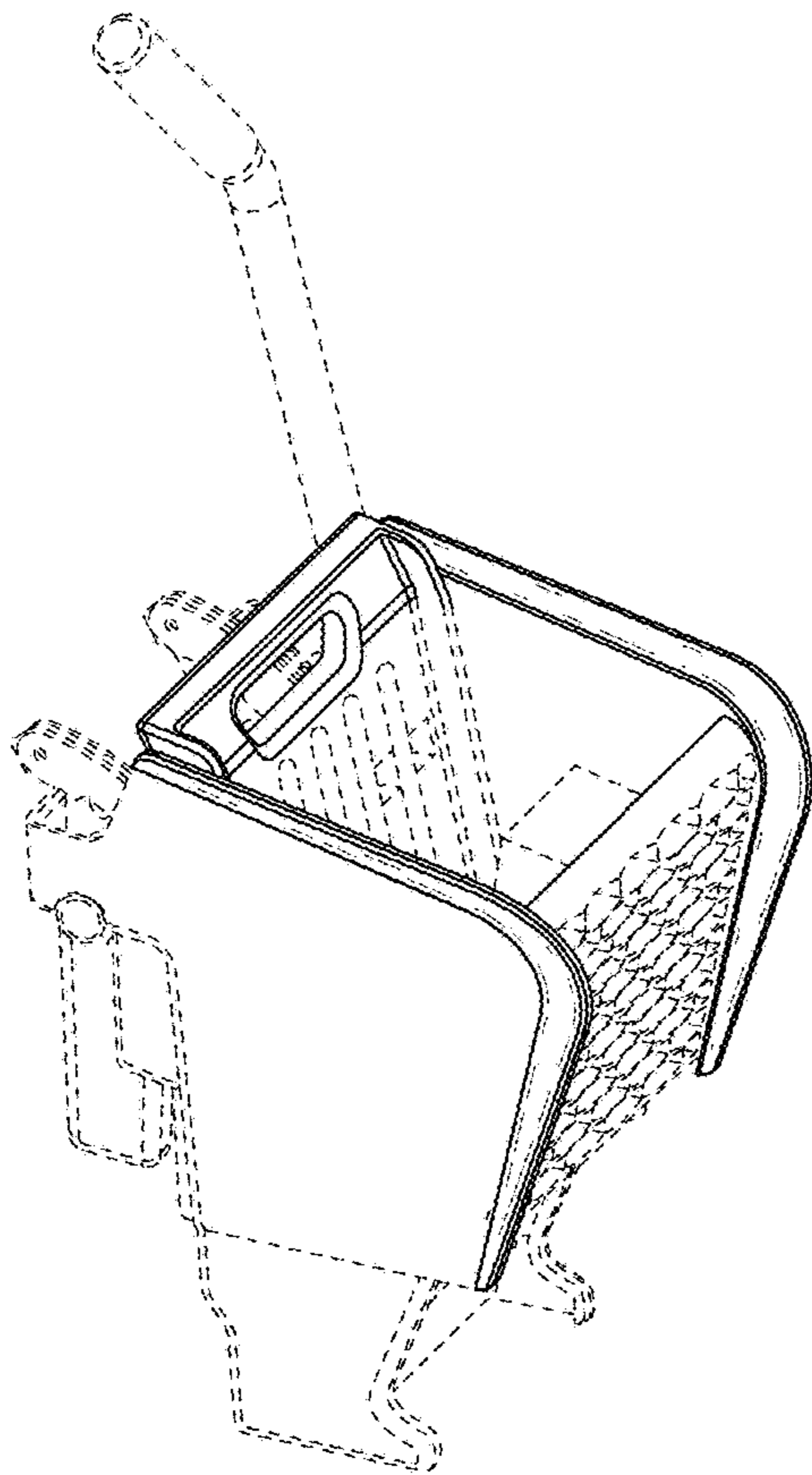


FIG. 2

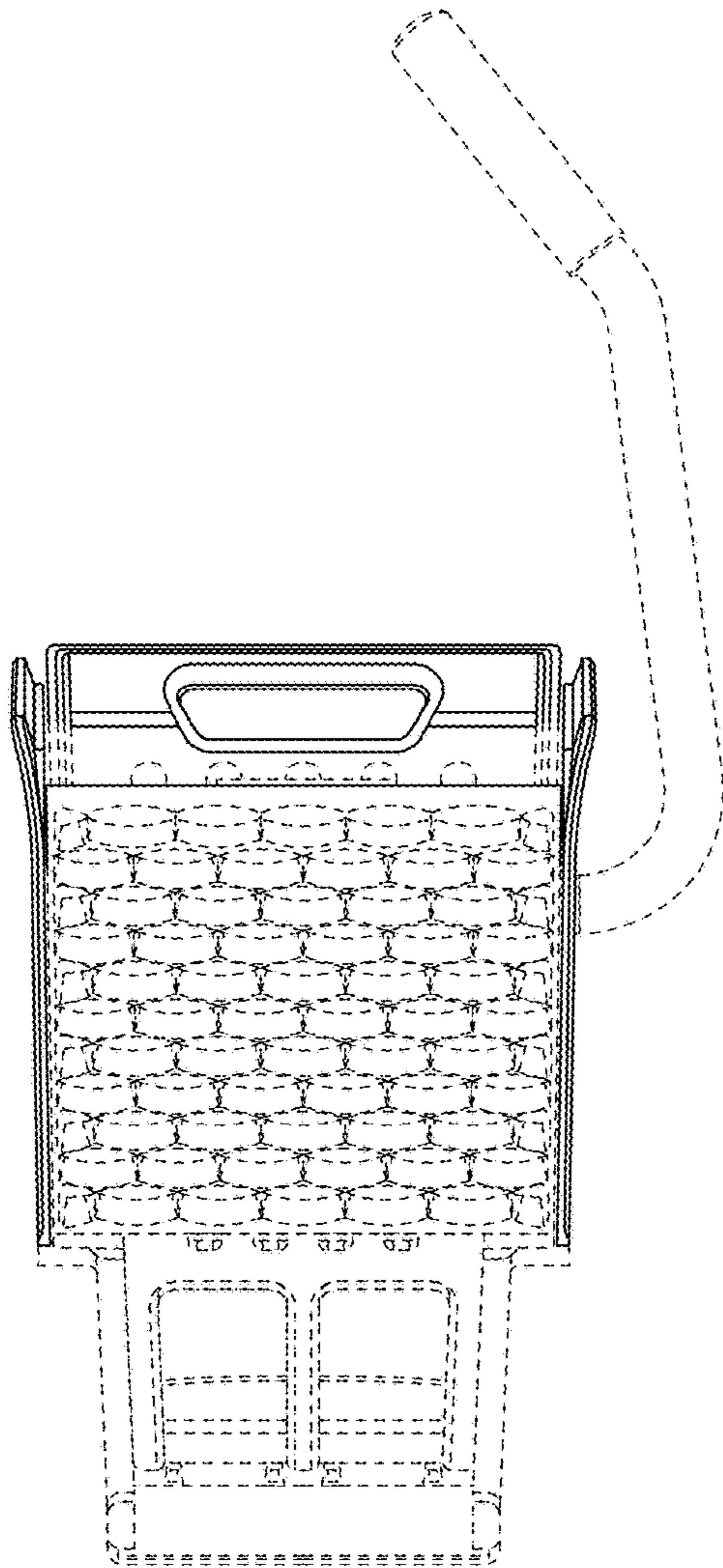


FIG. 3

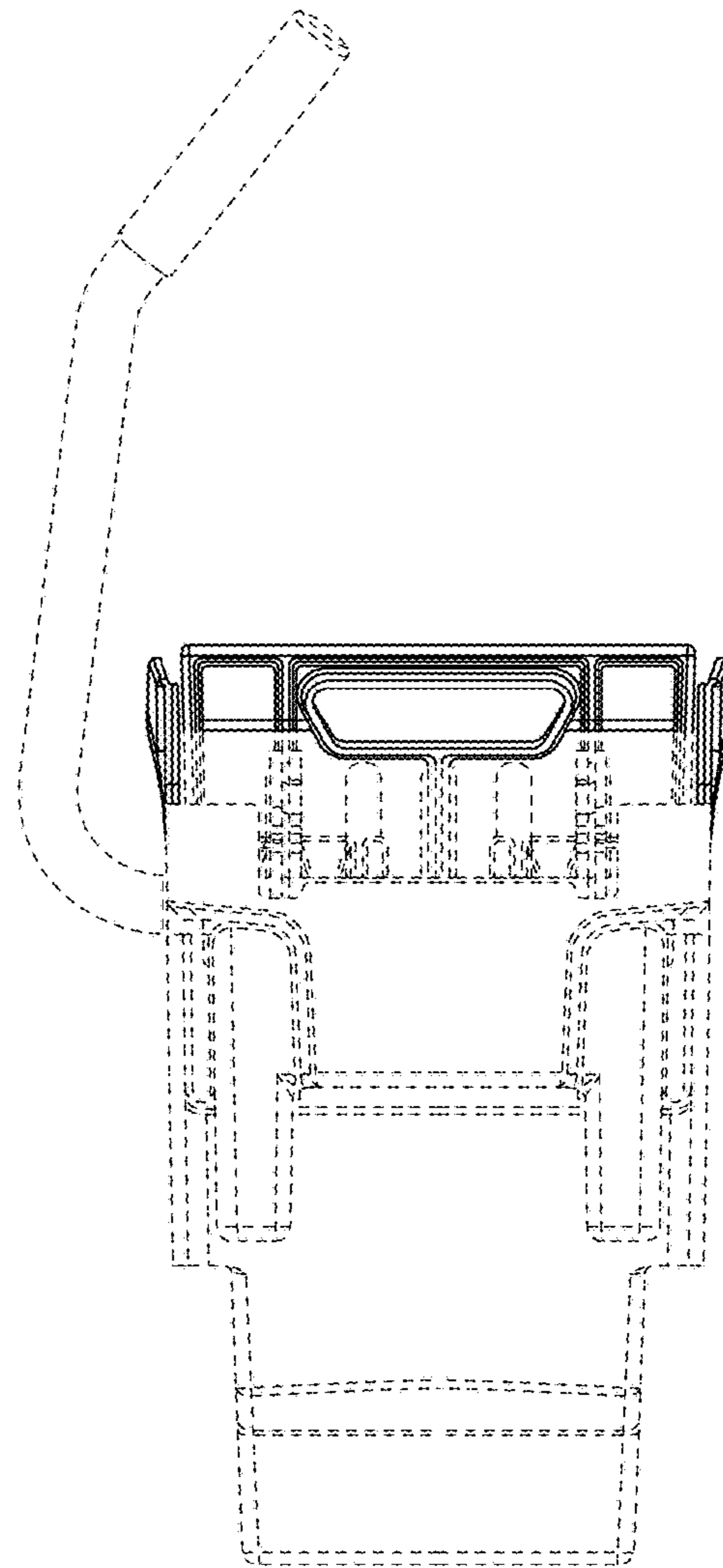


FIG. 4

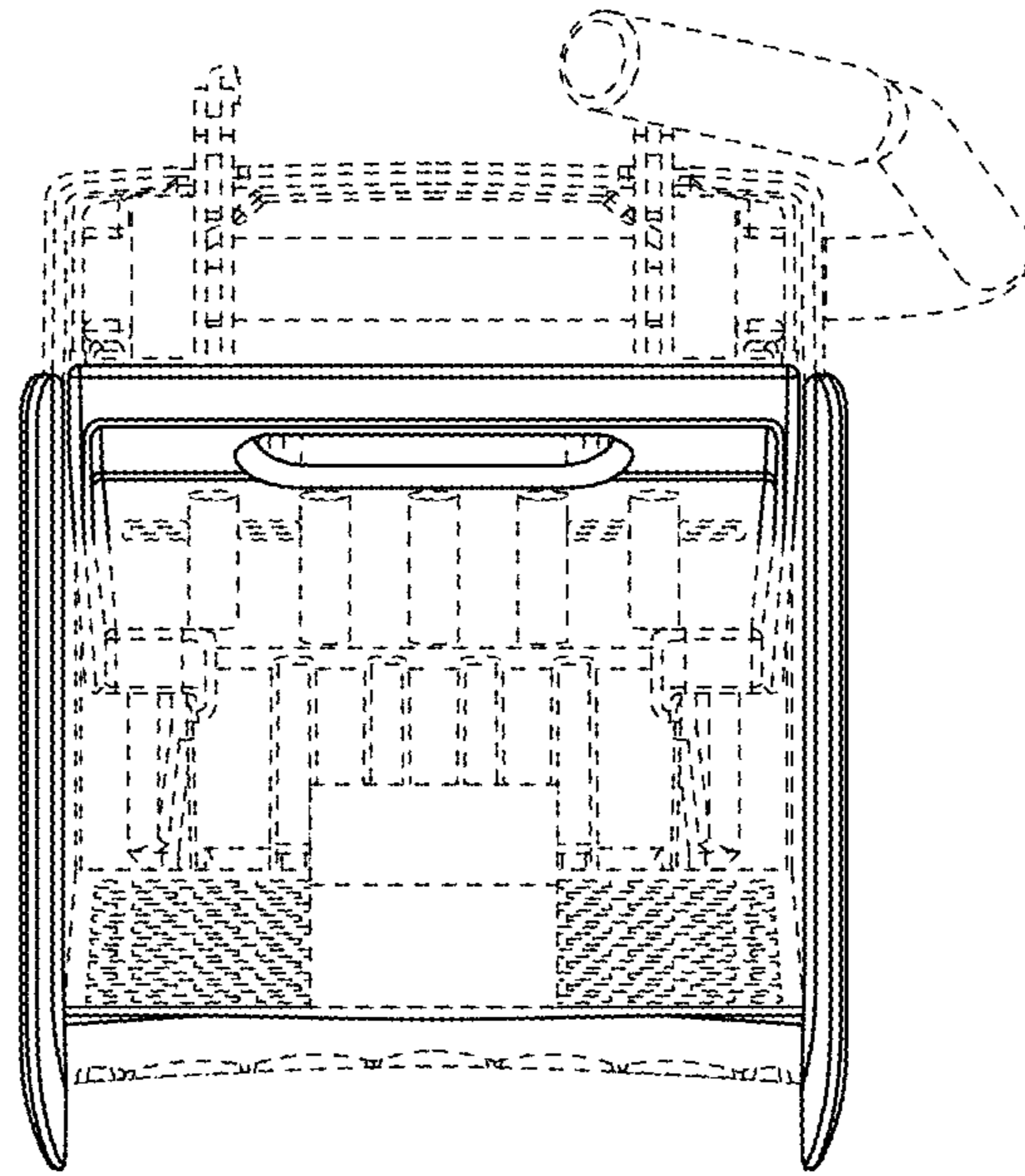


FIG. 5

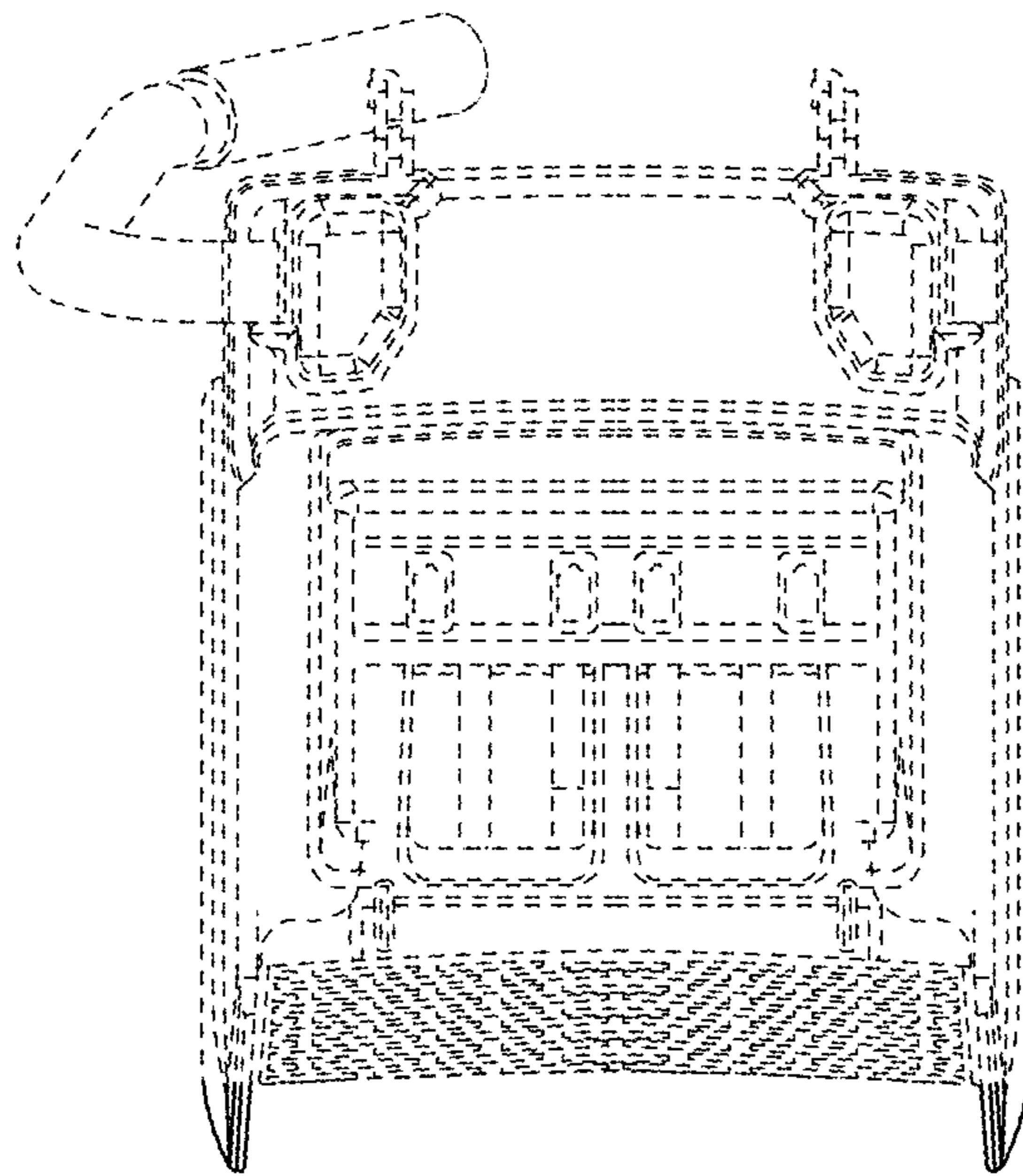


FIG. 6

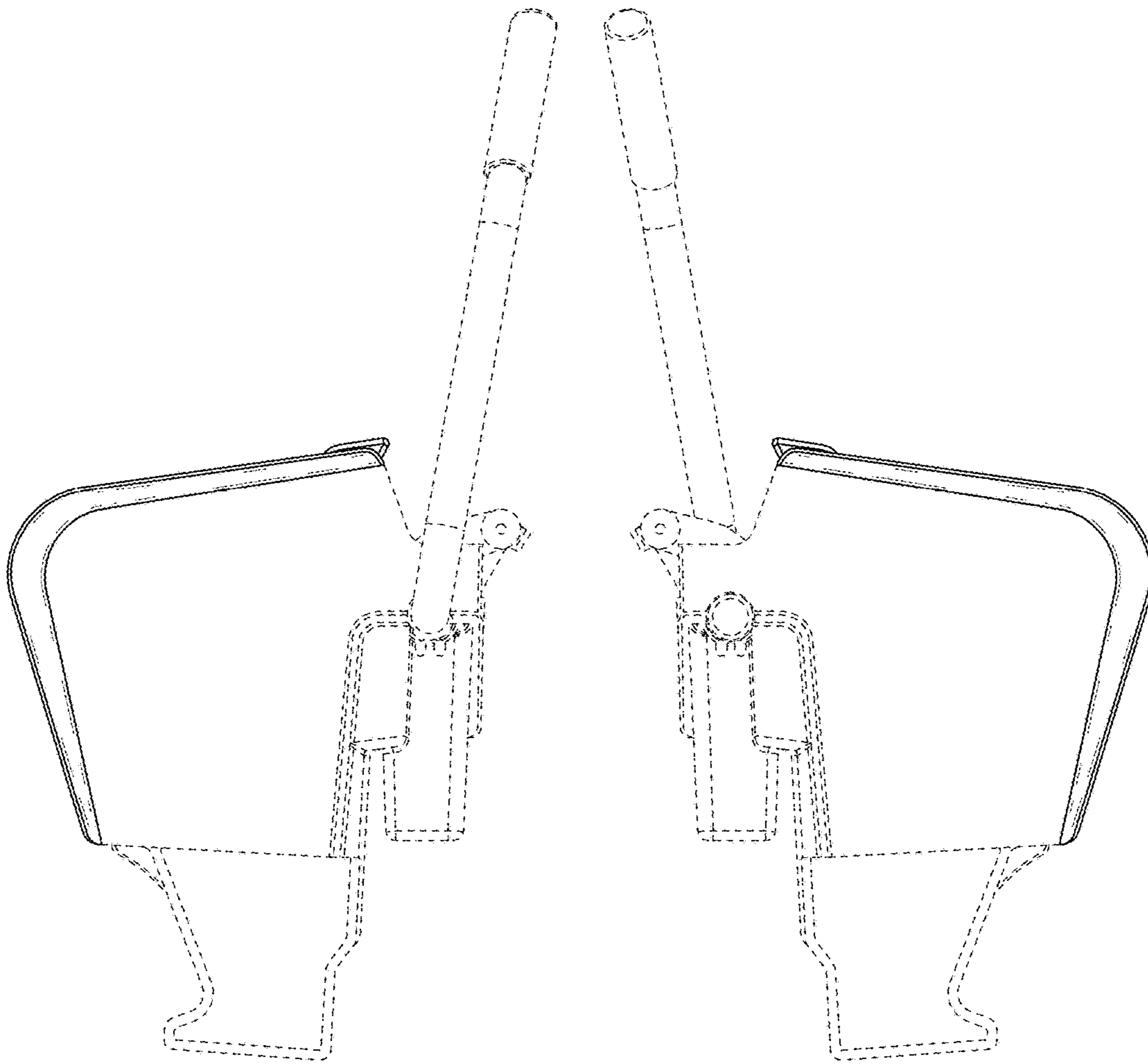


FIG. 7

FIG. 8

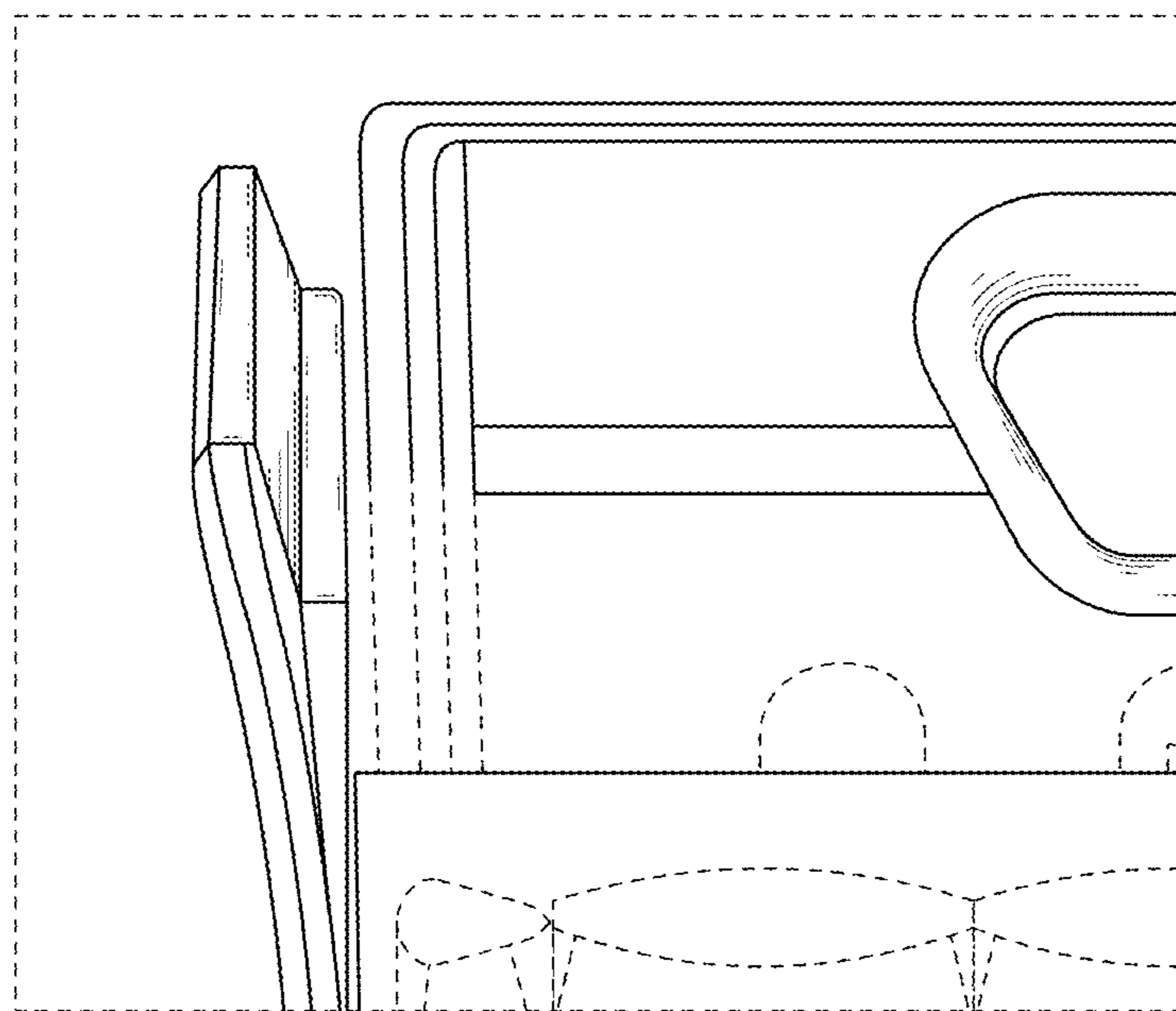


FIG. 9

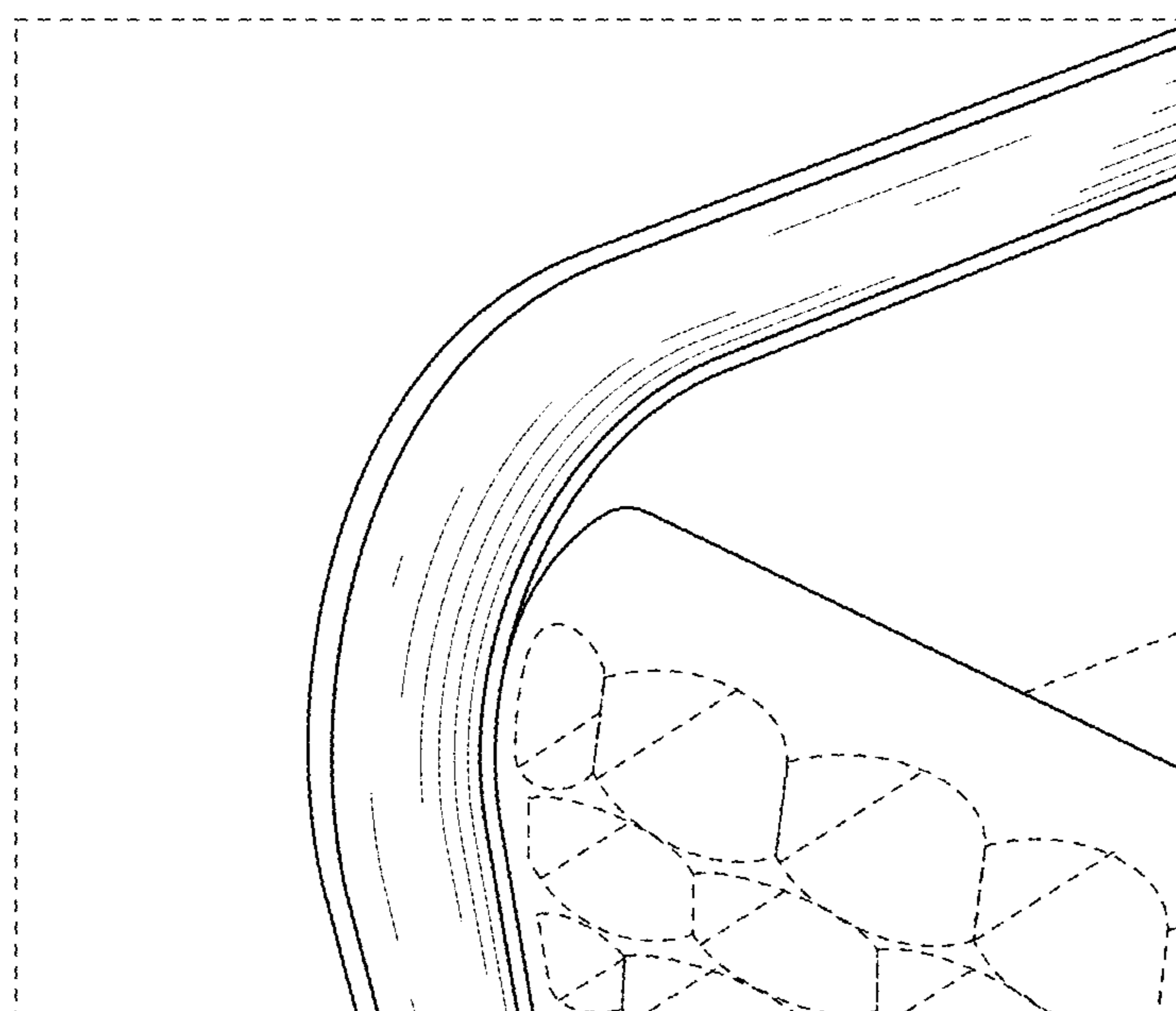


FIG. 10