



US00D818234S

(12) **United States Design Patent** (10) **Patent No.:** **US D818,234 S**
Luedke (45) **Date of Patent:** **** May 15, 2018**

(54) **MOP BUCKET**
(71) Applicant: **Rubbermaid Commercial Products LLC, Atlanta, GA (US)**
(72) Inventor: **Adam Luedke, Kalamazoo, MI (US)**
(73) Assignee: **Rubbermaid Commercial Products LLC, Atlanta, GA (US)**

3,995,434 A 12/1976 Kato
4,135,530 A 1/1979 Cheney
4,249,666 A 2/1981 Hubert et al.
D270,961 S 10/1983 Hawkins et al.
4,827,562 A 5/1989 Blase et al.
D305,467 S 1/1990 Dagge
D305,948 S 2/1990 Rentz
5,086,917 A 2/1992 Dziersk et al.
D350,632 S 9/1994 Cummins
5,346,371 A 9/1994 Bialy et al.
D353,241 S 12/1994 Breen

(**) Term: **15 Years**

(Continued)

(21) Appl. No.: **29/607,089**
(22) Filed: **Jun. 9, 2017**
(51) **LOC (11) Cl.** **07-07**
(52) **U.S. Cl.**
USPC **D32/53**
(58) **Field of Classification Search**
USPC D32/53, 53.1, 54
See application file for complete search history.

FOREIGN PATENT DOCUMENTS

EP 0781524 A2 7/1997
WO 95/27433 10/1995

Primary Examiner — Robin V Webster
(74) *Attorney, Agent, or Firm* — Eversheds Sutherland (US) LLP

(57) **CLAIM**

I claim the ornamental design for a mop bucket, as shown and described.

(56) **References Cited**

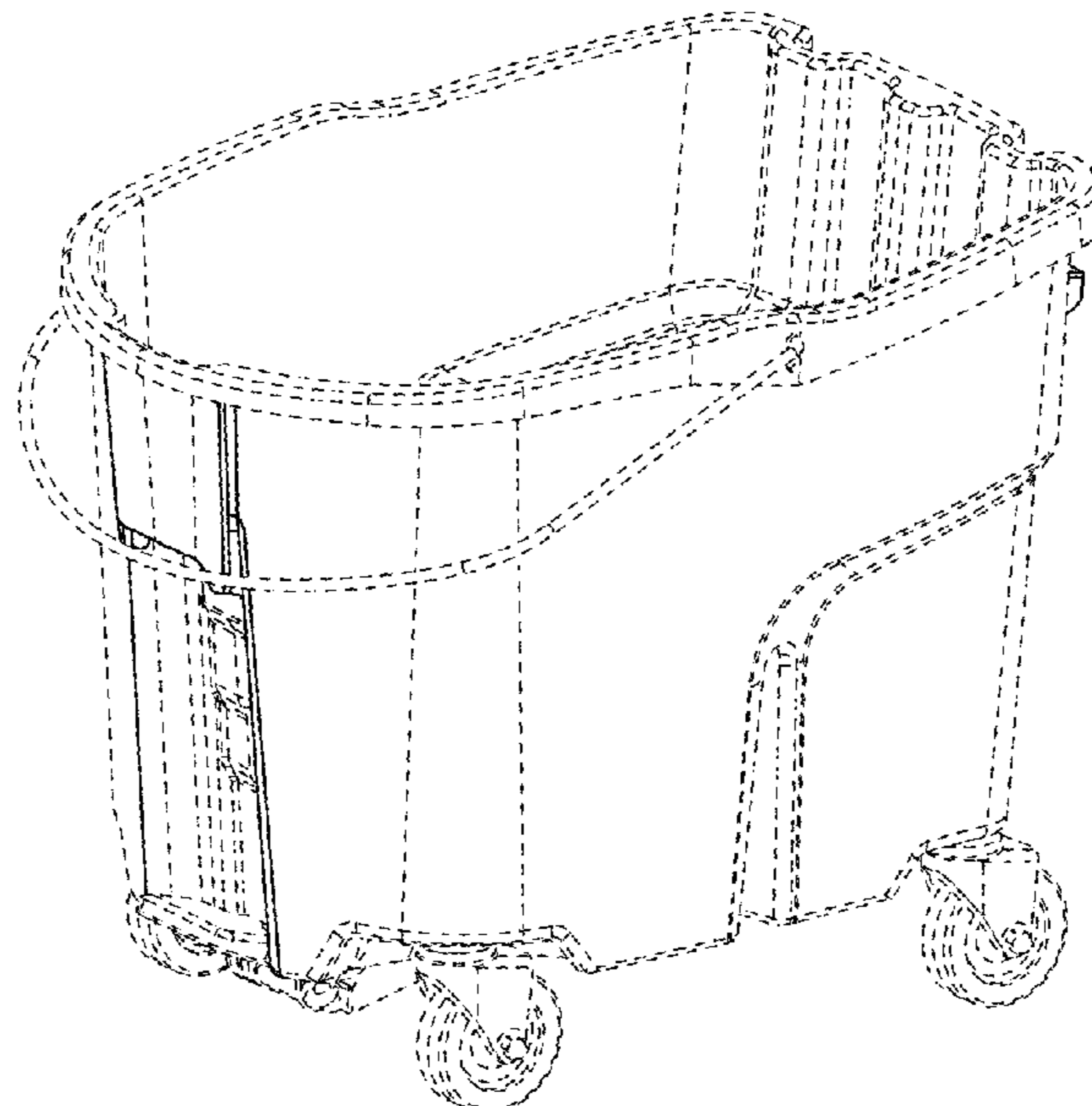
DESCRIPTION

U.S. PATENT DOCUMENTS

D28,095 S 12/1897 Mills
D28,326 S 3/1898 Joy
664,185 A 12/1900 Stran
D107,096 S 11/1937 Rideout
2,144,945 A 1/1939 Sutton
2,149,255 A 3/1939 Fader
2,255,091 A 9/1941 Vaughn
2,321,981 A 6/1943 Bowers
2,392,208 A 1/1946 Wilken
2,671,239 A 3/1954 Wisner
2,860,809 A 11/1958 Perry
3,009,603 A 11/1961 Stockdale
3,027,041 A 3/1962 Stansbury, Jr. et al.
3,341,876 A 9/1967 Campbell
3,844,441 A 10/1974 Clark
3,935,962 A 2/1976 Schubert et al.

FIG. 1 is an upper perspective view from a first side showing my new design for a mop bucket;
FIG. 2 is an upper perspective view from a second side showing the design of FIG. 1;
FIG. 3 is a front view showing the design of FIG. 1;
FIG. 4 is a rear view showing the design of FIG. 1;
FIG. 5 is a top view showing the design of FIG. 1;
FIG. 6 is a bottom view showing the design of FIG. 1; and,
FIG. 7 is a side view showing the design of FIG. 1, with the opposite side view being a mirror image thereof.
In FIGS. 1-7, the broken lines are for purposes of illustration only, and do not form a part of the claimed design.

1 Claim, 4 Drawing Sheets



(56)

References Cited

U.S. PATENT DOCUMENTS

5,397,036	A	3/1995	Maiwald	
2,013,577	A	9/1995	Pardee	
D374,321	S	10/1996	Mandell et al.	
5,641,087	A	6/1997	Moffitt	
D395,531	S	6/1998	Mandall et al.	
D407,878	S	4/1999	Carlson	
D408,602	S	4/1999	Carlson	
5,971,199	A	10/1999	Jackson et al.	
D417,051	S	11/1999	Dickinson et al.	
D426,361	S	6/2000	Young	
D429,396	S	8/2000	Houry et al.	
D429,862	S	8/2000	Houry et al.	
6,115,877	A	9/2000	Morad	
6,220,287	B1	4/2001	Wolf	
6,560,815	B1	5/2003	Brennan et al.	
D489,852	S	5/2004	Perelli	
D495,448	S	8/2004	Moforis	
D530,870	S *	10/2006	Lauer	D32/53
D536,851	S *	2/2007	Lauer	D32/53
7,571,831	B2	8/2009	Hicks et al.	
D619,318	S *	7/2010	Miller	D32/53
D641,116	S *	7/2011	Jones	D32/53
8,615,842	B2	12/2013	Treacy	
8,770,432	B2 *	7/2014	Rueckheim	A47L 13/58 206/504
2002/0120997	A1	9/2002	Alt	
2003/0217428	A1	11/2003	Perelli	
2005/0252921	A1	11/2005	Van Ledingham, Jr.	

* cited by examiner

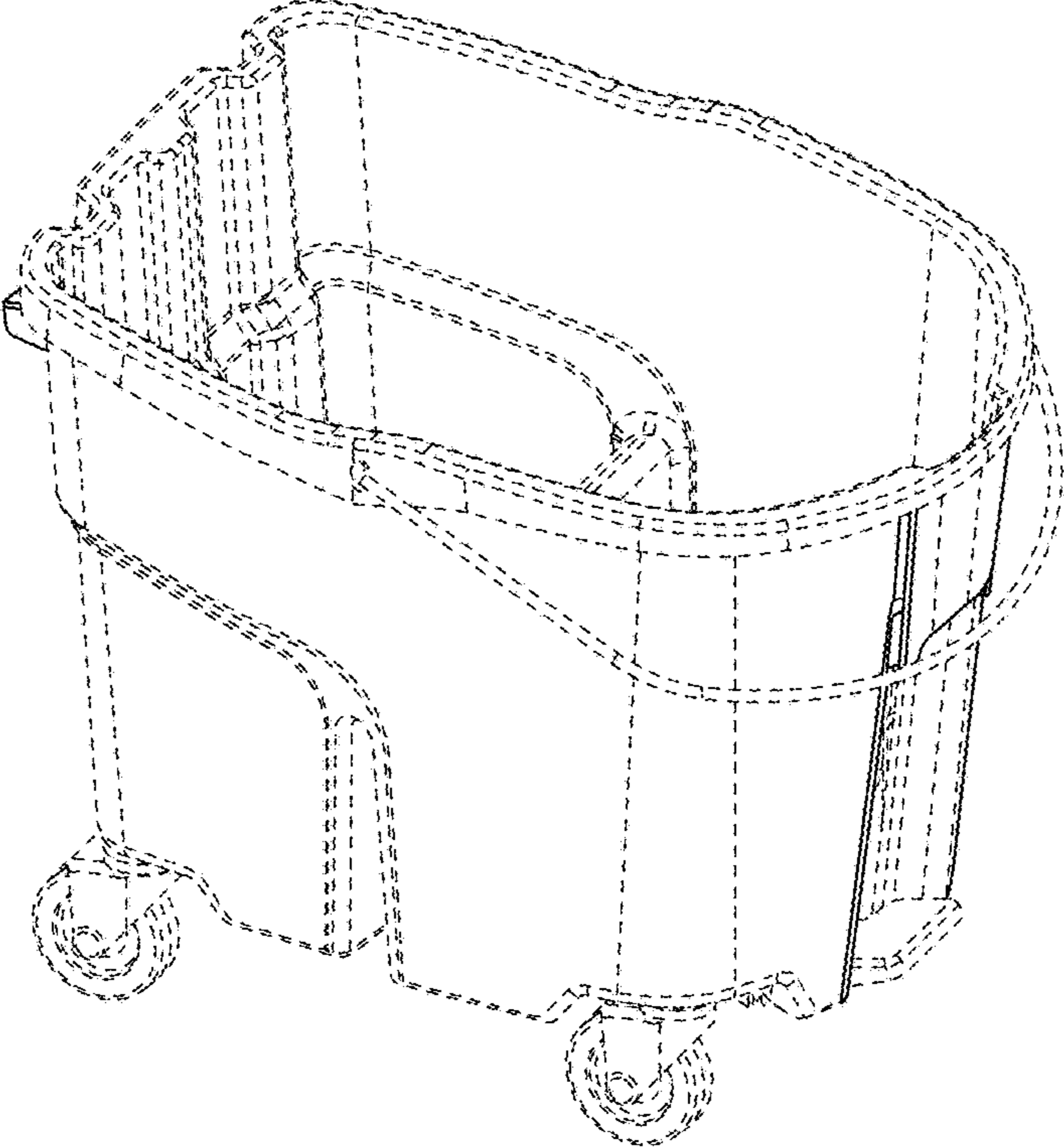


FIG. 1

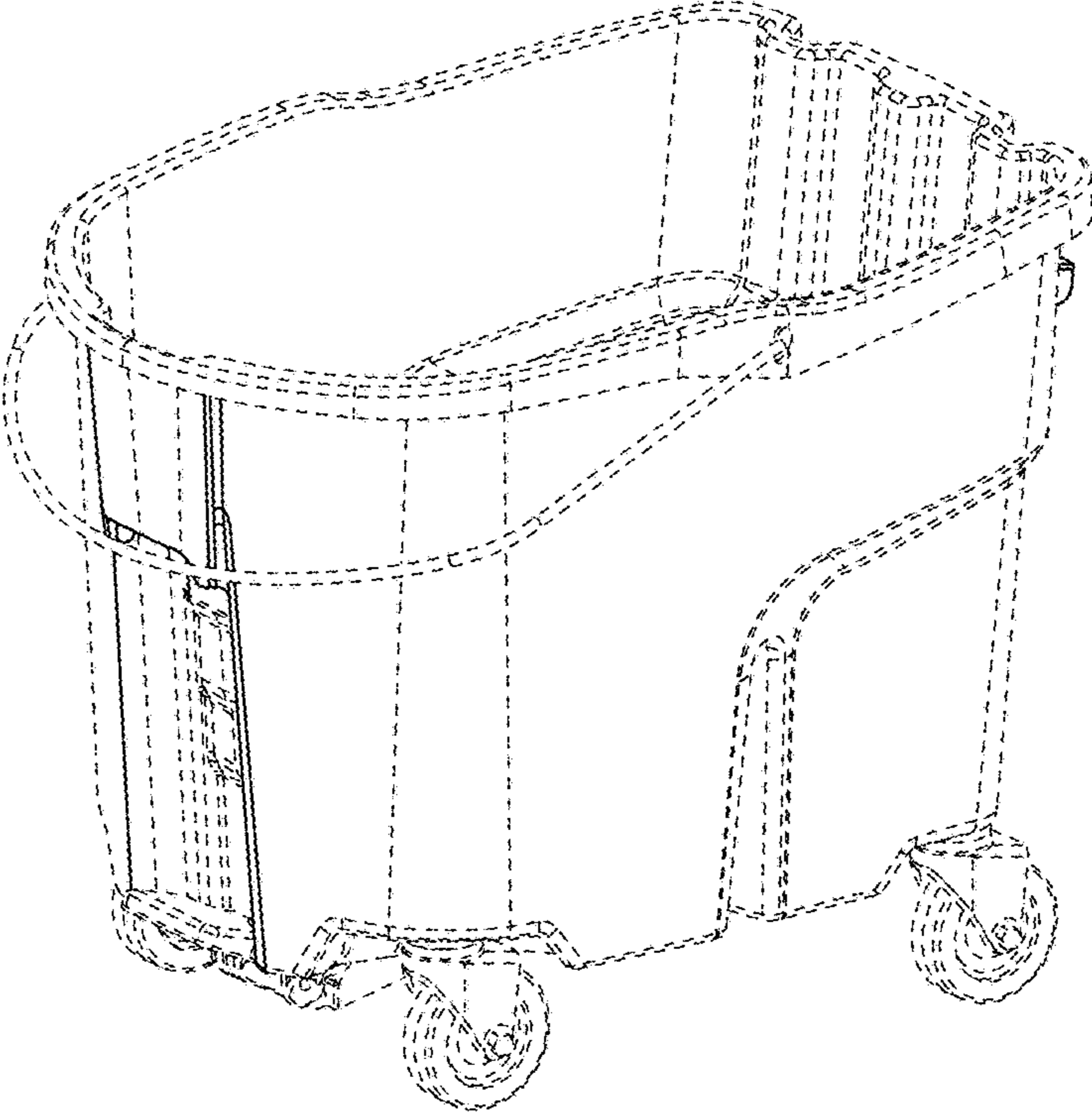


FIG. 2

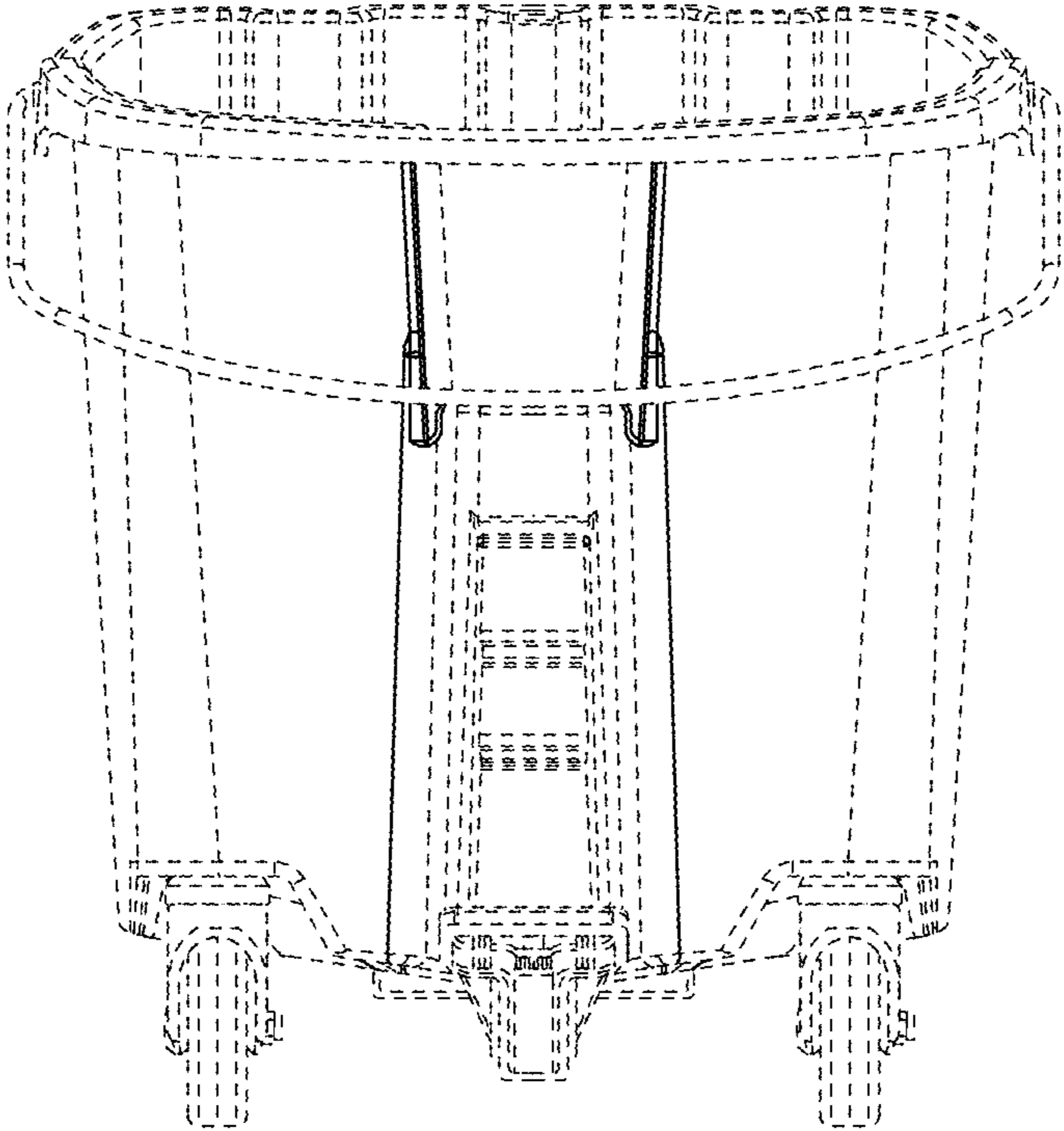


FIG. 3

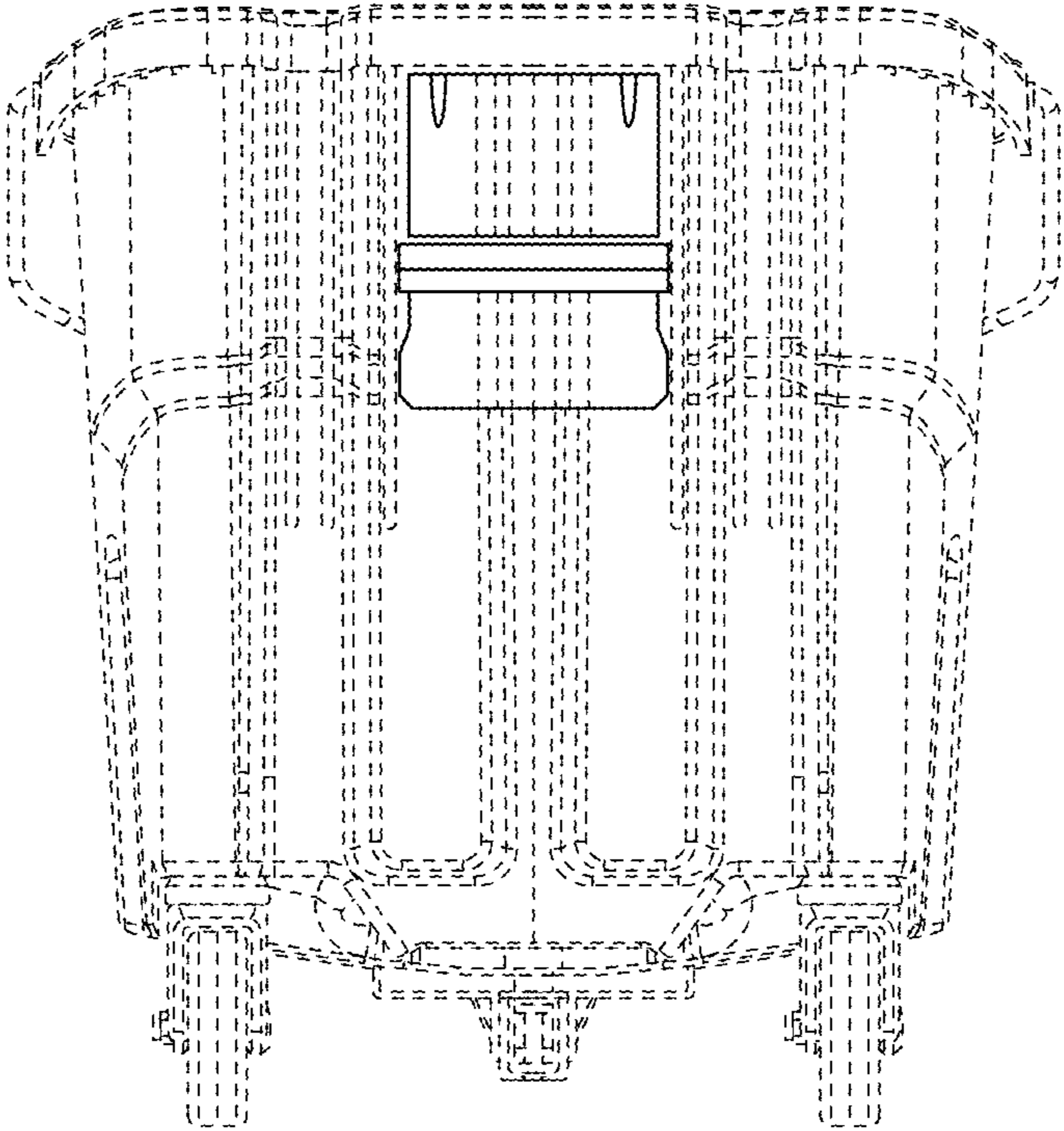


FIG. 4

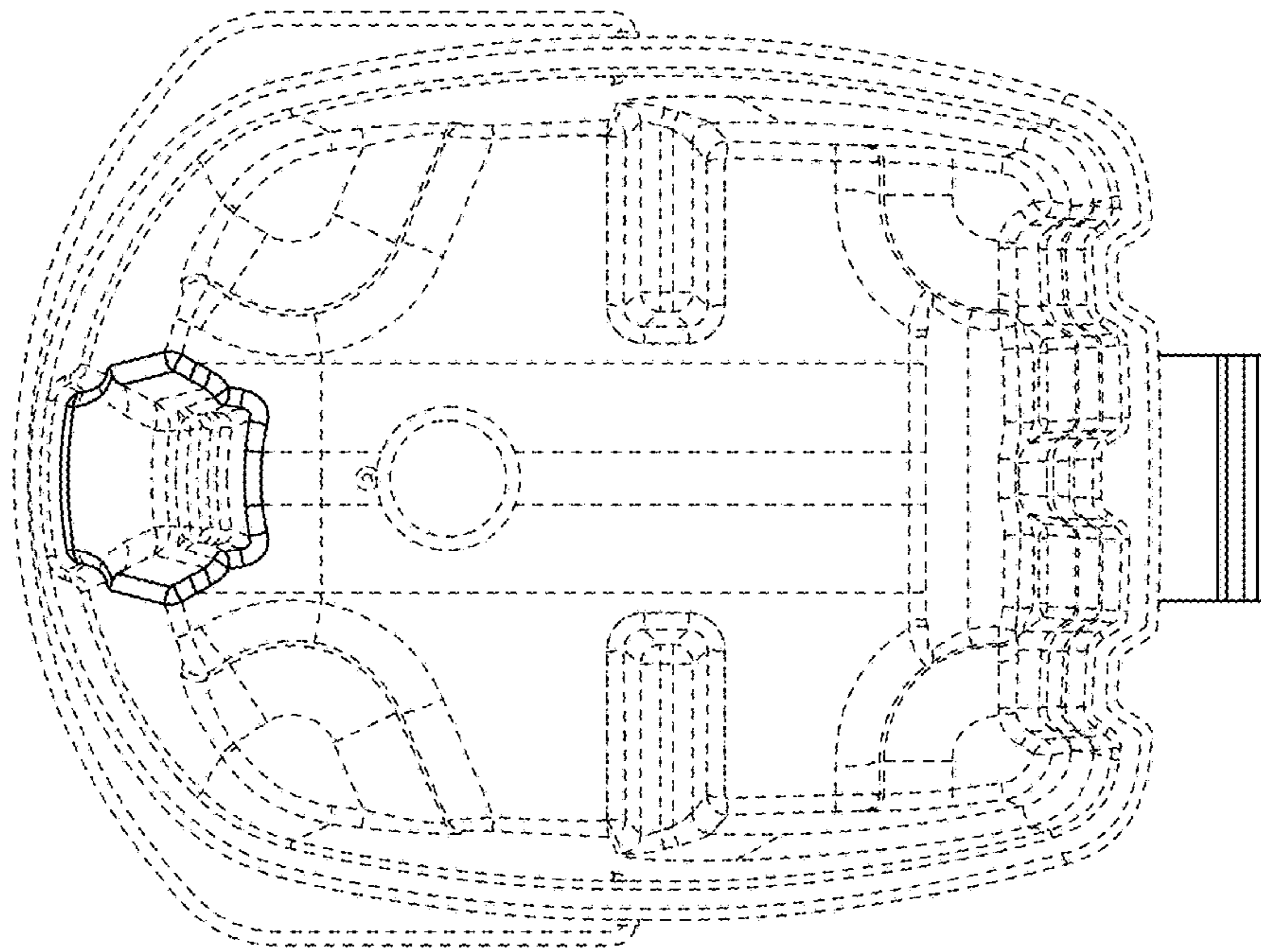


FIG. 5

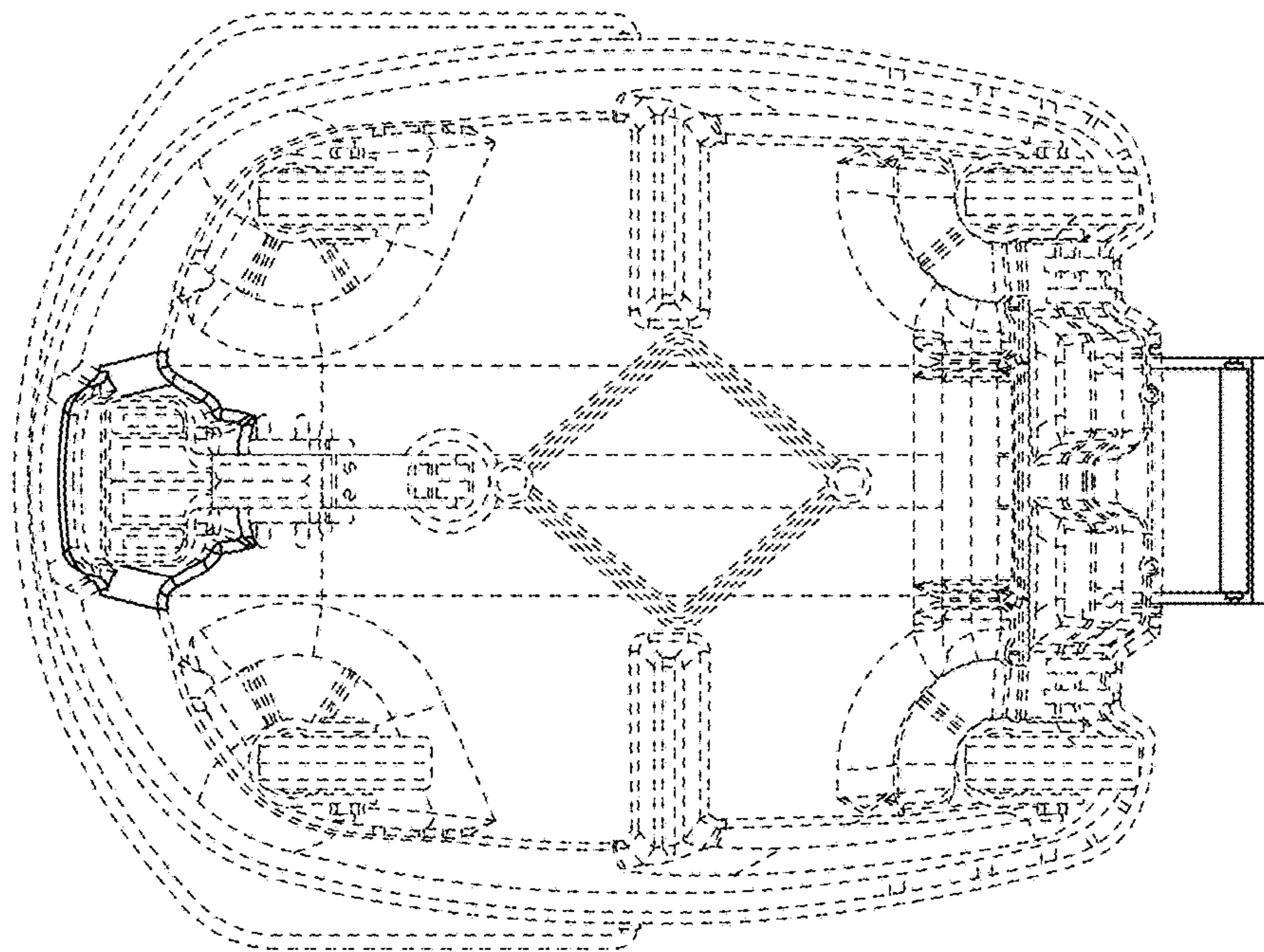


FIG. 6

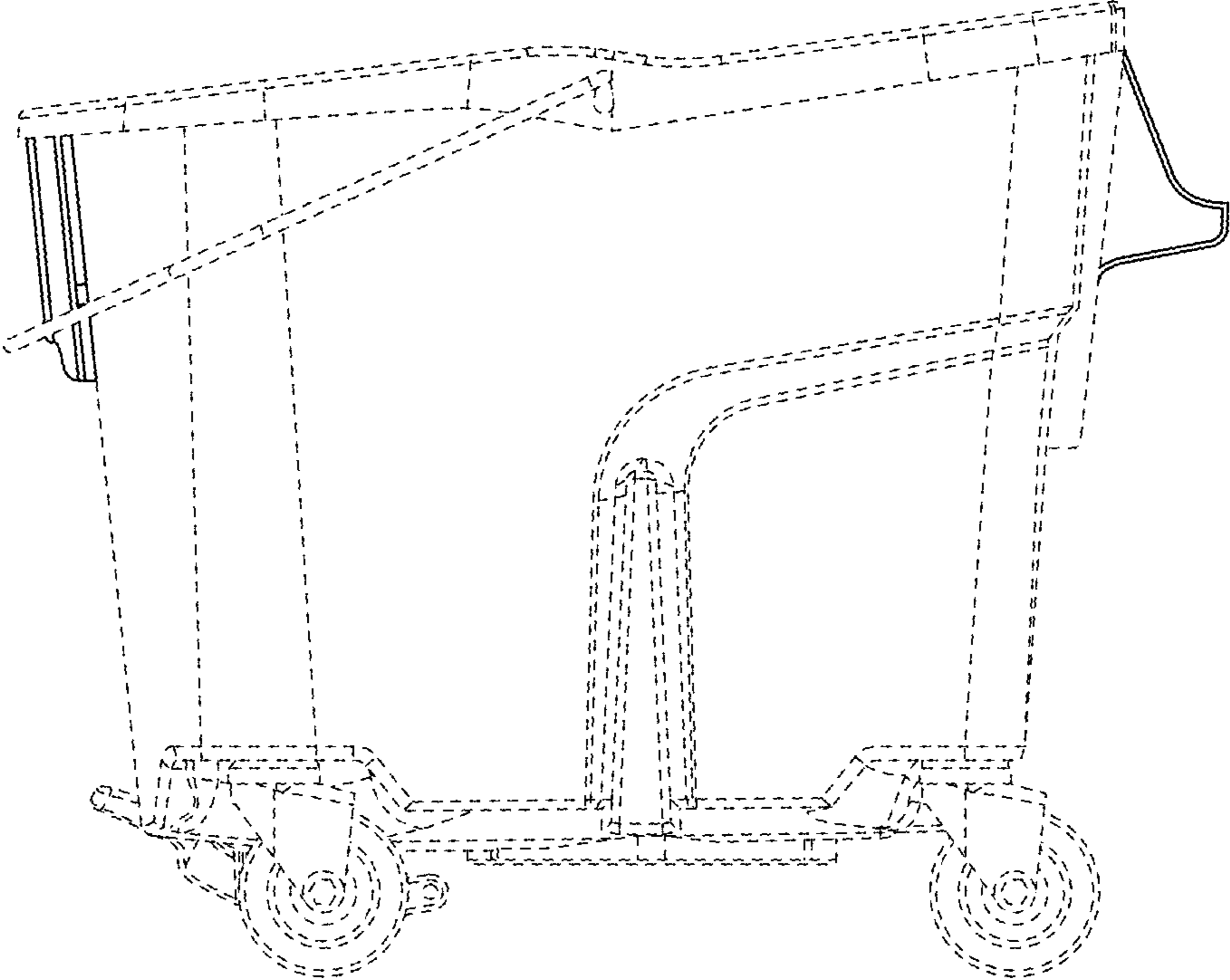


FIG. 7