



US00D818233S

(12) **United States Design Patent**
Palladino et al.

(10) **Patent No.:** **US D818,233 S**
(45) **Date of Patent:** **** May 15, 2018**

(54) **FLOOR CLEANER**

(71) Applicant: **SHARKNINJA OPERATING LLC**,
Newton, MA (US)

(72) Inventors: **Gary Palladino**, Somerville, MA (US);
Dmitry Layevsky, Newton, MA (US)

(73) Assignee: **SharkNinja Operating LLC**,
Needham, MA (US)

(**) Term: **15 Years**

(21) Appl. No.: **29/600,186**

(22) Filed: **Apr. 10, 2017**

Related U.S. Application Data

(63) Continuation of application No. 29/518,396, filed on
Feb. 23, 2015, now Pat. No. Des. 785,265.

(51) **LOC (11) Cl.** **07-05**

(52) **U.S. Cl.**
USPC **D32/50**

(58) **Field of Classification Search**
USPC D32/40-43, 45-46, 50-52
CPC A46B 11/00; A47L 11/34; A47L 13/22;
A47L 13/24; A47L 13/20; A47L 13/256
See application file for complete search history.

(56) **References Cited**

U.S. PATENT DOCUMENTS

2,141,336	A *	12/1938	Bailey	A47L 13/252 15/143.1
D458,427	S	6/2002	Kunkler		
D497,699	S	10/2004	Chi-Hsiang		
D591,921	S *	5/2009	Rosenzweig	A47L 13/225 D32/45
D597,269	S *	7/2009	McNeil	D32/45
D597,717	S	8/2009	Rosenzweig		
D631,217	S *	1/2011	Lavy	D32/45
7,996,948	B2 *	8/2011	Kaminer	A47L 13/20 15/209.1

D656,283	S	3/2012	Lavy		
D657,515	S *	4/2012	McGee	D32/45
D657,516	S *	4/2012	McGee	D32/45
D657,517	S *	4/2012	McGee	D32/45
D657,518	S	4/2012	McGee		
D658,835	S	5/2012	Houghton		

(Continued)

FOREIGN PATENT DOCUMENTS

CN	301826896	2/2012
CN	302387310	4/2013

(Continued)

OTHER PUBLICATIONS

AmazonSmile: Shark 2-in-1 Blast & Scrub Steam Pocket Mop,
https://smile.amazon.com/Shark-Blast-Scrub-Pocket-S4701D/dp/B016BJVAXY/ref=sr_1_1 . . . site visited Jan. 5, 2018.*

(Continued)

Primary Examiner — John Windmuller
Assistant Examiner — John R Yeh
(74) *Attorney, Agent, or Firm* — Grossman Tucker
Perreault & Pflieger, PLLC

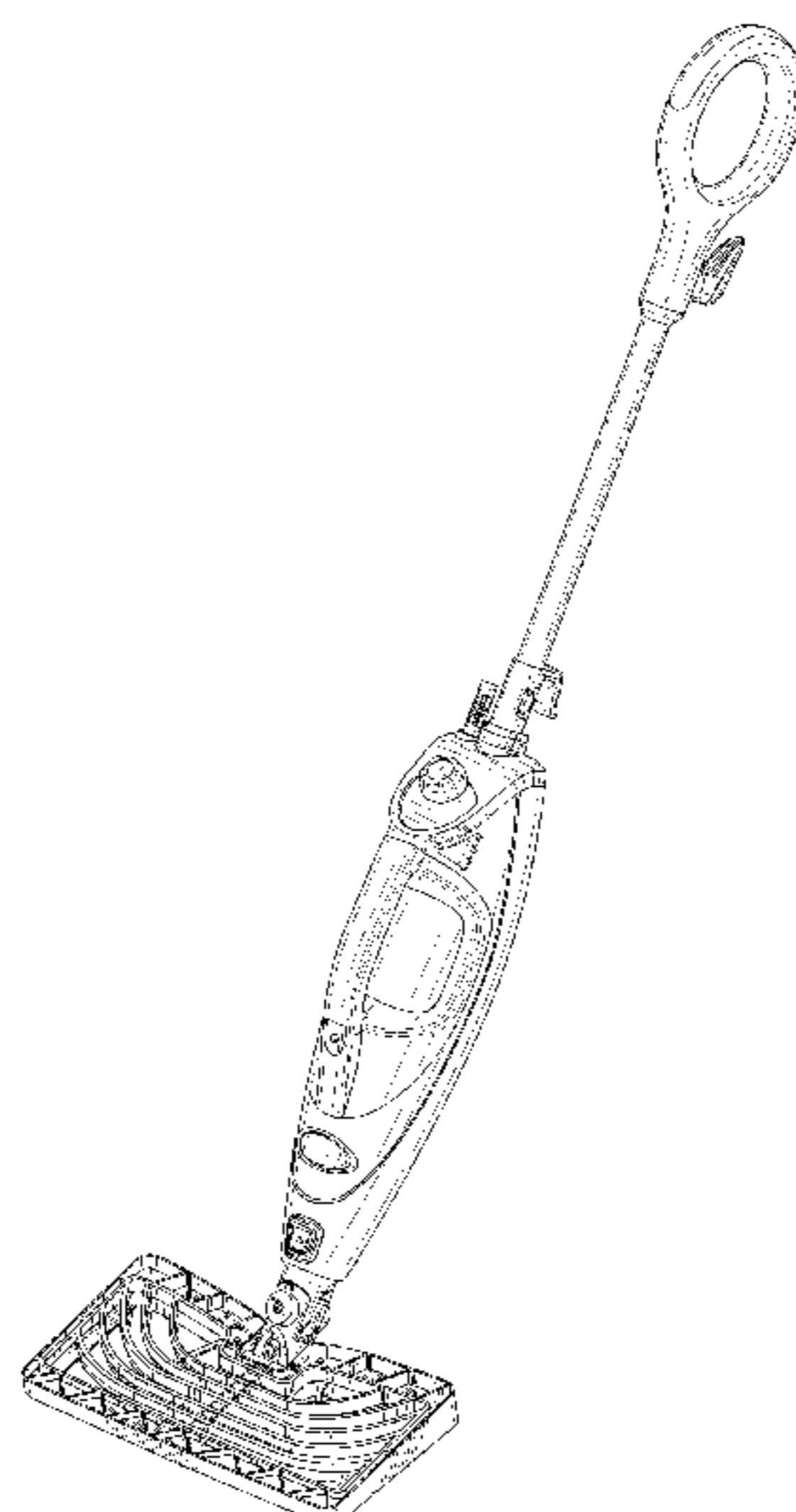
(57) **CLAIM**

The ornamental design for a floor cleaner, as shown and described.

DESCRIPTION

FIG. 1 is an elevational perspective view of a floor cleaner in accordance with our design;
FIG. 2 is a front view thereof;
FIG. 3 is a rear view thereof;
FIG. 4 is a right side view thereof;
FIG. 5 is a left side view thereof;
FIG. 6 is a top view thereof; and,
FIG. 7 is a bottom view thereof.

1 Claim, 6 Drawing Sheets



(56)

References Cited

U.S. PATENT DOCUMENTS

D661,034 S * 5/2012 Ediger D32/45
 D661,035 S 5/2012 McGee
 D673,337 S 12/2012 Chow
 8,425,137 B1 4/2013 Sampaio
 D685,557 S 7/2013 Rosenzweig
 D685,558 S 7/2013 deBlois
 D685,965 S * 7/2013 Houghton D32/45
 D685,966 S * 7/2013 Houghton D32/45
 D685,967 S 7/2013 Houghton
 8,534,301 B2 9/2013 Nottingham
 D699,011 S * 2/2014 deBlois D32/45
 8,671,510 B2 3/2014 Han
 D704,399 S 5/2014 Crawley
 D707,002 S * 6/2014 Hughes D32/45
 D711,058 S 8/2014 Crawley
 D719,709 S * 12/2014 Gidwell D32/40
 9,044,132 B2 * 6/2015 Kaminer A47L 13/20
 D747,054 S * 1/2016 Seifts D32/45
 D764,732 S * 8/2016 Chei D32/45
 D765,332 S * 8/2016 Niedzwecki D32/45
 9,420,933 B2 * 8/2016 Kellis A47L 13/225
 2004/0071490 A1 4/2004 Vosbikian
 2007/0136984 A1 6/2007 Hsu
 2009/0320231 A1 12/2009 Rosenzweig
 2010/0050367 A1 3/2010 Tsai
 2011/0240068 A1 * 10/2011 Rosenzweig A47L 13/225
 134/105
 2013/0091647 A1 * 4/2013 Yuan F22B 1/284
 15/98
 2013/0160228 A1 * 6/2013 Kaminer A47L 13/20
 15/209.1

2013/0167319 A1* 7/2013 Tang A47L 13/225
 15/320
 2013/0232719 A1 9/2013 Luedke
 2014/0245554 A1* 9/2014 Kaminer A47L 13/20
 15/228
 2015/0013098 A1 1/2015 Vrdoljak
 2015/0183108 A1 7/2015 Thorne
 2016/0157693 A1* 6/2016 Hess A47L 9/248
 134/30

FOREIGN PATENT DOCUMENTS

CN 302738945 2/2014
 JP 1358258 S 5/2009

OTHER PUBLICATIONS

Examiner Notice from Japanese Design No. 2015-013020 dated Nov. 24, 2015.
 Amazon.com—Bissell Steam Mop Hard-Floor Cleaner, online, review date 11/2/2209, http://www.amazon.com/Bissell-Steam-Hard-Floor-Cleaner-1867-7/dp/BOOOR_PVHZU/ref=sr_1_57?s=vacuums&ie=UTF8&qid=1459206024&sr=1-57&keywords=shark+steam+mop, [site visited Mar. 28, 2016 7:02:03 PM].
 Amazon.com—Shark 2-in-1 Blast & Scrub Steam Pocket Mop, online, review date Dec. 24, 2015, http://www.amazon.com/Shark-Blast-Scrub-Steam-Pocket/dp/B016BJVAXY/ref=cm_cr_arp_d_product_top?ie=UTF8, site visited [Mar. 28, 2016 6:45:55 PM].

* cited by examiner

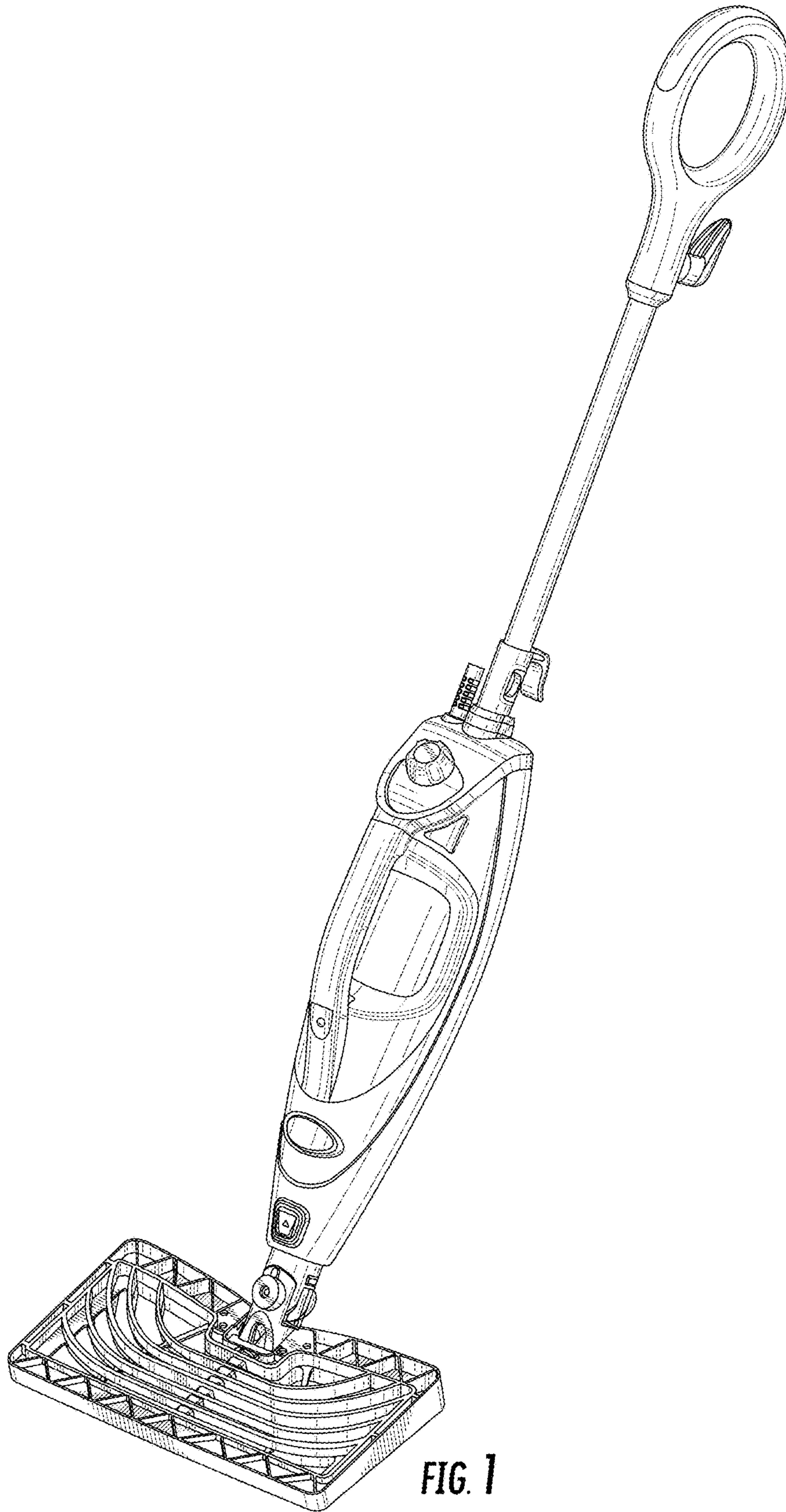


FIG. 1

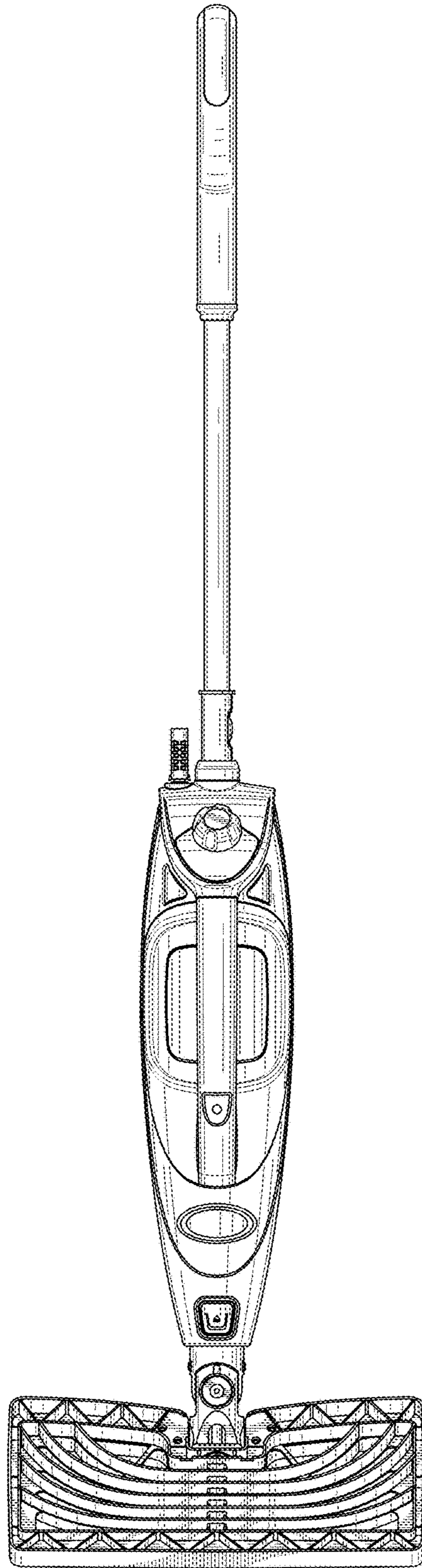


FIG. 2

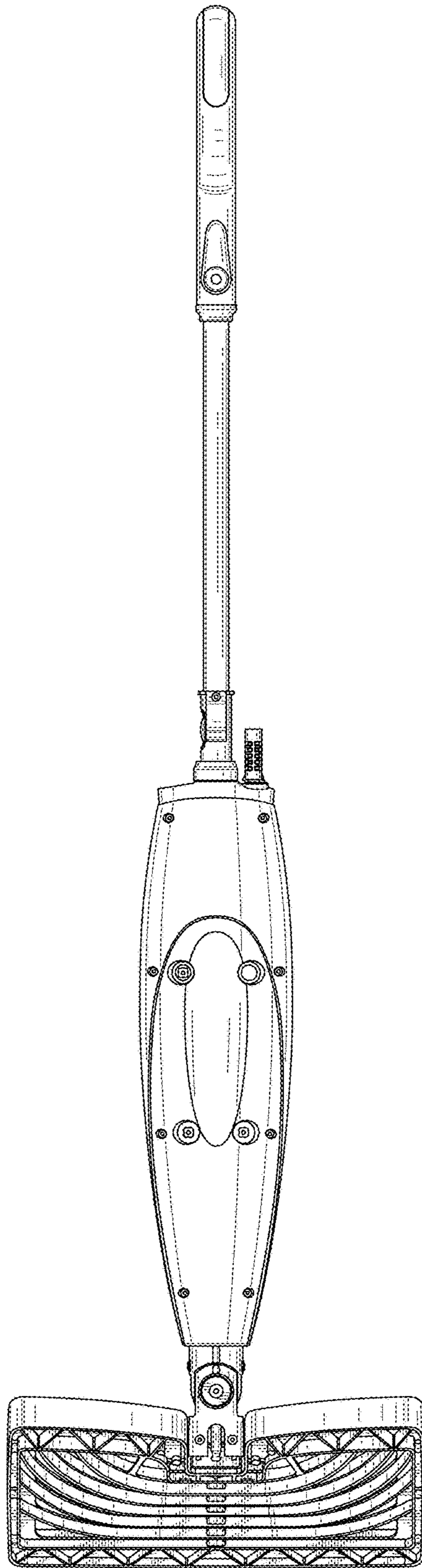


FIG. 3

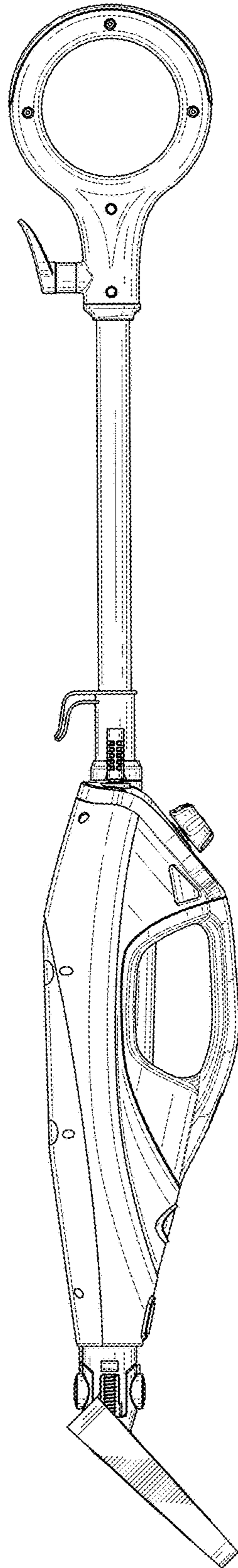


FIG. 4

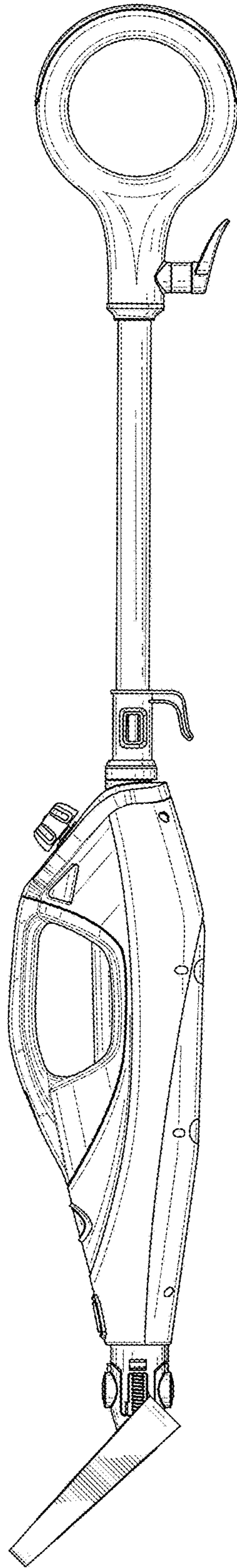


FIG. 5

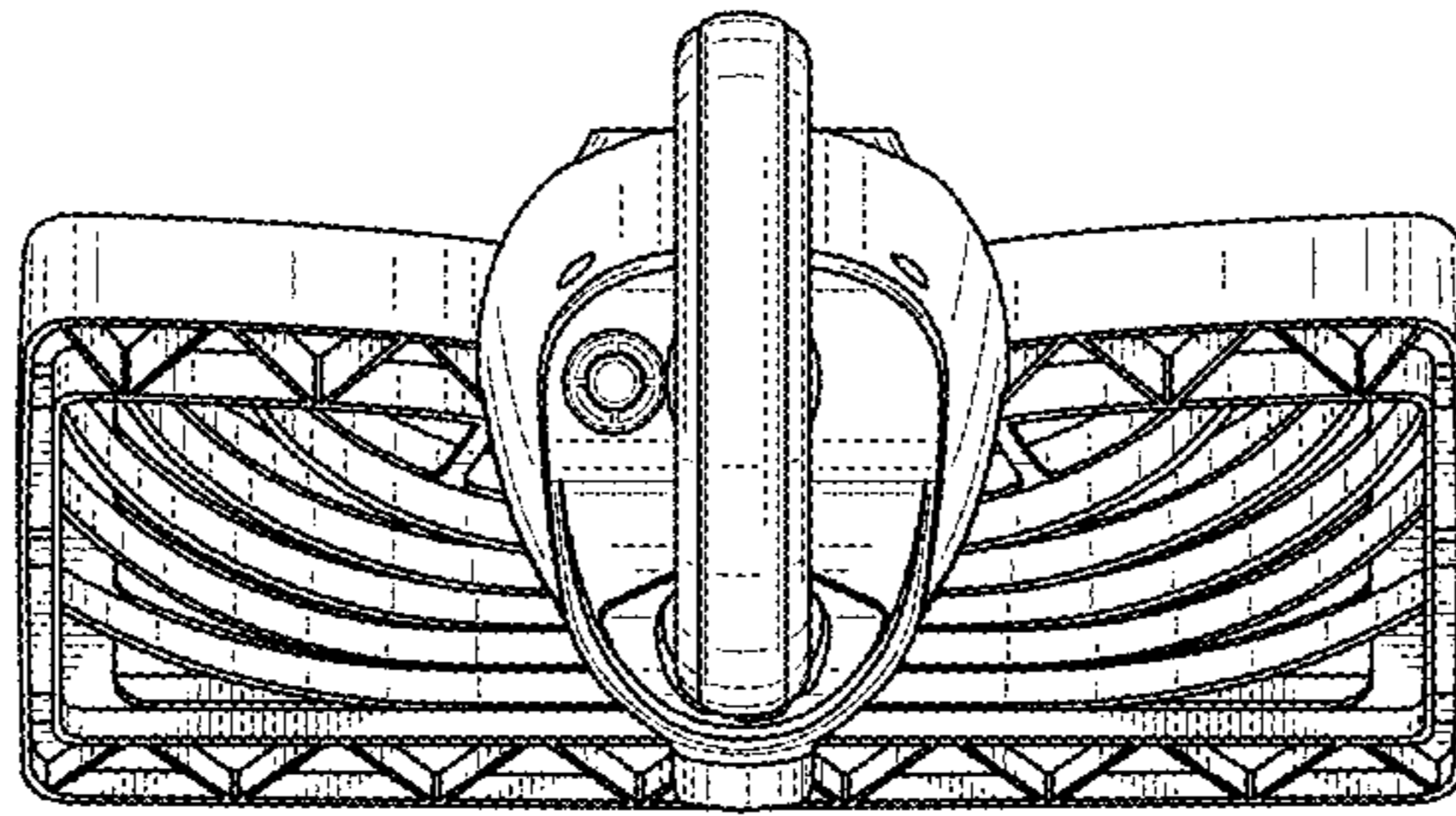


FIG. 6

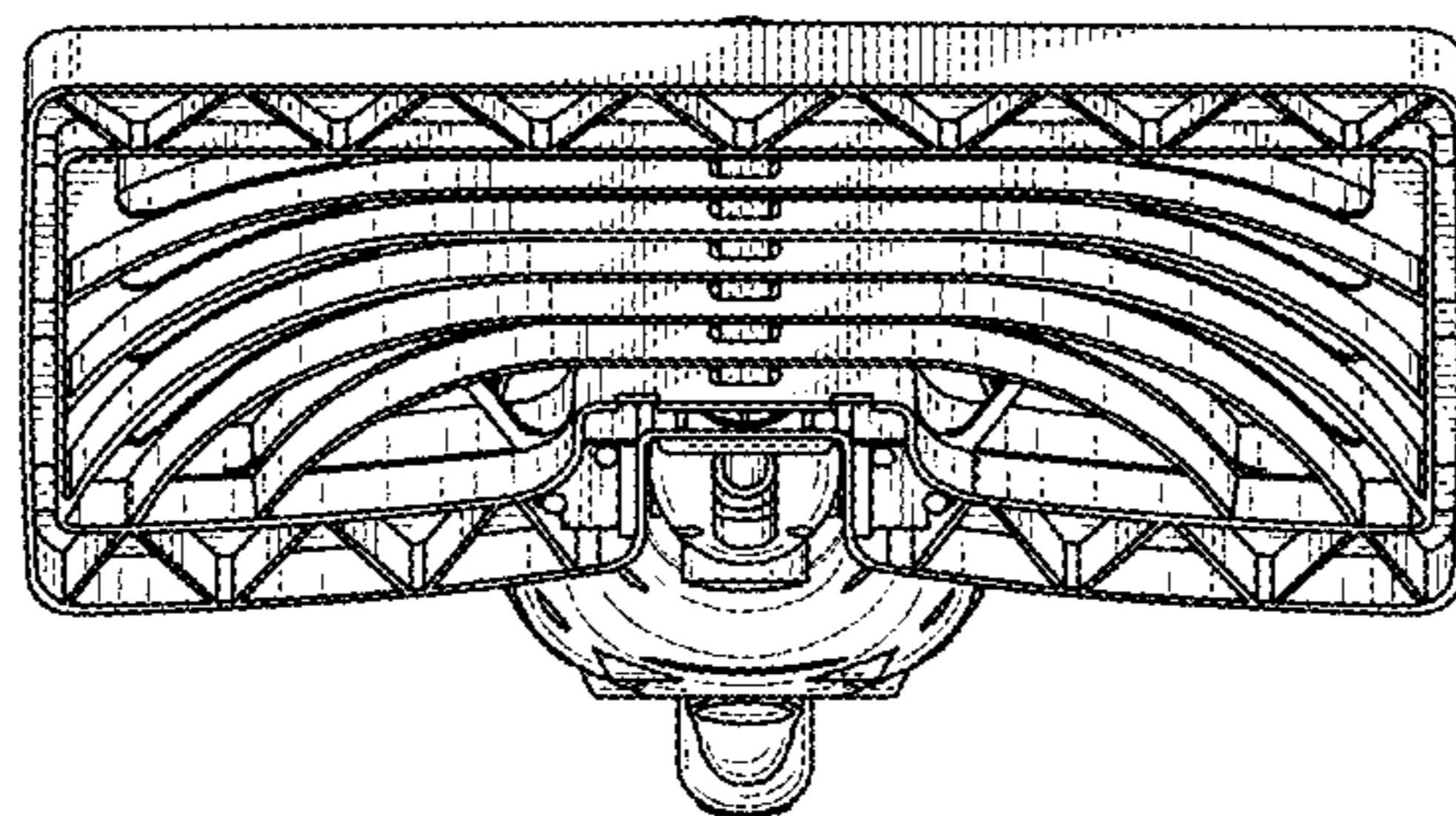


FIG. 7